



US00D346372S

**United States Patent** [19]  
**Abbott**

[11] **Patent Number: Des. 346,372**

[45] **Date of Patent: \*\* Apr. 26, 1994**

[54] **LOCK**

[56] **References Cited**

**U.S. PATENT DOCUMENTS**

[76] **Inventor: Grantley G. Abbott, 19B/50 Whaling Road, North Sydney, New South Wales, 2060, Australia**

D. 309,897 8/1990 Perry ..... D14/114  
D. 310,830 9/1990 Perry ..... D14/114  
4,656,848 4/1987 Rose ..... 20/58

[\*\*] **Term: 14 Years**

*Primary Examiner*—Brian N. Vinson  
*Attorney, Agent, or Firm*—Albert C. Smith

[21] **Appl. No.: 940,172**

[57] **CLAIM**

The ornamental design for a lock, as described and shown.

[22] **Filed: Sep. 3, 1992**

**DESCRIPTION**

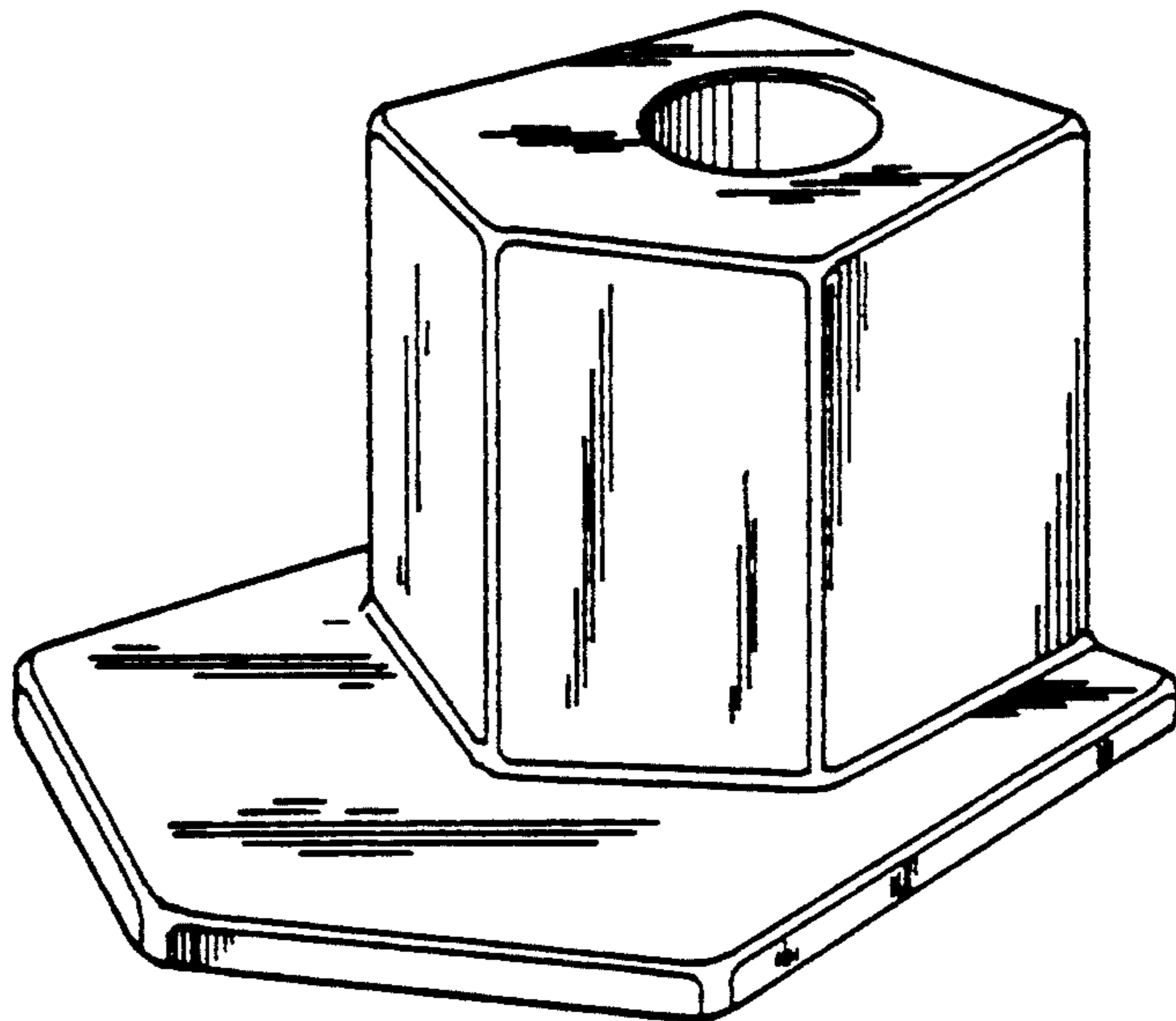
[30] **Foreign Application Priority Data**

Mar. 13, 1992 [AU] Australia ..... 626/92

[52] **U.S. Cl.** ..... **D14/114; D8/343**

[58] **Field of Search** ..... **D8/330-331, D8/343; 70/57, 57.1, 58; 211/4; D14/114**

FIG. 1 is a perspective view of the illustrated embodiment of the lock;  
FIG. 2 is a plan view of the lock of FIG. 1;  
FIG. 3 is a front view of the lock of FIG. 1;  
FIG. 4 is an underside view of the lock of FIG. 1;  
FIG. 5 is a rear view of the lock of FIG. 1; and,  
FIG. 6 is a side view(s) of the lock of FIG. 1.



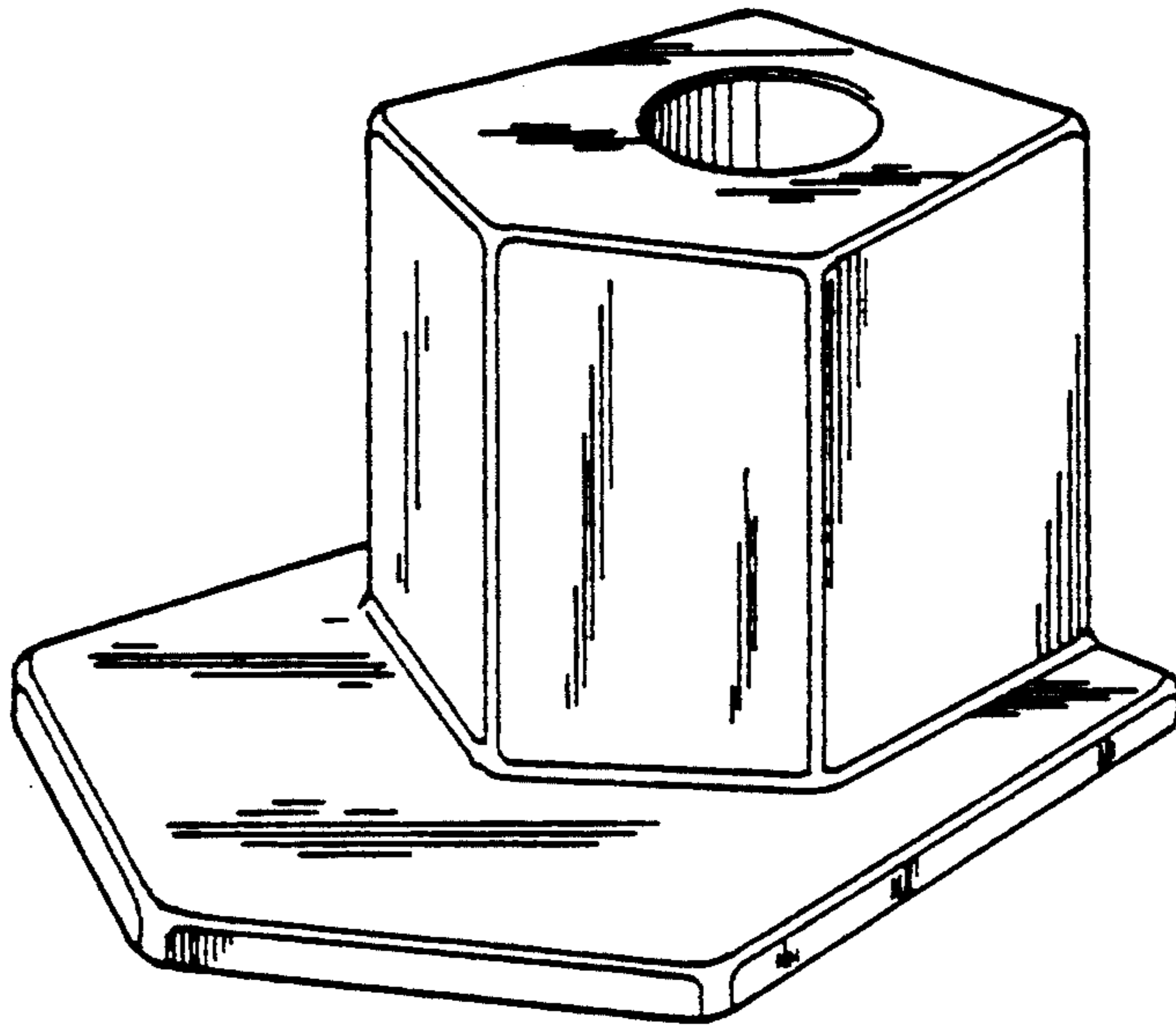


FIG. 1

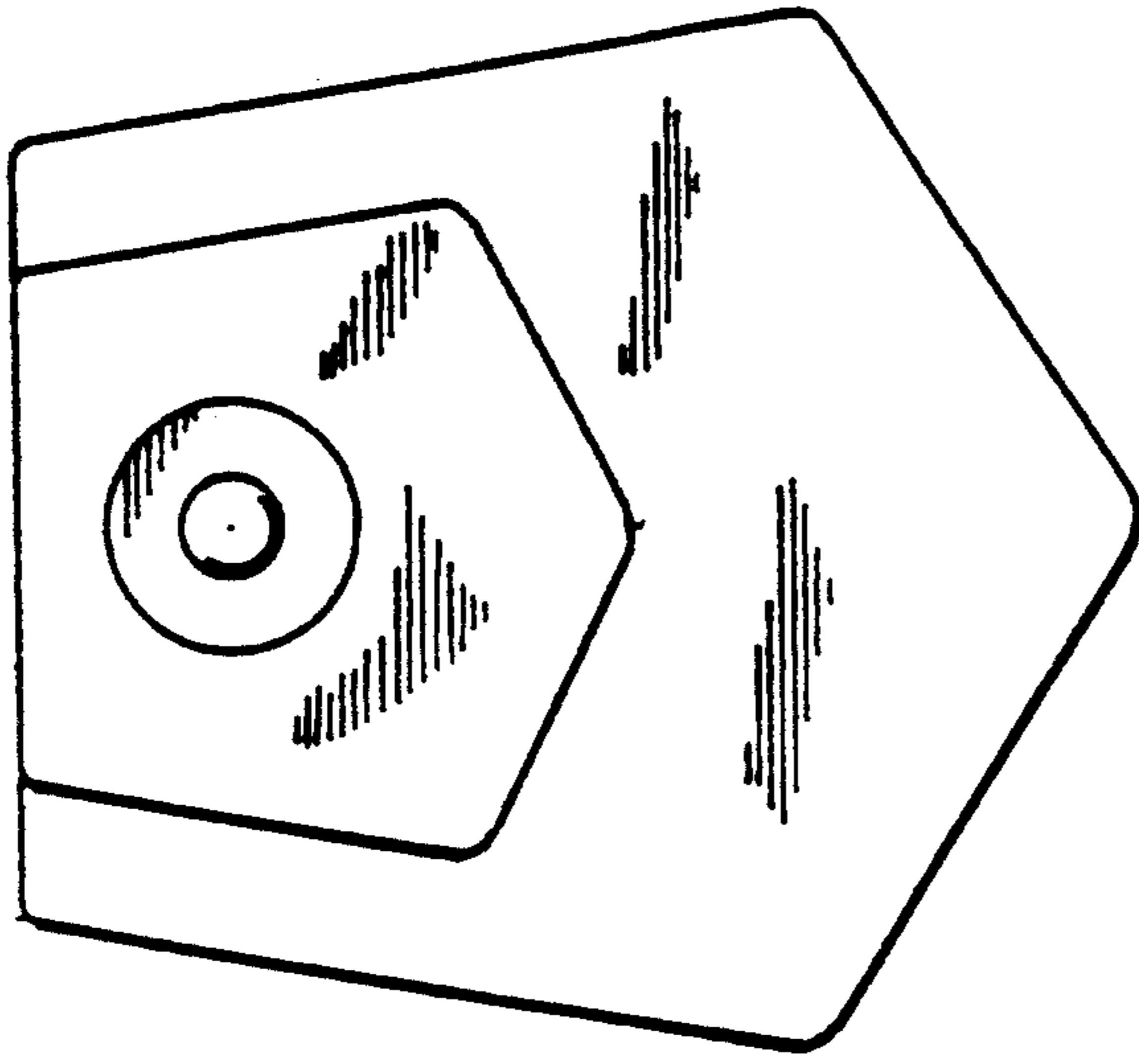


FIG. 2

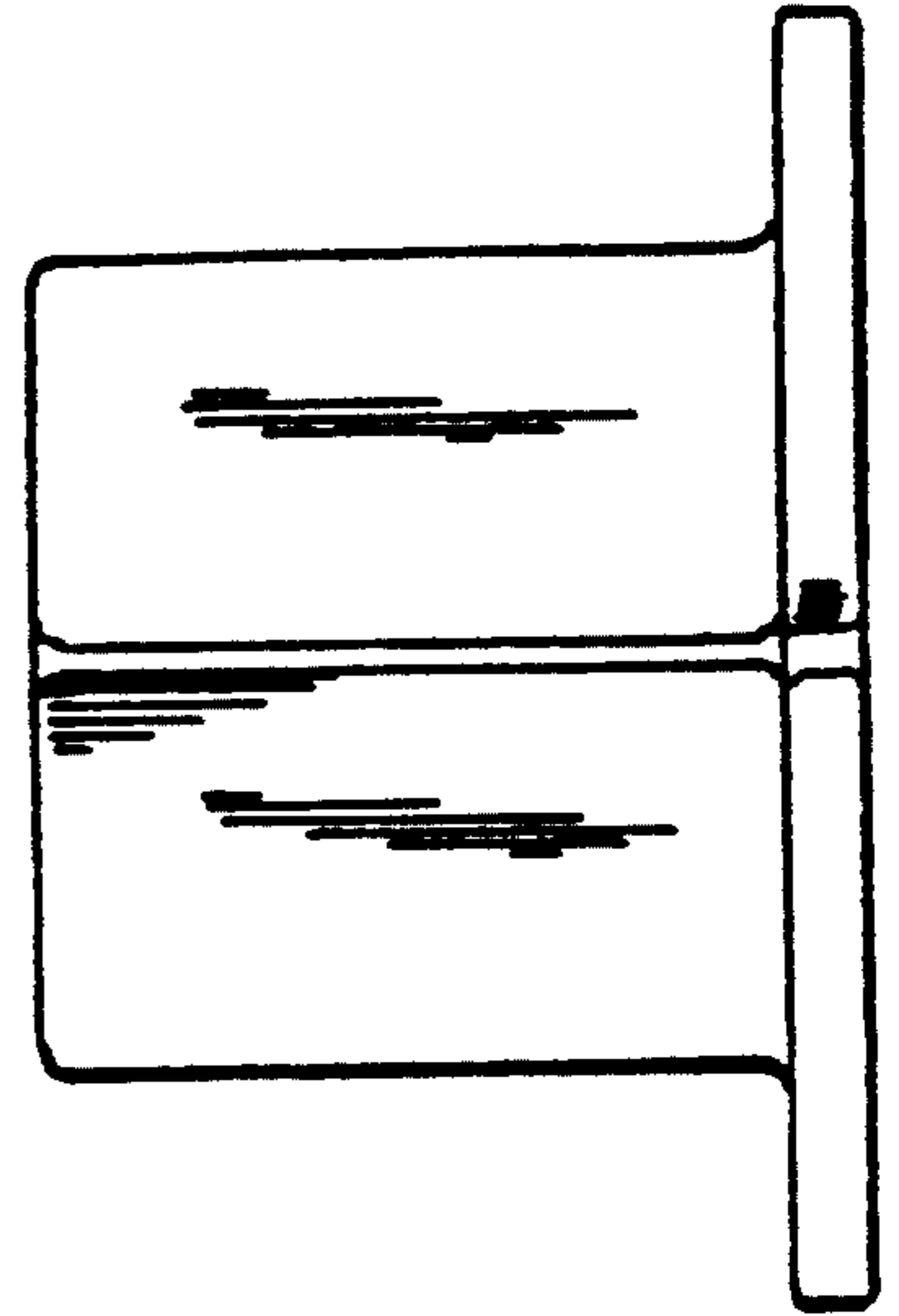


FIG. 3

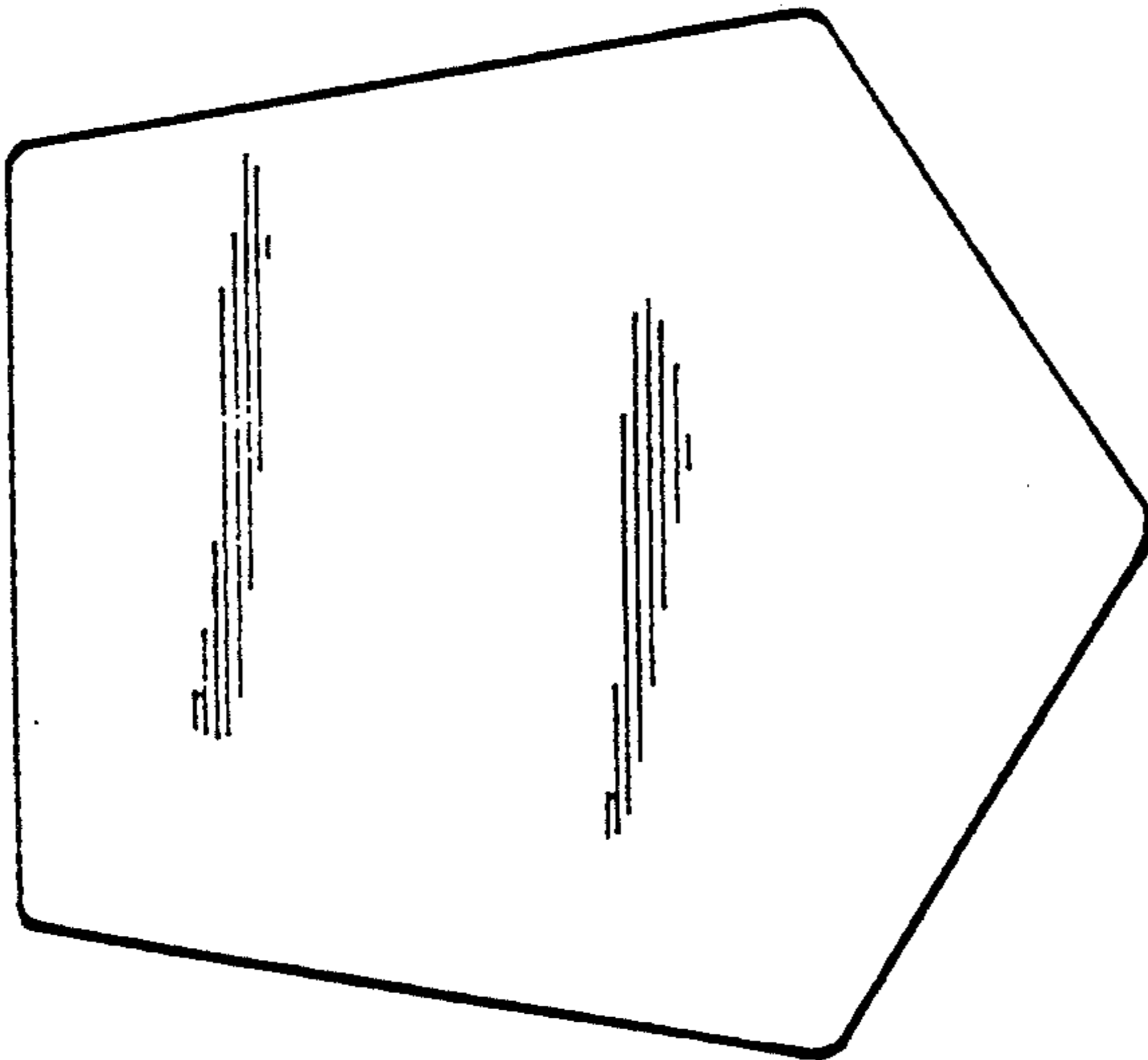


FIG. 4

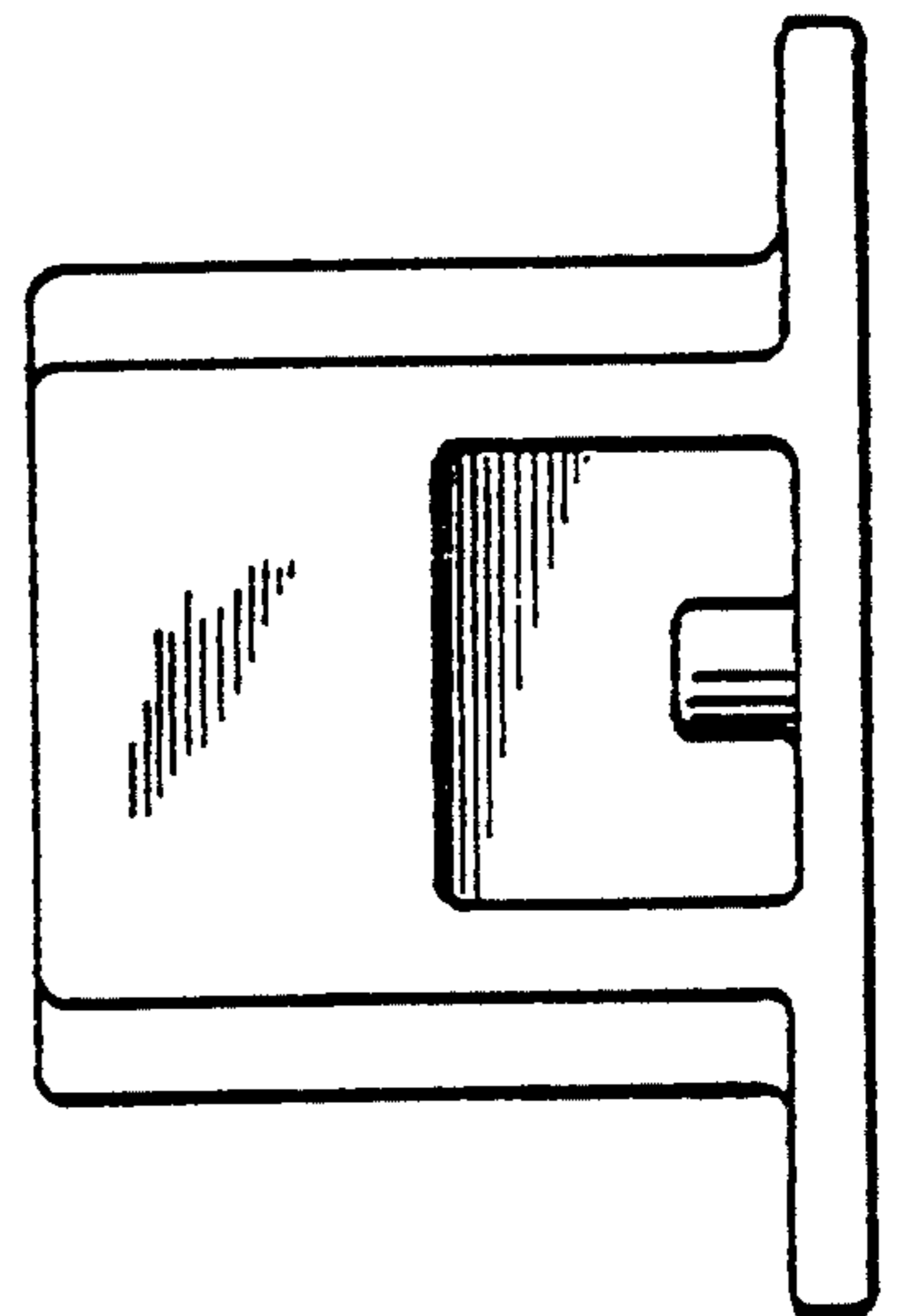


FIG. 5

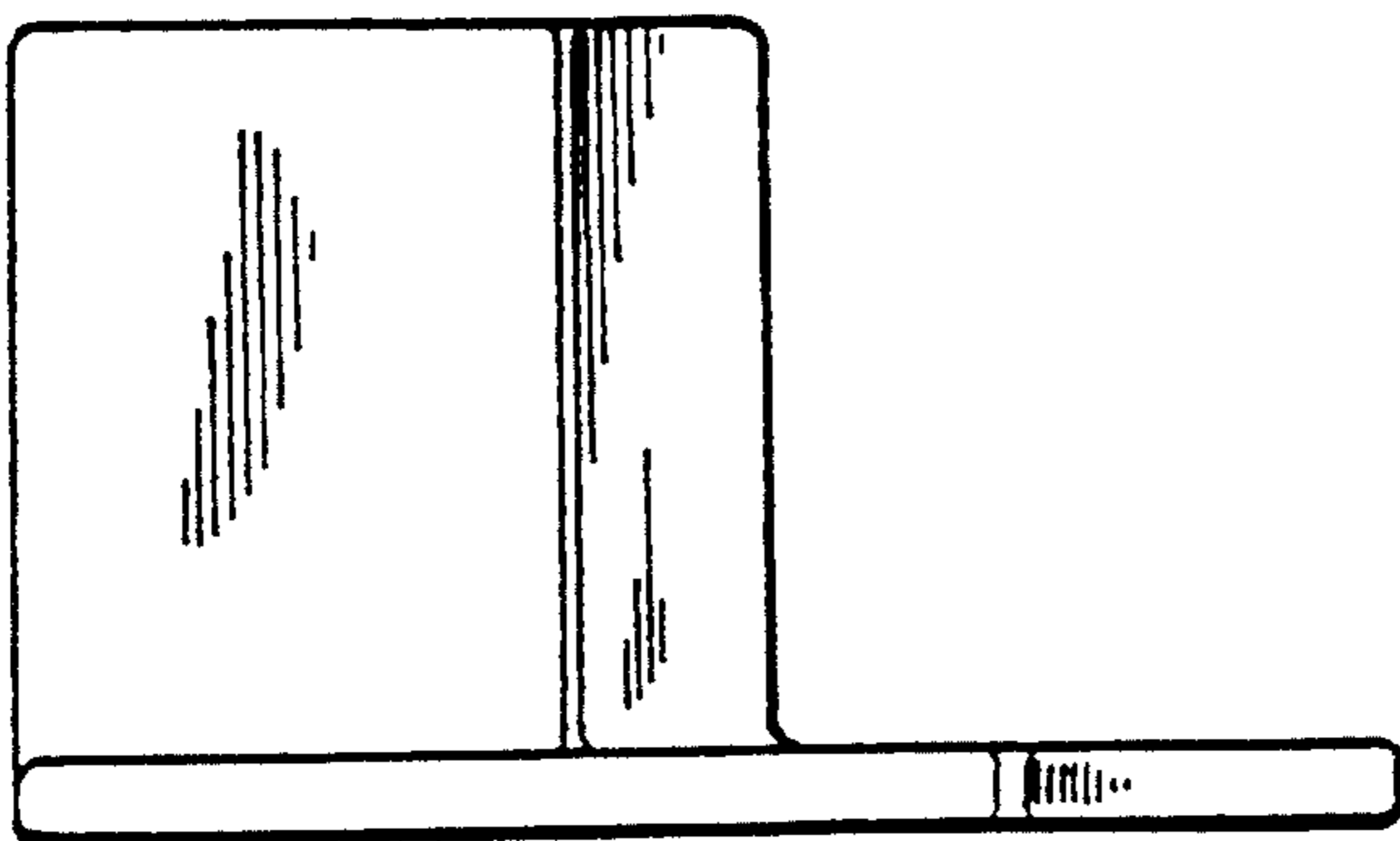


FIG. 6