



US00D346370S

United States Patent [19]

[11] Patent Number: **Des. 346,370**

Hetfield et al.

[45] Date of Patent: **** Apr. 26, 1994**

[54] **NETWORK MULTIPLEXOR FOR AN OFFICE ENVIRONMENT**

[75] Inventors: **Margaret L. Hetfield**, Arlington; **Stuart K. Morgan**, Westford, all of Mass.

[73] Assignee: **Digital Equipment Corporation**, Maynard, Mass.

[**] Term: **14 Years**

[21] Appl. No.: **776,733**

[22] Filed: **Oct. 15, 1991**

[52] U.S. Cl. **D14/107; D13/184**

[58] Field of Search **361/331-335, 361/380-385, 390-395; 439/77; D14/107; D13/184, 152, 147**

[56] **References Cited**

U.S. PATENT DOCUMENTS

- D. 303,246 9/1989 Freeman et al. D13/147
- D. 303,252 9/1989 Shih D14/107

- D. 304,331 10/1989 Pogue et al. D14/107
- D. 311,389 10/1990 Festa et al. D14/107
- D. 313,013 12/1990 Krietzman D13/184 X
- D. 326,447 5/1992 Hofland et al. D14/107
- D. 329,426 9/1992 Hutton D14/107

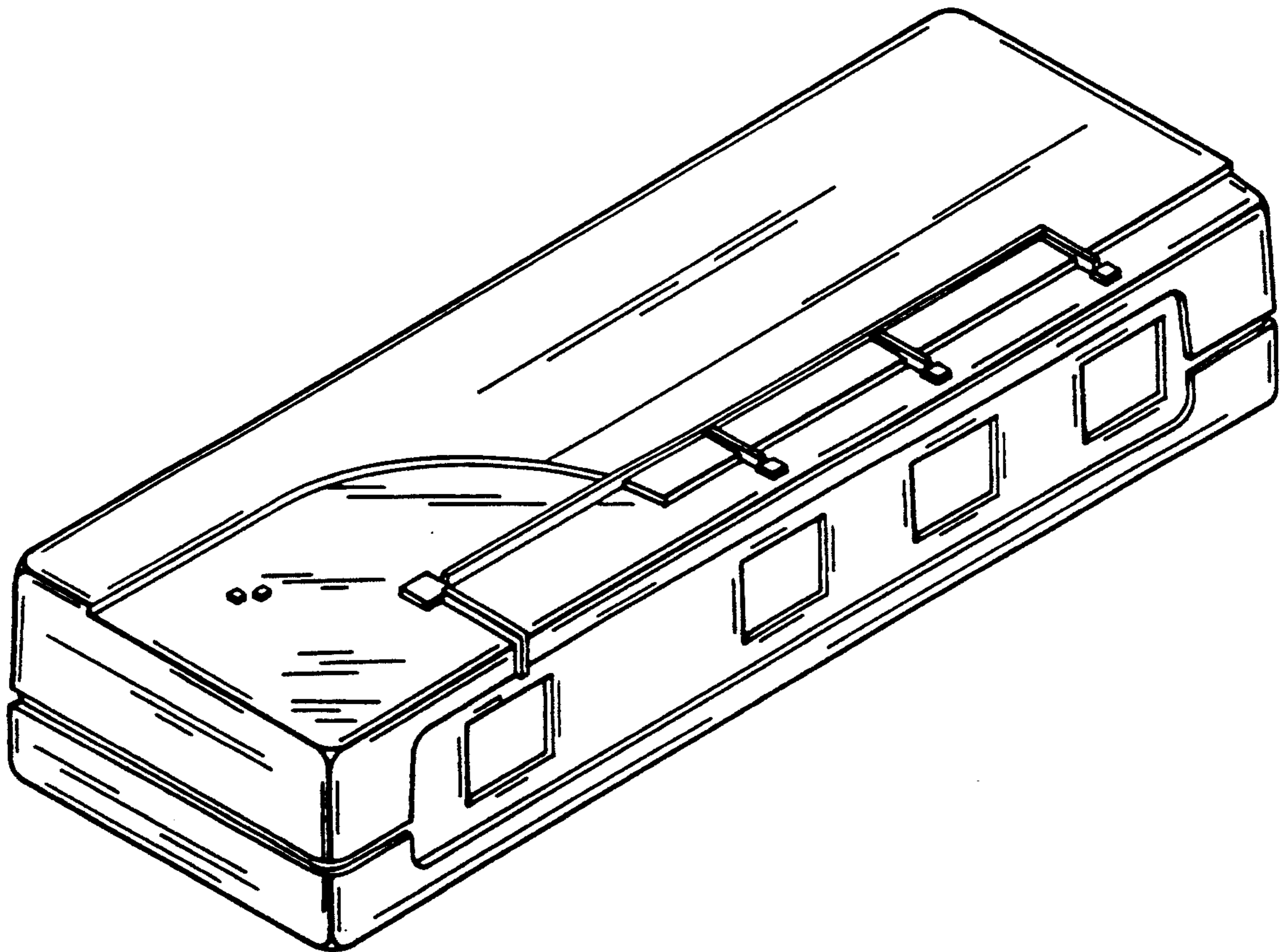
Primary Examiner—Wallace R. Burke
Assistant Examiner—Freda S. Nunn
Attorney, Agent, or Firm—Richard J. Paciulan; Barry N. Young

[57] **CLAIM**

The ornamental design for an network multiplexor for an office environment, as shown and described.

DESCRIPTION

FIG. 1 is a reduced top, front, left side perspective view of a network multiplexor for an office environment showing our new design;
FIG. 2 is a left side view thereof;
FIG. 3 is a right side view thereof;
FIG. 4 is a front view thereof;
FIG. 5 is a top plan view thereof; and,
FIG. 6 is a rear view thereof.



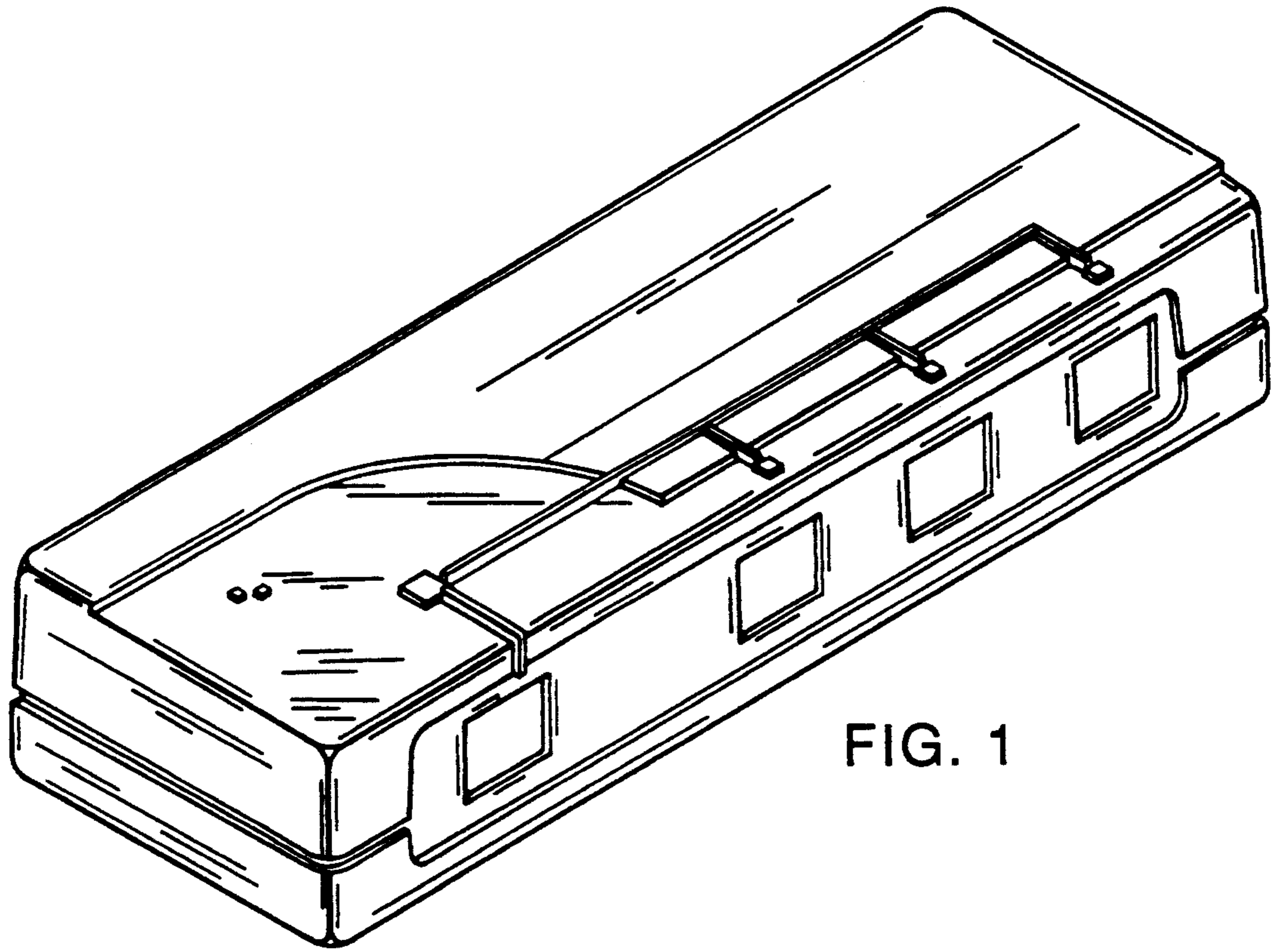


FIG. 1

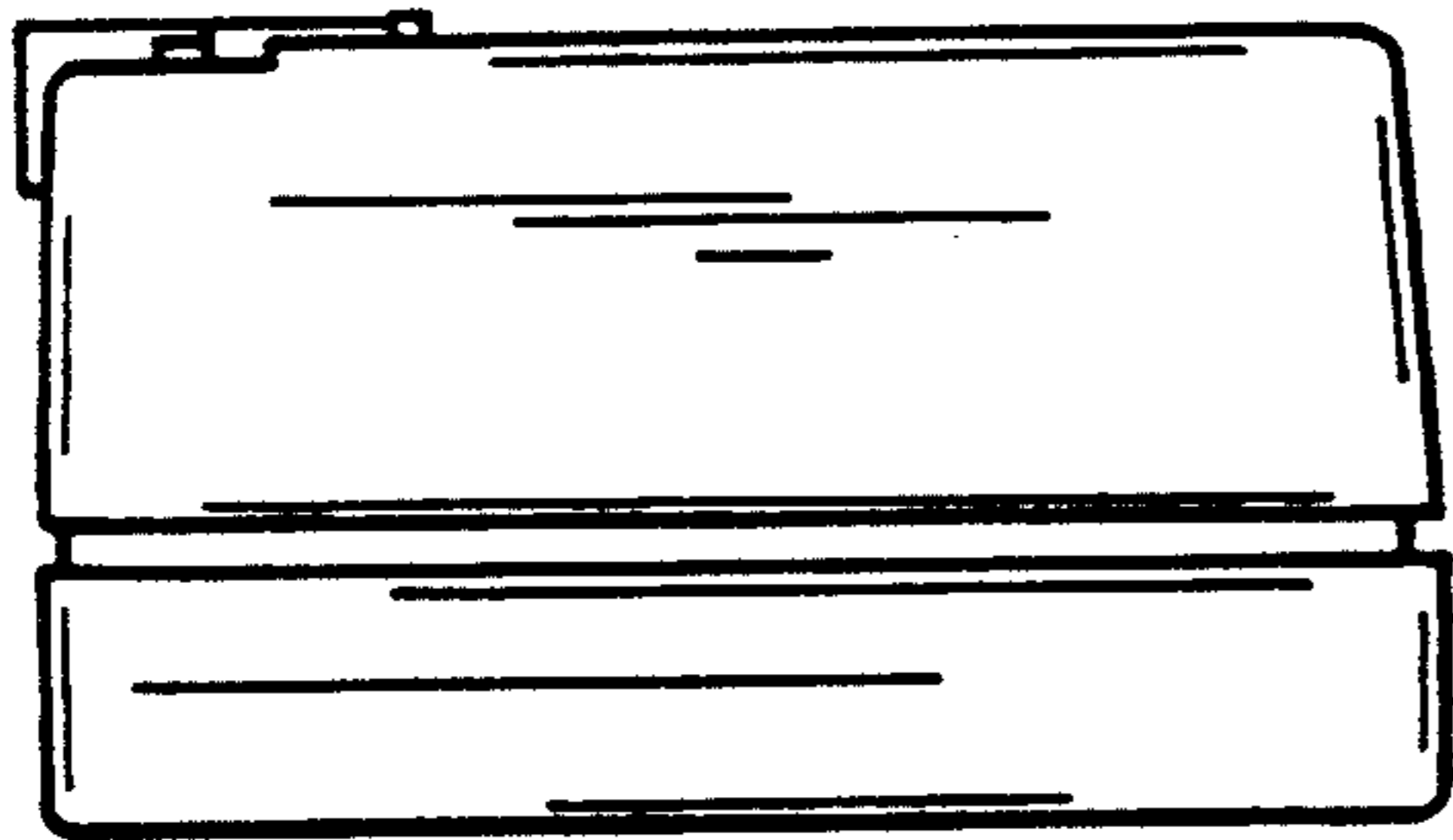


FIG. 2

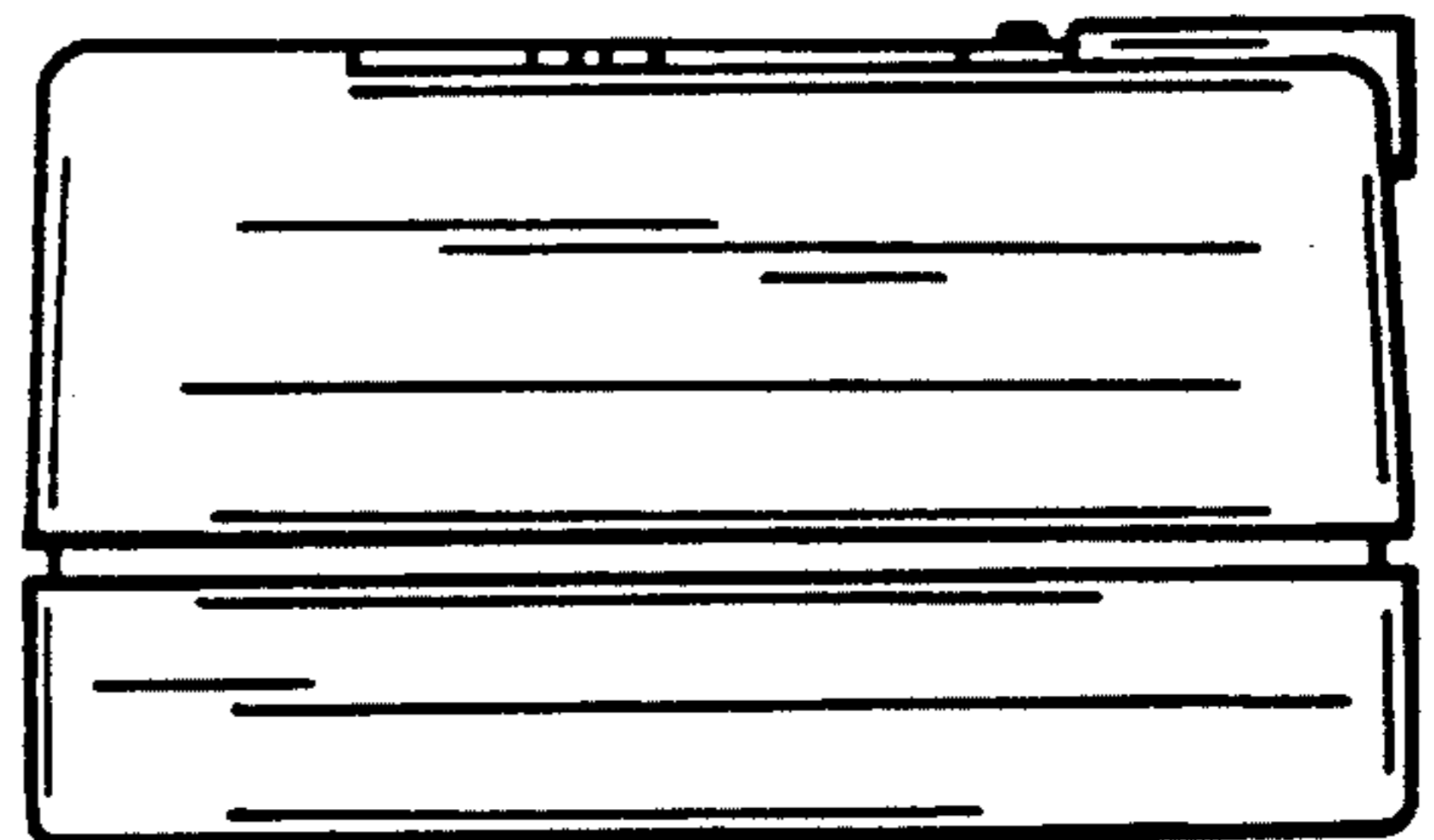


FIG. 3

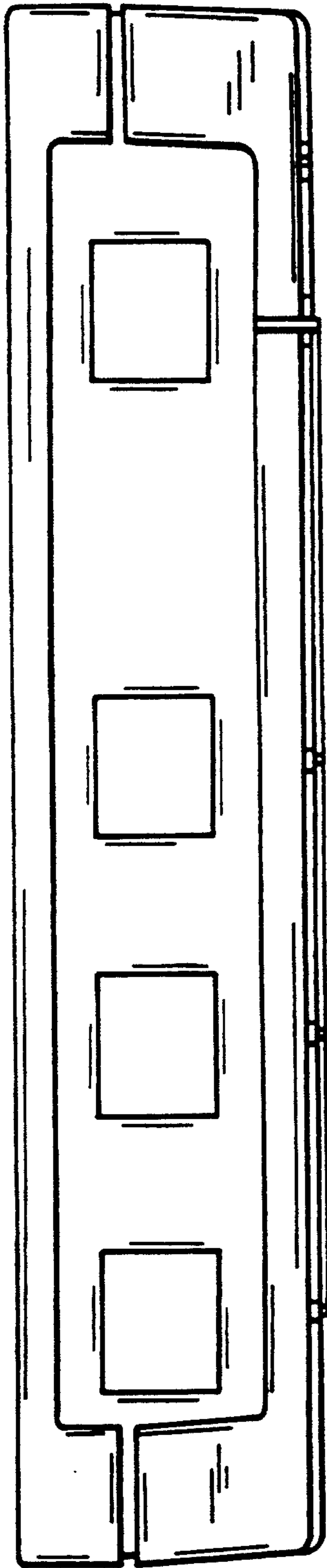


FIG. 4

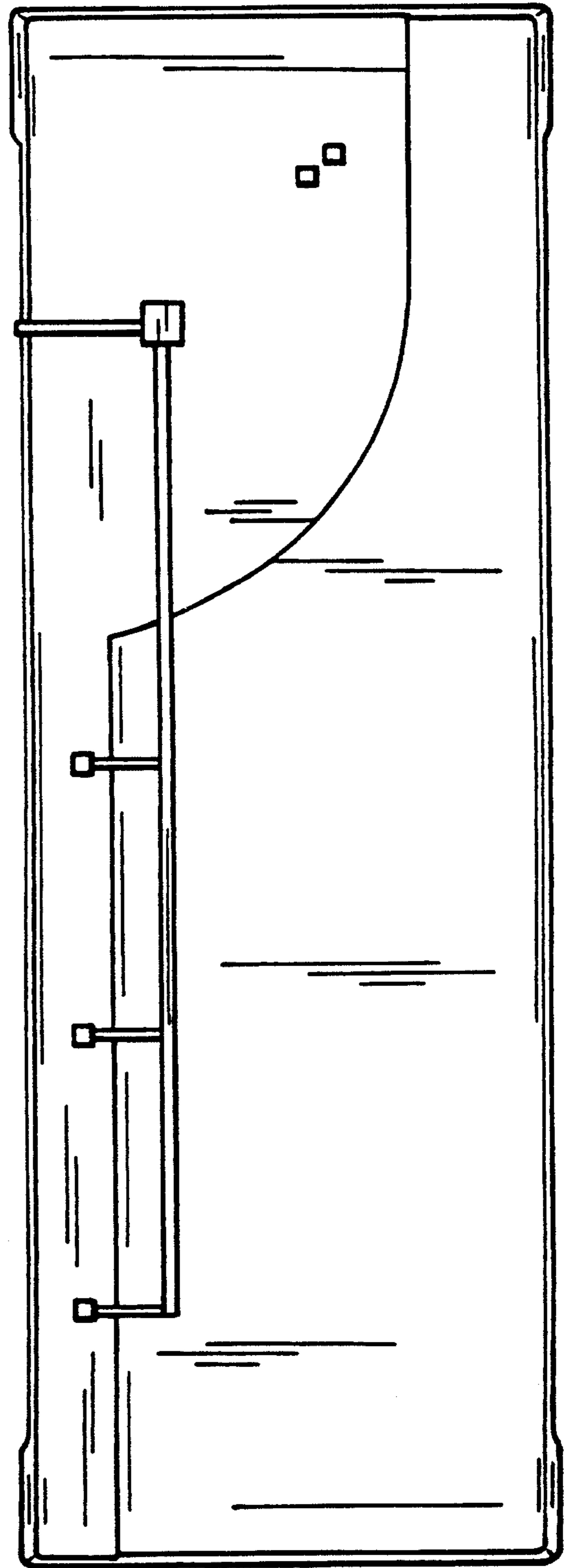


FIG. 5

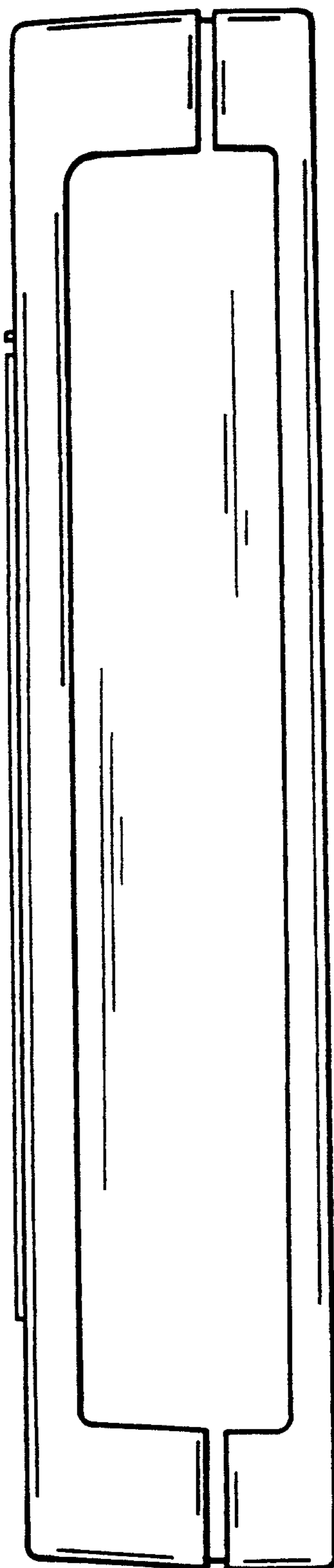


FIG. 6