



US00D346368S

United States Patent [19]

[11] Patent Number: **Des. 346,368**

Miyashita et al.

[45] Date of Patent: **** Apr. 26, 1994**

[54] NOTEBOOK COMPUTER

[75] Inventors: **Kazuhiro Miyashita, Saitama, Japan;**
Chu-Chai Tsai, Taipei, Taiwan

[73] Assignee: **Acer Incorporated, Taipei, Taiwan**

[**] Term: **14 Years**

[21] Appl. No.: **685,483**

[22] Filed: **Apr. 15, 1992**

[52] U.S. Cl. **D14/106**

[58] Field of Search 235/145 A, 145 R;
340/700, 706; 341/22, 23; 361/390, 394;
364/708, 709.04; D14/100, 101, 106, 113, 115;
D18/1, 7

[56] References Cited

U.S. PATENT DOCUMENTS

D. 308,050	5/1990	Sugano et al.	D14/106
D. 310,353	9/1990	Sugano et al.	D14/106
D. 310,517	9/1990	Hara et al.	D14/106
4,830,328	5/1989	Takach, Jr. et al.	364/708 X

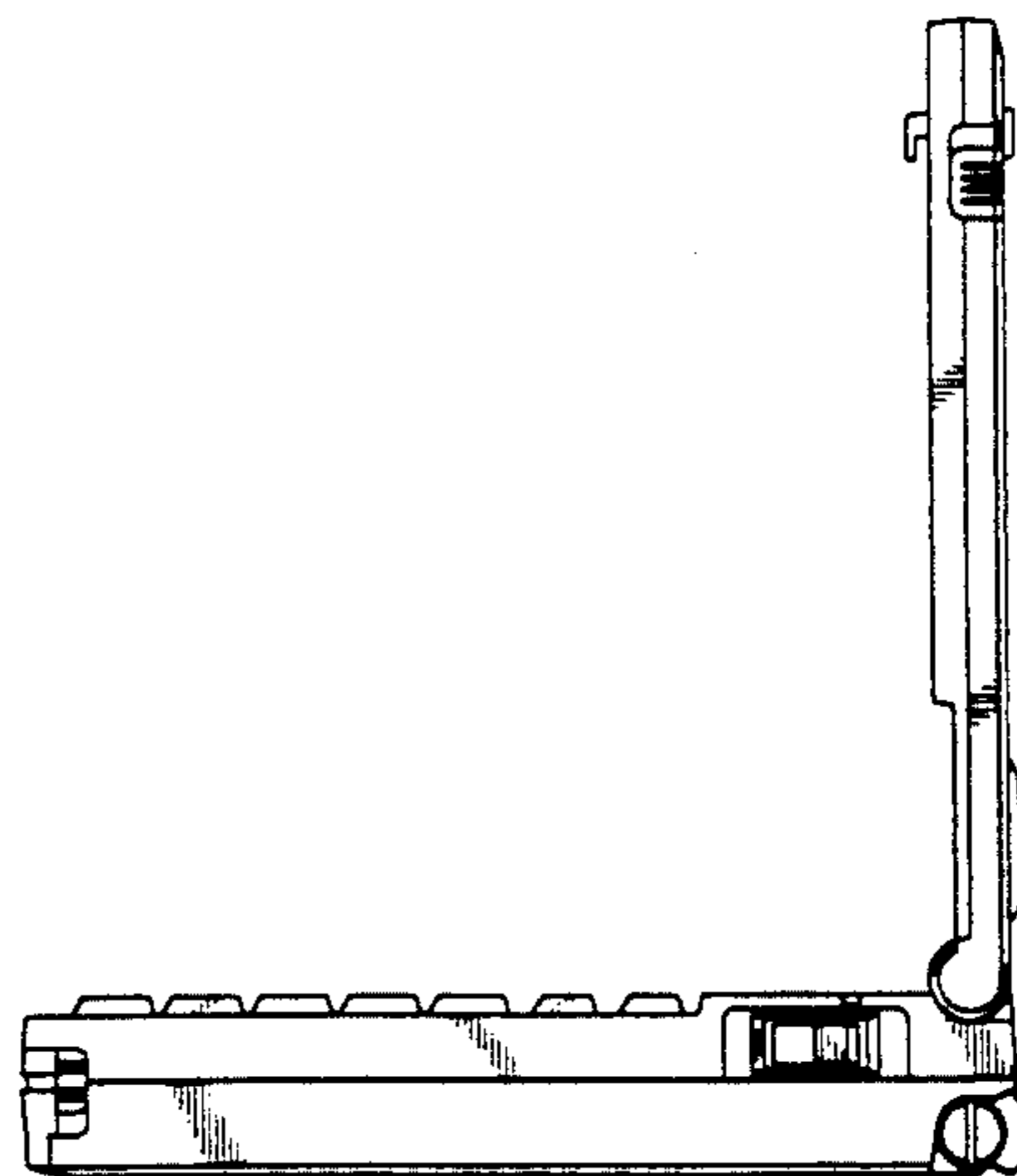
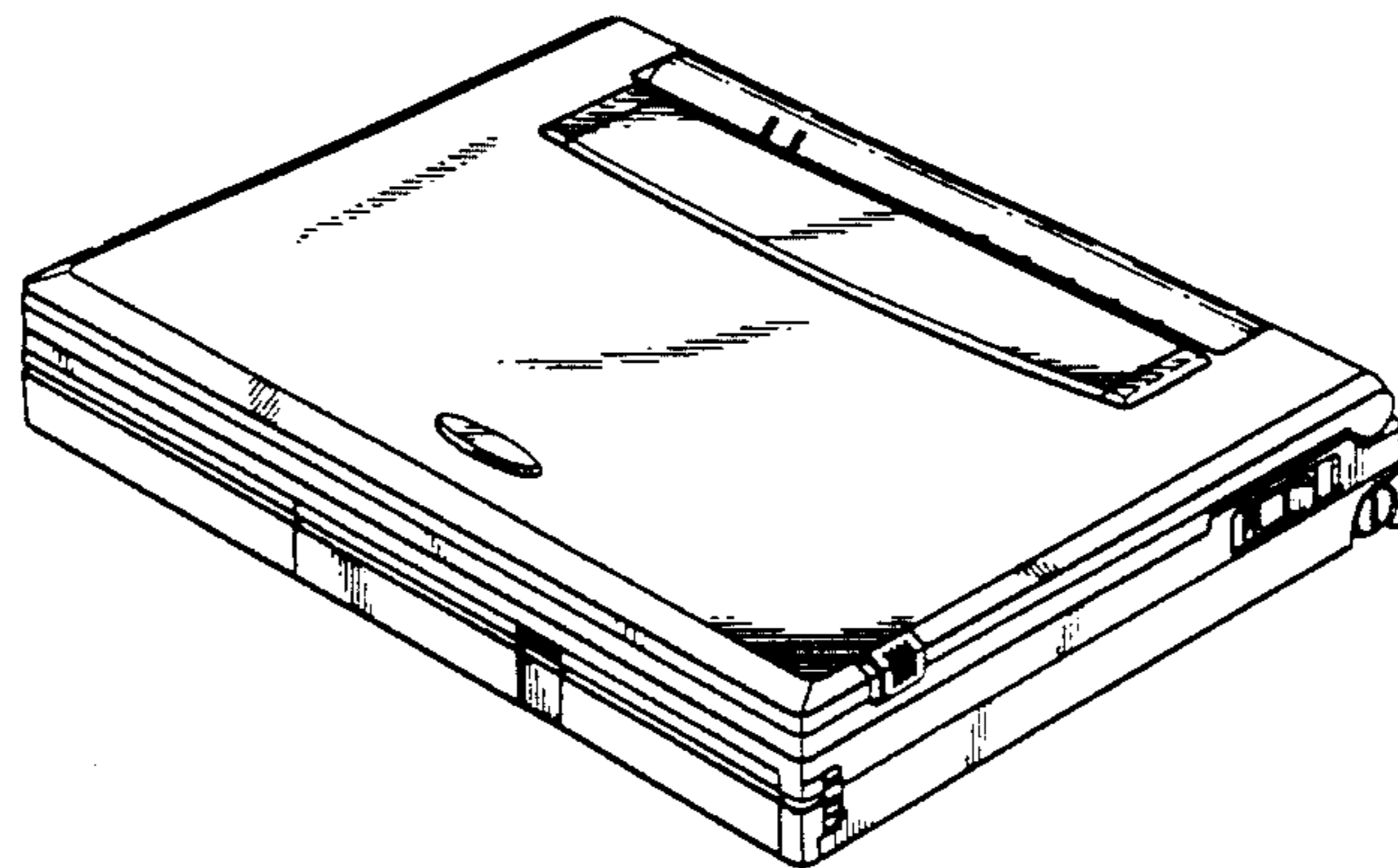
Primary Examiner—Wallace R. Burke
Assistant Examiner—Freda S. Nunn
Attorney, Agent, or Firm—Kenneth M. Kaslow

[57] CLAIM

The ornamental design for a notebook computer, as shown and described.

DESCRIPTION

FIG. 1 is a front perspective view of a notebook computer in a closed position showing our new design; FIG. 2 is a front elevational view of the notebook computer in the closed position in FIG. 1; FIG. 3 is a top plan view of the notebook computer in the closed position of FIG. 1; FIG. 4 is a rear elevational view of the notebook computer in the closed position of FIG. 1; FIG. 5 is a right side elevational view of the notebook computer in the closed position of FIG. 1; FIG. 6 is a left side elevational view of the notebook computer in the closed position of FIG. 1; FIG. 7 is a bottom plan view of the notebook computer; FIG. 8 is a front elevational view of the notebook computer in the open position; FIG. 9 is a top plan view of the notebook computer in an open position; FIG. 10 is a right side elevational view of the notebook computer case in the open position; FIG. 11 is a left side elevational view of the notebook computer in the open position; and, FIG. 12 is a rear elevational view of the notebook computer in the open position.



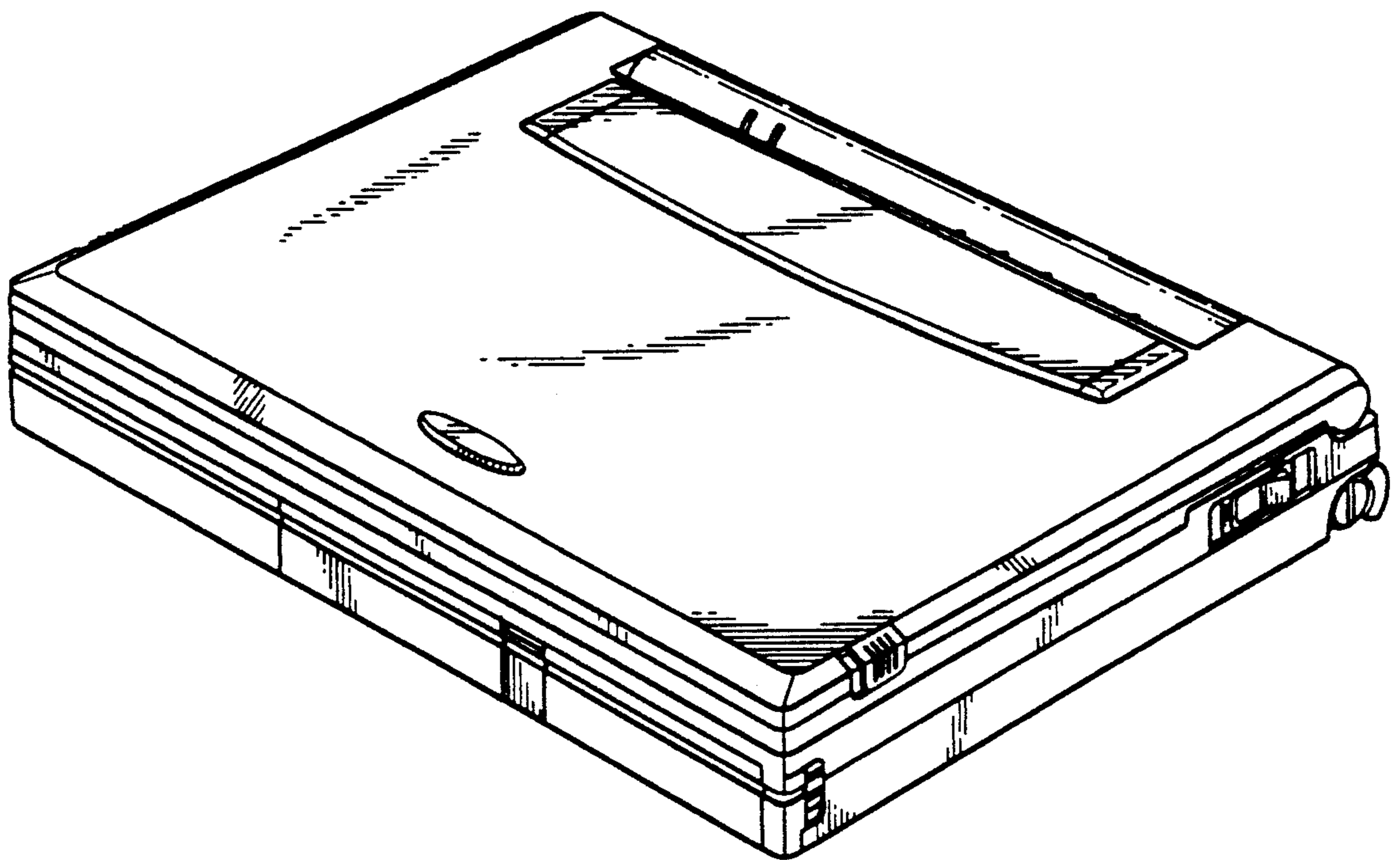


FIG. 1

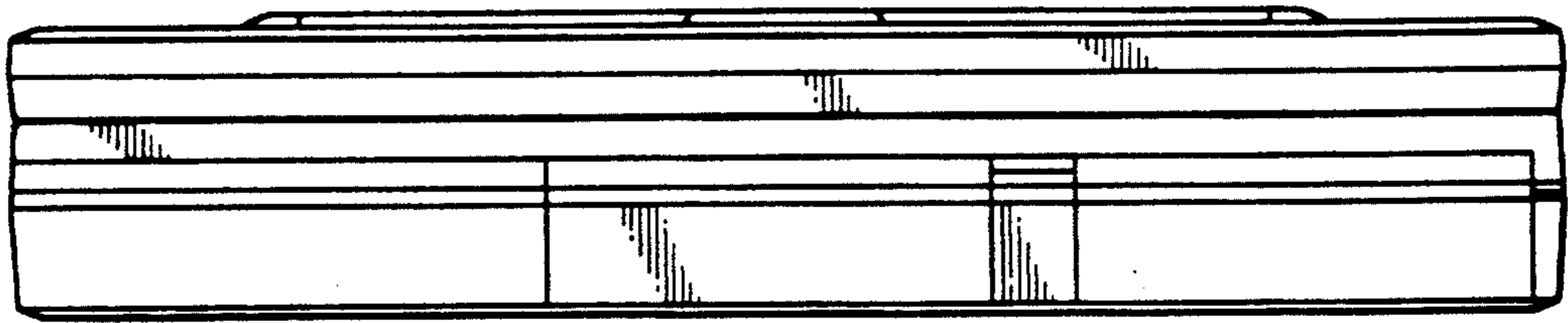


FIG. 2

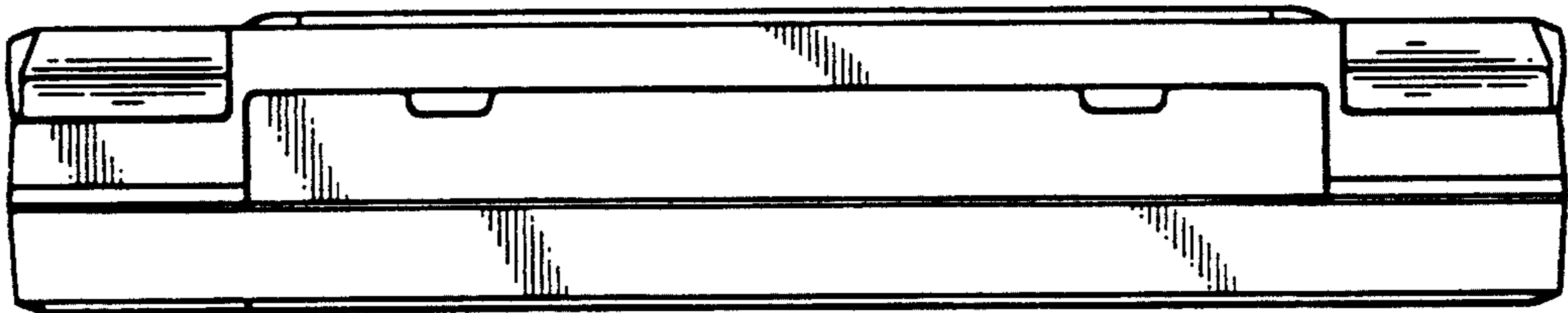


FIG. 4

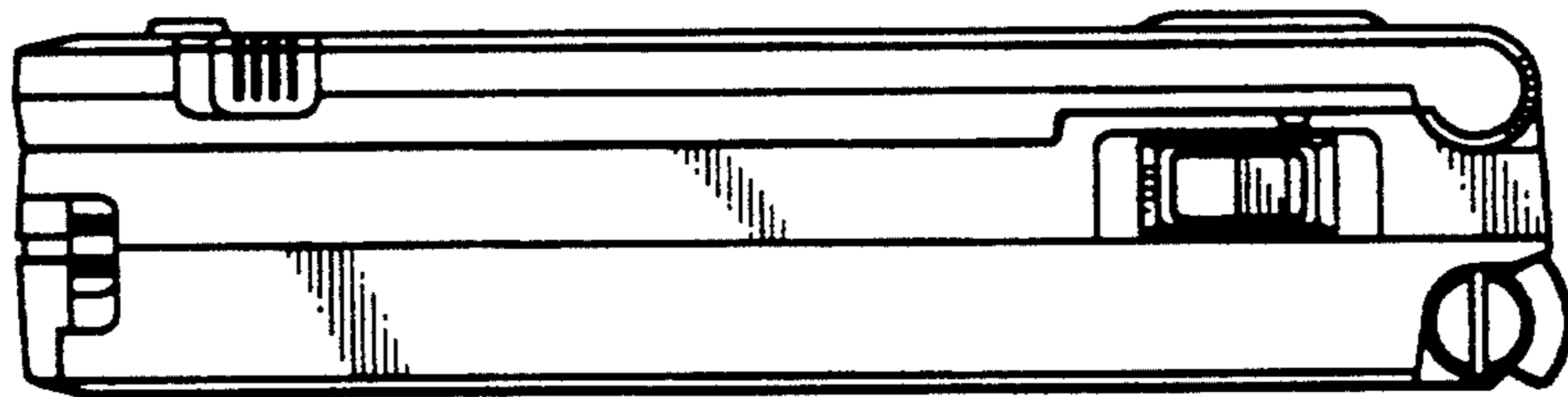


FIG. 5

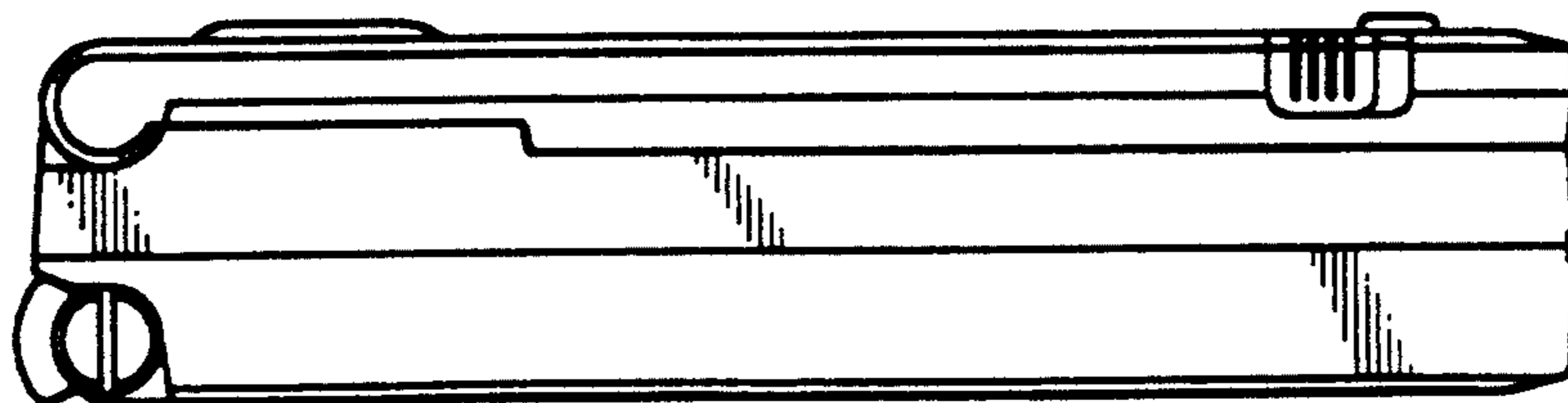


FIG. 6

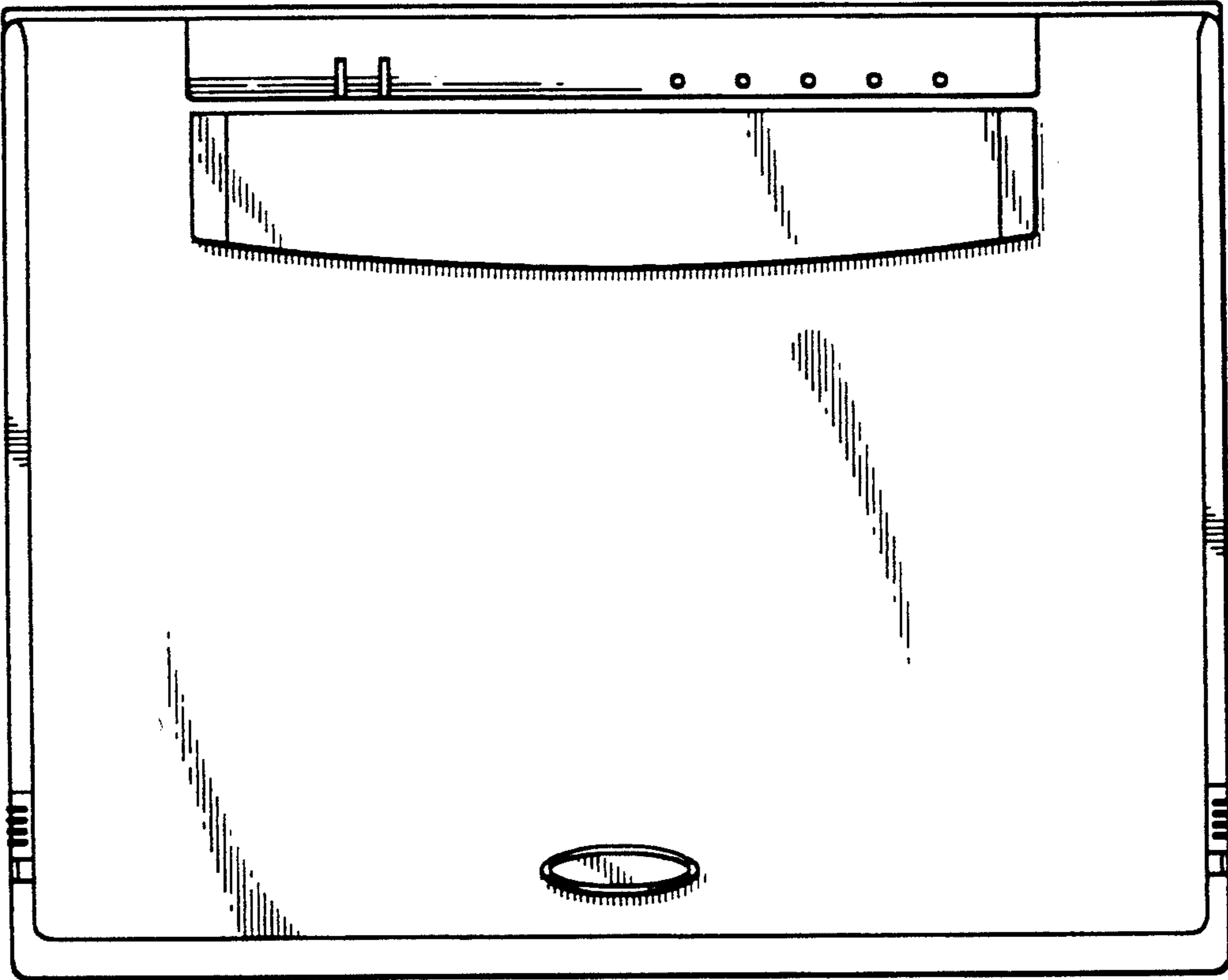


FIG. 3

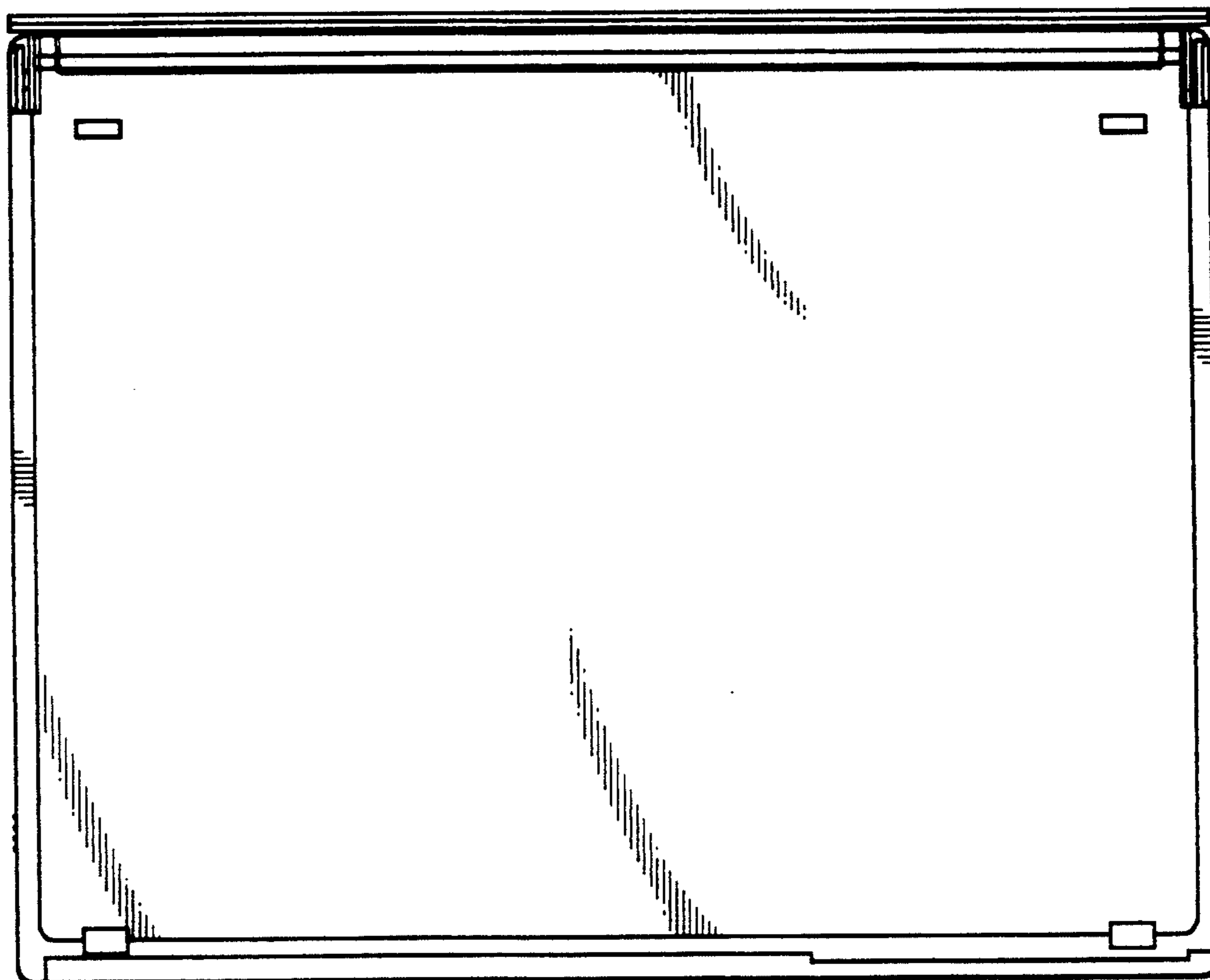


FIG. 7

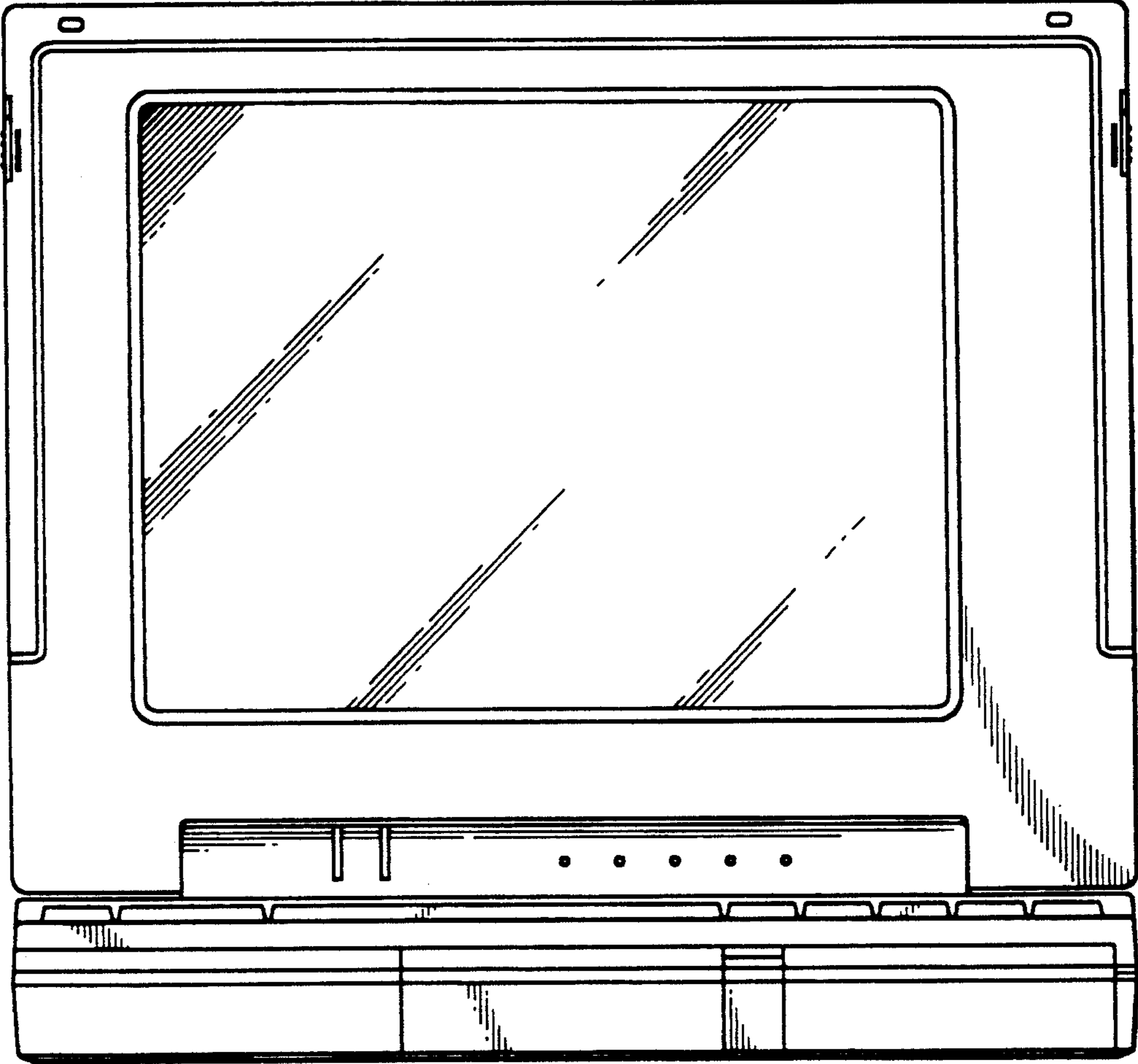


FIG. 8

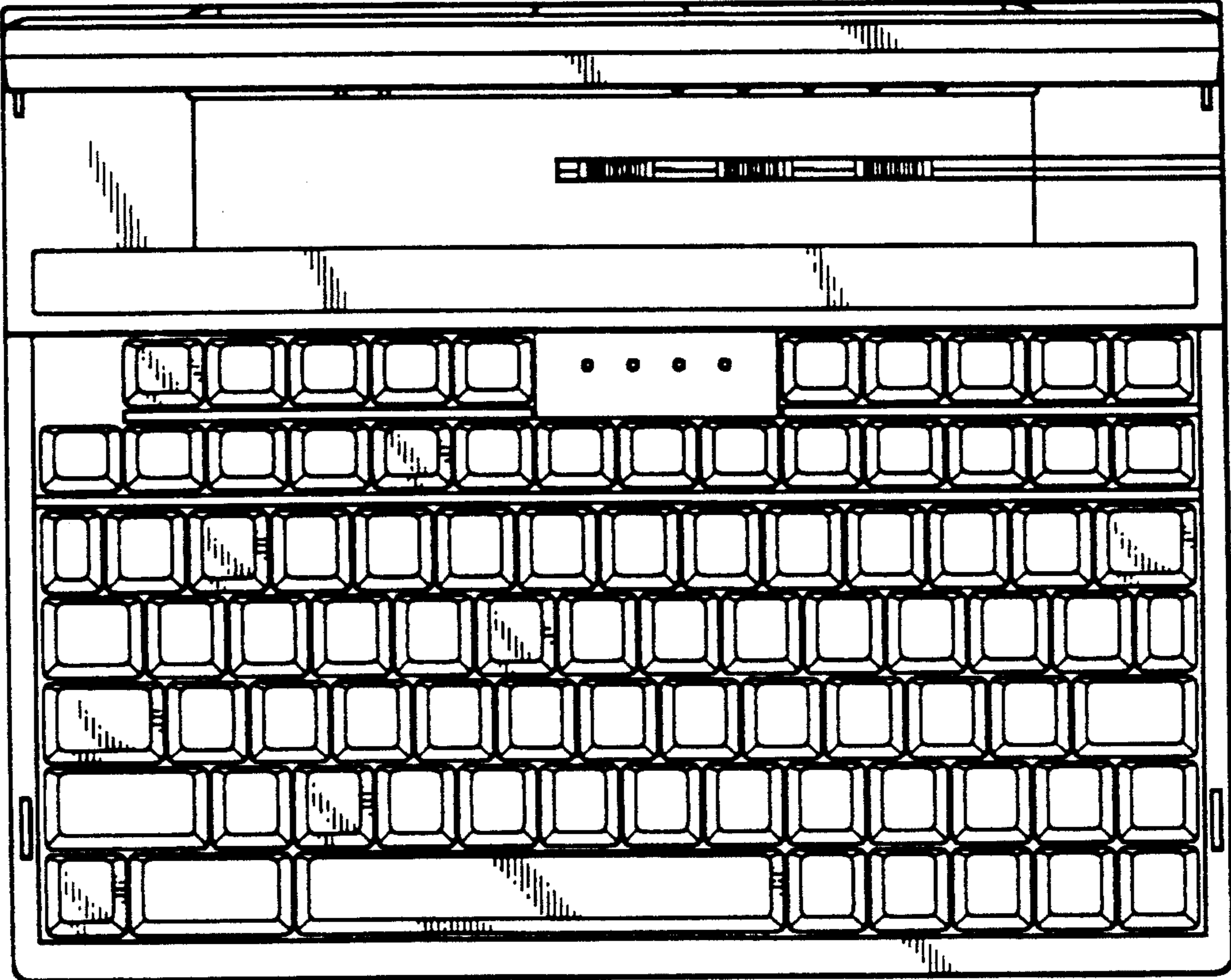


FIG. 9

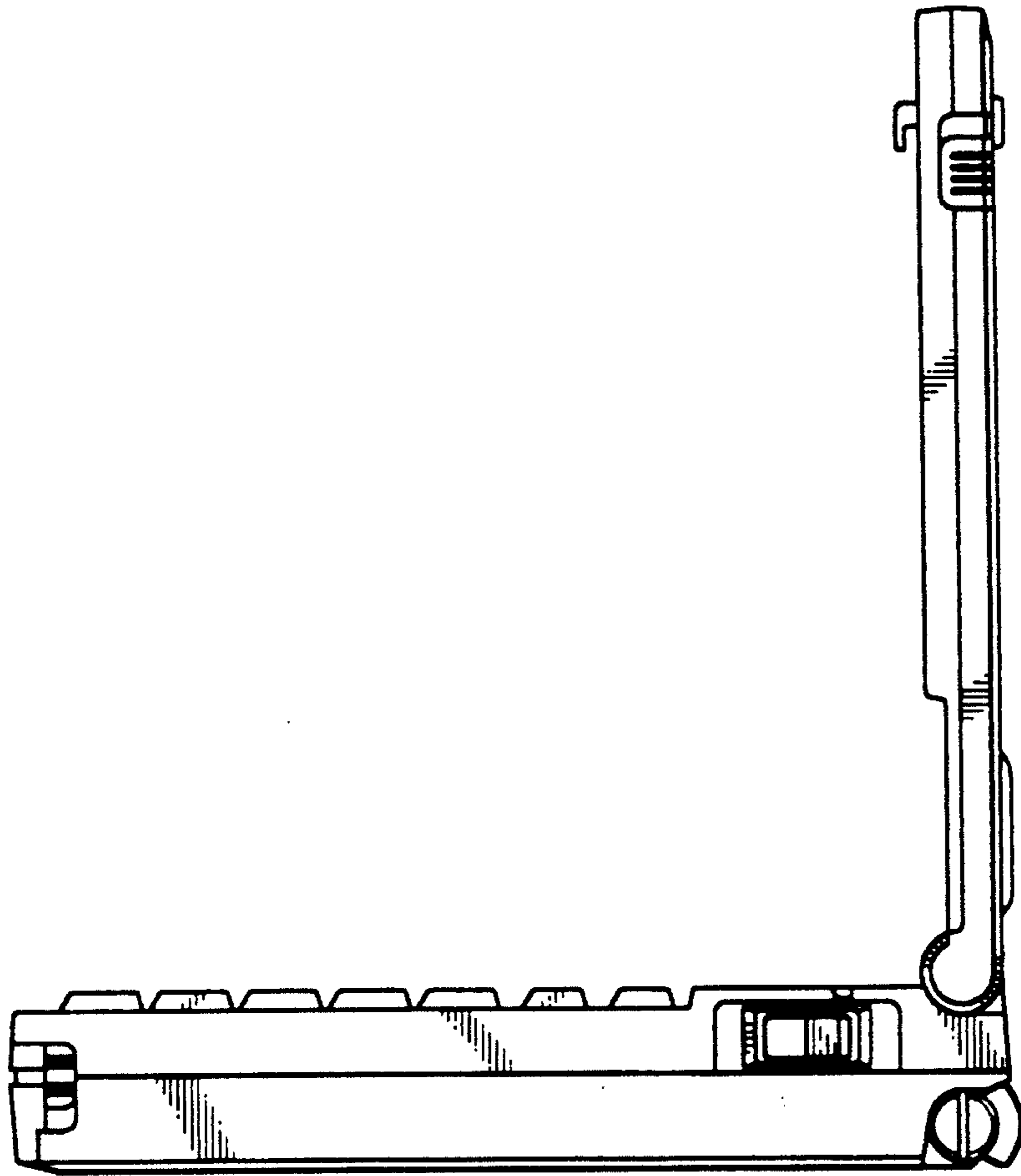


FIG. 10

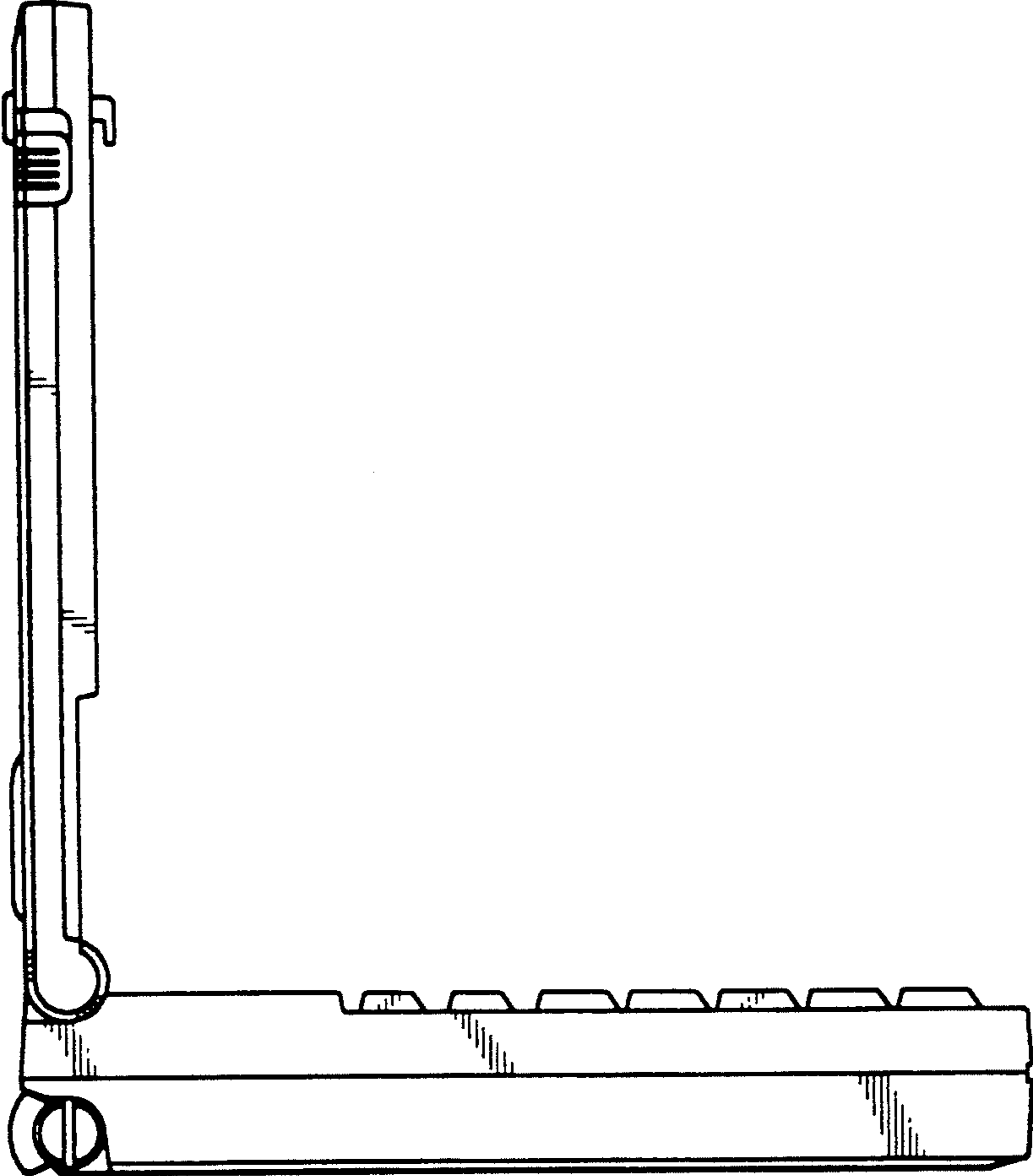


FIG. 11

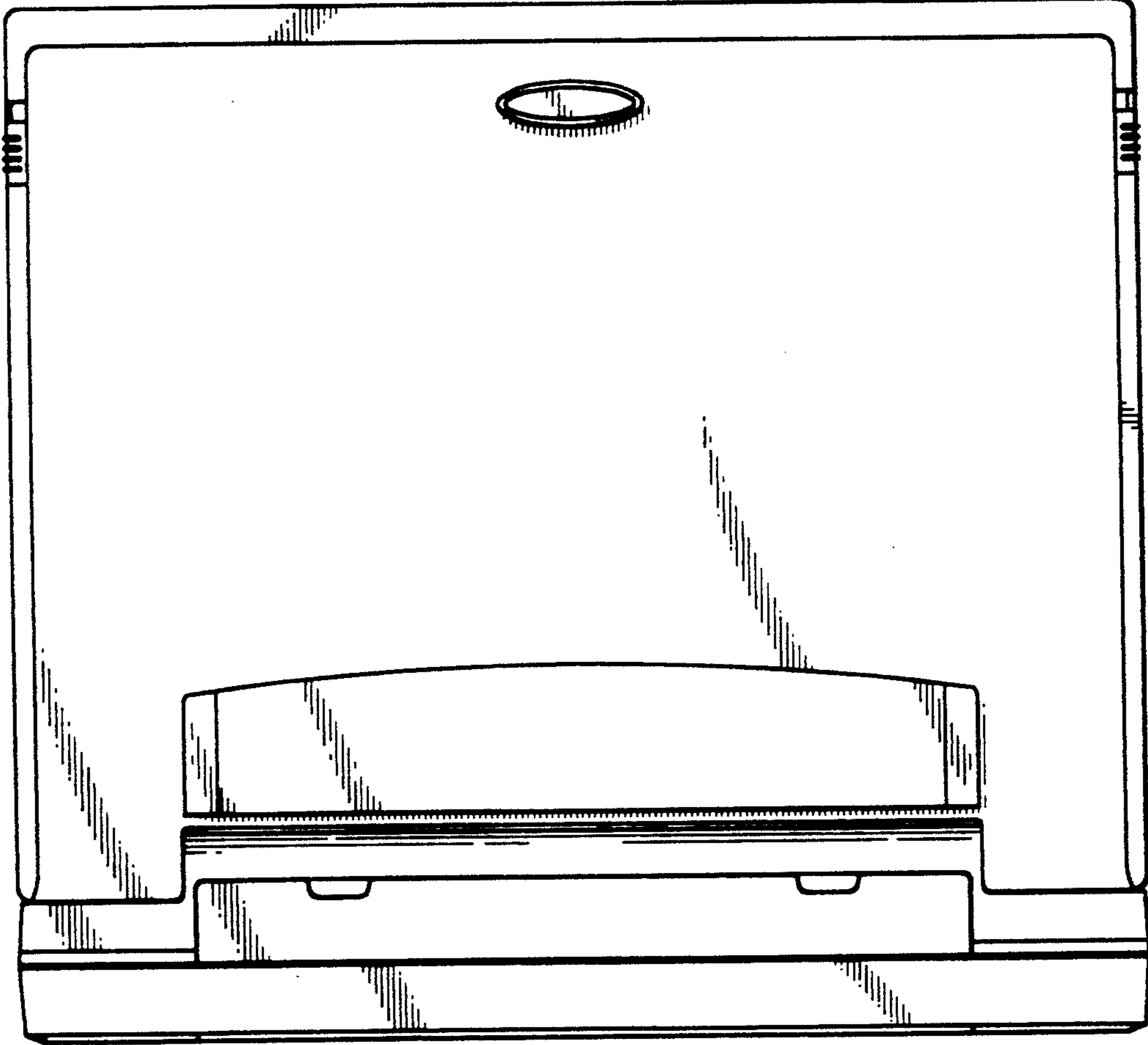


FIG. 12