



US00D346359S

# United States Patent [19]

[11] Patent Number: **Des. 346,359**

Linden et al.

[45] Date of Patent: **\*\* Apr. 26, 1994**

[54] **COGENERATION SYSTEM HOUSING**

[75] Inventors: **Craig L. Linden**, Alpine; **Michael R. Volckaert**, Tracy, both of Calif.

[73] Assignee: **Micro Cogen, Inc.**, Alpine, Calif.

[\*\*] Term: **14 Years**

[21] Appl. No.: **924,819**

[22] Filed: **Aug. 4, 1992**

[52] U.S. Cl. .... **D13/114**

[58] Field of Search ..... 290/240 R; 310/51;  
D13/101, 112, 114, 184

[56] **References Cited**

**U.S. PATENT DOCUMENTS**

- D. 186,594 11/1959 Forsty ..... D13/114
- D. 241,851 10/1976 Bartheld et al. .... D13/114
- D. 294,483 3/1988 Keane ..... D13/114

- D. 303,785 10/1989 Waltz et al. .... D13/114 X
- 4,007,388 2/1977 Lawyer et al. .... 310/51
- 4,657,290 4/1987 Linden ..... 290/2
- 4,736,111 4/1988 Linden ..... 290/2

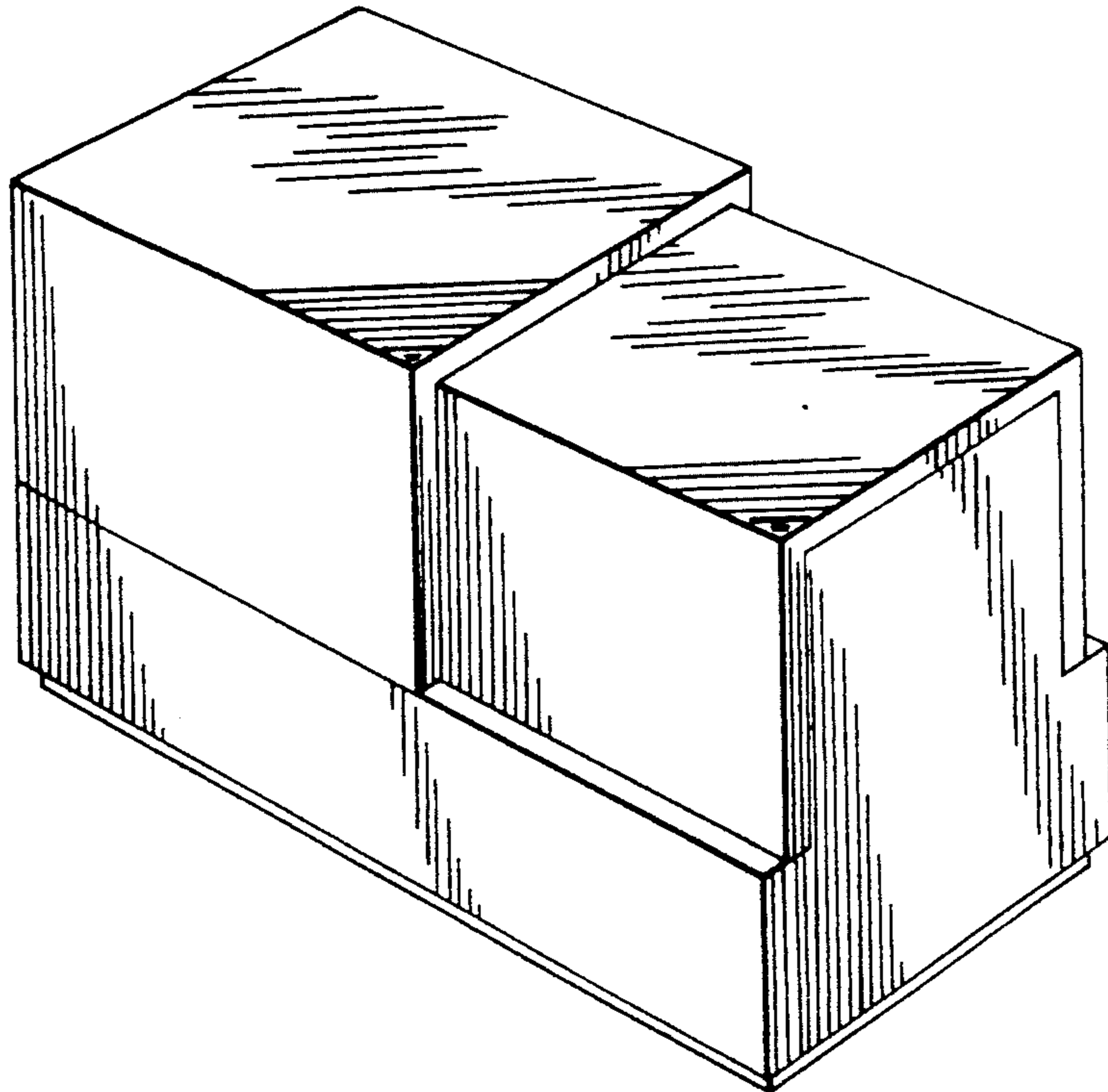
*Primary Examiner*—Wallace R. Burke  
*Assistant Examiner*—Joel Sincavage  
*Attorney, Agent, or Firm*—Joseph F. McLellan

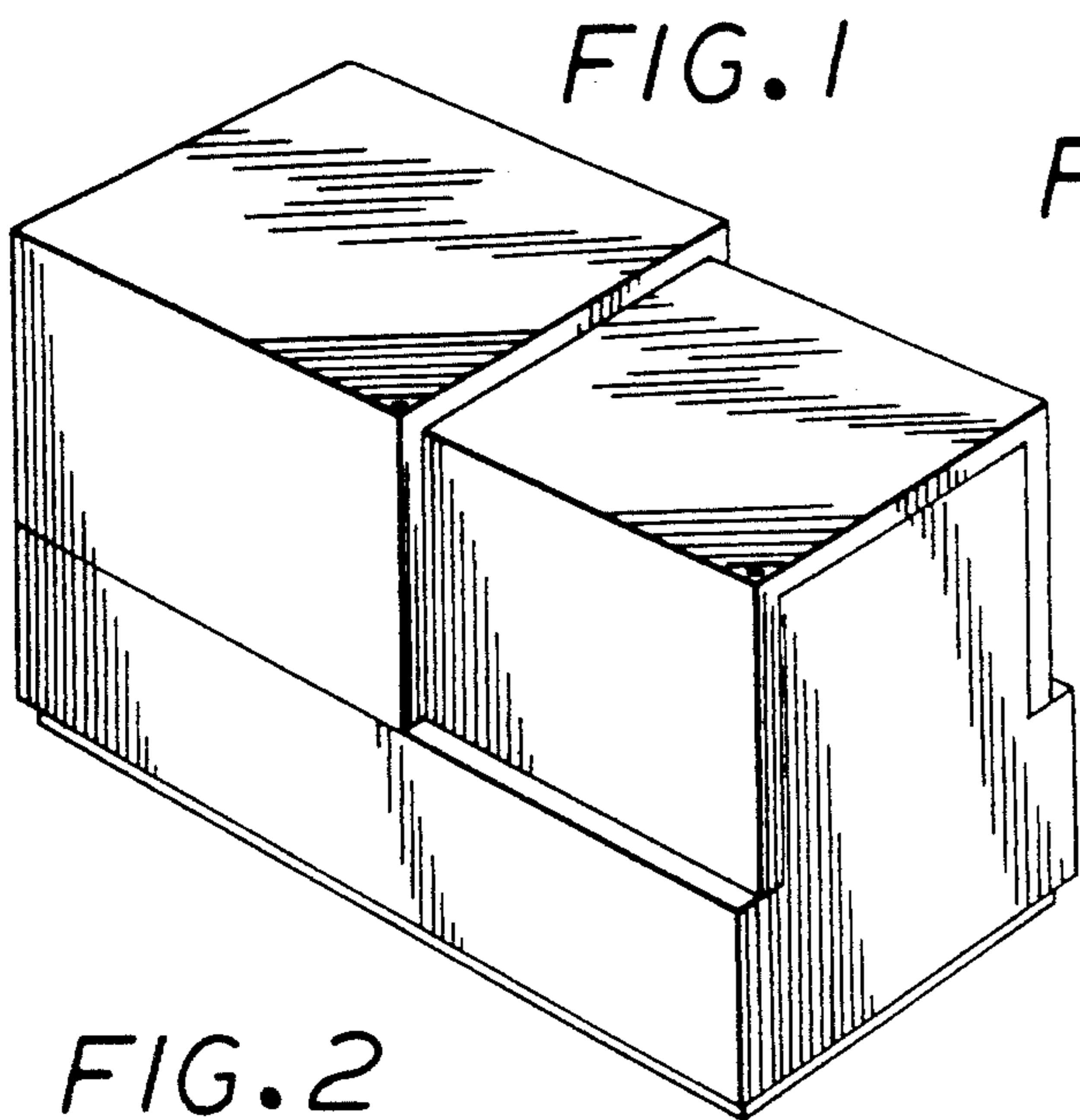
[57] **CLAIM**

The ornamental design for a cogeneration system housing, as shown and described.

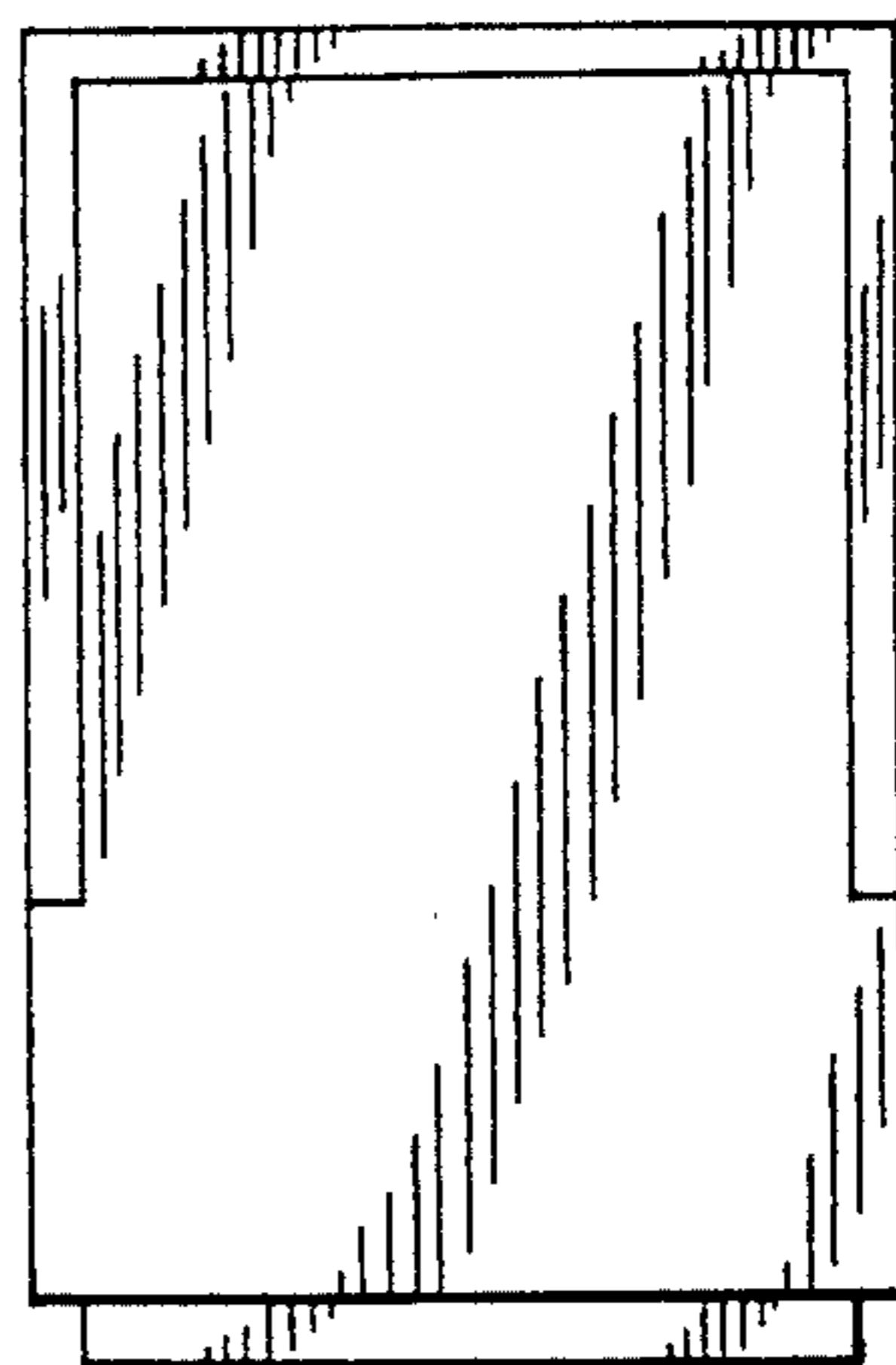
**DESCRIPTION**

FIG. 1 is a perspective view of my improved design; FIG. 2 is a top plan view thereof; FIG. 3 is a right end elevational view thereof; FIG. 4 is a left end elevational view thereof; FIG. 5 is a bottom plan view thereof; and, FIG. 6 is a right side elevational view thereof, the left side elevational view being a mirror image of FIG. 6.

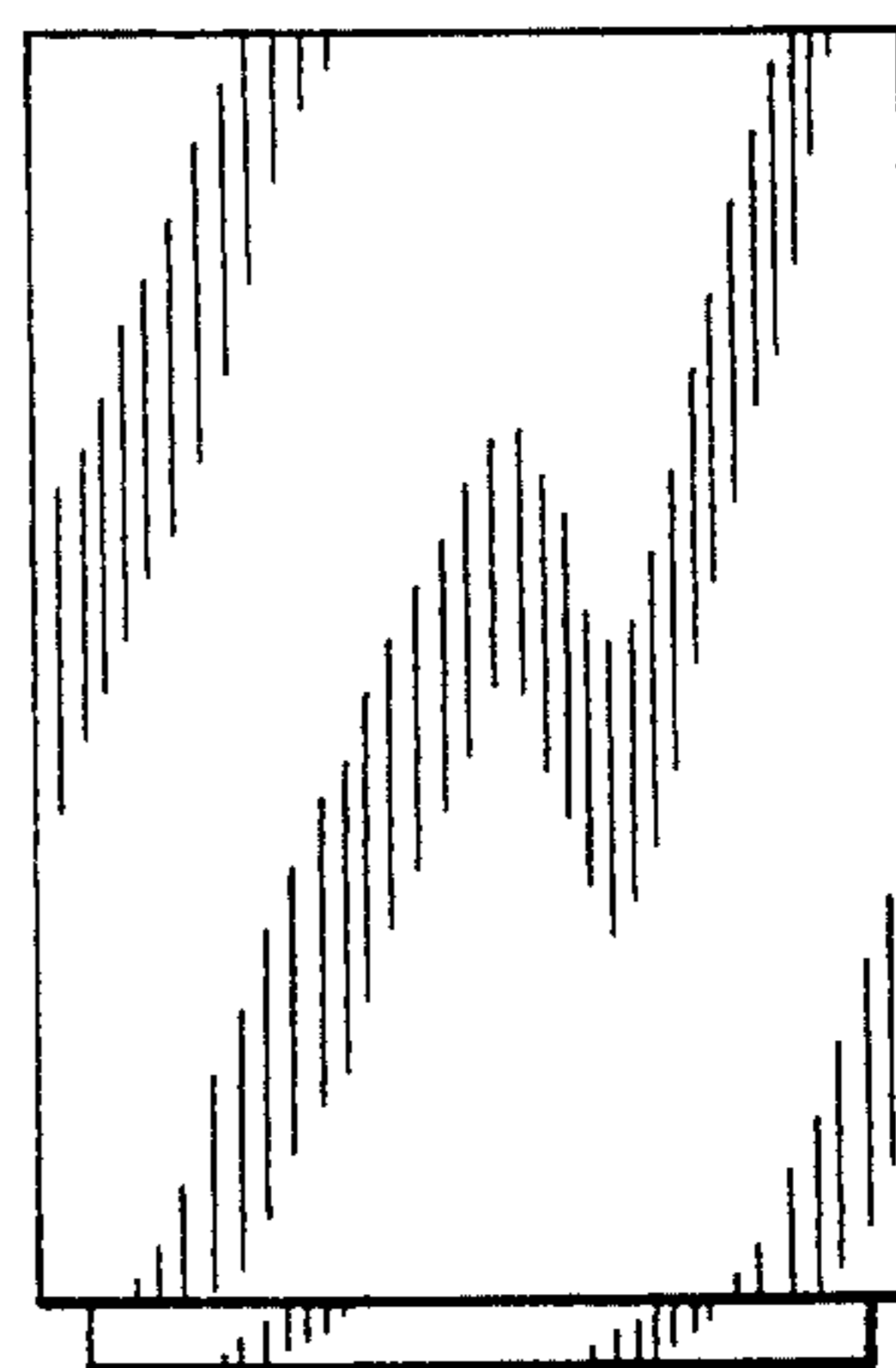
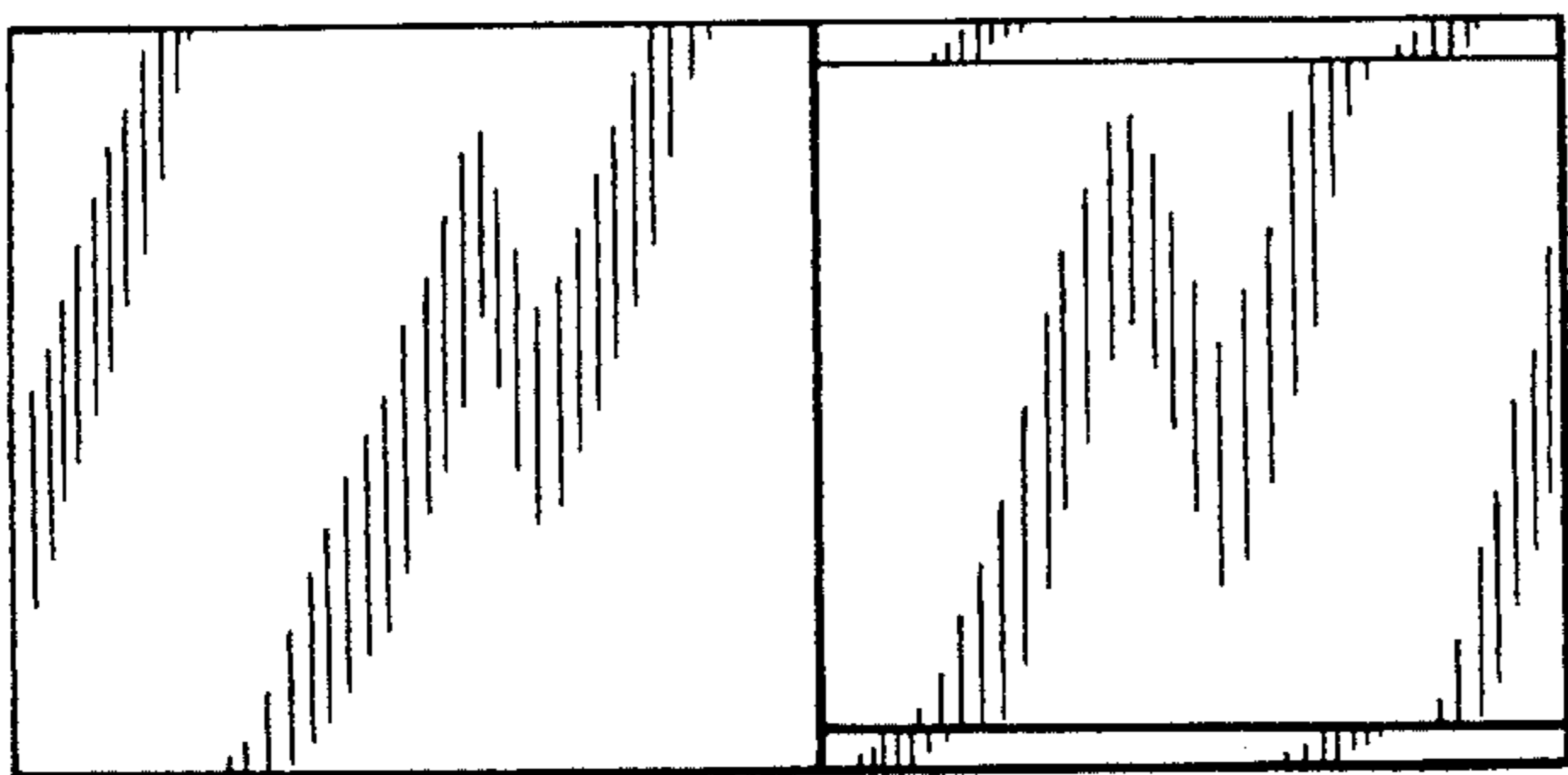




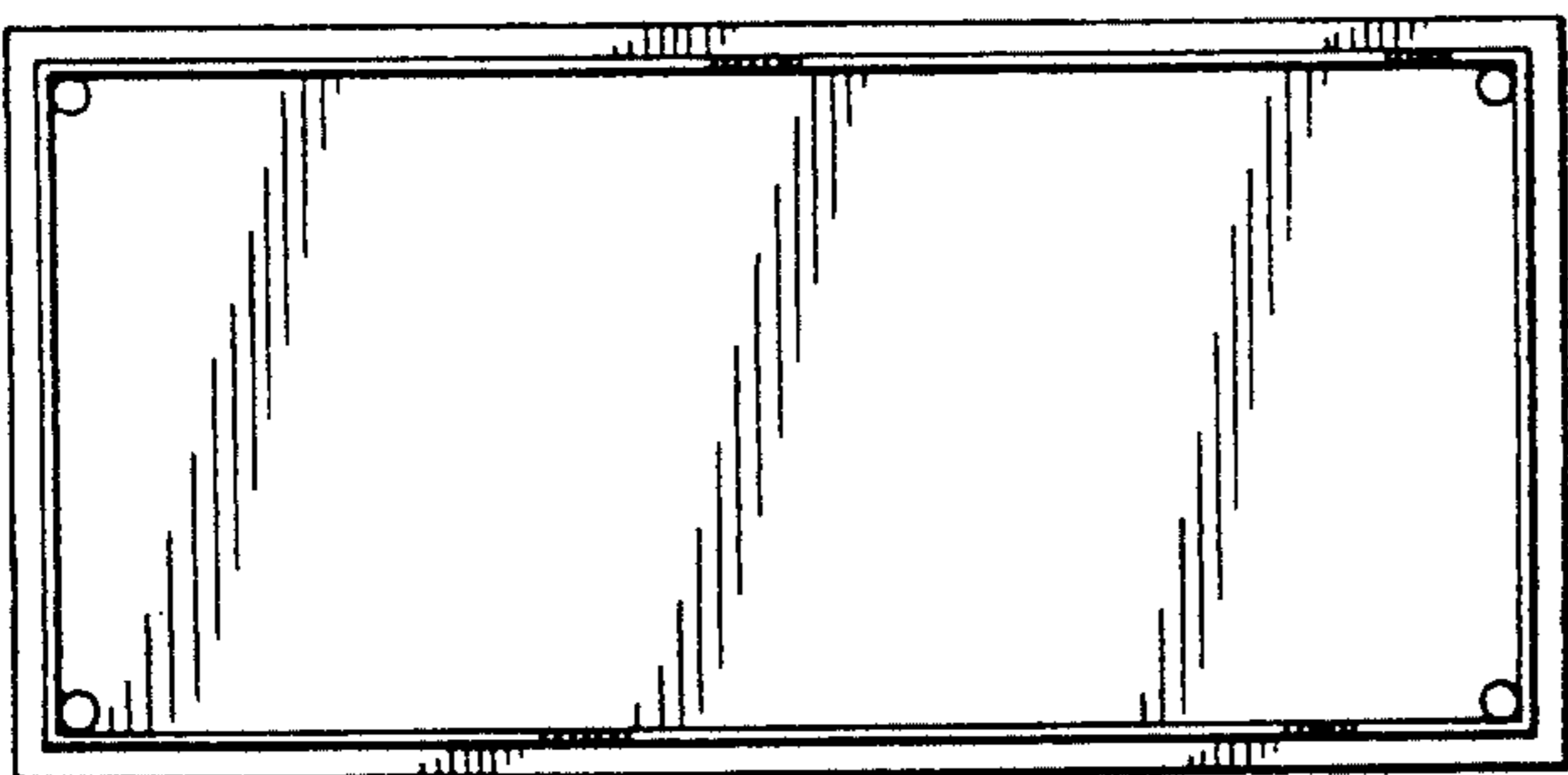
*FIG. 3*



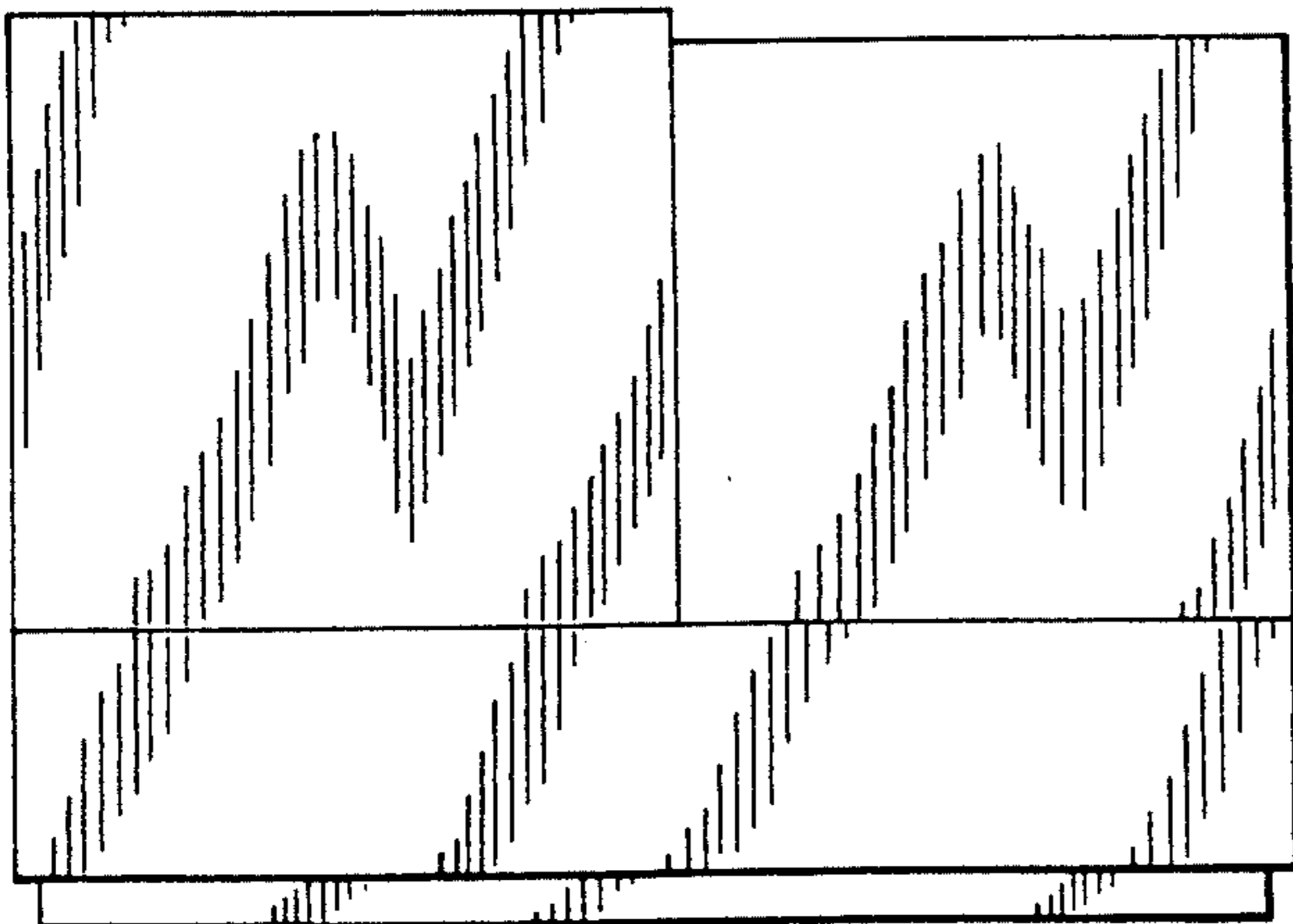
*FIG. 2*



*FIG. 4*



*FIG. 5*



*FIG. 6*