



US00D346356S

# United States Patent [19]

[11] Patent Number: **Des. 346,356**

Leu

[45] Date of Patent: **\*\* Apr. 26, 1994**

[54] **MINI WIDE-ANGLE REARVIEW MIRROR**

3,003,396 10/1961 Jenkins ..... 359/868  
4,575,202 3/1986 McGuire ..... 359/866

[75] Inventor: **Carl W. Leu, Miami, Fla.**

*Primary Examiner*—James M. Gandy

[73] Assignee: **Poli-Auto, Inc., Miami, Fla.**

*Attorney, Agent, or Firm*—Rothwell, Figg, Ernst & Kurz

[\*\*] Term: **14 Years**

[57] **CLAIM**

[21] Appl. No.: **718**

The ornamental design for a mini wide-angle rearview mirror, as shown and described.

[22] Filed: **Oct. 23, 1992**

**DESCRIPTION**

[52] U.S. Cl. .... **D12/187**

[58] Field of Search ..... 359/838, 842, 843, 844,  
359/849, 850, 854, 860, 862-866, 868, 876,  
871-874, 881; D12/187

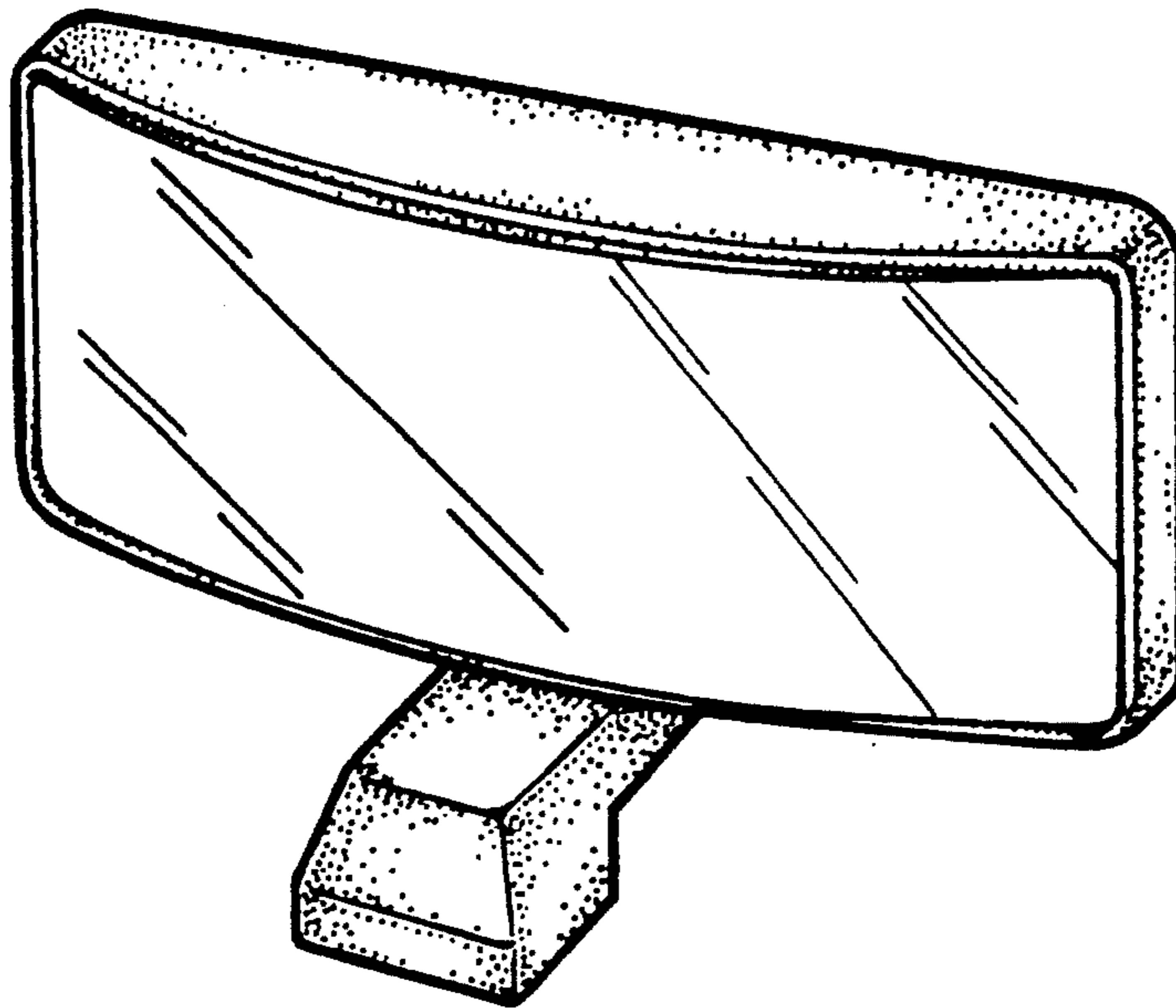
FIG. 1 is a frontal perspective view of the mini wide-angle rearview mirror showing my new design;  
FIG. 2 is a side elevational view thereof it being understood that the opposite side is a mirror image of the side shown;

[56] **References Cited**

**U.S. PATENT DOCUMENTS**

D. 217,812 6/1970 Lohr ..... D12/187  
1,784,710 12/1930 Showalter ..... 359/871

FIG. 3 is a rear elevational view;  
FIG. 4 is a front elevational view;  
FIG. 5 is a top plan view; and,  
FIG. 6 is a bottom plan view.



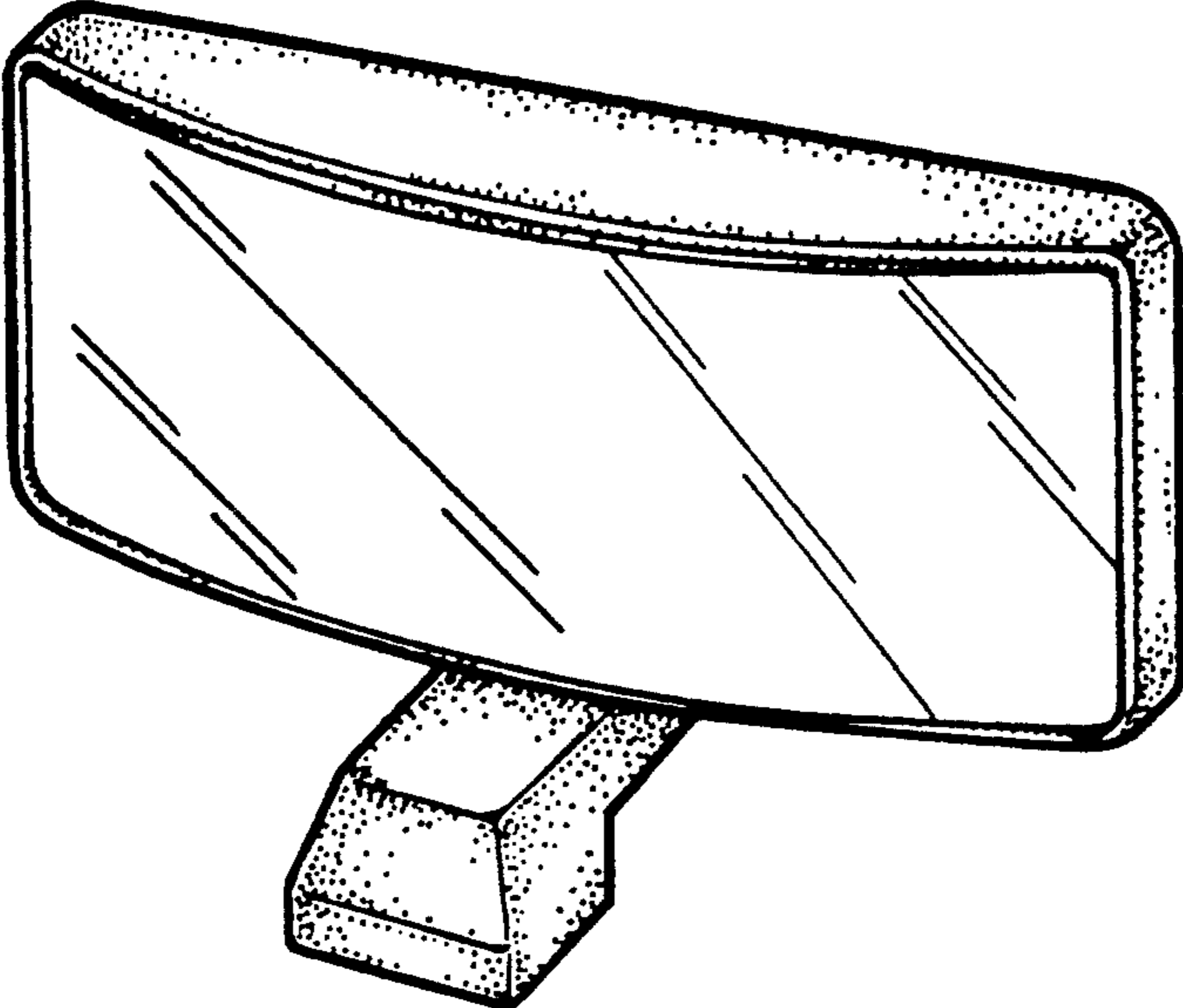


FIG. 1

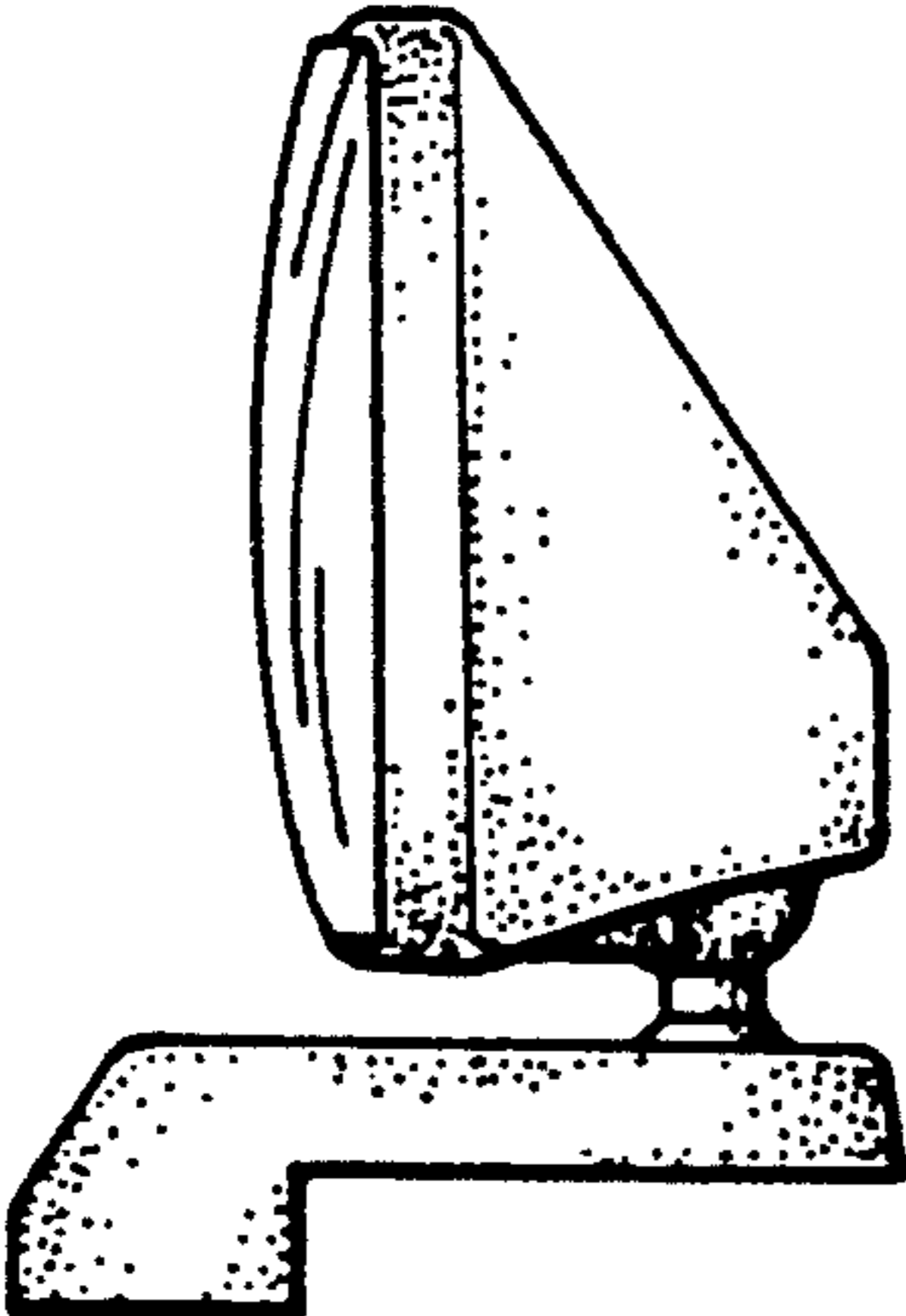


FIG. 2

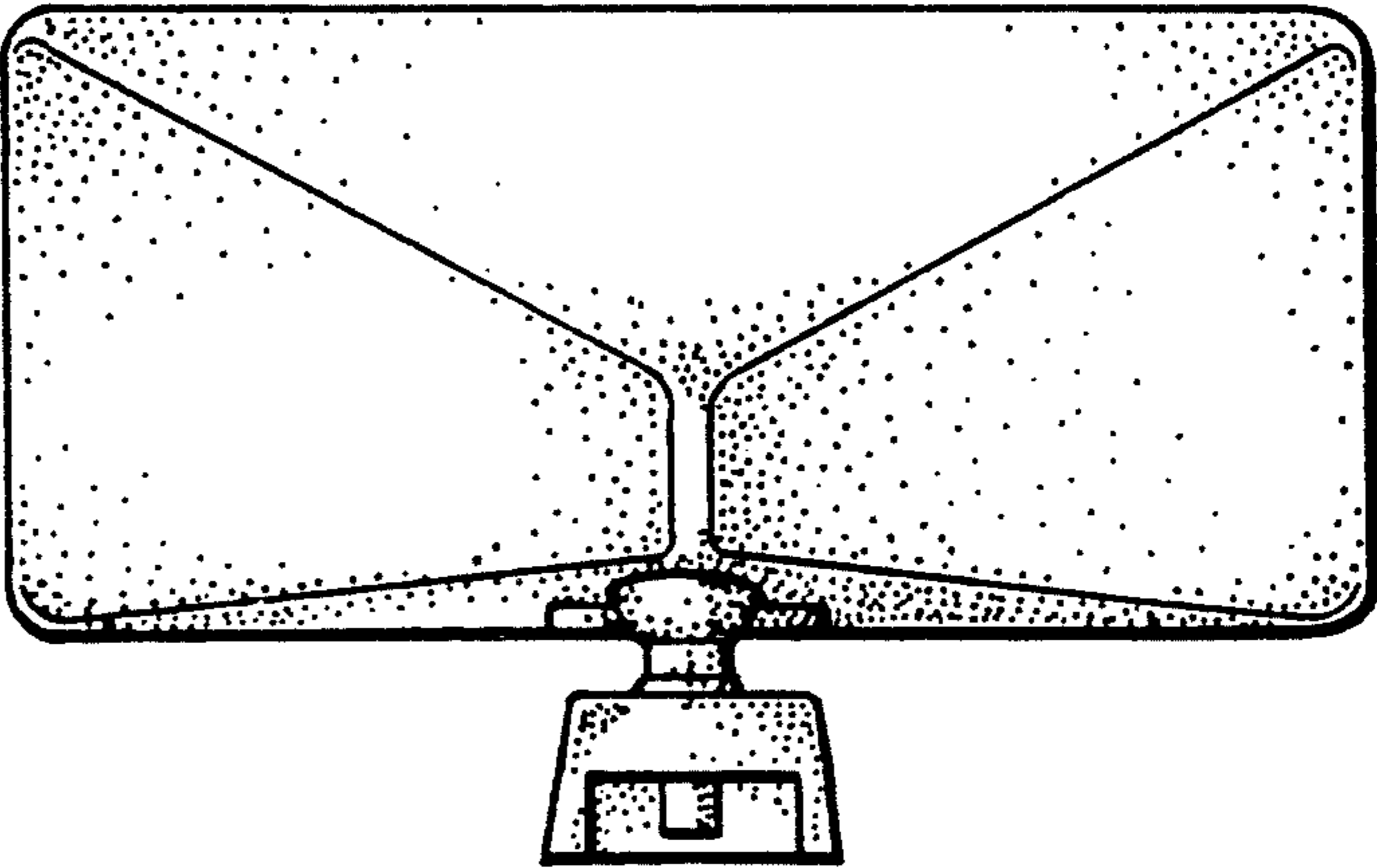


FIG. 3

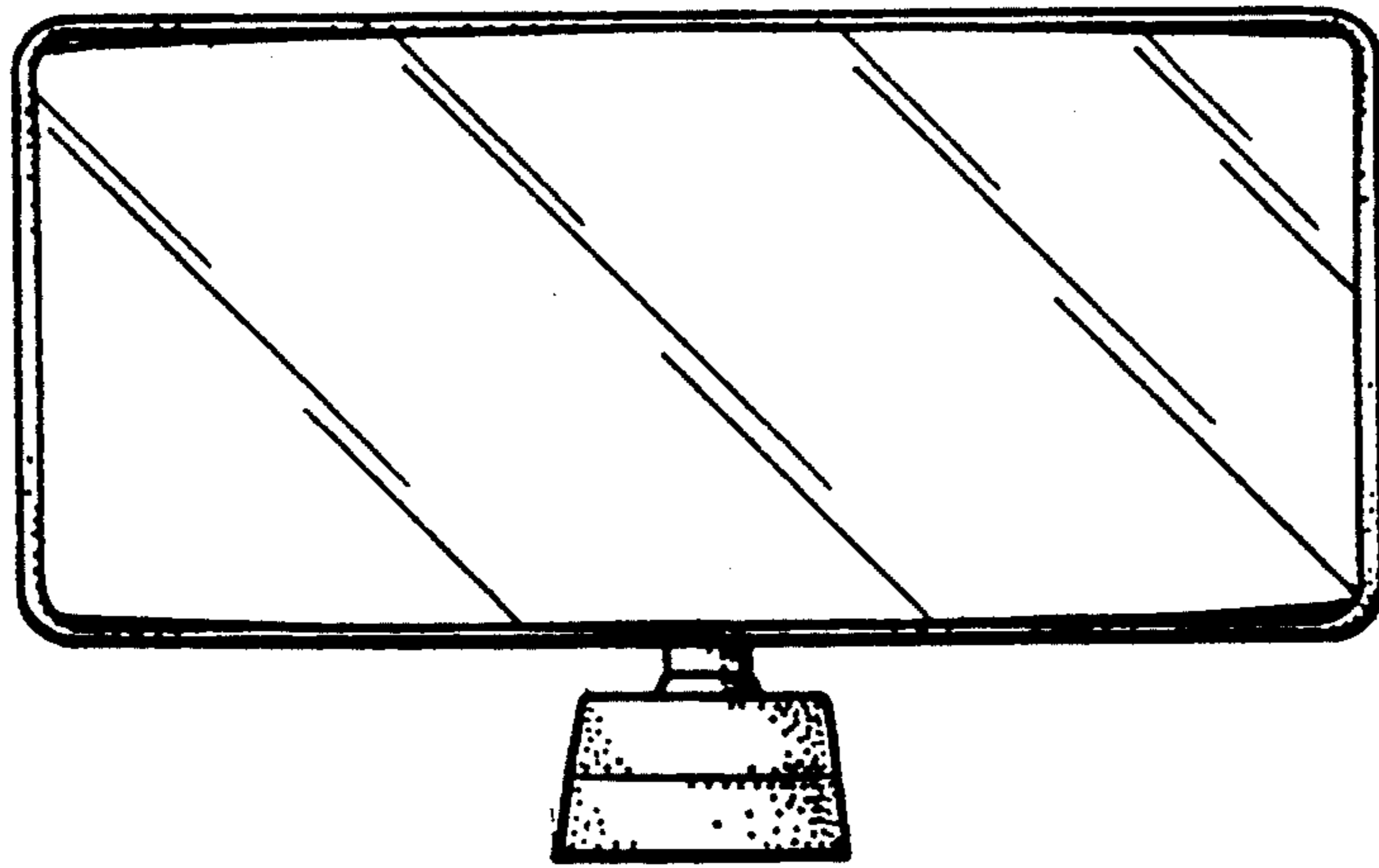


FIG. 4

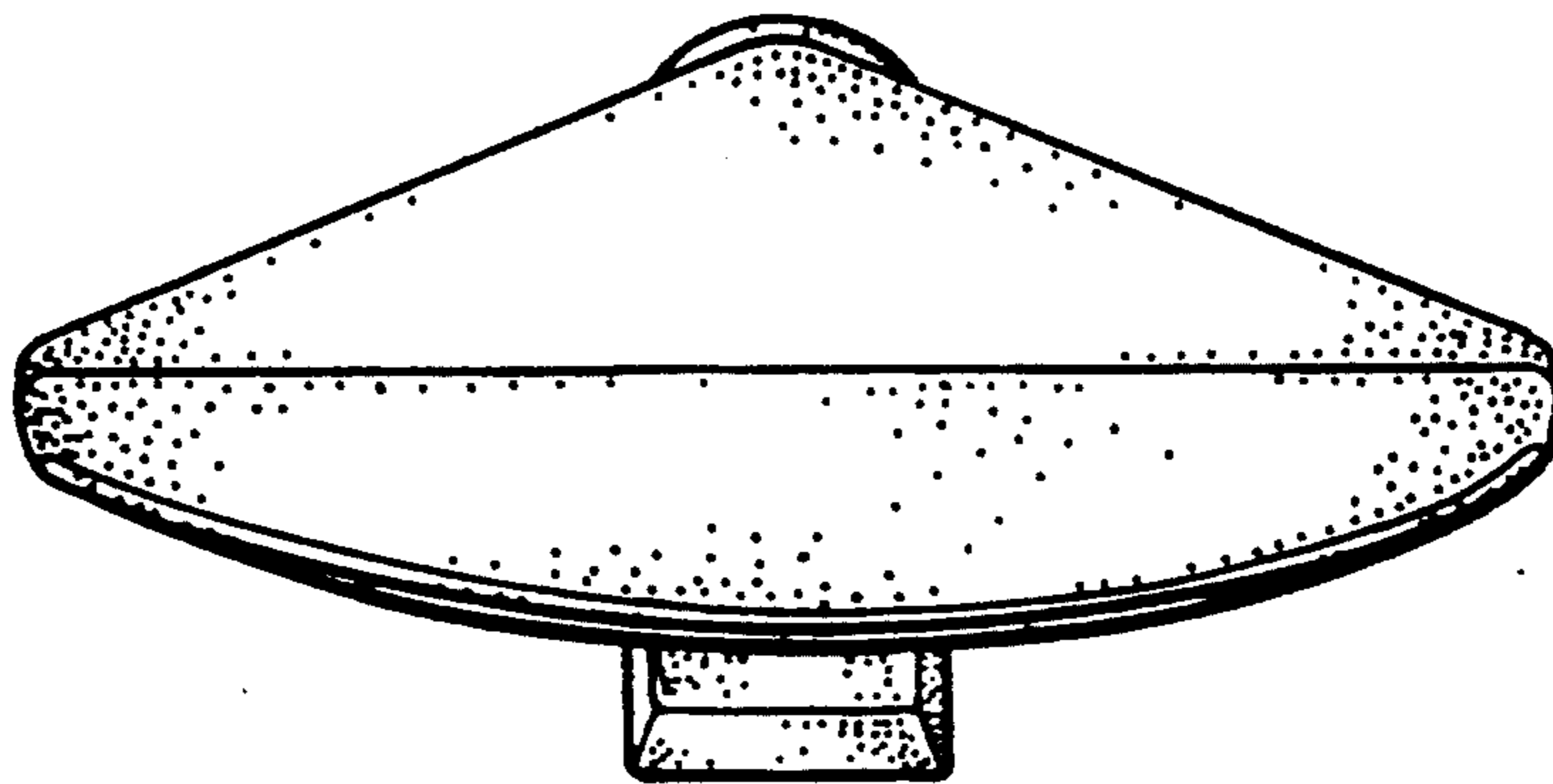


FIG. 5

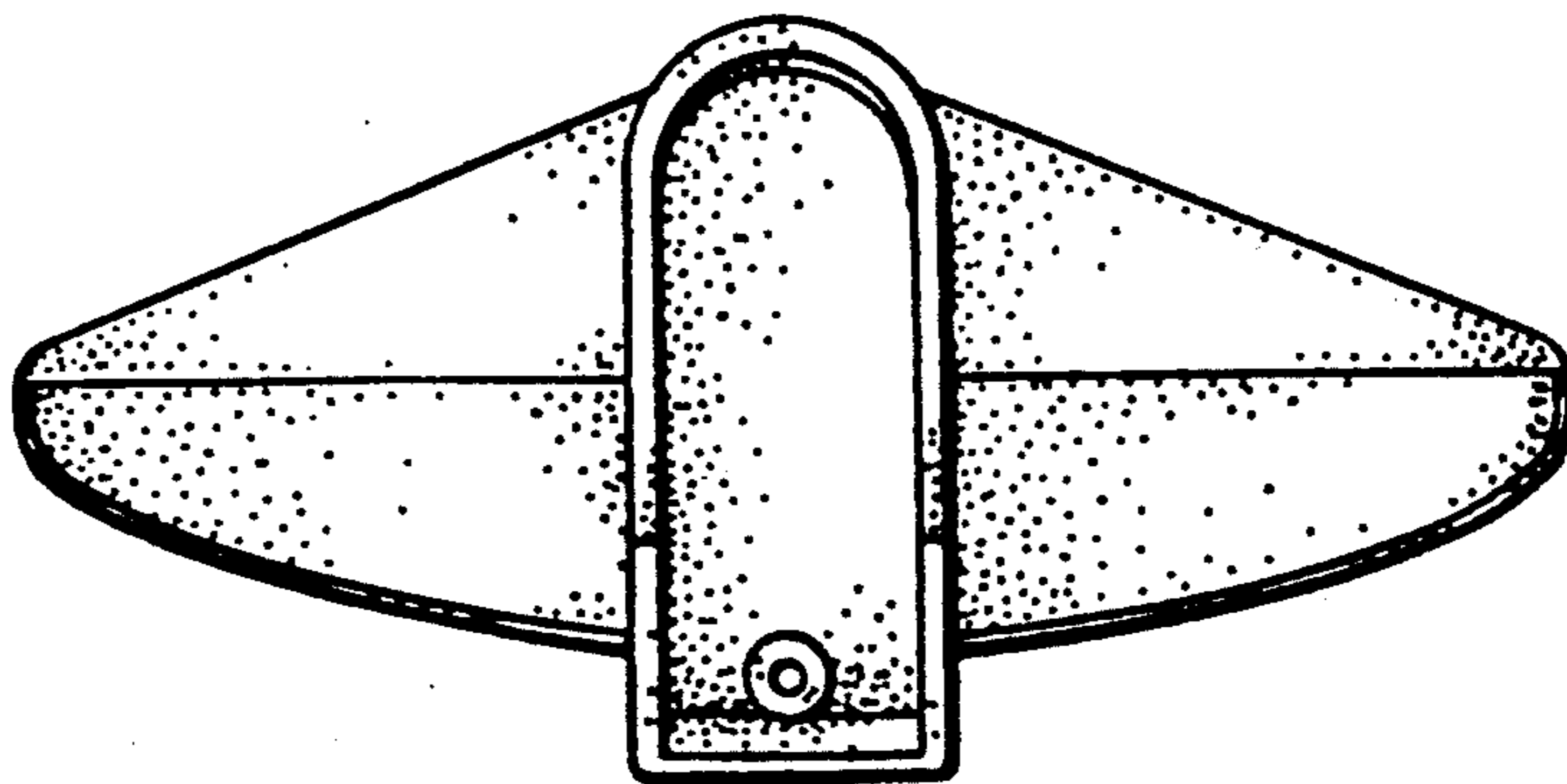


FIG. 6

UNITED STATES PATENT AND TRADEMARK OFFICE  
**CERTIFICATE OF CORRECTION**

PATENT NO. : Des. 346,356  
DATED : April 26, 1994  
INVENTOR(S) : Carl W. Leu

It is certified that error appears in the above-identified patent and that said Letters Patent is hereby corrected as shown below:

Title page, col. 2, line 1 under Description,  
Fig. 1, "mimi", should be --mini--.

Signed and Sealed this  
Ninth Day of August, 1994



**BRUCE LEHMAN**

*Attest:*

*Attesting Officer*

*Commissioner of Patents and Trademarks*