



US00D346346S

United States Patent [19]

[11] Patent Number: **Des. 346,346**

Johnson et al.

[45] Date of Patent: **** Apr. 26, 1994**

[54] **STRETCHER**

[56]

References Cited

U.S. PATENT DOCUMENTS

[76] Inventors: **H. Clayton Johnson**, 101 Chaparral Cir., Madison, Ala. 35758; **Thomas M. Dempsey**, 1409 Wellman Ave., Huntsville, Ala. 35801

D. 309,589	7/1990	Hare et al.	D12/128
D. 332,930	2/1993	Clark et al.	D12/132
2,394,264	2/1946	Robinson	5/626
4,670,921	6/1987	Avni et al.	5/627
5,048,134	9/1991	Dennill et al.	5/625

Primary Examiner—Kay H. Chin
Attorney, Agent, or Firm—John C. Garvin, Jr.

[**] Term: **14 Years**

[57]

CLAIM

The ornamental design for a stretcher, as shown and described.

[21] Appl. No.: **935,738**

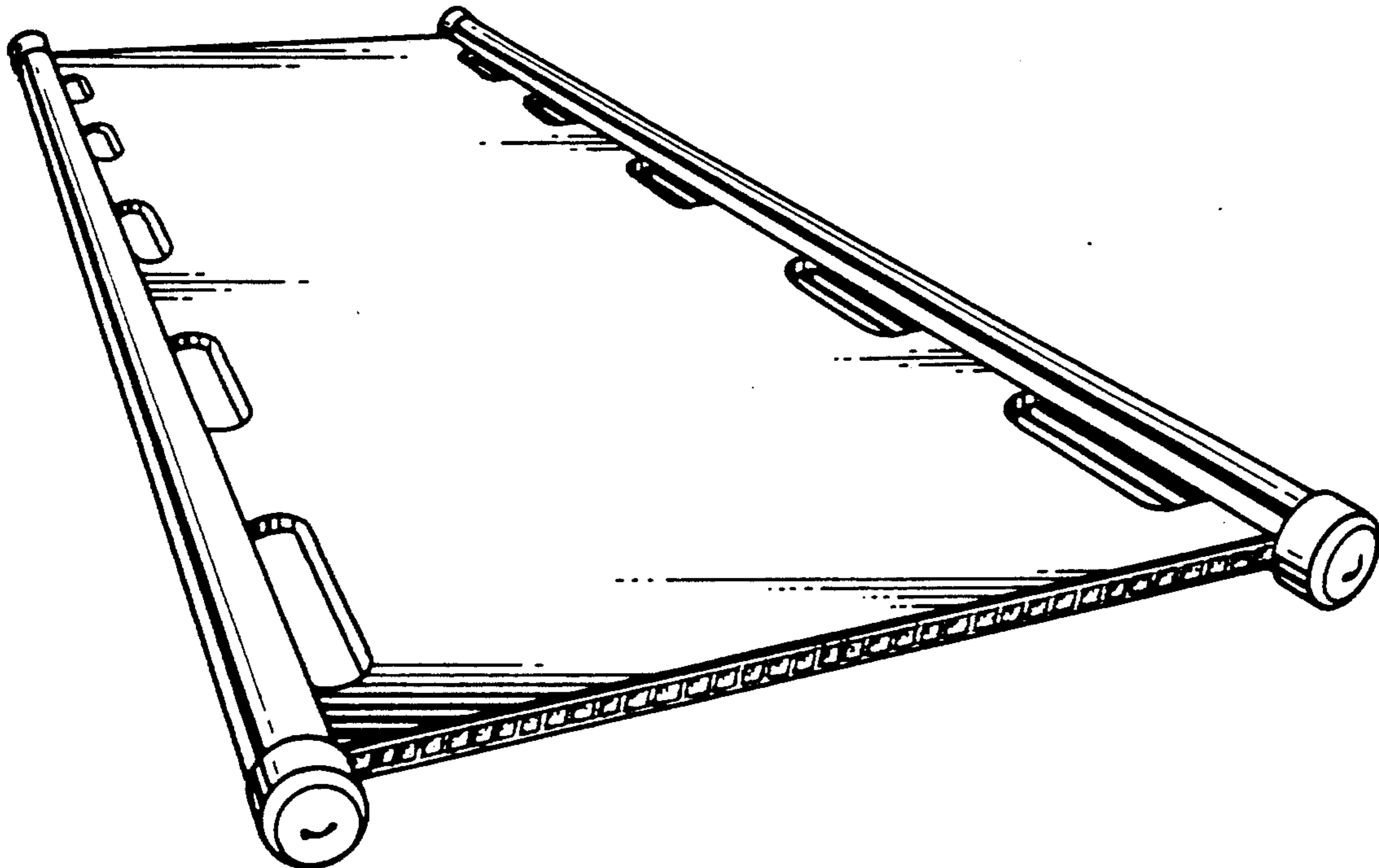
DESCRIPTION

[22] Filed: **Aug. 27, 1992**
[52] U.S. Cl. **D12/128; D12/132**
[58] Field of Search **5/625, 626, 627, 628; D12/128, 132, 133; D24/190**

FIG. 1 is an isometric view of a stretcher showing our new design;

FIG. 2 is a top plan view thereof, the bottom plan view being the same as the top plan view; and,

FIG. 3 is a side elevational view thereof.



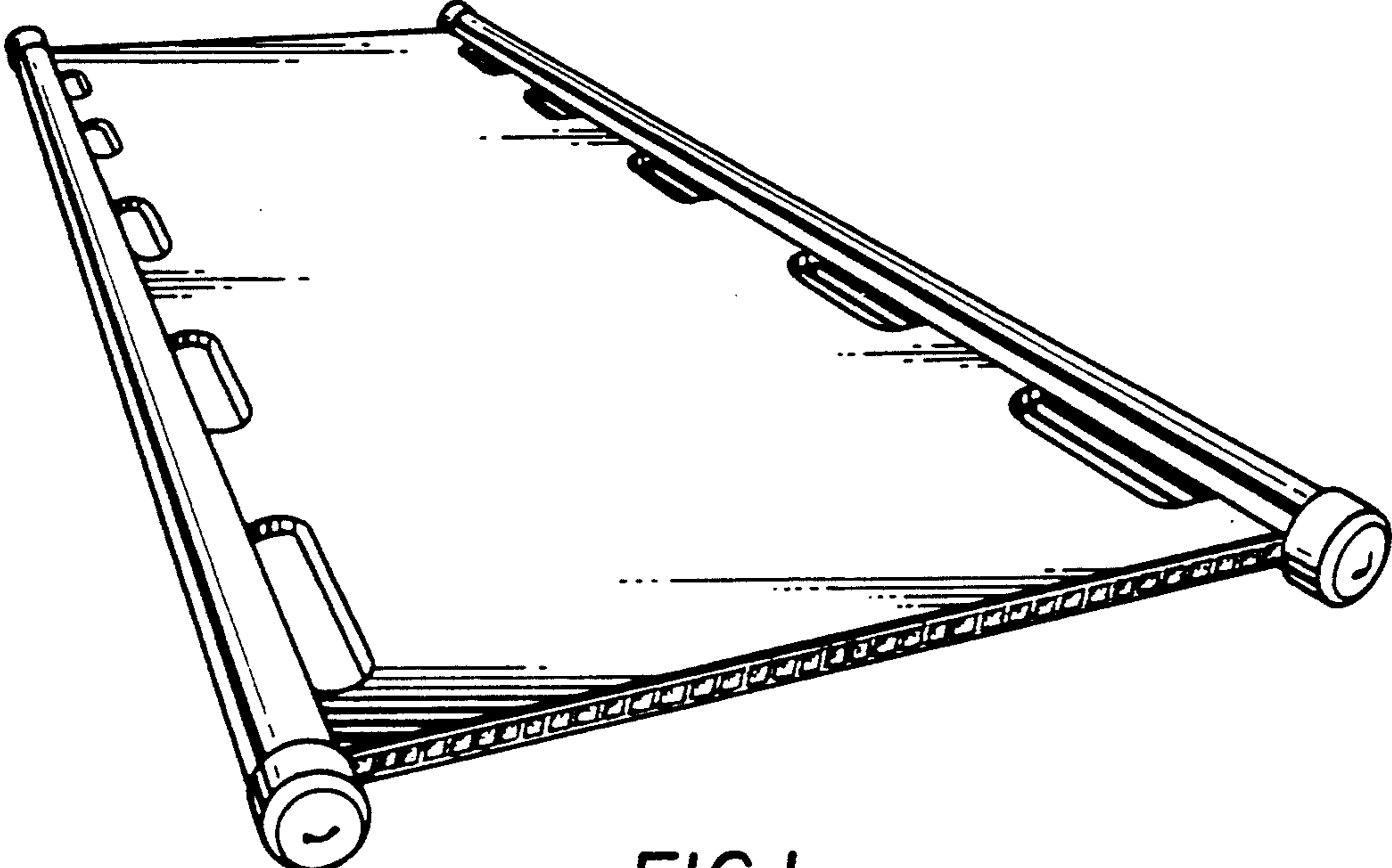


FIG. 1.

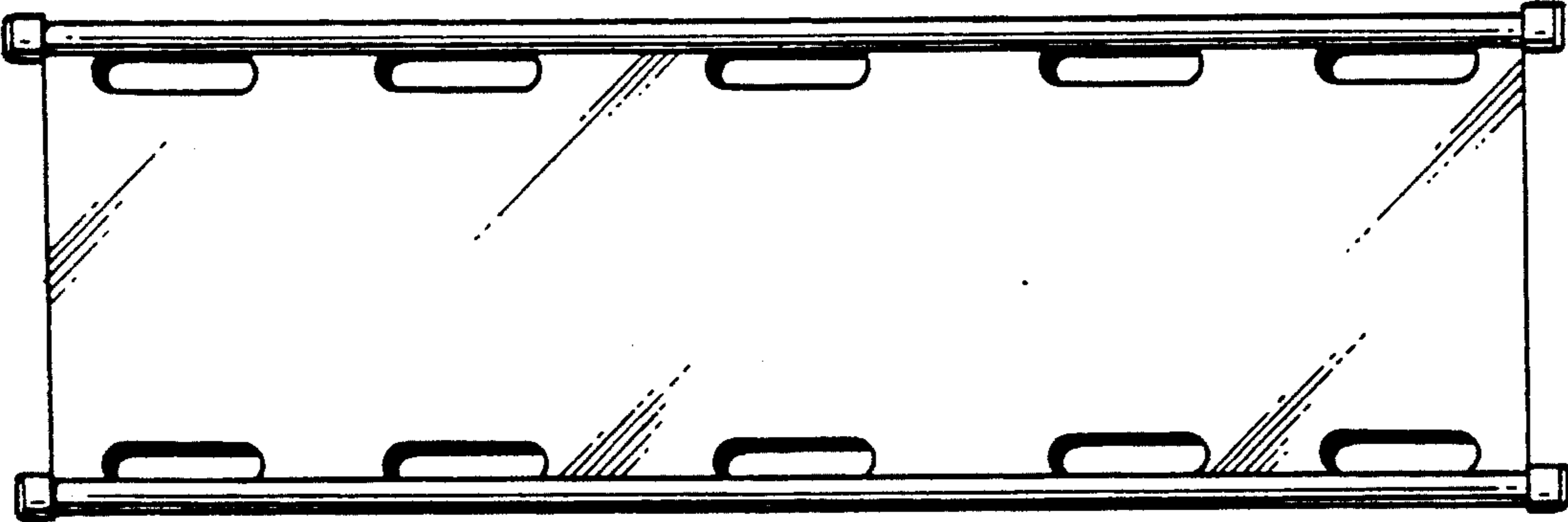


FIG. 2.

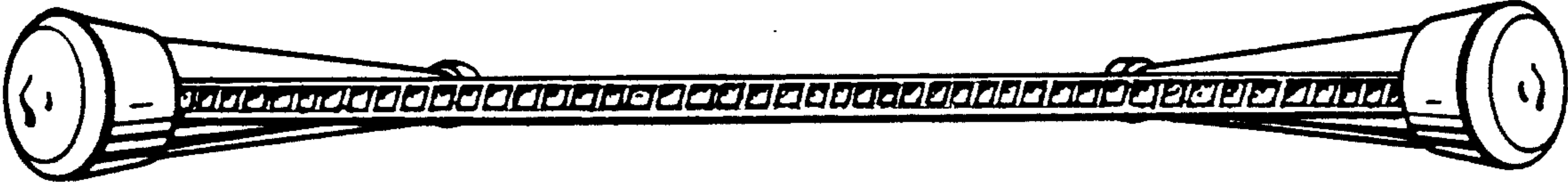


FIG. 3.