



US00D346337S

United States Patent [19]

[11] Patent Number: Des. 346,337

Carey

[45] Date of Patent: ** Apr. 26, 1994

[54] ROUTER TEMPLATE FOR LATCH AND STRIKER PLATE

2,858,617 11/1958 Marchetti 33/194

[76] Inventor: John Carey, 1996 Milford Pl., El Cajon, Calif. 92020

Primary Examiner—Alan P. Douglas
Assistant Examiner—Antoine D. Davis
Attorney, Agent, or Firm—Charles C. Logan, II

[**] Term: 14 Years

[57] CLAIM

[21] Appl. No.: 8,357

The ornamental design for a router template for latch and striker plate, as shown and described.

[22] Filed: May 14, 1993

[52] U.S. Cl. D10/64

[58] Field of Search 33/194, 197, 667, 562;
D10/64, 65

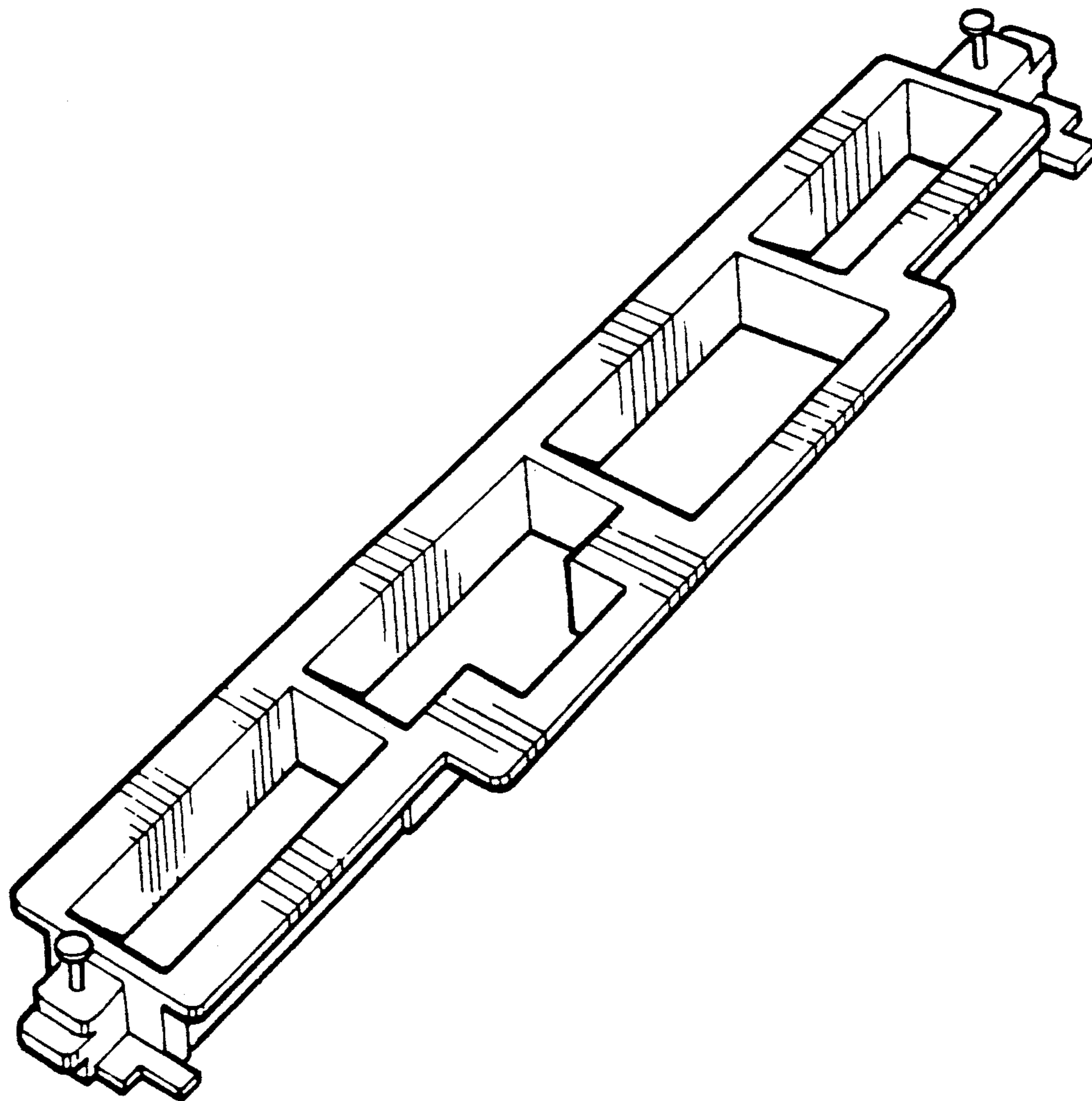
DESCRIPTION

[56] References Cited

U.S. PATENT DOCUMENTS

D. 268,819 5/1983 Ellis D10/64
2,675,676 4/1954 Boatwright 33/197

FIG. 1 is a front perspective view of the novel router template for latch and striker plate;
FIG. 2 is an inverted right end elevation view thereof;
FIG. 3 is a left end elevation view thereof;
FIG. 4 is a bottom plan view thereof;
FIG. 5 is a rear elevation view thereof;
FIG. 6 is a top plan view thereof; and,
FIG. 7 is a front elevation view thereof.



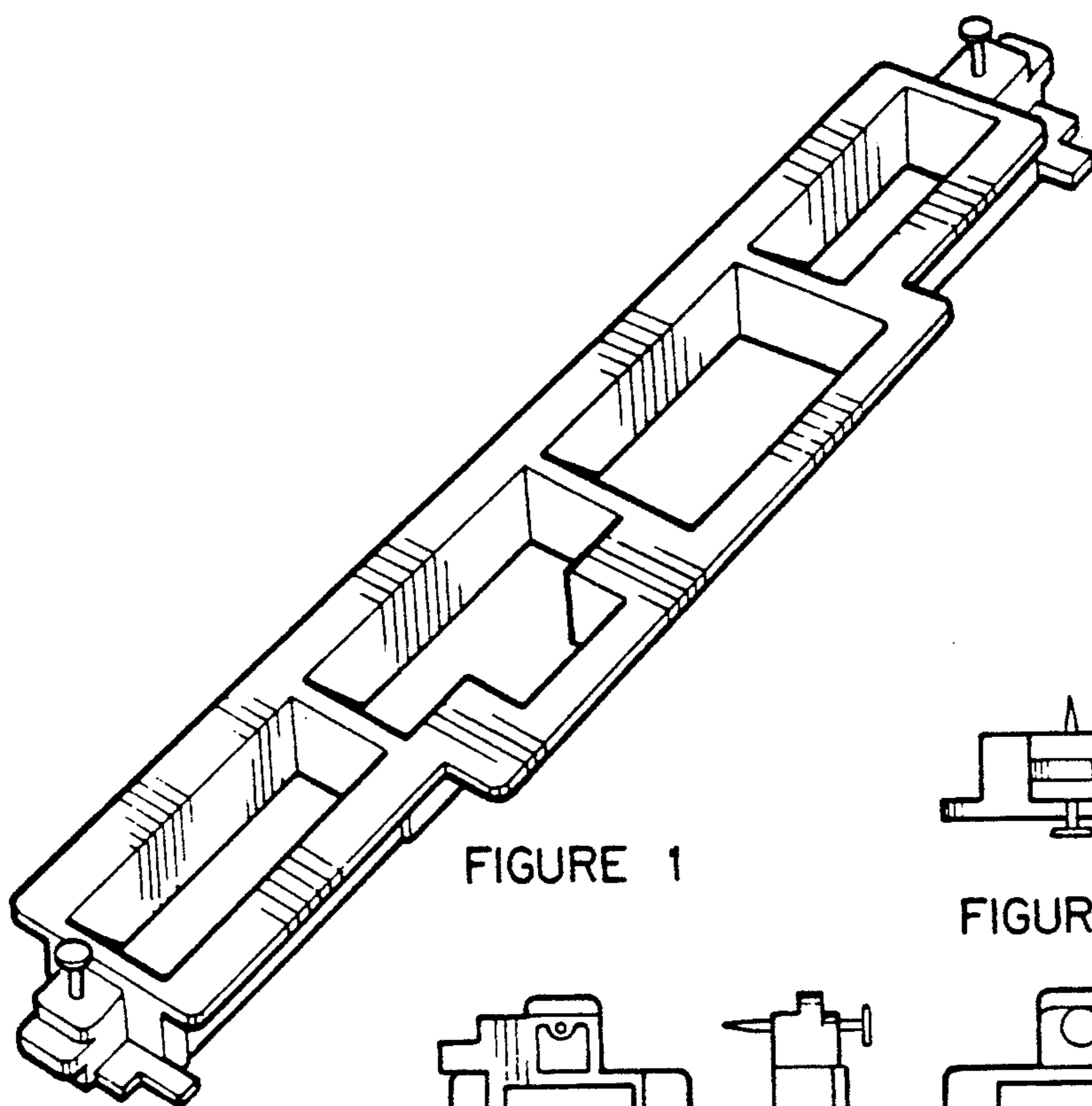


FIGURE 1

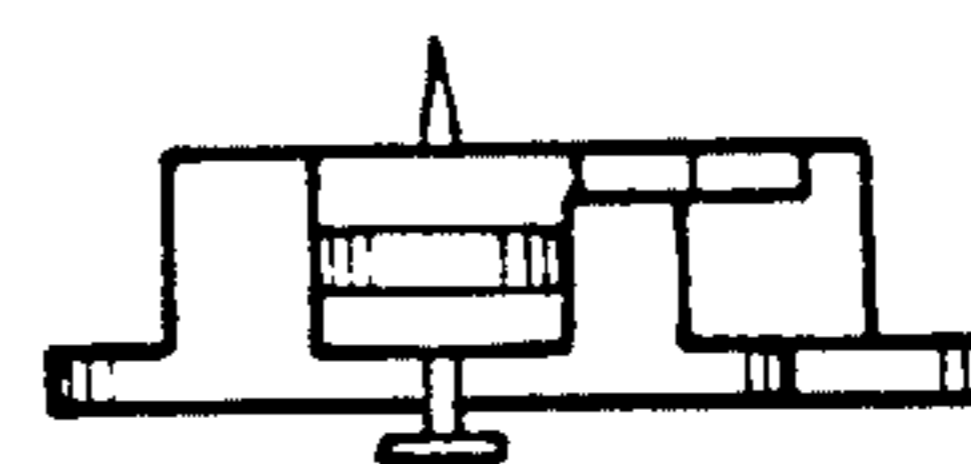


FIGURE 2

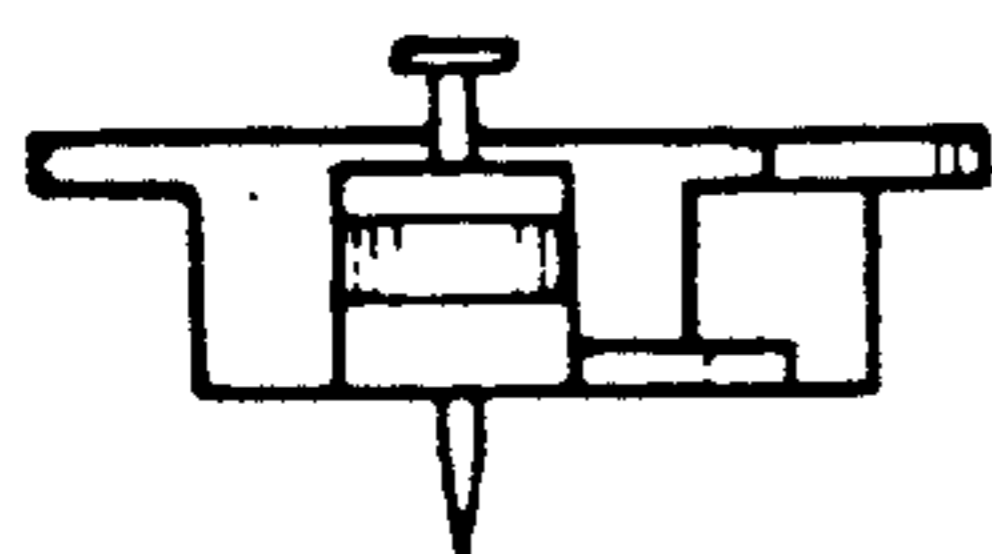


FIGURE 3

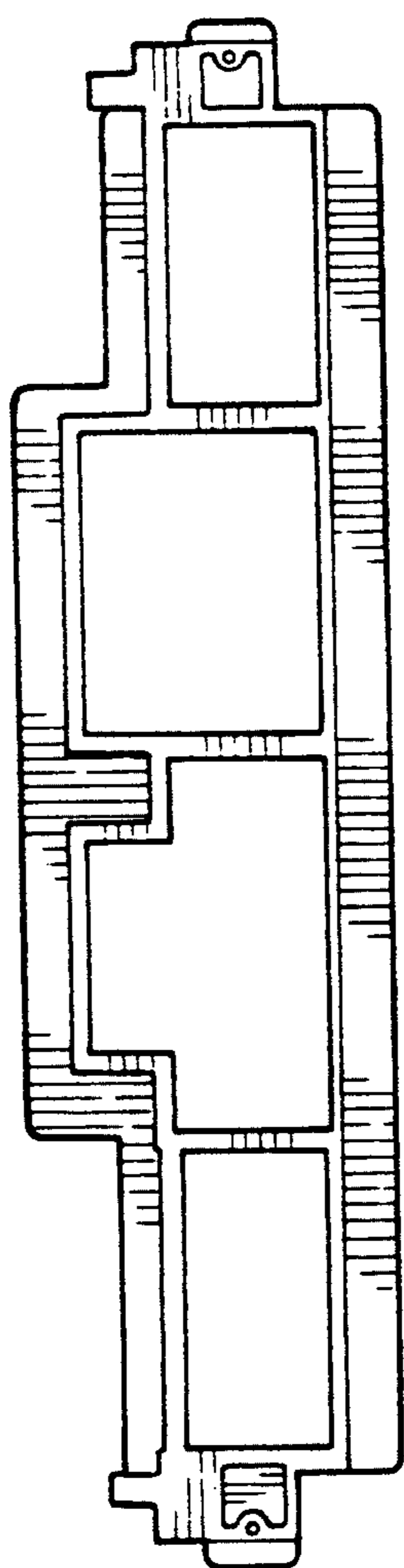


FIGURE 4

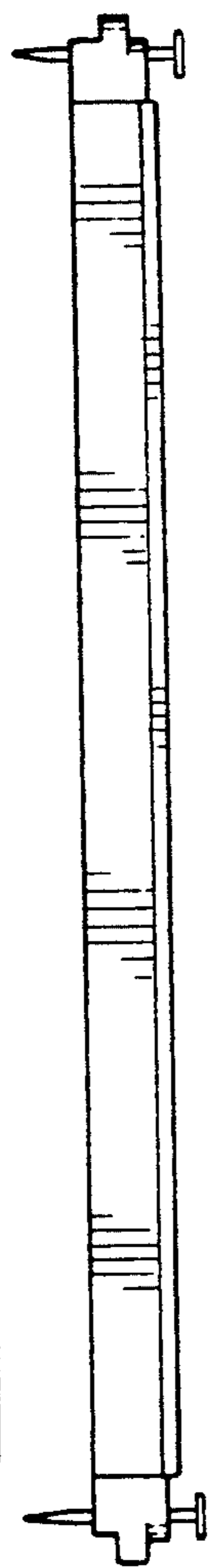


FIGURE 5

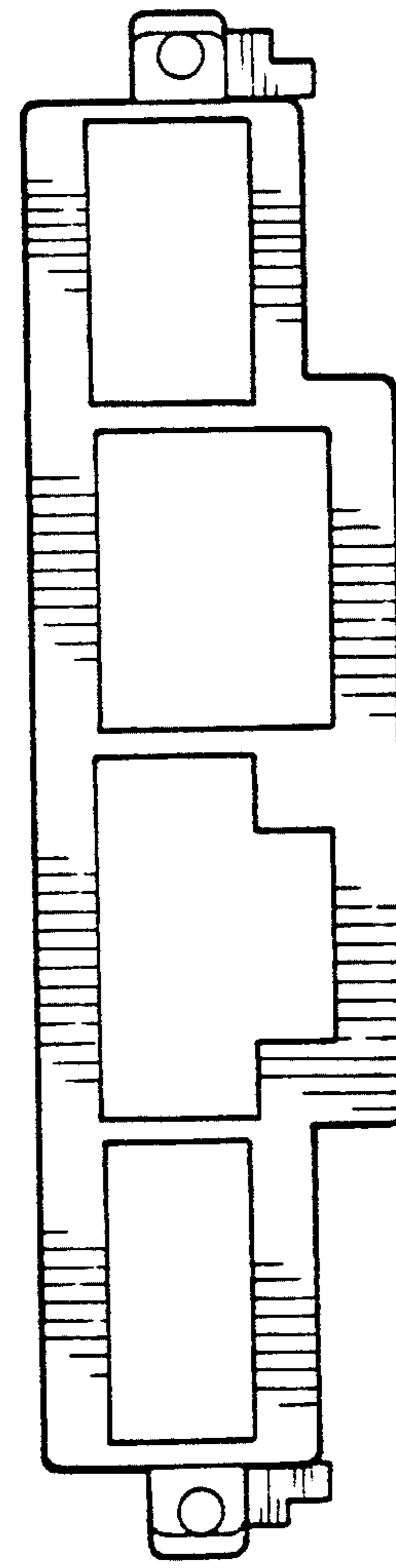


FIGURE 6

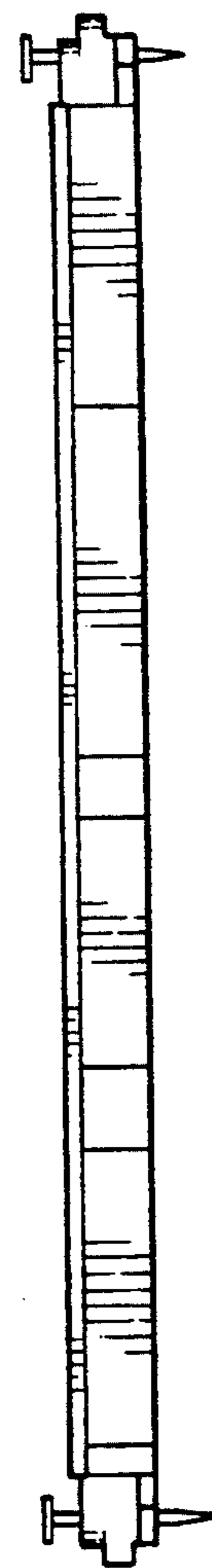


FIGURE 7