



US00D346323S

# United States Patent [19] Morooka

[11] Patent Number: **Des. 346,323**  
[45] Date of Patent: **\*\* Apr. 26, 1994**

[54] **DOUBLE WHEEL CASTER**

[75] Inventor: **Kozo Morooka**, Osaka, Japan  
[73] Assignee: **Daifuku Co., Ltd.**, Osaka, Japan  
[\*\*] Term: **14 Years**  
[21] Appl. No.: **814,687**  
[22] Filed: **Dec. 30, 1991**  
[52] U.S. Cl. .... **D8/375**  
[58] Field of Search ..... **D8/375; 16/18 R, 18 CG, 16/47**

**OTHER PUBLICATIONS**

Magnum Opus Style, 1985, p. 12, caster, center of page.  
International Designs Bulletin, Aug. 1982, p. 1342, caster located in middle of page.  
Colson Catalog, Dec. 6, 1989, caster, item A located on center left of page.  
Payson Casters, Jul. 5, 1988, p. 44, caster, located at bottom of page.

*Primary Examiner*—Susan J. Lucas  
*Assistant Examiner*—H. Baynham  
*Attorney, Agent, or Firm*—Edwin E. Greigg; Ronald E. Greigg

[56] **References Cited**

**U.S. PATENT DOCUMENTS**

D. 220,938	6/1971	Harlang .....	D8/375
D. 240,399	7/1976	Crescenzi .....	D8/375
D. 241,004	8/1976	Pinaire .....	D8/375
D. 241,611	9/1976	Crescenzi .....	D8/375
D. 244,989	7/1977	Crescenzi .....	D8/375
D. 288,286	2/1987	Screen .....	D8/375
D. 329,011	9/1992	Block .....	D8/375
D. 334,884	4/1993	Harada .....	D8/375
3,997,938	12/1976	Pinaire et al. ....	16/47 X
4,773,122	9/1988	Wilcox .....	16/18 R
5,014,392	5/1991	Melara .....	16/47 X

[57] **CLAIM**

The ornamental design for a double wheel caster, as shown and described.

**DESCRIPTION**

FIG. 1 is a plan view of a double wheel caster showing my new design;  
FIG. 2 is a front view;  
FIG. 3 is a bottom view;  
FIG. 4 is a right side view;  
FIG. 5 is a perspective view; and,  
FIG. 6 is a section taken on a line A—A of FIG. 4.

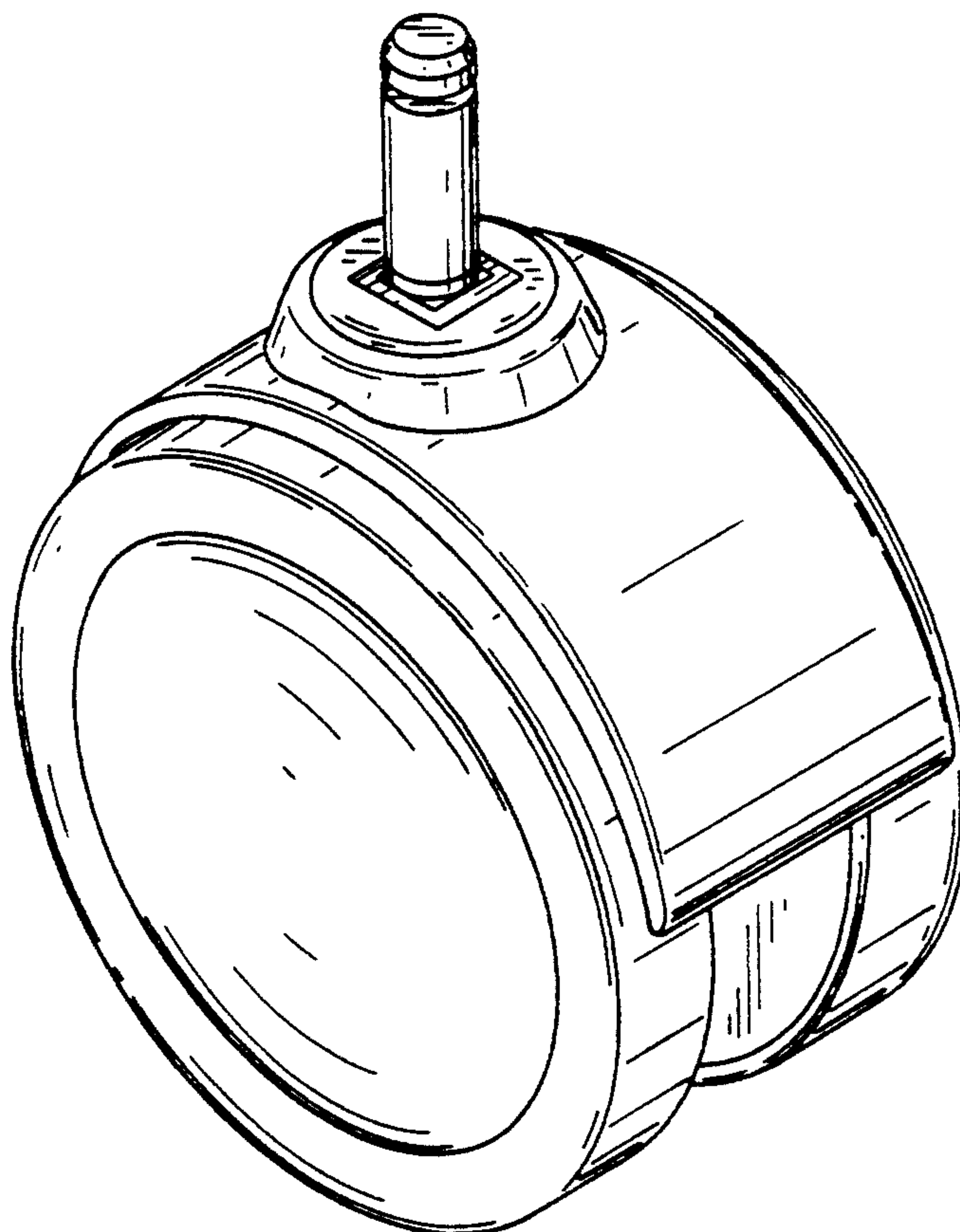


FIG. 1

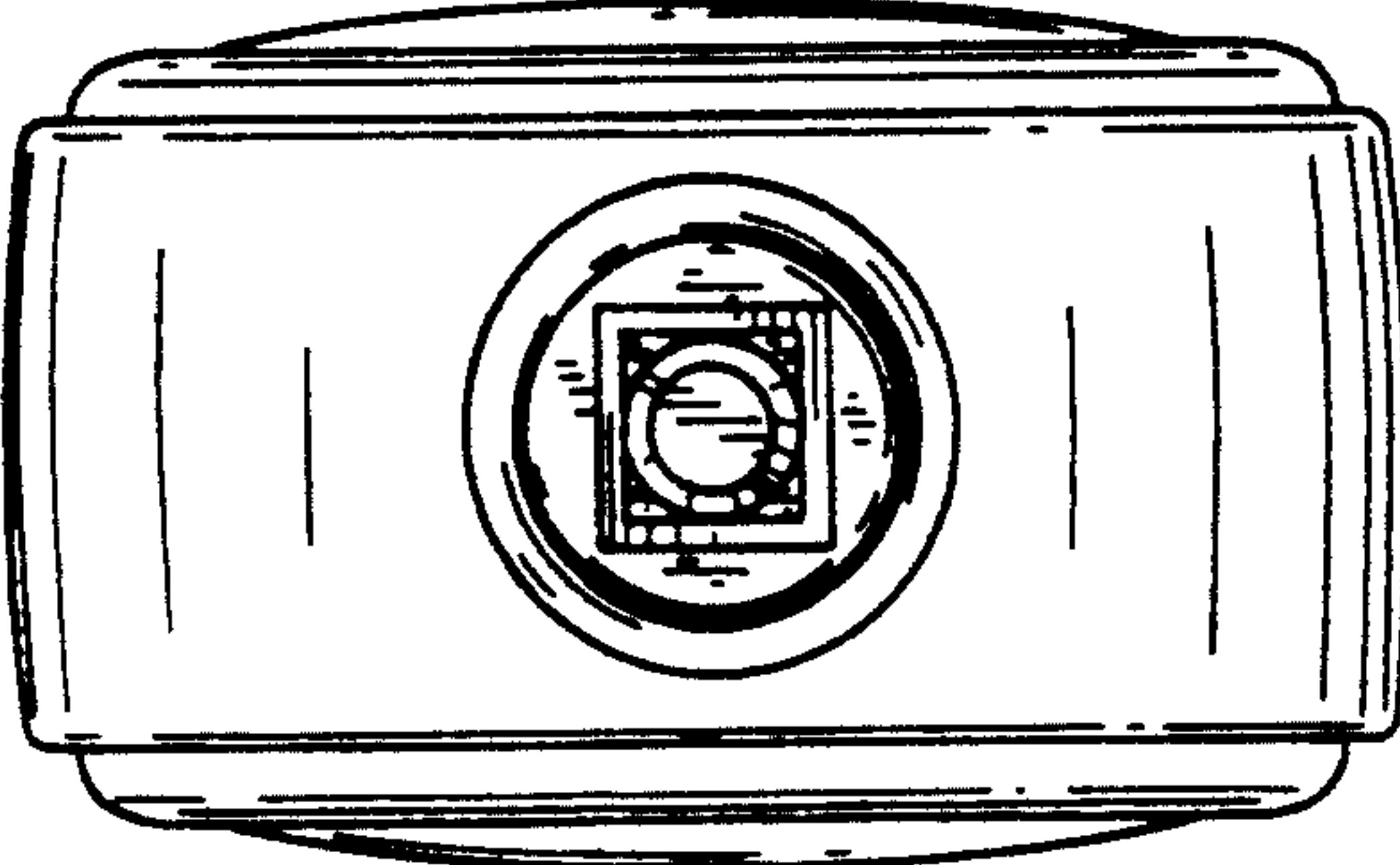


FIG. 2

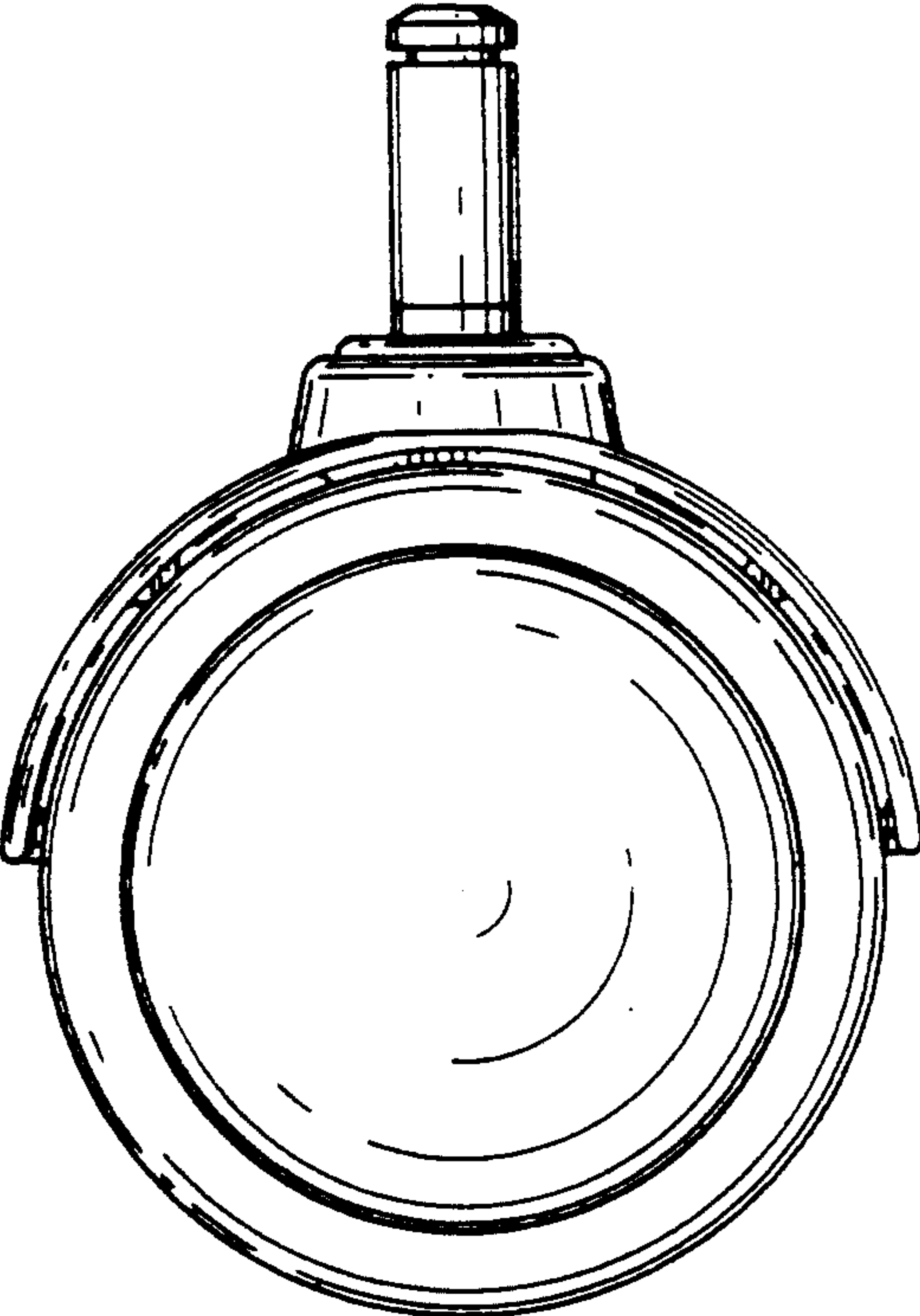


FIG. 3

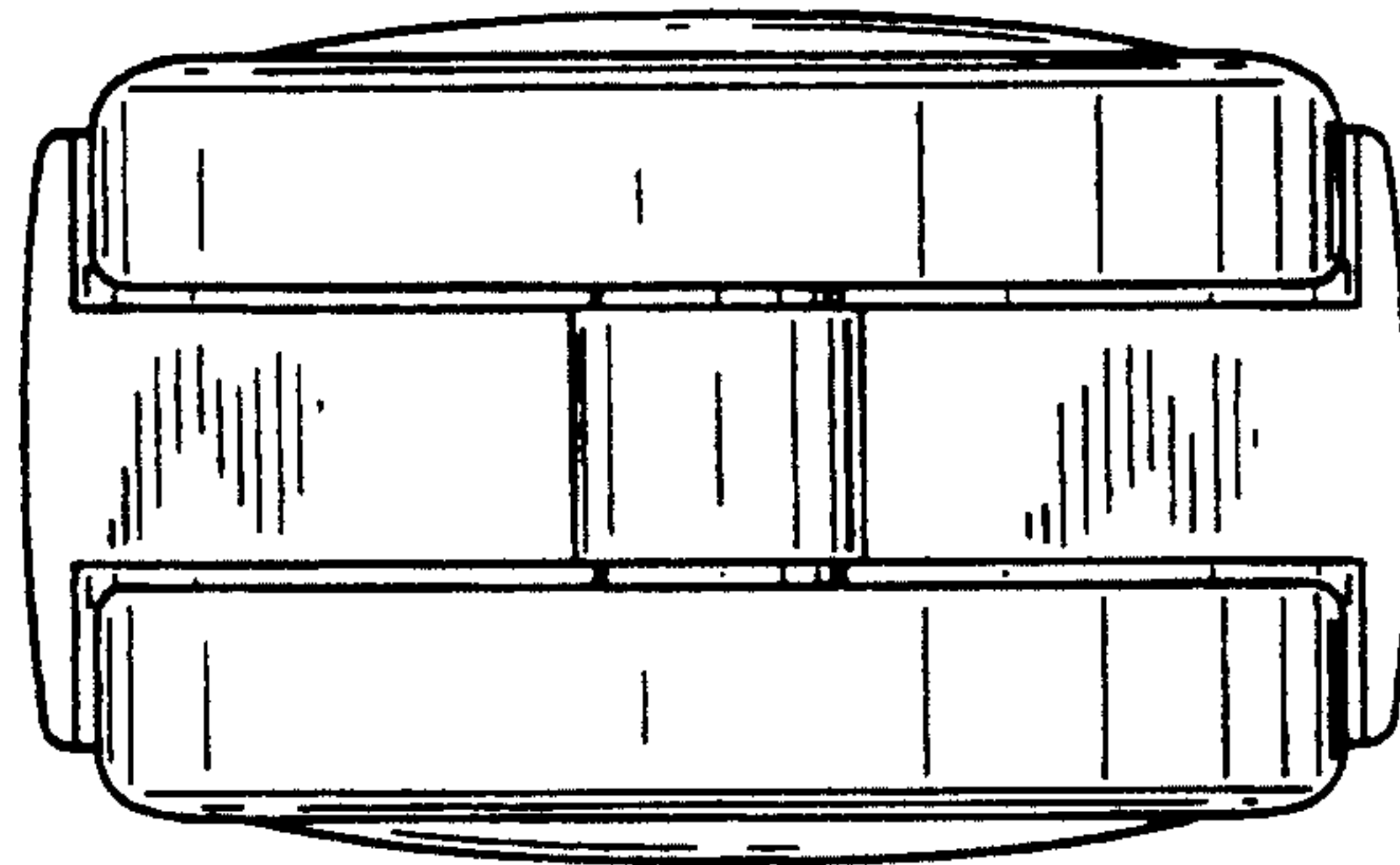


FIG. 4

