



US00D346322S

United States Patent [19]

[11] Patent Number: **Des. 346,322**

Ziaylek, Jr. et al.

[45] Date of Patent: **** Apr. 26, 1994**

[54] **ELECTRICALLY MONITORED COUPLING DEVICE**

[76] Inventors: **Theodore Ziaylek, Jr.**, 140 Riverview Dr.; **Michael P. Ziaylek**, 3 Brook La., both of Yardley, Pa. 19067

[**] Term: **14 Years**

[21] Appl. No.: **9,891**

[22] Filed: **Jun. 24, 1993**

[52] U.S. Cl. **D8/349; D8/354**

[58] Field of Search **D8/349, 354, 382-387, D8/394-398; 24/643-651, 603**

[56] **References Cited**

U.S. PATENT DOCUMENTS

5,185,910 2/1993 Ziaylek, Jr. et al. 24/650

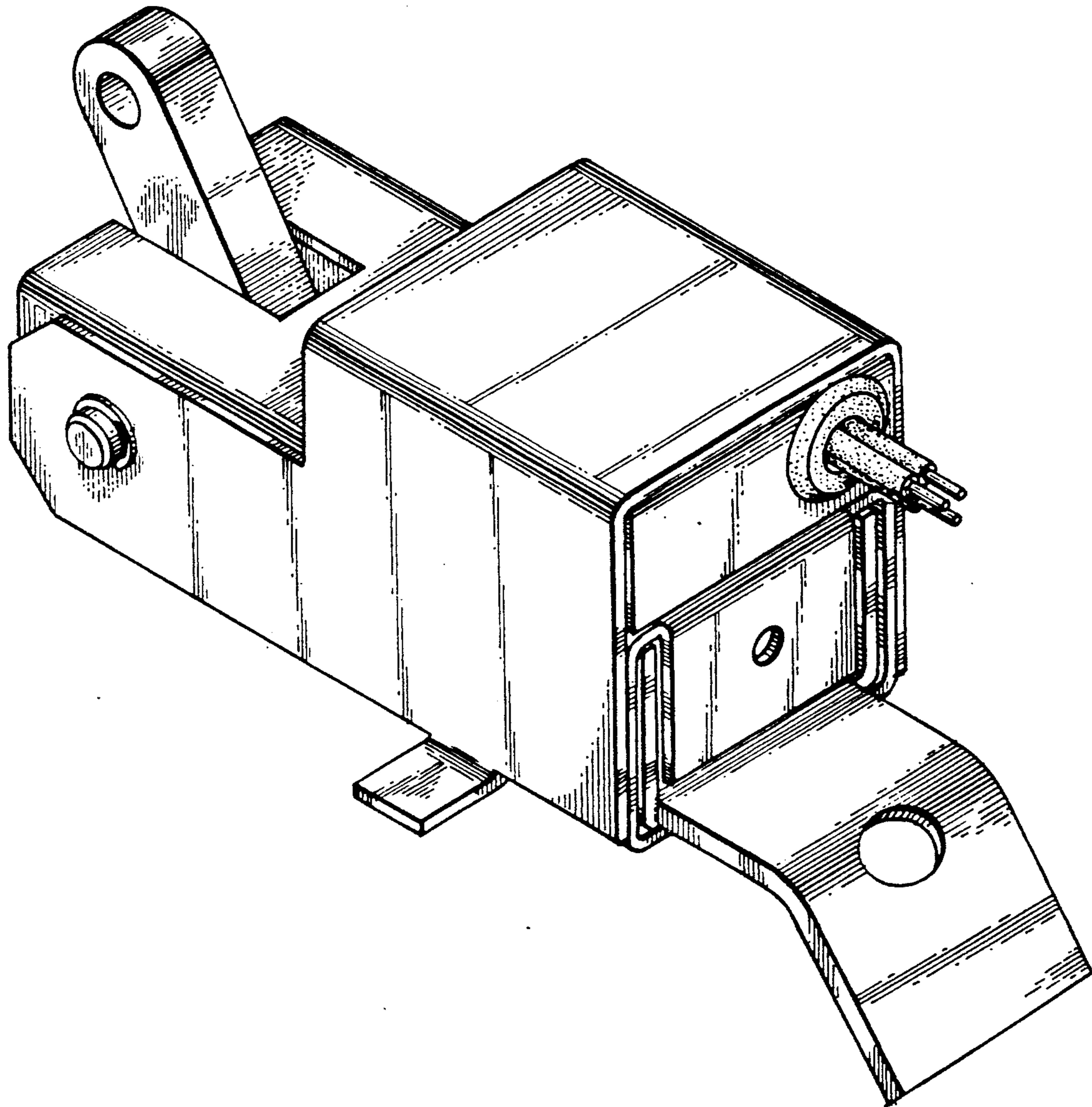
Primary Examiner—Alan P. Douglas
Assistant Examiner—Antoine Davis
Attorney, Agent, or Firm—Sperry, Zoda & Kane

[57] **CLAIM**

The ornamental design for an electrically monitored coupling device, as shown and described.

DESCRIPTION

FIG. 1 is a perspective view of the present invention embodying our new design;
FIG. 2 is a front plan view;
FIG. 3 is a rear plan view;
FIG. 4 is a top plan view;
FIG. 5 is a side plan view, the opposite side plan view being a mirror image; and,
FIG. 6 is a bottom plan view.



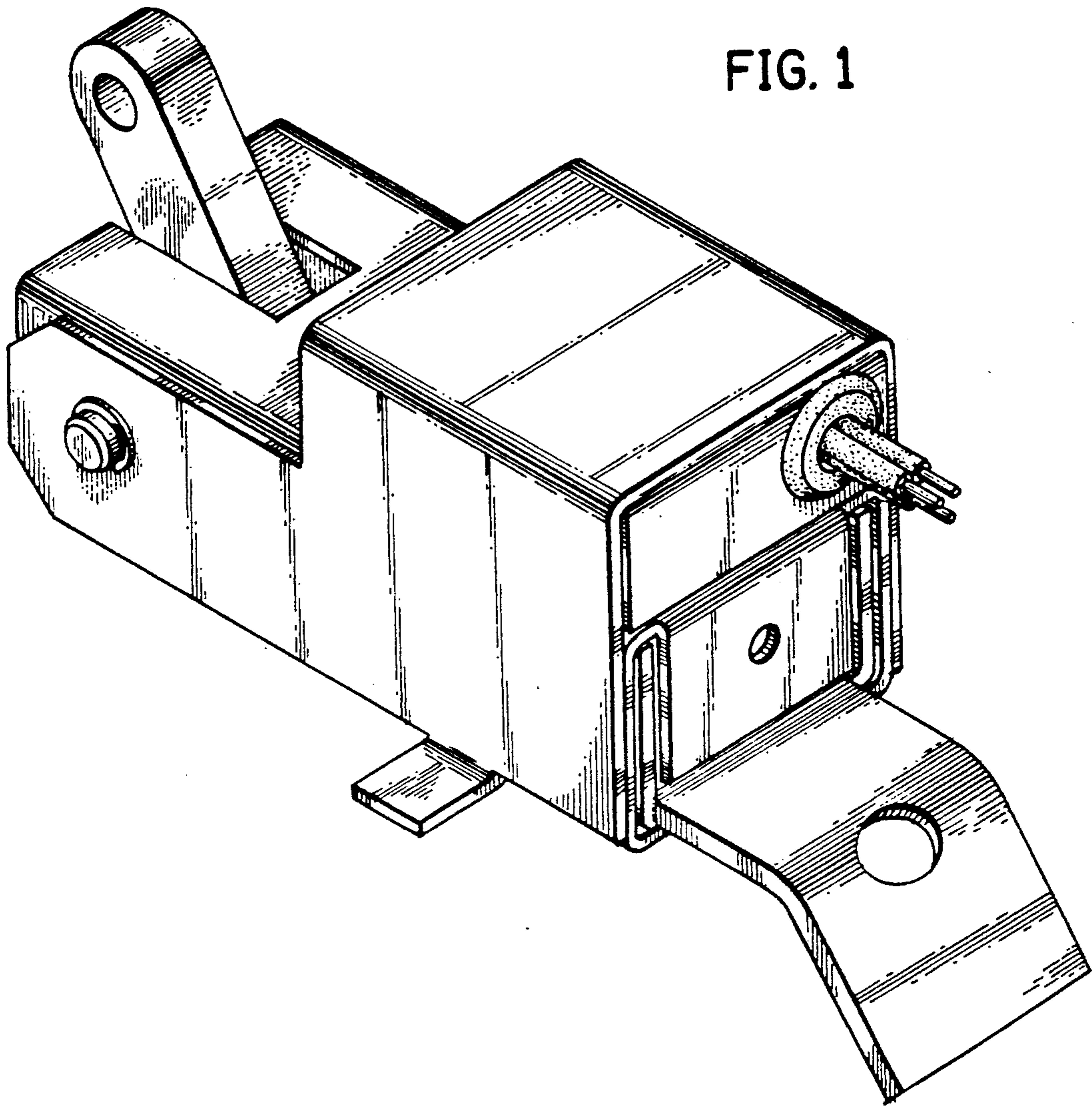


FIG. 1

FIG. 3

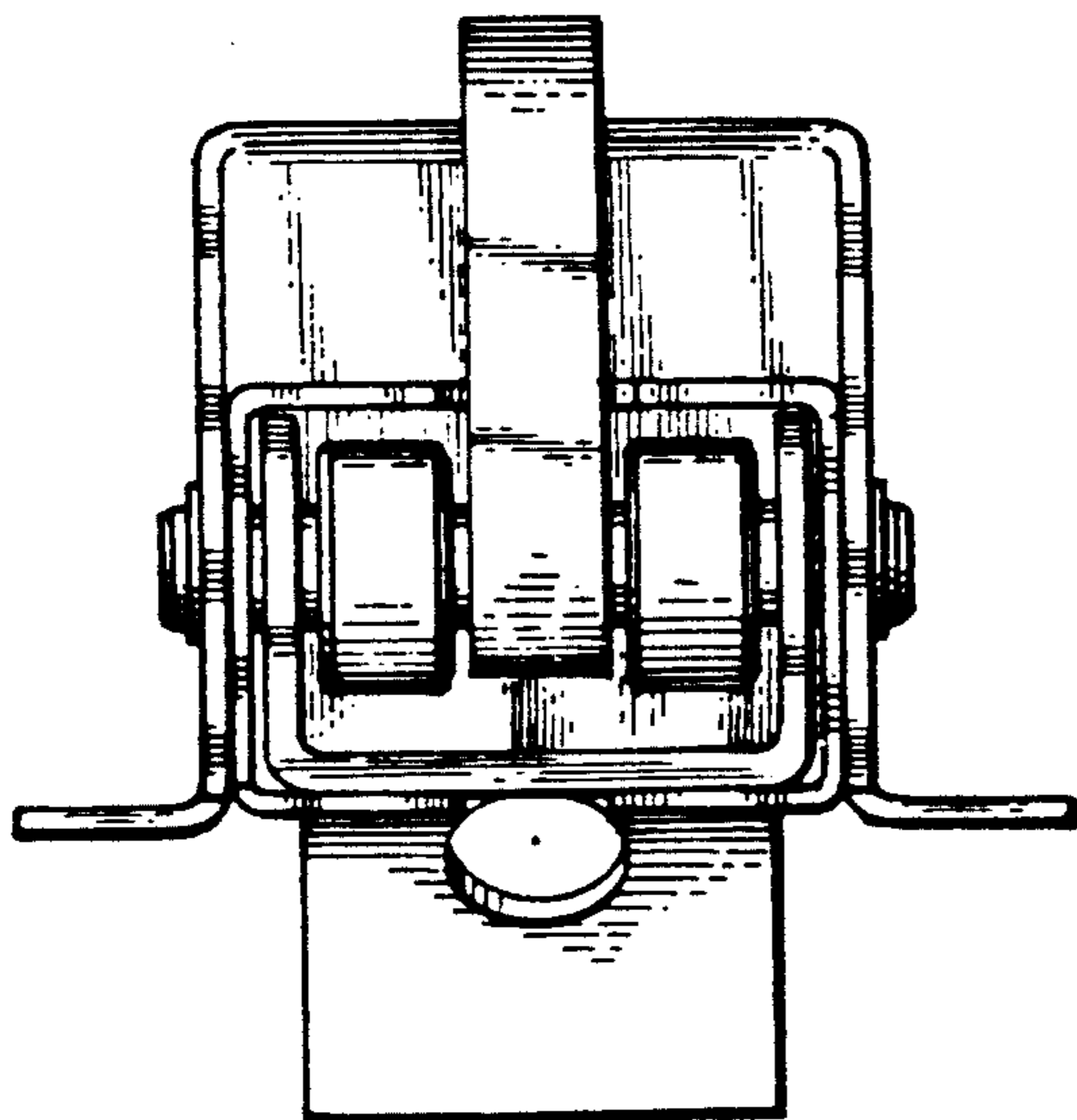


FIG. 2

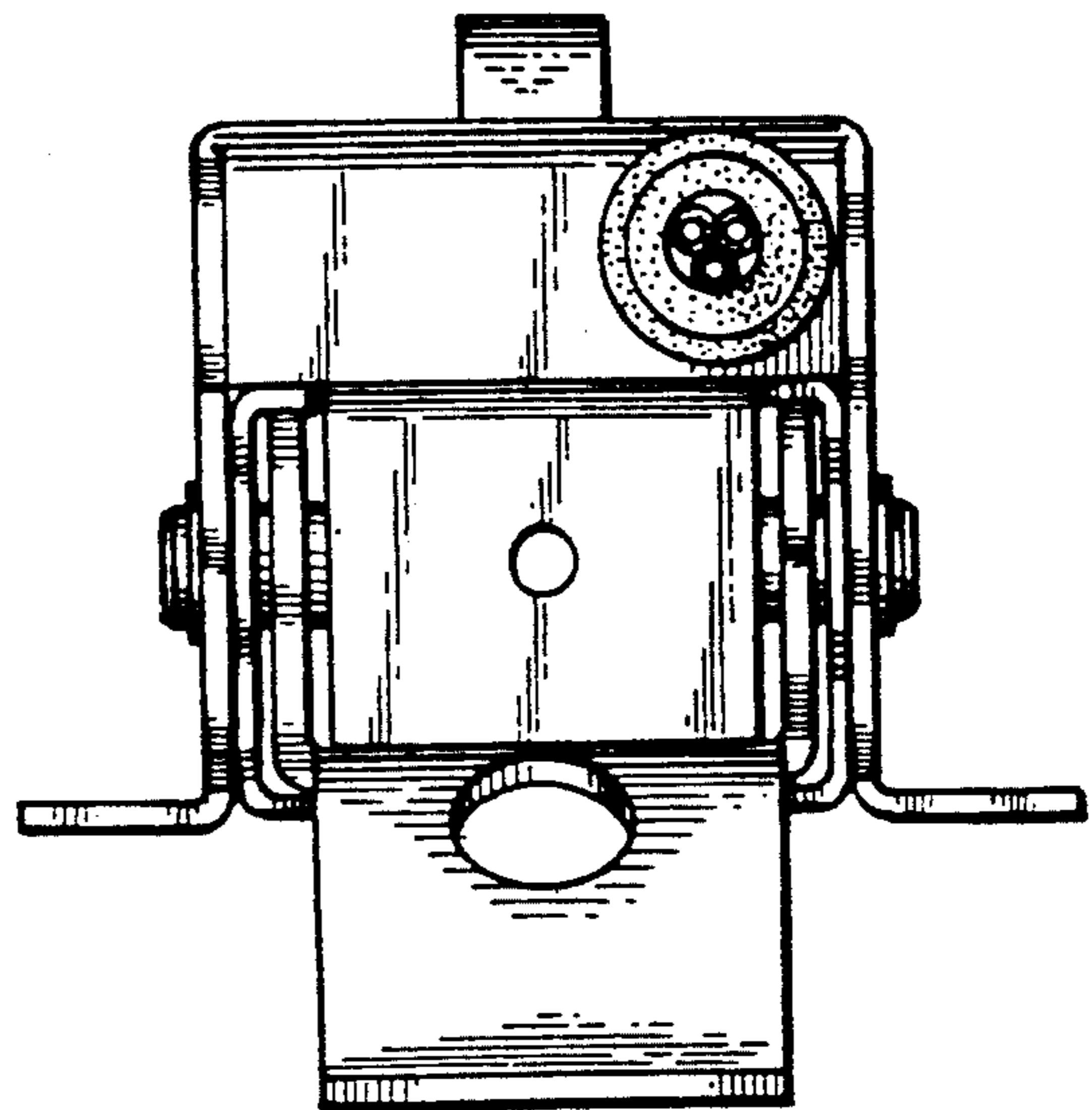


FIG. 4

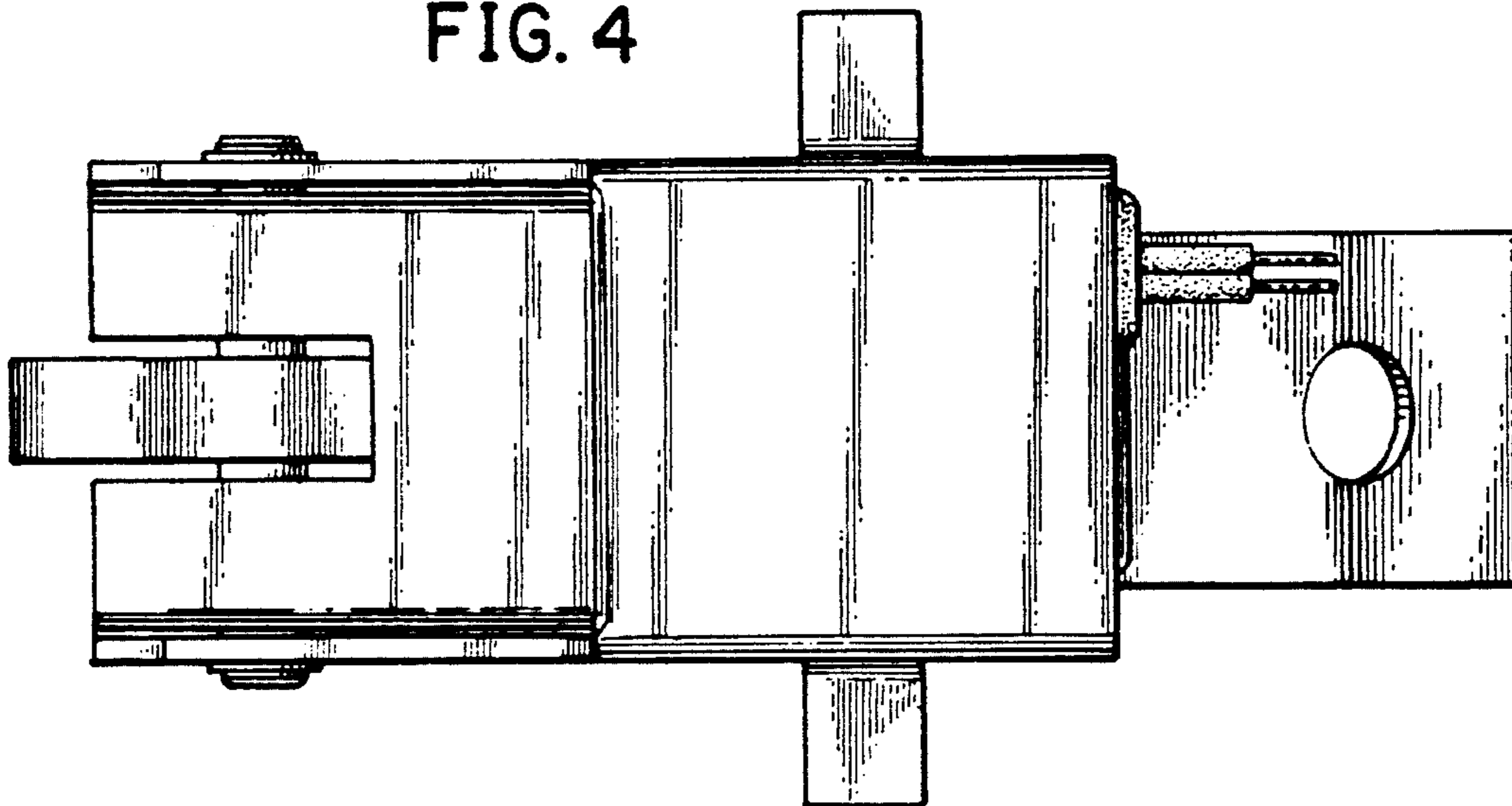


FIG. 5

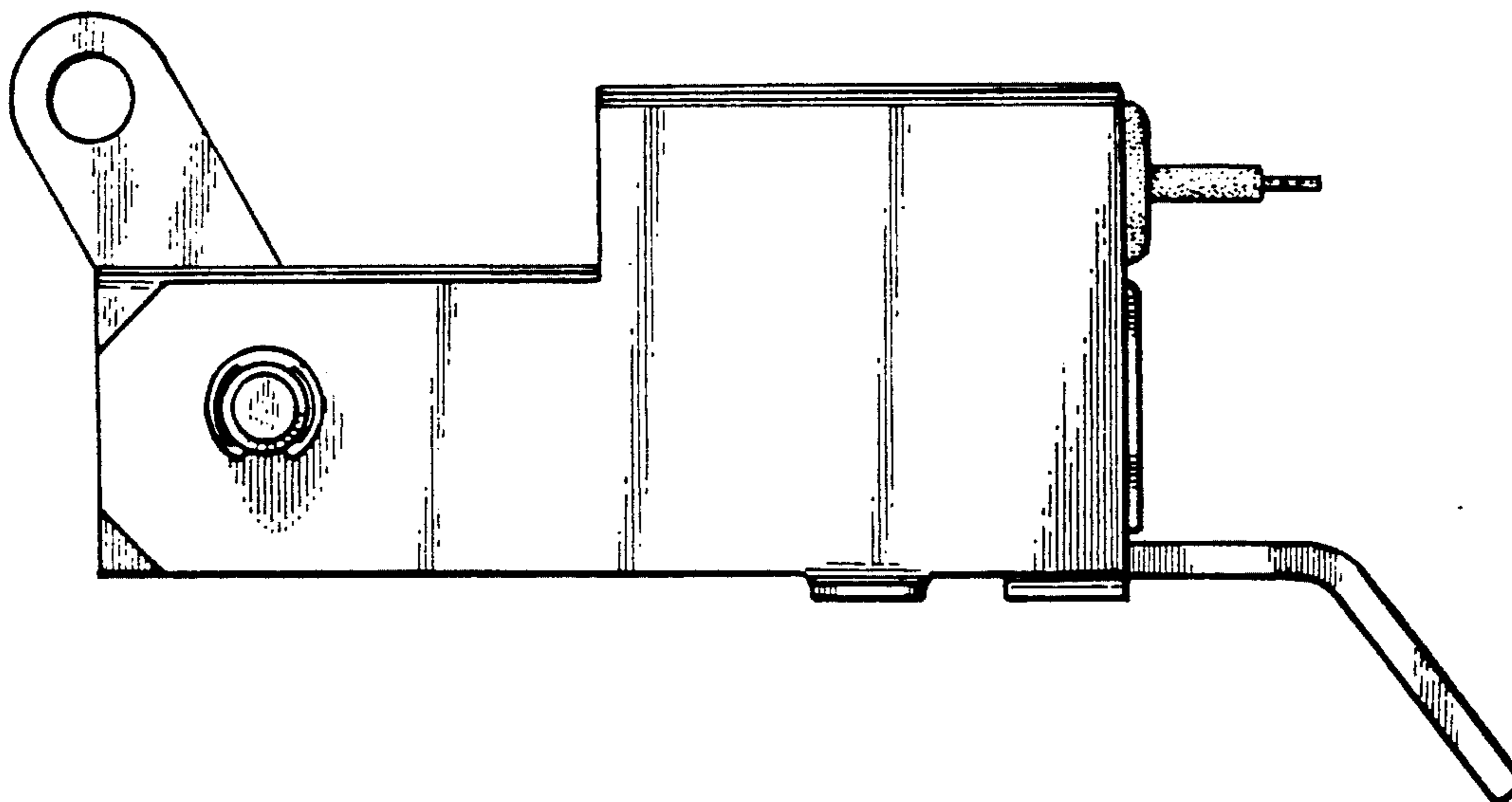


FIG. 6

