



US00D346314S

United States Patent [19]

[11] Patent Number: **Des. 346,314**

Careri et al.

[45] Date of Patent: **** Apr. 26, 1994**

[54] **KIT FOR HANDLING COLLAPSIBLE FOOD CONTAINERS**

Primary Examiner—Bernard Ansher
Assistant Examiner—Philip Hyder
Attorney, Agent, or Firm—Terry M. Gernstein

[76] Inventors: **Buddy Careri; Kim Careri**, both of
12510 SW. 11th Ct., Davie, Fla.
33325

[57] **CLAIM**

[**] Term: **14 Years**

The ornamental design for a kit for handling collapsible food containers, as shown and described.

[21] Appl. No.: **779,647**

DESCRIPTION

[22] Filed: **Oct. 18, 1991**

FIG. 1 is a perspective view of a kit for handling collapsible food containers, showing my new design;
FIG. 2 is a front elevational view of the case portion of the kit;

[52] U.S. Cl. **D8/14**

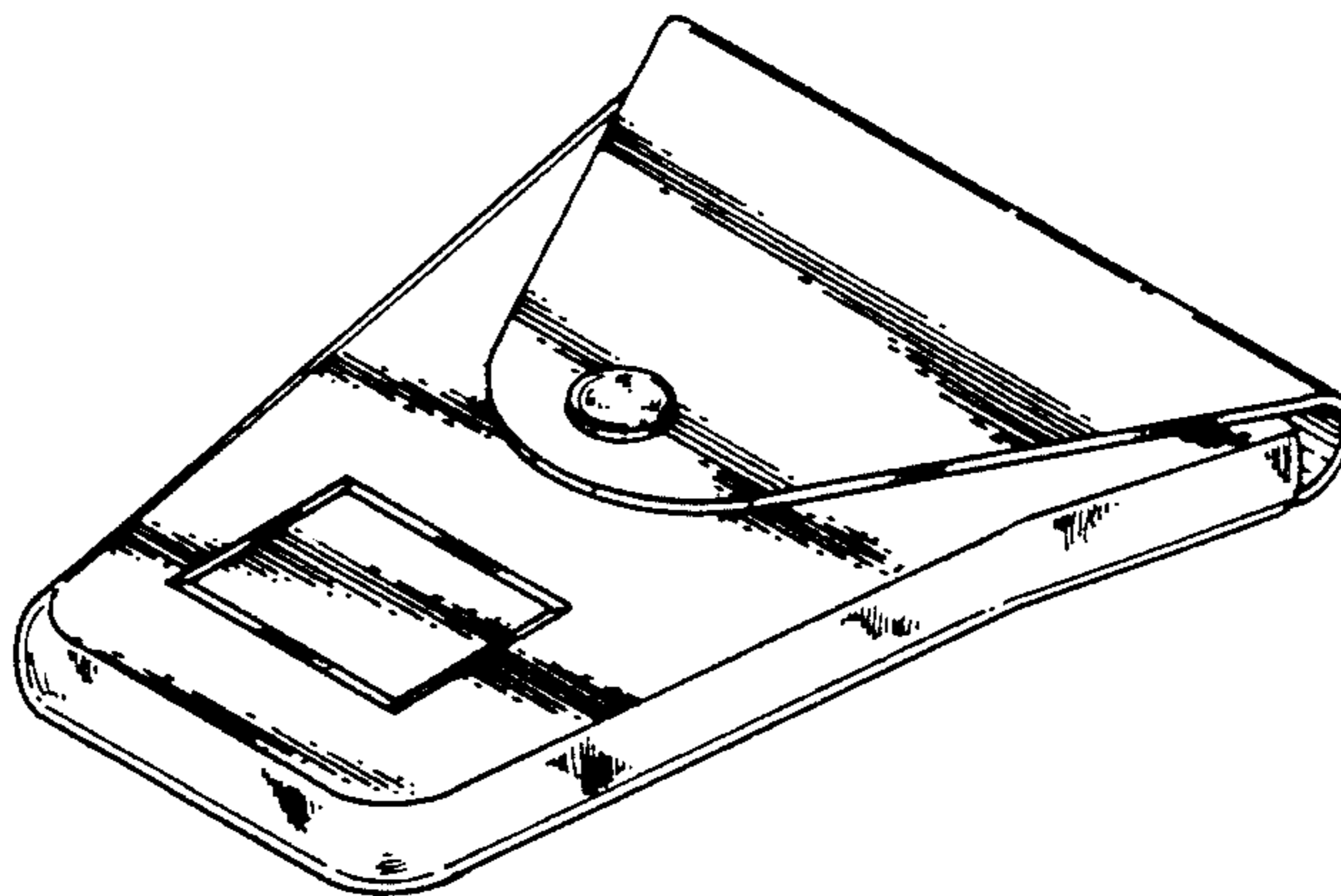
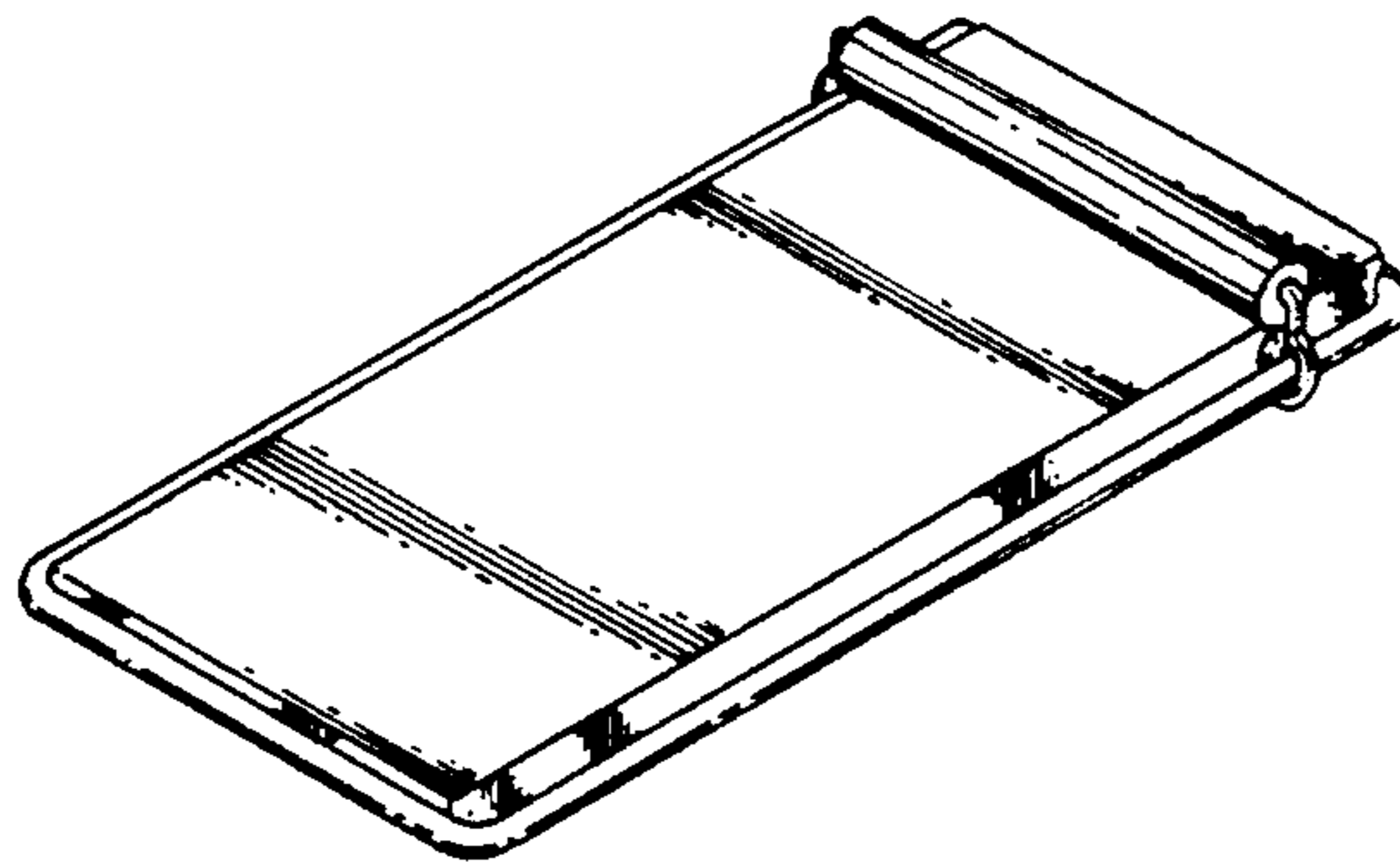
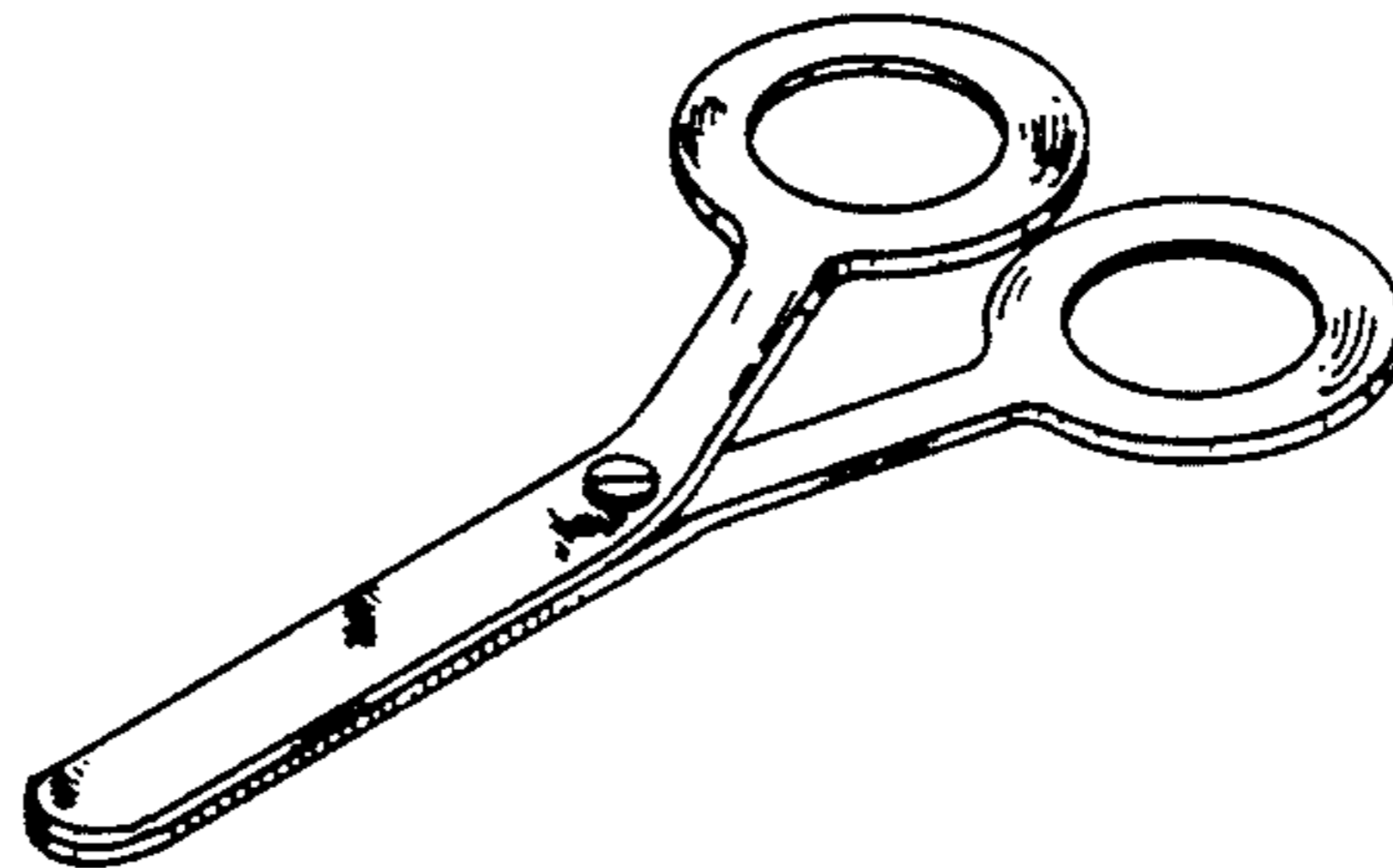
[58] Field of Search D3/100, 106, 39, 79;
D8/14, 18, 33, 34; D6/541

FIG. 3 is a rear elevational view of FIG. 2;
FIG. 4 is a right side elevational view of FIG. 2;
FIG. 5 is a top plan view of FIG. 2;
FIG. 6 is a bottom plan view of FIG. 2;
FIG. 7 is a top plan view of FIG. 1; and,
FIG. 8 is a bottom plan view of FIG. 1.

[56] **References Cited**

U.S. PATENT DOCUMENTS

3,738,533	6/1973	Bertrand	222/102
3,747,806	7/1973	Goings	222/102
3,938,474	2/1976	Goings	222/102



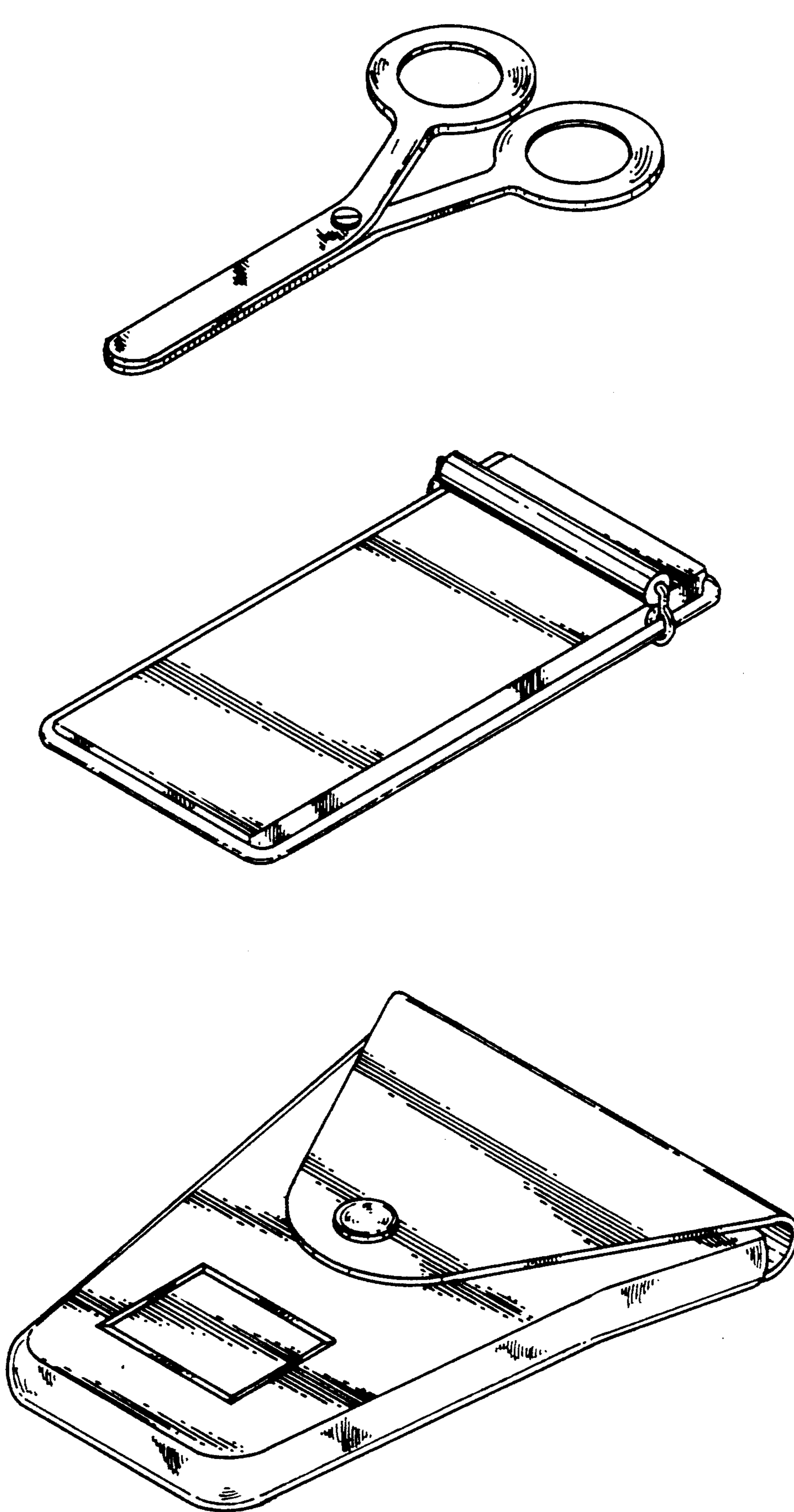
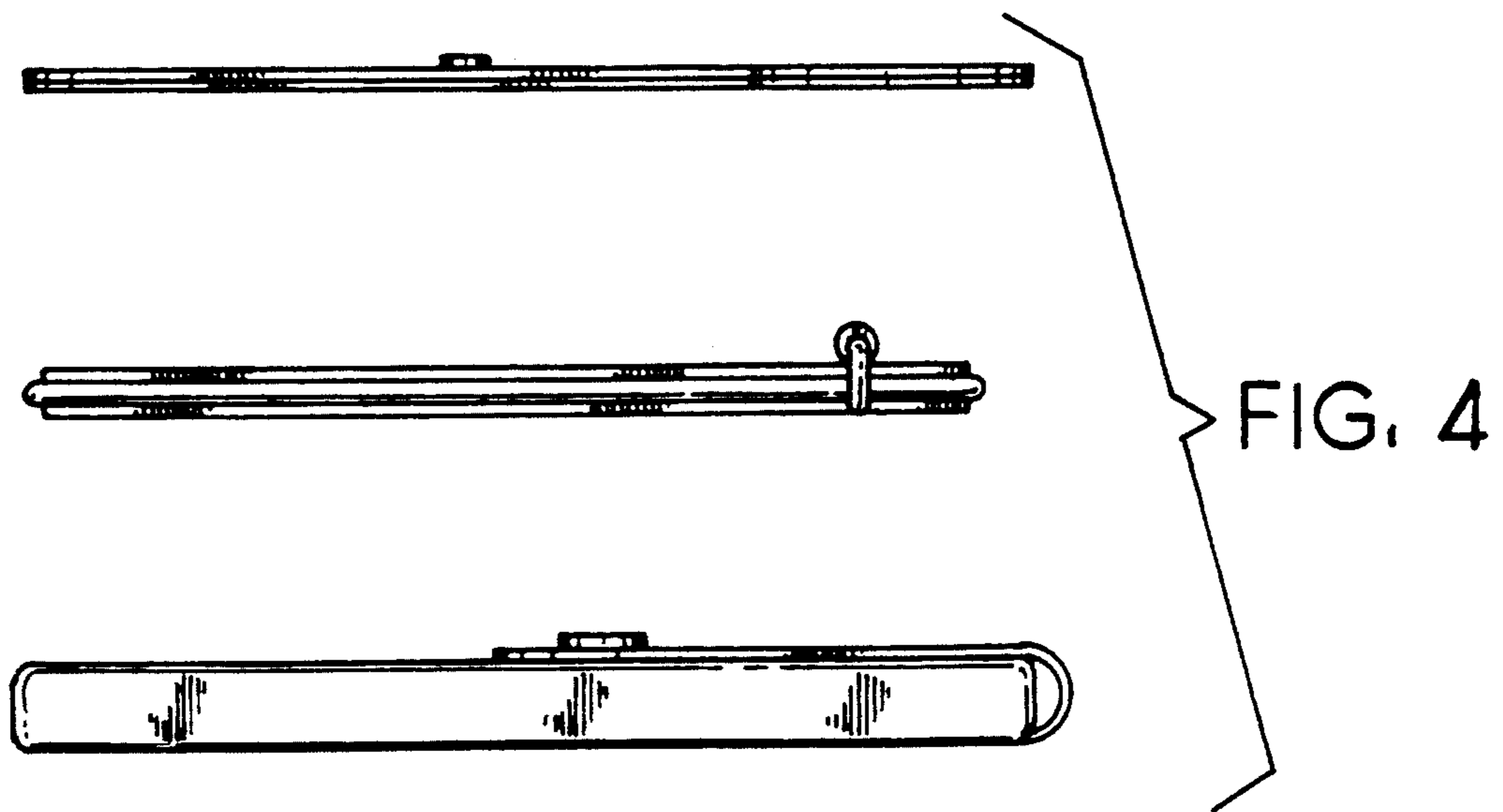
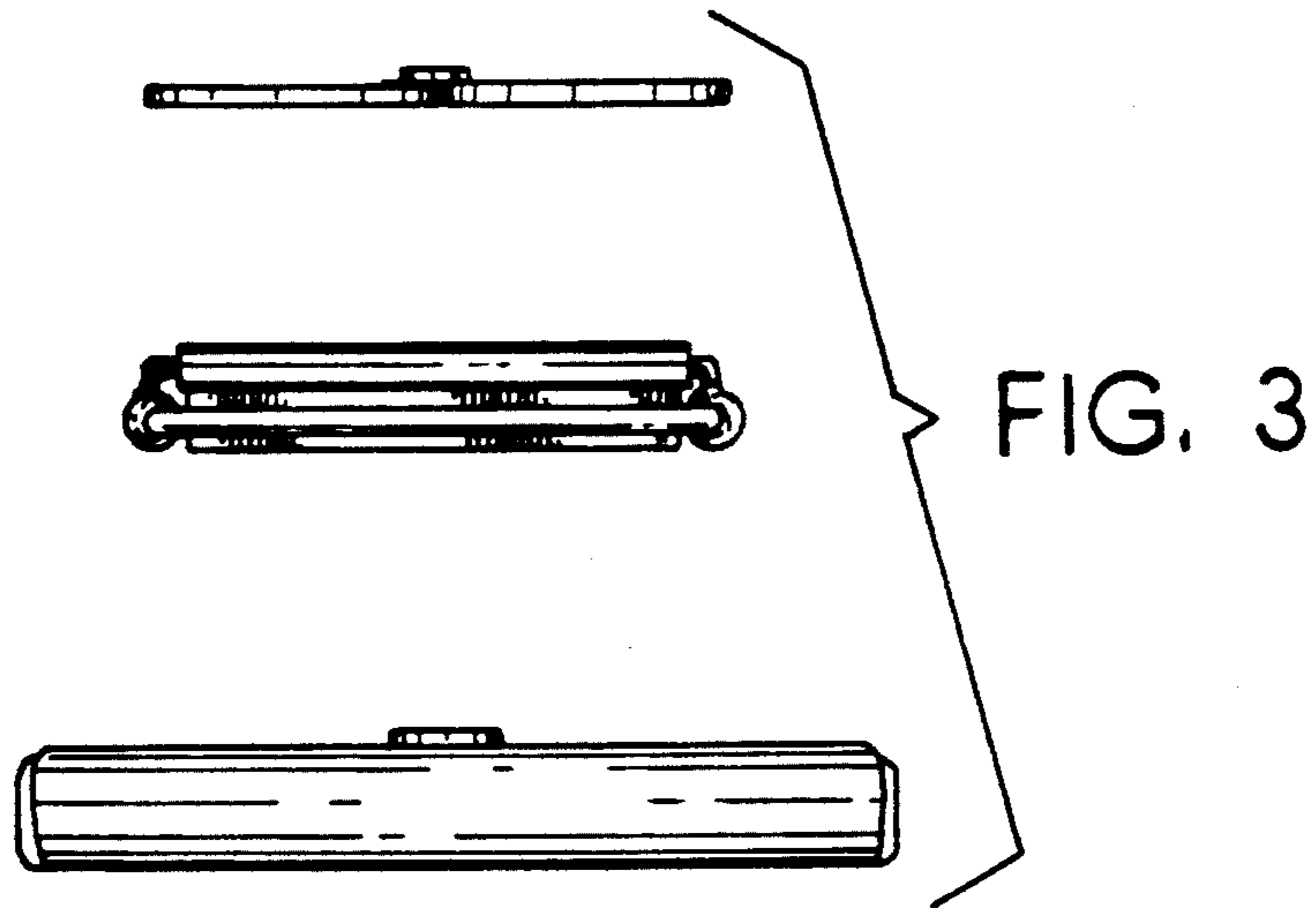
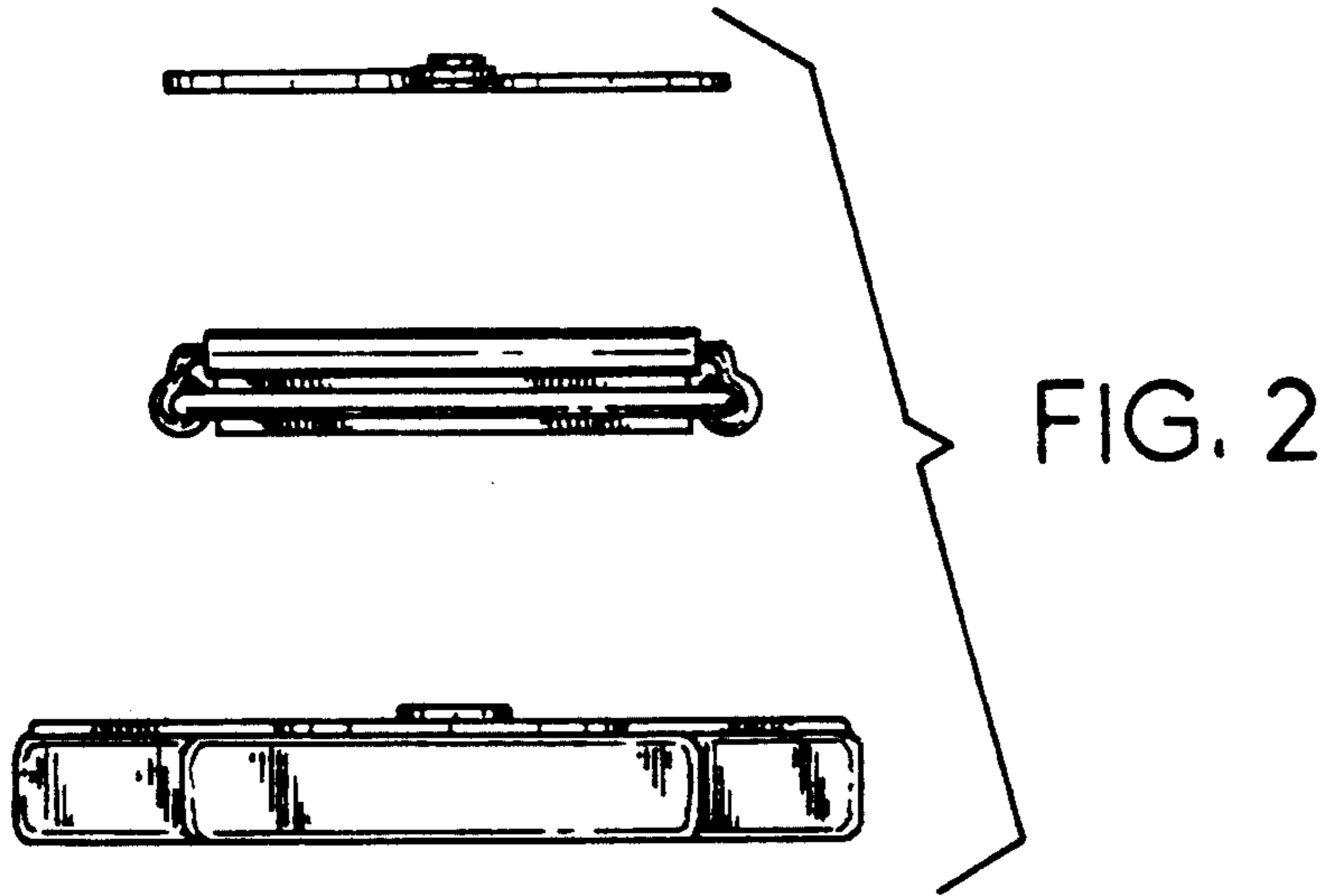


FIG. 1



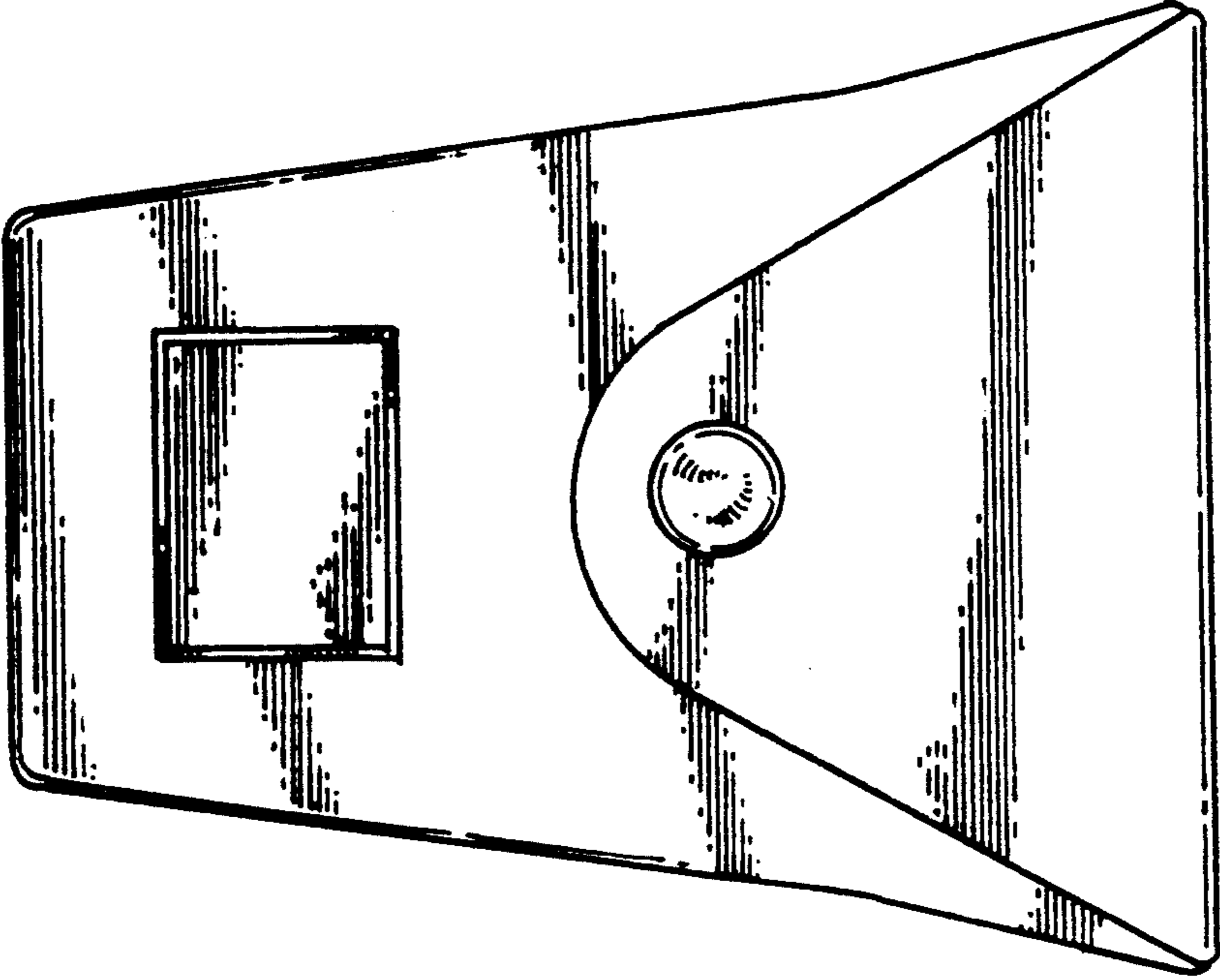


FIG. 5

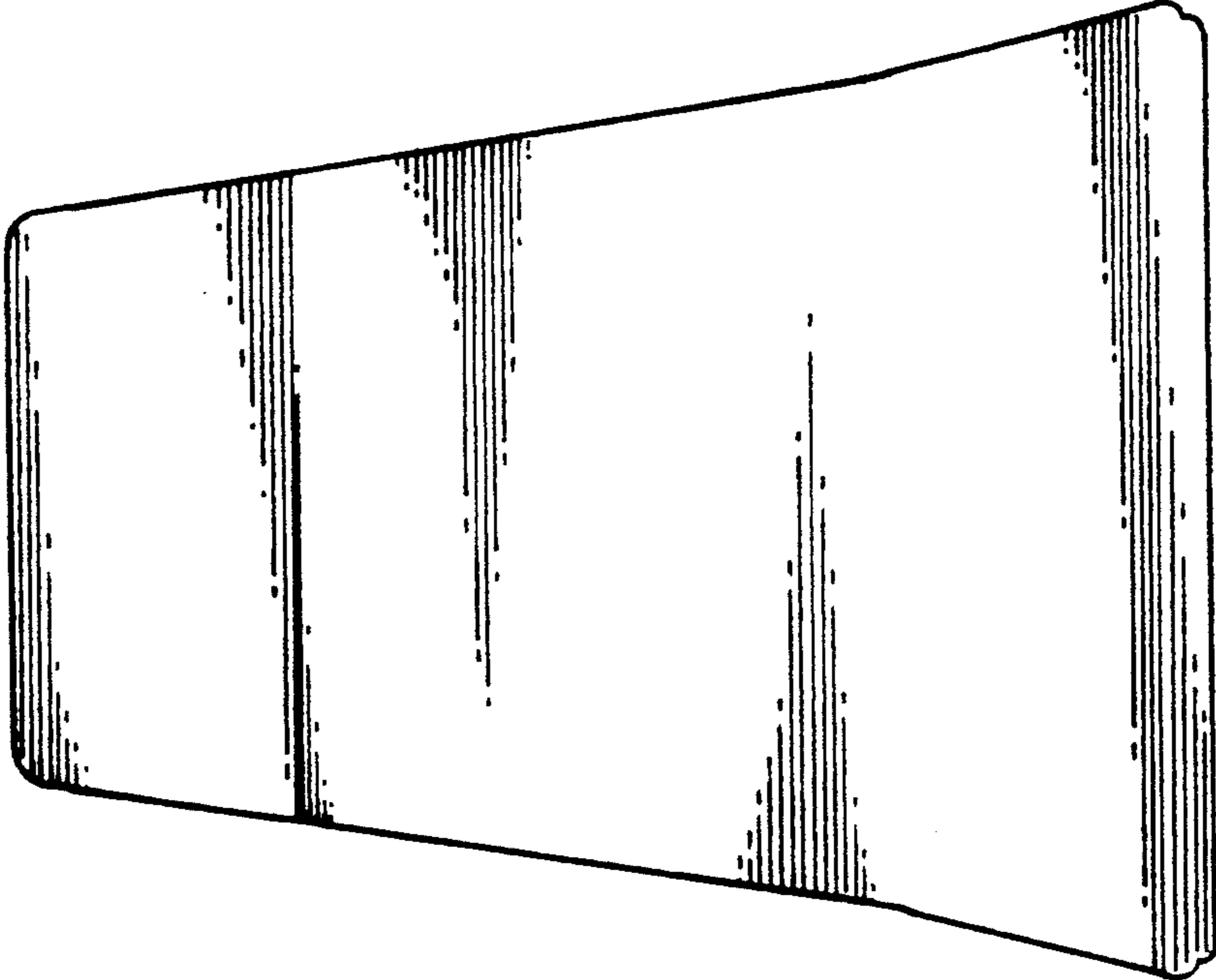


FIG. 6

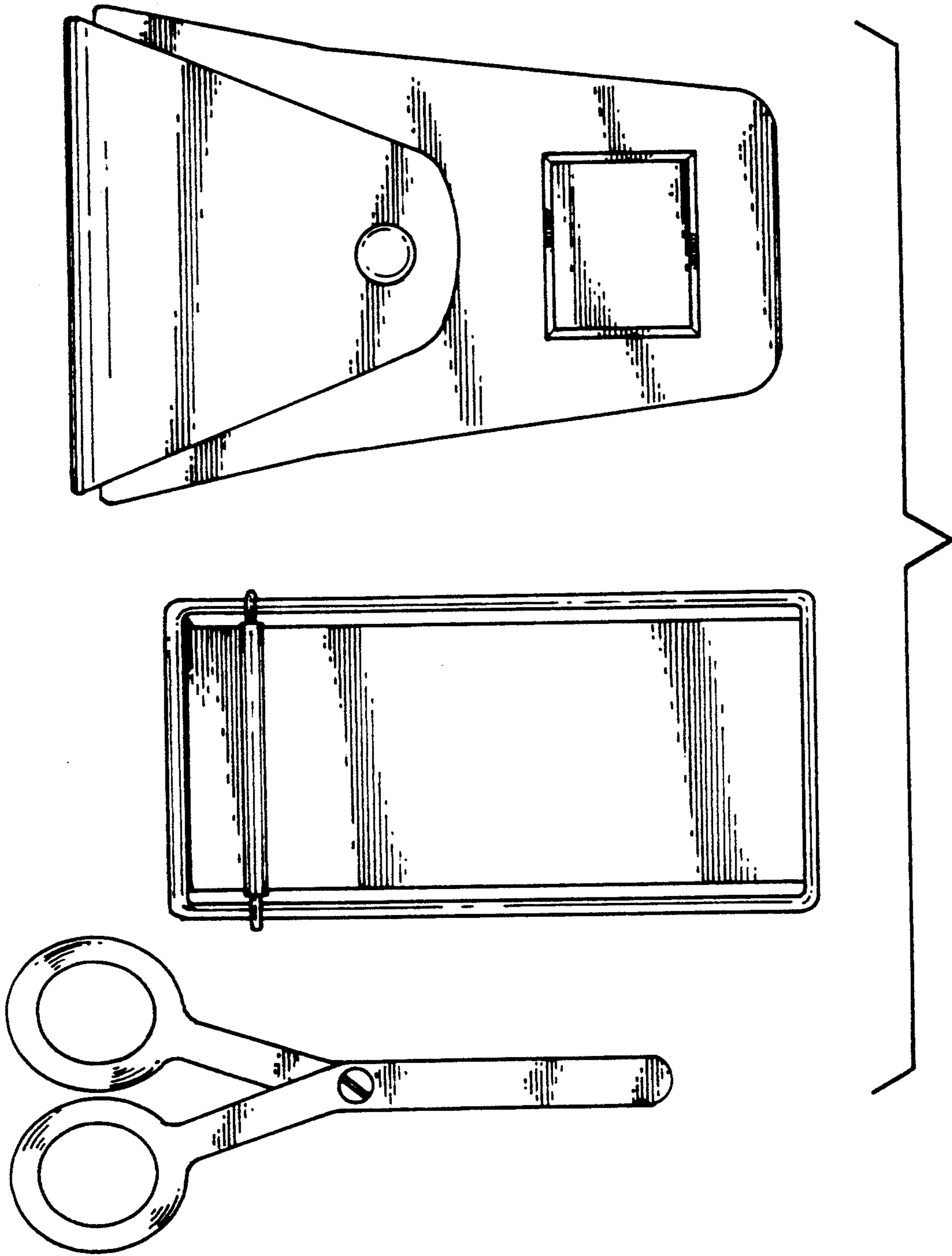


FIG. 7

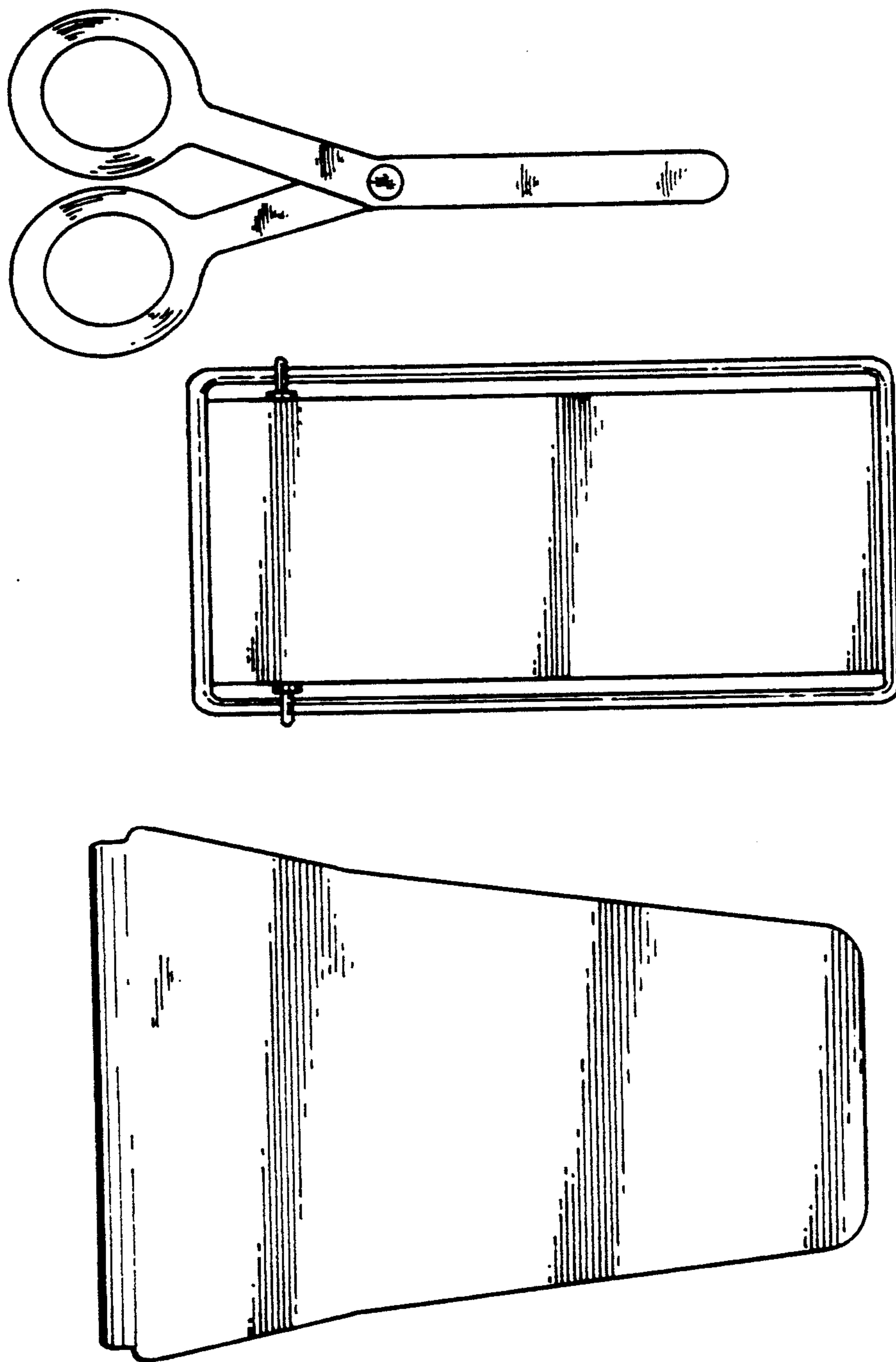


FIG. 8