



US00D346310S

United States Patent [19]

[11] Patent Number: **Des. 346,310**

Schlesier et al.

[45] Date of Patent: **** Apr. 26, 1994**

[54] **WEARER ATTACHABLE PORTABLE SNACK TRAY**

[76] Inventors: **Robert G. Schlesier**, 1441 S. Chambers Cr., Aurora, Colo. 80012; **Howard J. Tyo**, 4035 W. Breckenridge, Beverly Hills, Fla. 23665

[**] Term: **14 Years**

[21] Appl. No.: **754,718**

[22] Filed: **Sep. 4, 1991**

[52] U.S. Cl. **D7/551; D7/553**

[58] Field of Search **D7/550, 551, 553, 554, D7/555, 556; 224/270, 208; 108/43; D3/100, 104, 105, 40**

[56] **References Cited**

U.S. PATENT DOCUMENTS

- D. 36,916 5/1904 Roberts D7/550
- D. 38,888 11/1907 Evans D7/556
- 126,213 4/1872 Ieland et al. 224/270 X
- D. 126,594 4/1941 Schuetz D7/351
- D. 288,513 3/1987 Shelly D7/555
- D. 298,884 12/1988 Rychlock D3/40
- D. 308,450 6/1990 Harris et al. D7/553 X

- D. 319,357 8/1991 Horne D3/40 X
- D. 324,791 3/1992 Hoover D7/553 X
- 947,024 1/1910 Paine et al. 224/270
- 1,569,157 1/1926 Thompson 224/208
- 3,541,976 11/1970 Rozas 224/270 X
- 3,690,330 5/1963 Best 224/270 X
- 4,860,381 8/1989 Bartley .
- 4,887,315 12/1989 Bezdek .
- 4,985,932 1/1991 Bezdek .

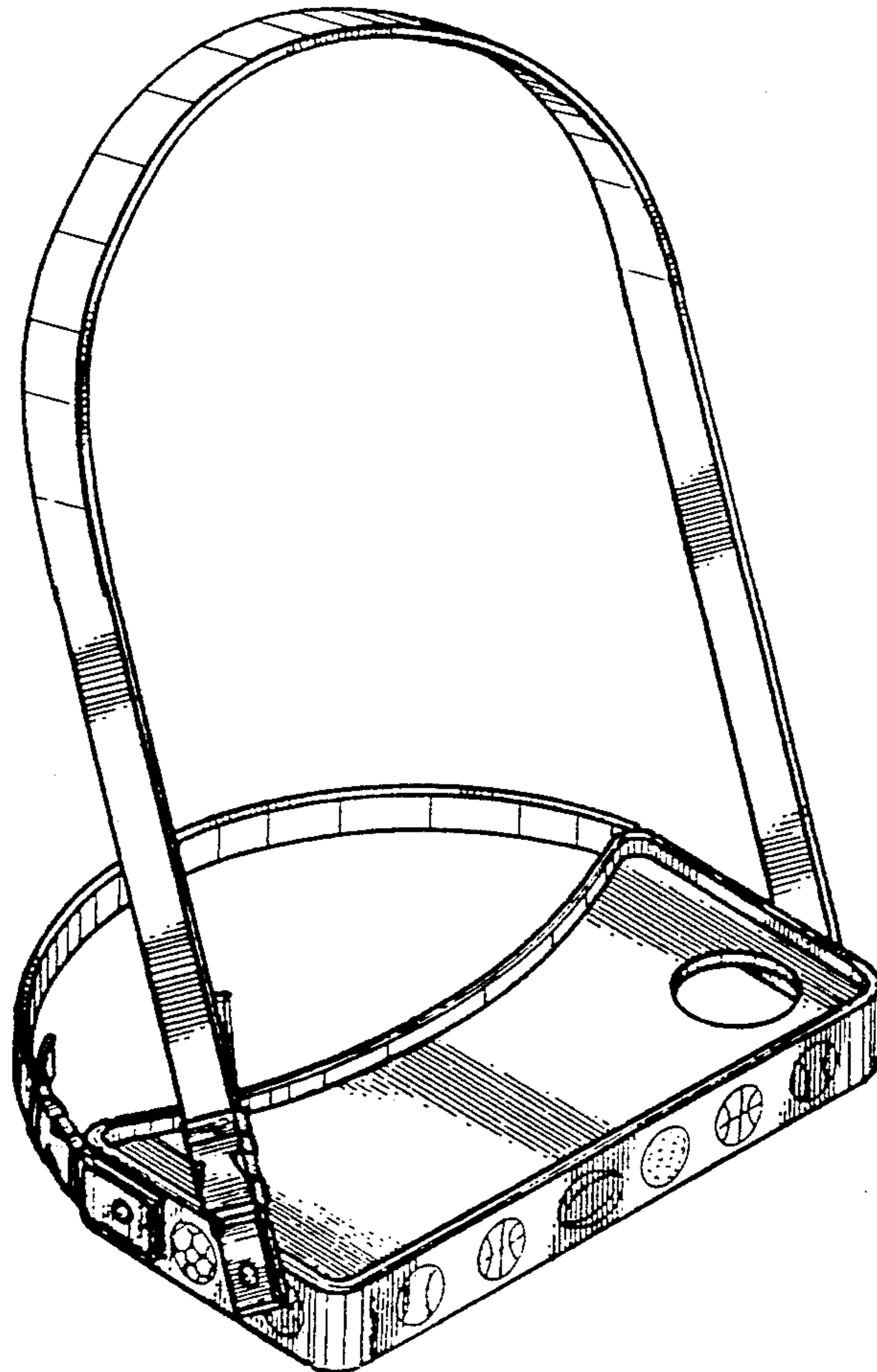
Primary Examiner—Alan P. Douglas
Assistant Examiner—M. N. Pandozzi
Attorney, Agent, or Firm—Terry M. Gernstein

[57] **CLAIM**

The ornamental design for a wearer attachable portable snack tray, as shown and described.

DESCRIPTION

FIG. 1 is an exploded perspective view of the wearer attachable portable snack tray embodying the design of the present invention; FIG. 2 is a front elevational view thereof; FIG. 3 is a rear elevational view thereof; FIG. 4 is a side elevational view thereof; FIG. 5 is a side elevational view thereof; FIG. 6 is a top plan view thereof; and, FIG. 7 is a bottom view thereof.



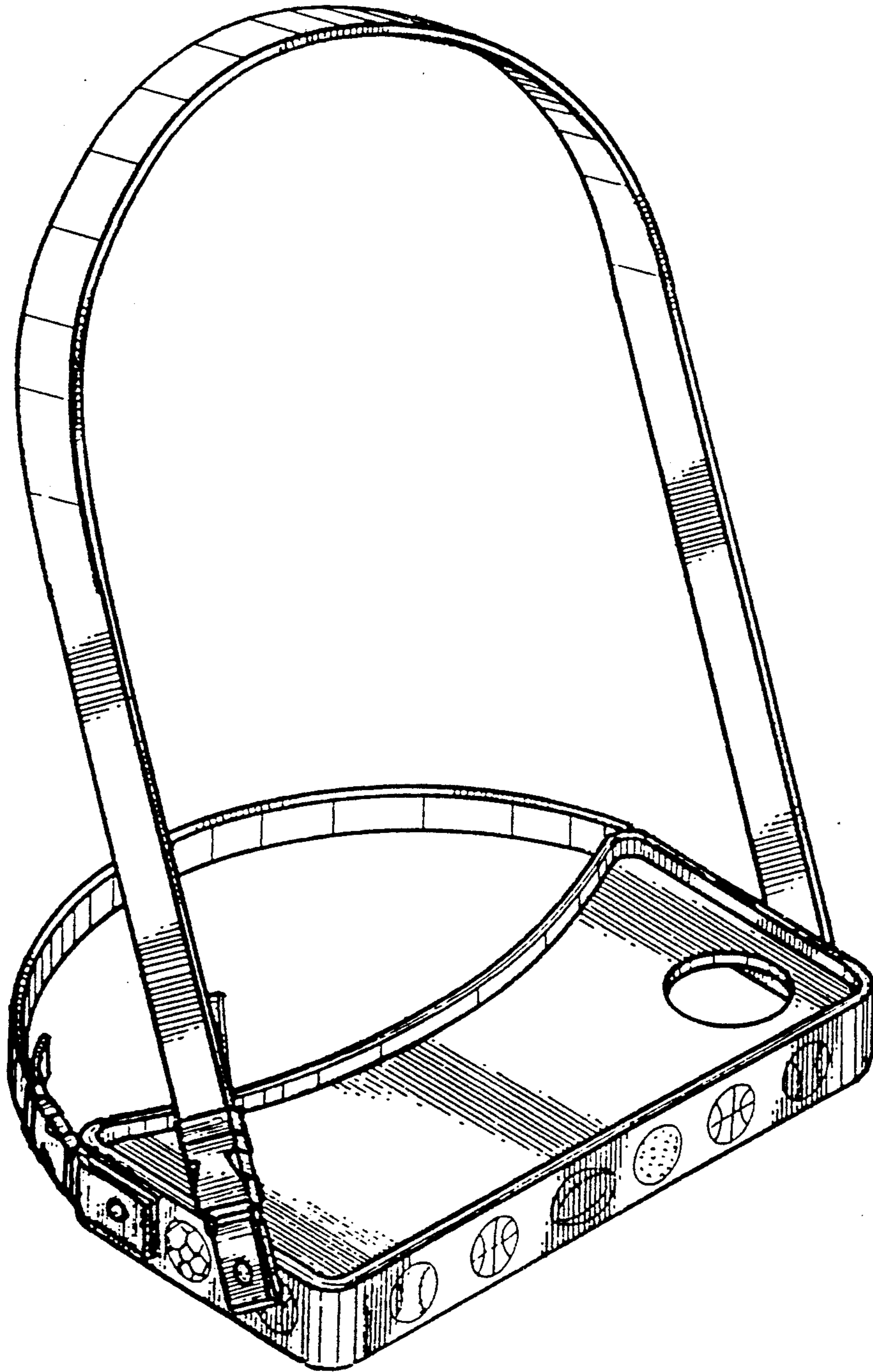
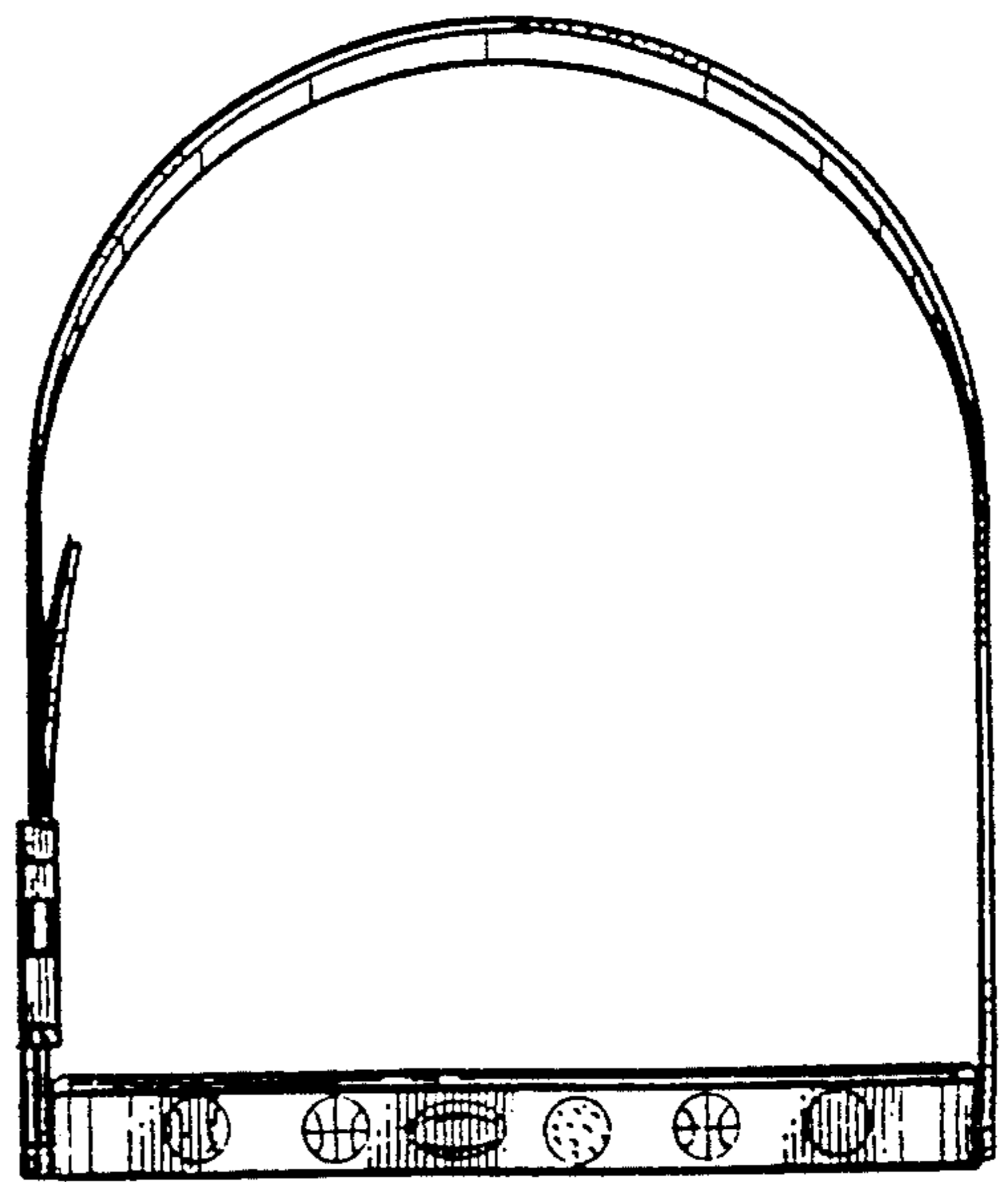
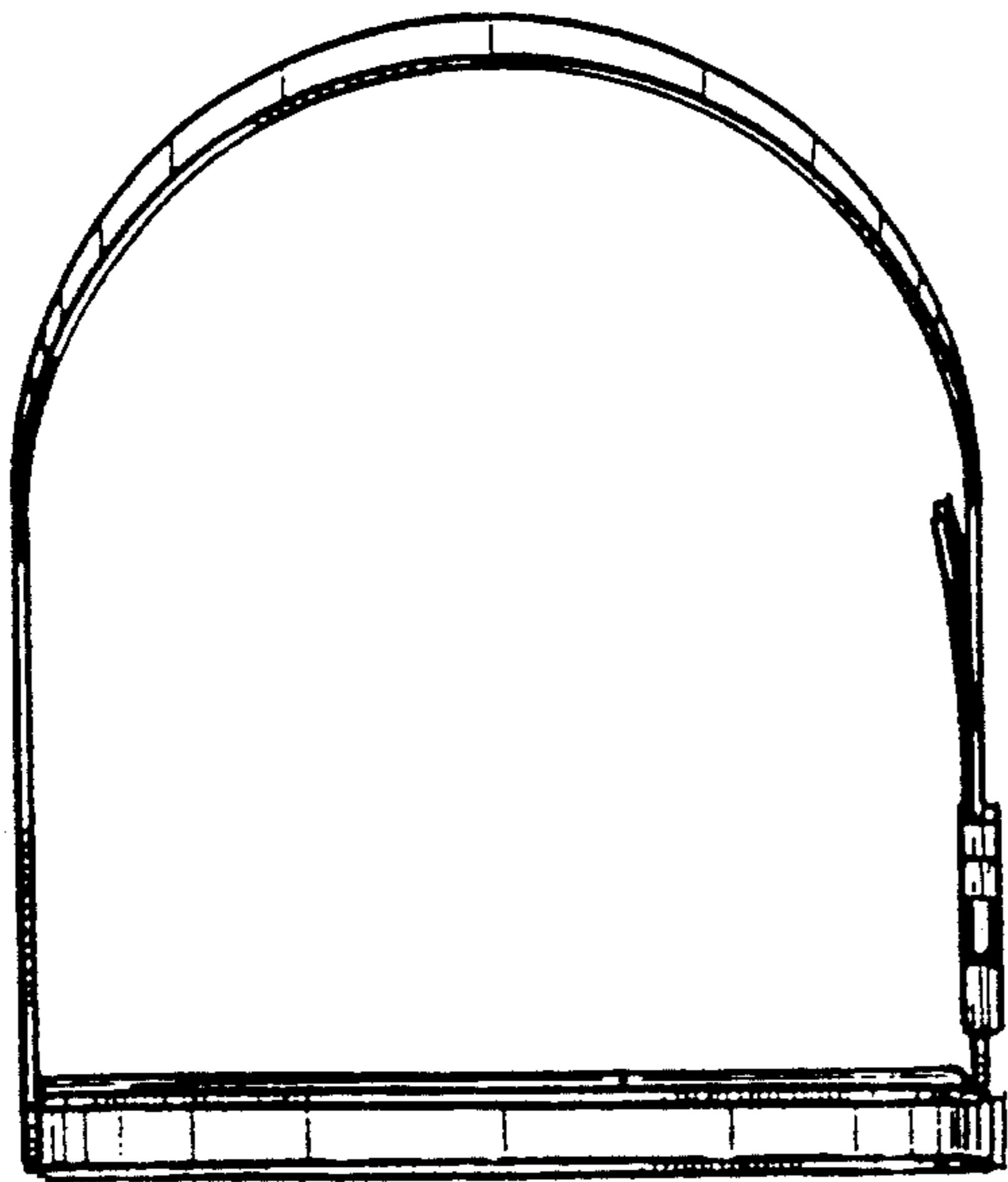
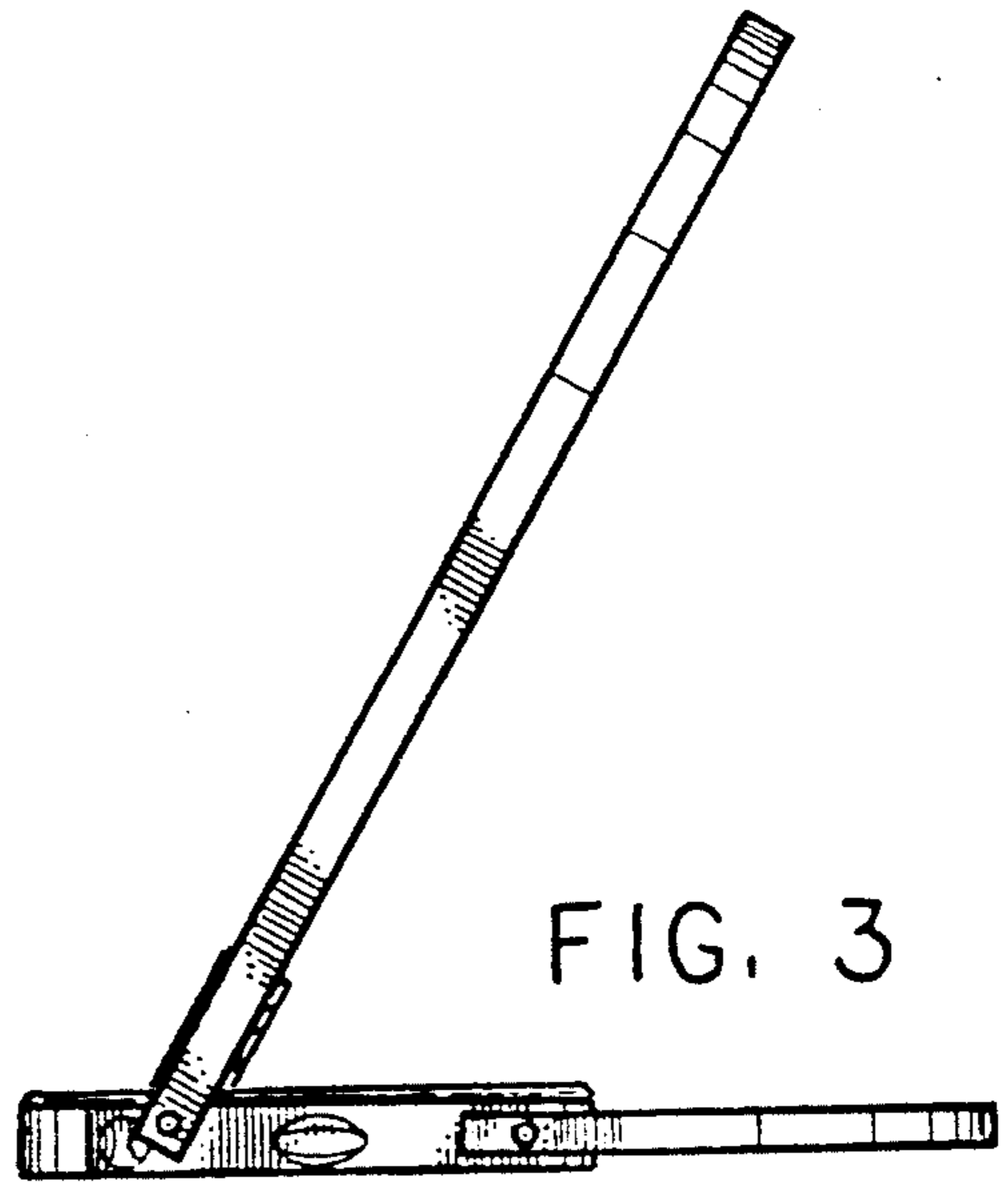
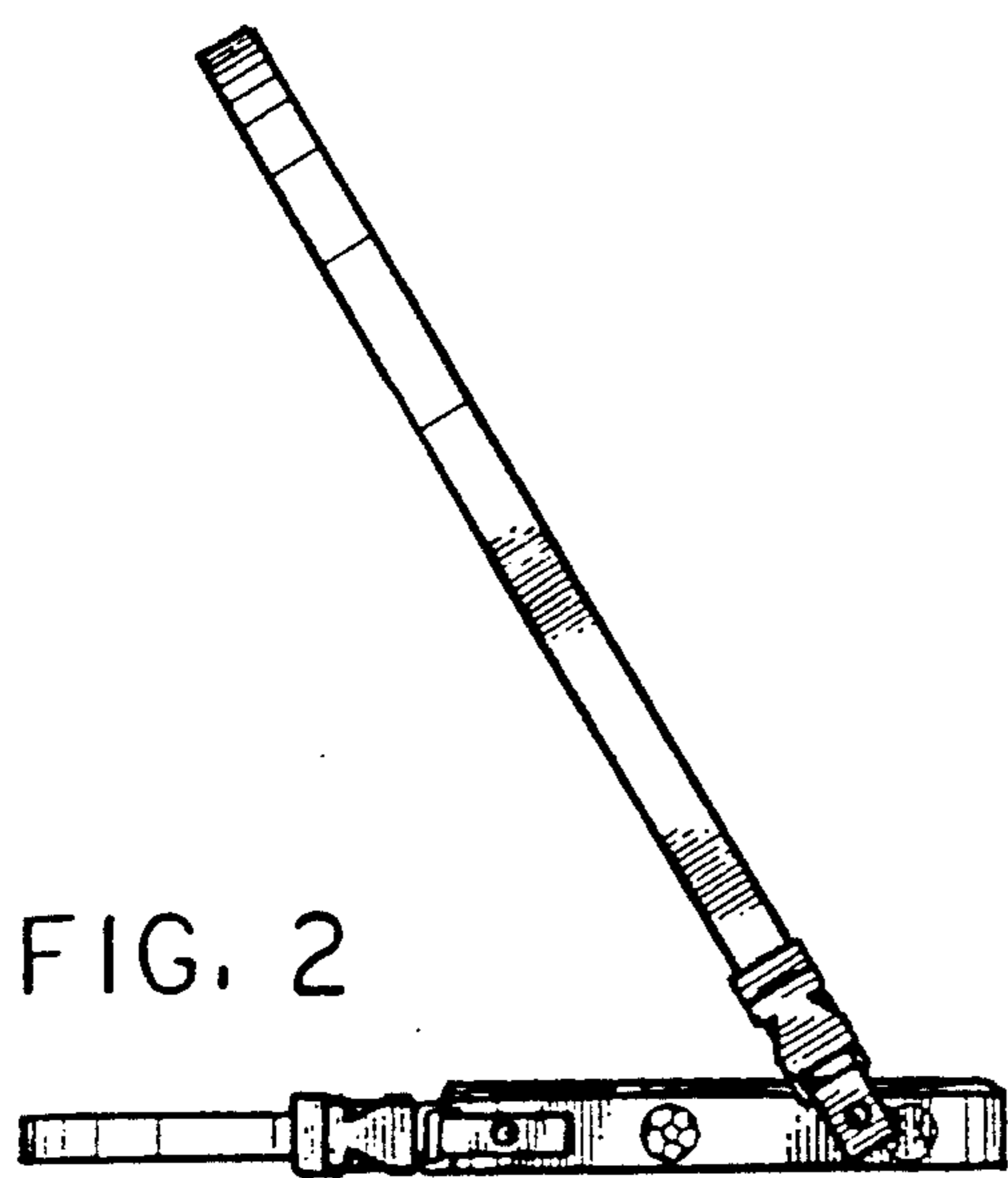


FIG. 1



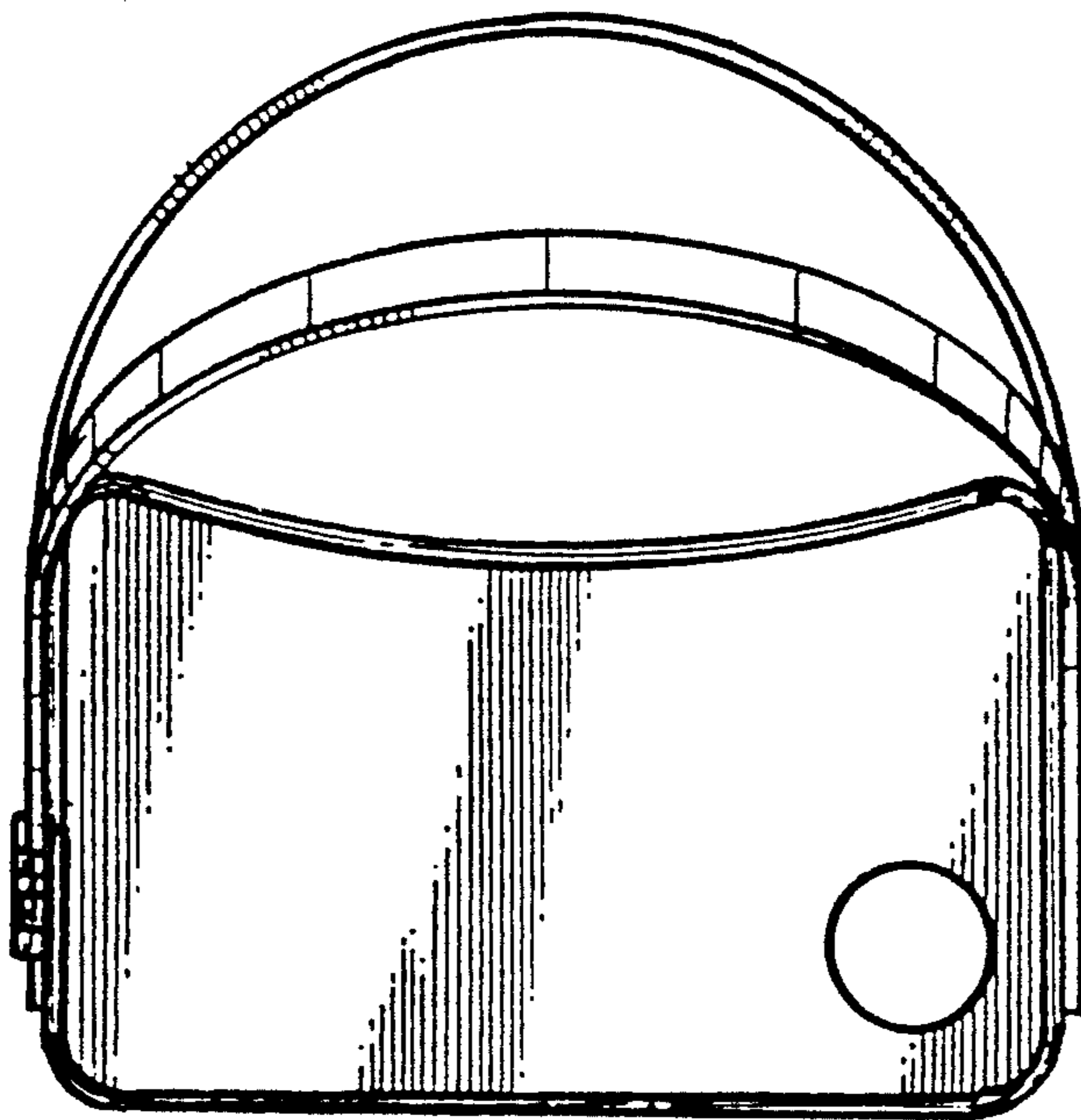


FIG. 6

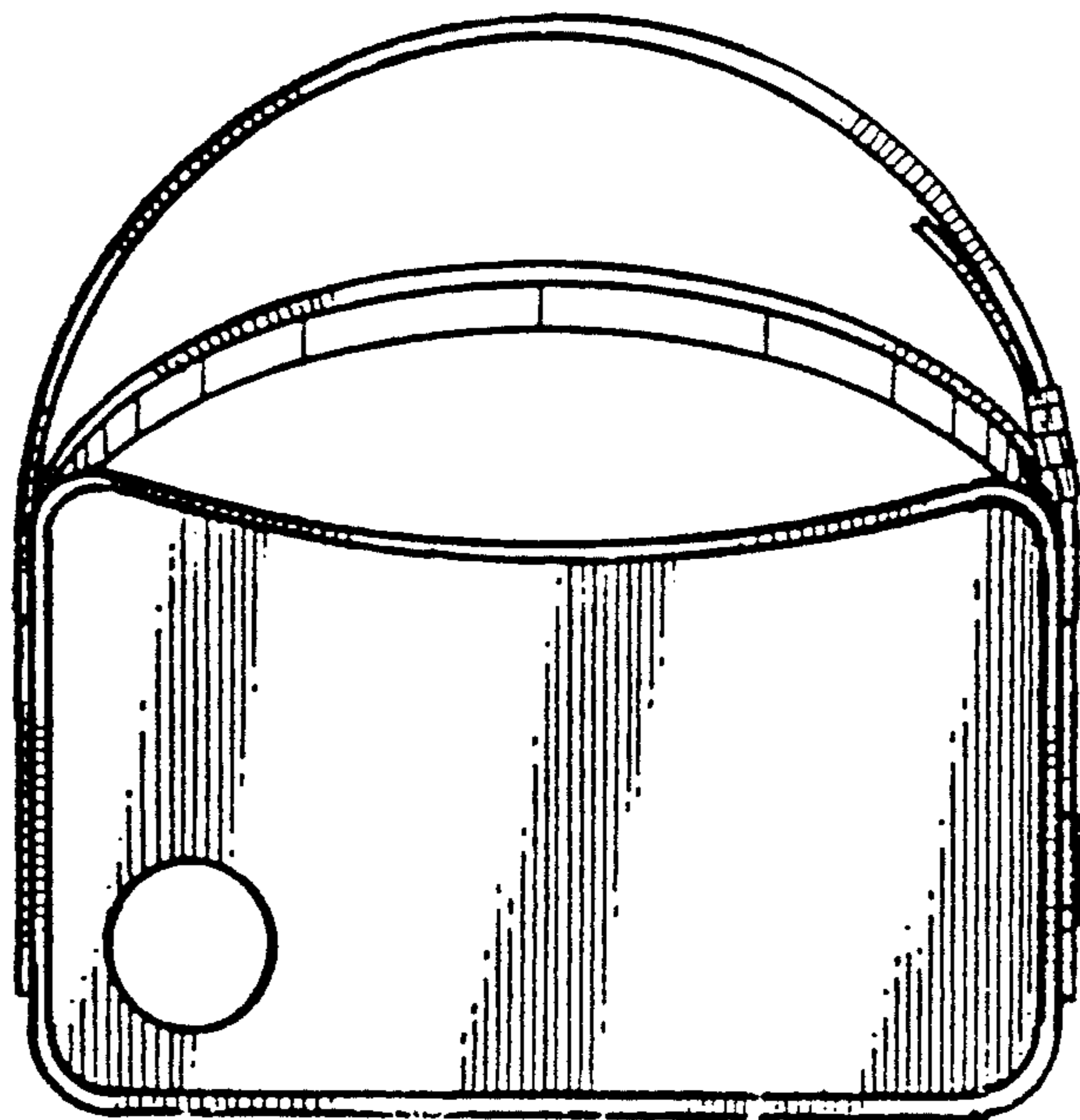


FIG. 7