



US00D346306S

**United States Patent** [19]  
**Falk**

[11] **Patent Number: Des. 346,306**

[45] **Date of Patent: \*\* Apr. 26, 1994**

[54] **DOWNDRAFT VENT UNIT FOR A COOKTOP**

4,517,886 5/1985 Bales ..... D7/340  
4,562,827 1/1986 Cerola ..... 126/299 R  
4,862,791 9/1989 Baughey ..... 99/450

[75] **Inventor: Donald G. Falk, Louisville, Ky.**

*Primary Examiner*—Wallace R. Burke  
*Assistant Examiner*—Lisa Lichtenstein  
*Attorney, Agent, or Firm*—H. Neil Houser

[73] **Assignee: General Electric Company, Louisville, Ky.**

[\*\*] **Term: 14 Years**

[57] **CLAIM**

[21] **Appl. No.: 756,132**

The ornamental design for a downdraft vent unit for a cooktop, as shown and described.

[22] **Filed: Sep. 9, 1991**

**DESCRIPTION**

[52] **U.S. Cl. .... D7/407; D7/402**

[58] **Field of Search .... D7/339, 340, 346, 347, D7/402, 407-409; 99/444-446, 450; 126/299 R**

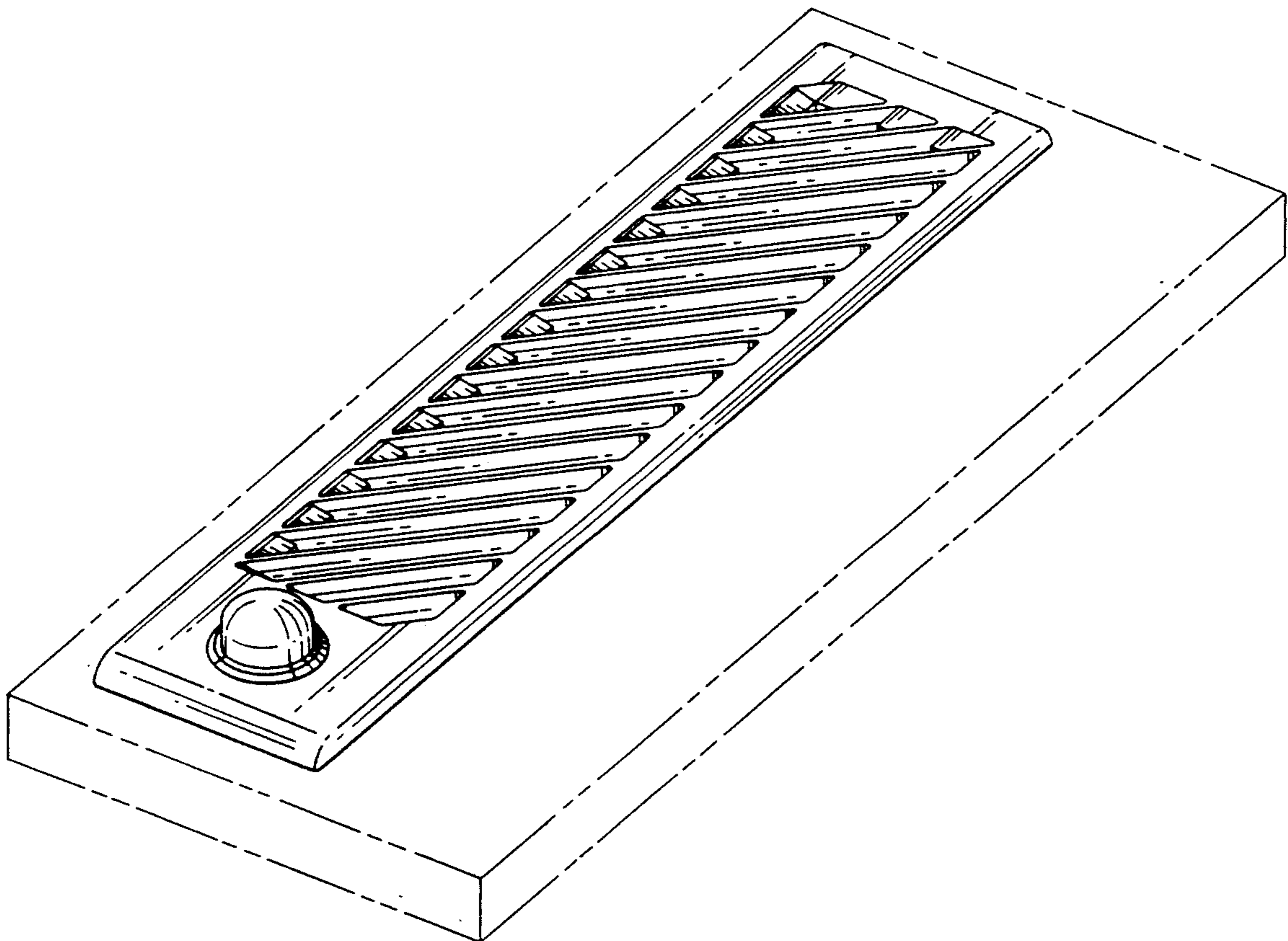
FIG. 1 is a top perspective view of a modular downdraft vent unit for a cooktop showing my new design; FIG. 2 is side elevational view thereof, the opposite side being a mirror image of that shown; and, FIG. 3 is an end elevational view thereof, the opposite end being a mirror image of that shown.

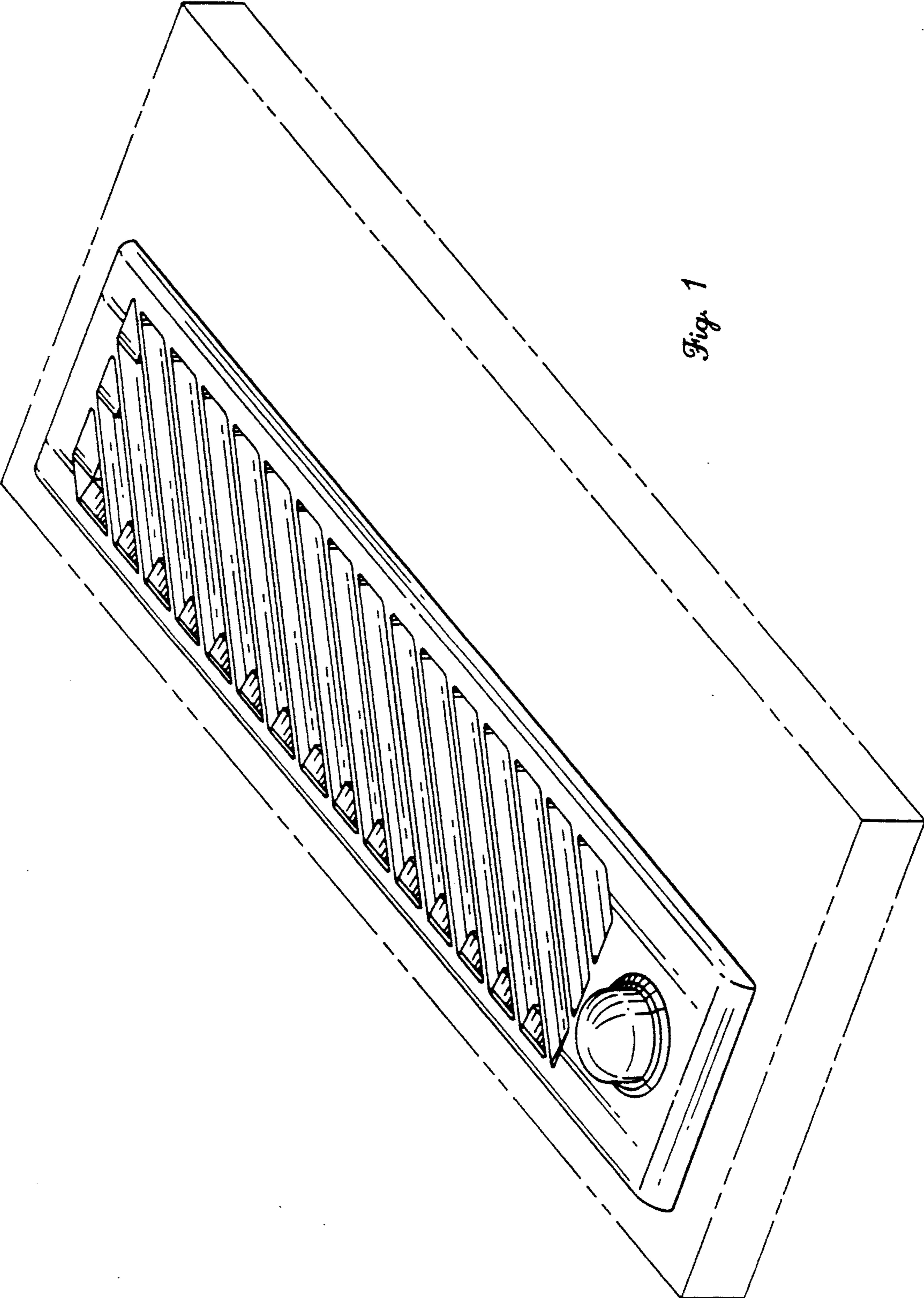
[56] **References Cited**

**U.S. PATENT DOCUMENTS**

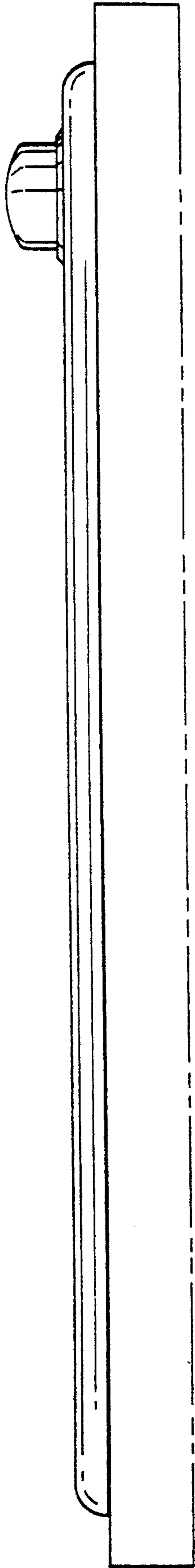
D. 204,221 3/1966 Rawald ..... D7/346  
D. 303,604 9/1989 Beach et al. .... D7/346  
4,508,097 4/1985 Berg ..... 99/446

The broken-line showing of a cooktop in FIGS. 1-3, is for illustrative purposes only, and forms no part of the claimed design.

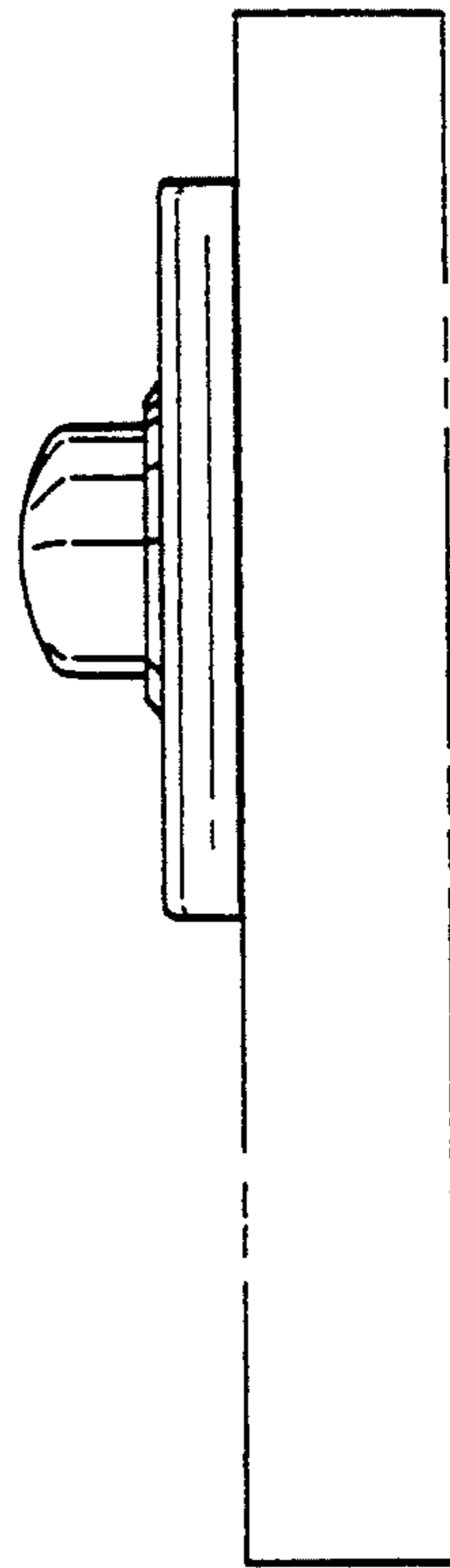




*Fig. 1*



*Fig. 2*



*Fig. 3*