



US00D346298S

# United States Patent [19]

Brady et al.

[11] Patent Number: Des. 346,298

[45] Date of Patent: \*\* Apr. 26, 1994

## [54] COFFEE MAKER

[75] Inventors: **Martin Brady**, Richmond; **Dean C. Warner**, Glen Allen; **Stephen D. Beverley**, Midlothian, all of Va.

[73] Assignee: **Hamilton Beach/Proctor-Silex, Inc.**, Glen Allen, Va.

[\*\*] Term: **14 Years**

[21] Appl. No.: **871,662**

[22] Filed: **Apr. 21, 1992**

[52] U.S. Cl. .... **D7/309; D7/310; D7/311**

[58] Field of Search ..... **D7/300, 308, 310, 311, D7/305, 309; 99/279, 293, 295**

## [56] References Cited

### U.S. PATENT DOCUMENTS

|            |         |                    |          |
|------------|---------|--------------------|----------|
| D. 248,720 | 8/1978  | Sato et al. ....   | D7/309   |
| D. 248,721 | 8/1978  | Sato et al. ....   | D7/309   |
| D. 288,517 | 3/1987  | Kahlcke ....       | D7/309   |
| D. 288,885 | 3/1987  | Kahlcke ....       | D7/309   |
| D. 298,402 | 11/1988 | Seiffert ....      | D7/310 X |
| D. 299,608 | 1/1989  | Knochner ....      | D7/309   |
| D. 299,998 | 2/1989  | Seiffert ....      | D7/309   |
| D. 300,596 | 4/1989  | Eugster ....       | D7/309   |
| D. 313,446 | 12/1990 | Precht ....        | D7/310 X |
| D. 316,004 | 4/1991  | Eugster ....       | D7/310 X |
| D. 326,386 | 5/1992  | Rakocy et al. .... | D7/300 X |
| D. 336,004 | 6/1993  | Kahlcke ....       | D7/310 X |
| D. 337,688 | 7/1993  | Diefenbach ....    | D7/309   |
| 4,920,868  | 5/1990  | Gehrmann ....      | 99/279   |

## OTHER PUBLICATIONS

Braun Aromaster Coffeemaker—Braun 1990 Household Products (catalog), 1990.

Rowenta Coffemaker—Rowenta International (catalog) 1986.

Advertisements for Braun Coffeemakers Model Nos. KF600 and KF650.

Advertisements for Mr. Coffee Coffeemakers Model Nos. PR15 and PR16.

Advertisement for Black & Decker Coffeemaker Model No. DCM900.

Advertisement for Krups Coffeemakers Model No. 131.

Advertisement for Hamilton Beach—Proctor Silex Coffeemaker (catalog) Product Catalog Aug. 1991.

*Primary Examiner*—Nelson C. Holtje

*Assistant Examiner*—M. N. Pandozzi

*Attorney, Agent, or Firm*—Roger S. Dybvig

## [57] CLAIM

The ornamental design for a coffee maker, as shown and described.

## DESCRIPTION

FIG. 1 is a perspective view as seen from the top, front and left side of a coffee maker showing our new design;

FIG. 2 is a right side elevational view thereof;

FIG. 3 is a front elevational view thereof;

FIG. 4 is a rear elevational view thereof;

FIG. 5 is a top plan view thereof;

FIG. 6 is a bottom plan view thereof;

FIG. 7 is a perspective view as seen from the top, front, and left side of a coffee maker showing a second embodiment of our new design;

FIG. 8 is a right side elevational view thereof;

FIG. 9 is a front elevational view thereof;

FIG. 10 is a rear elevational view thereof;

FIG. 11 is a top plan view thereof; and,

FIG. 12 is a bottom plan view thereof.

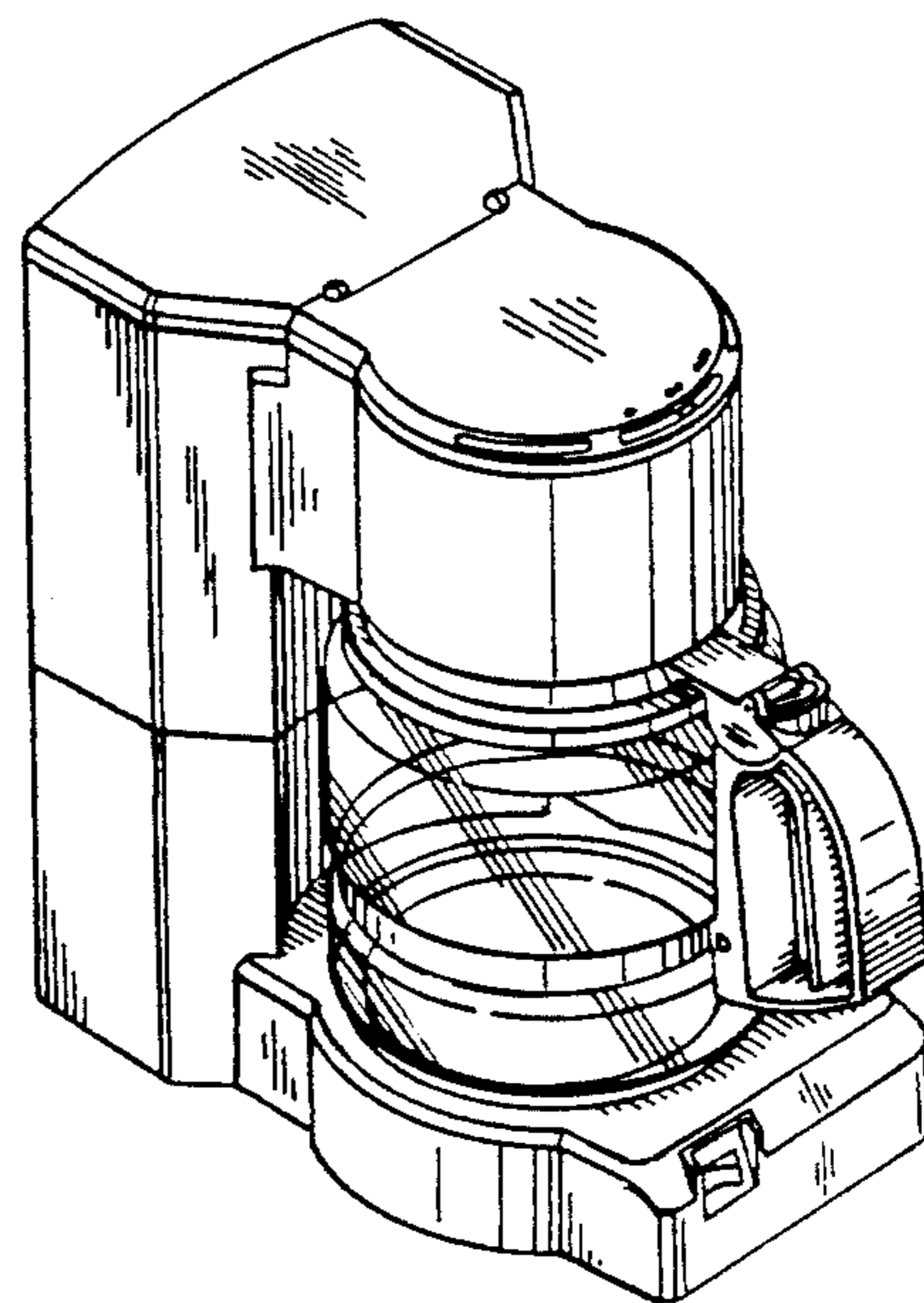
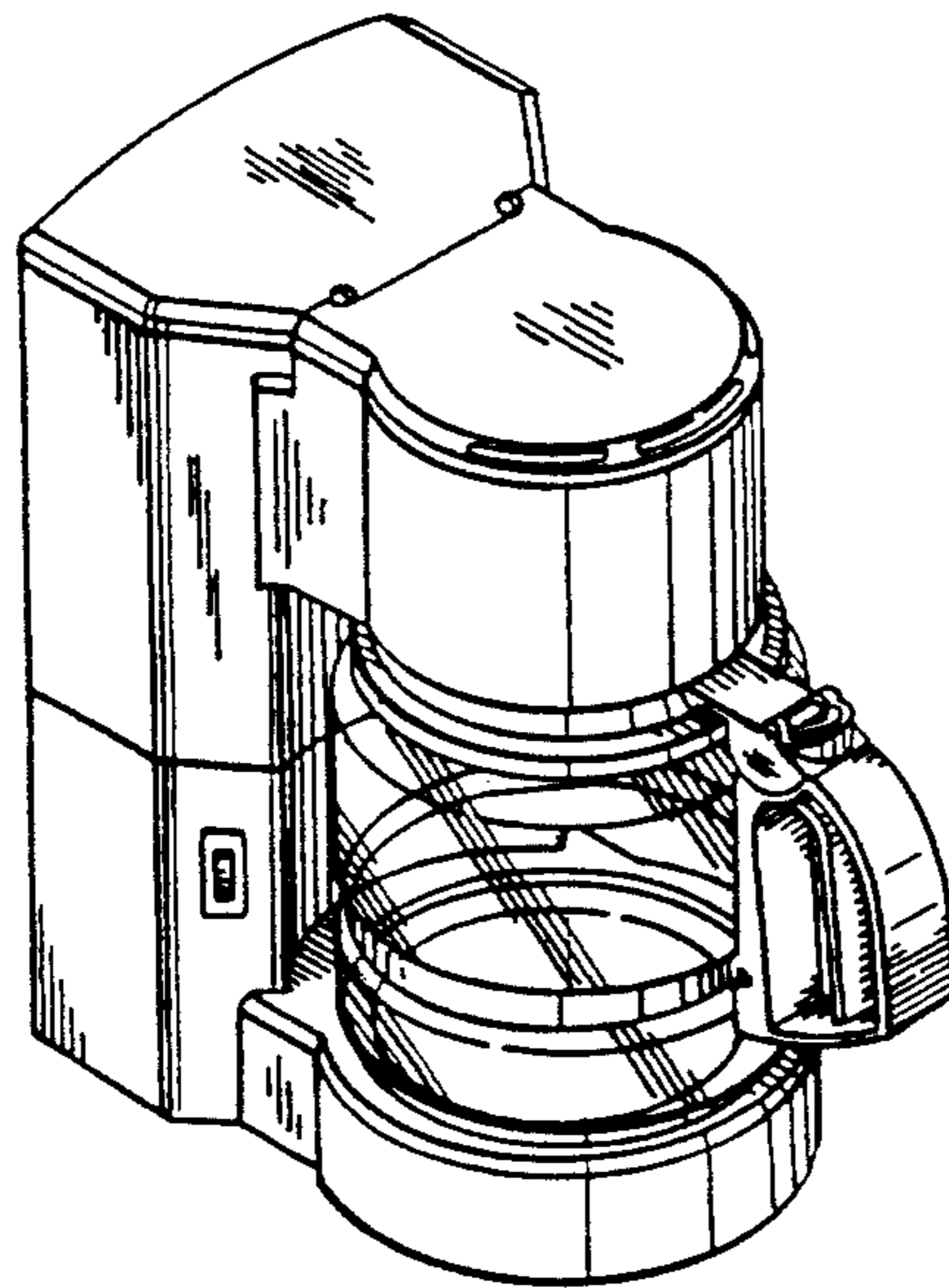


FIG-1

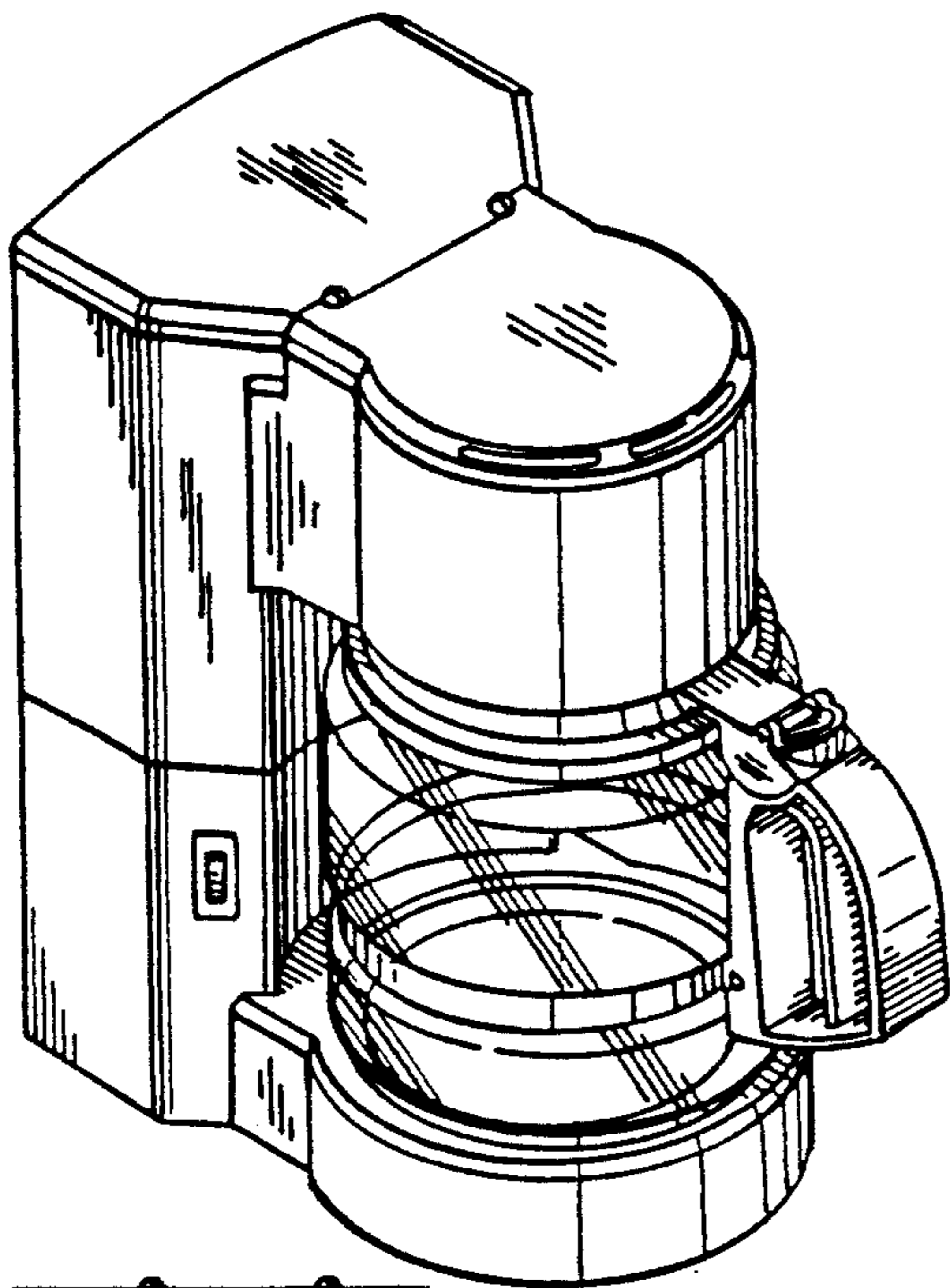


FIG-2

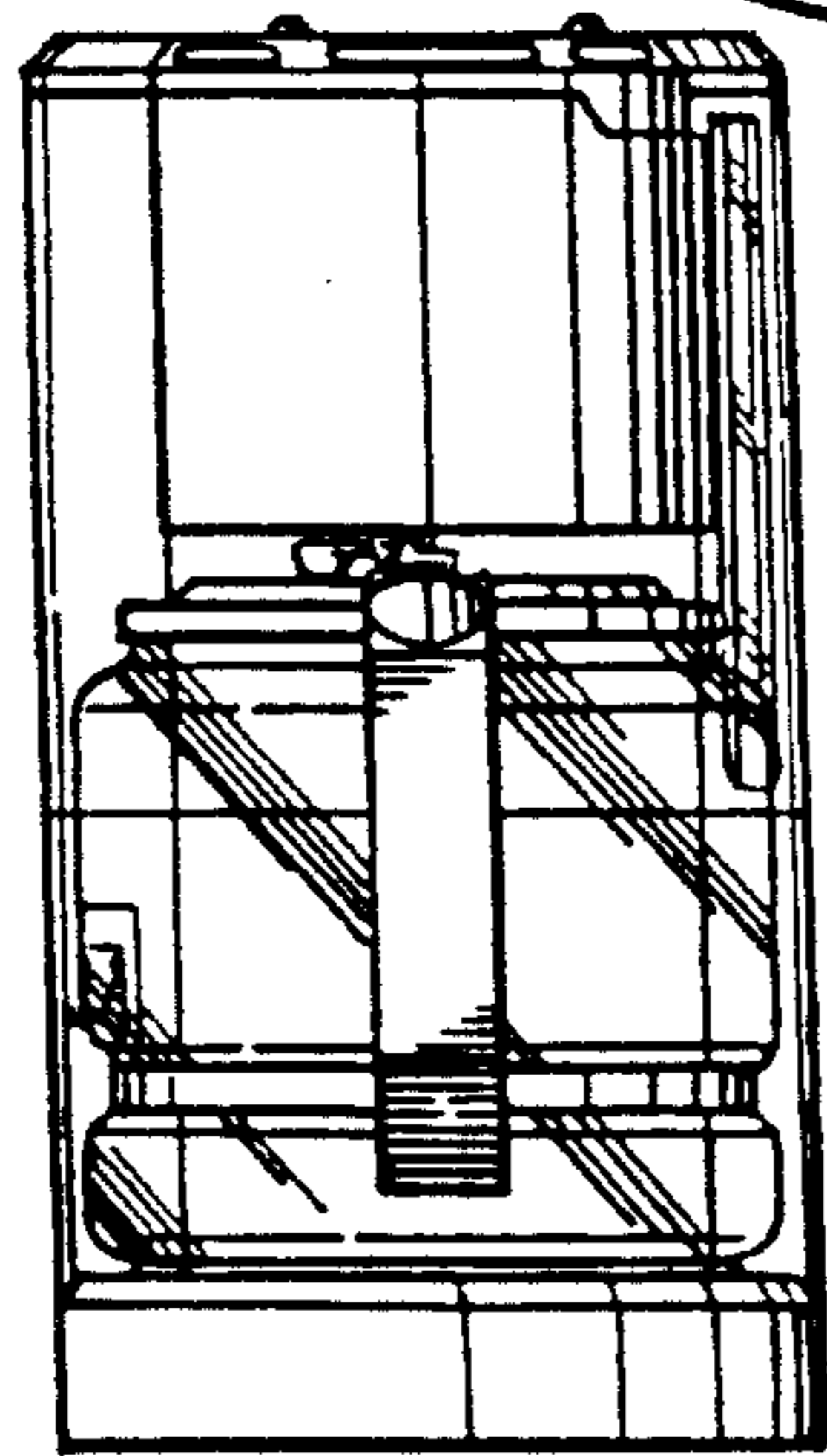
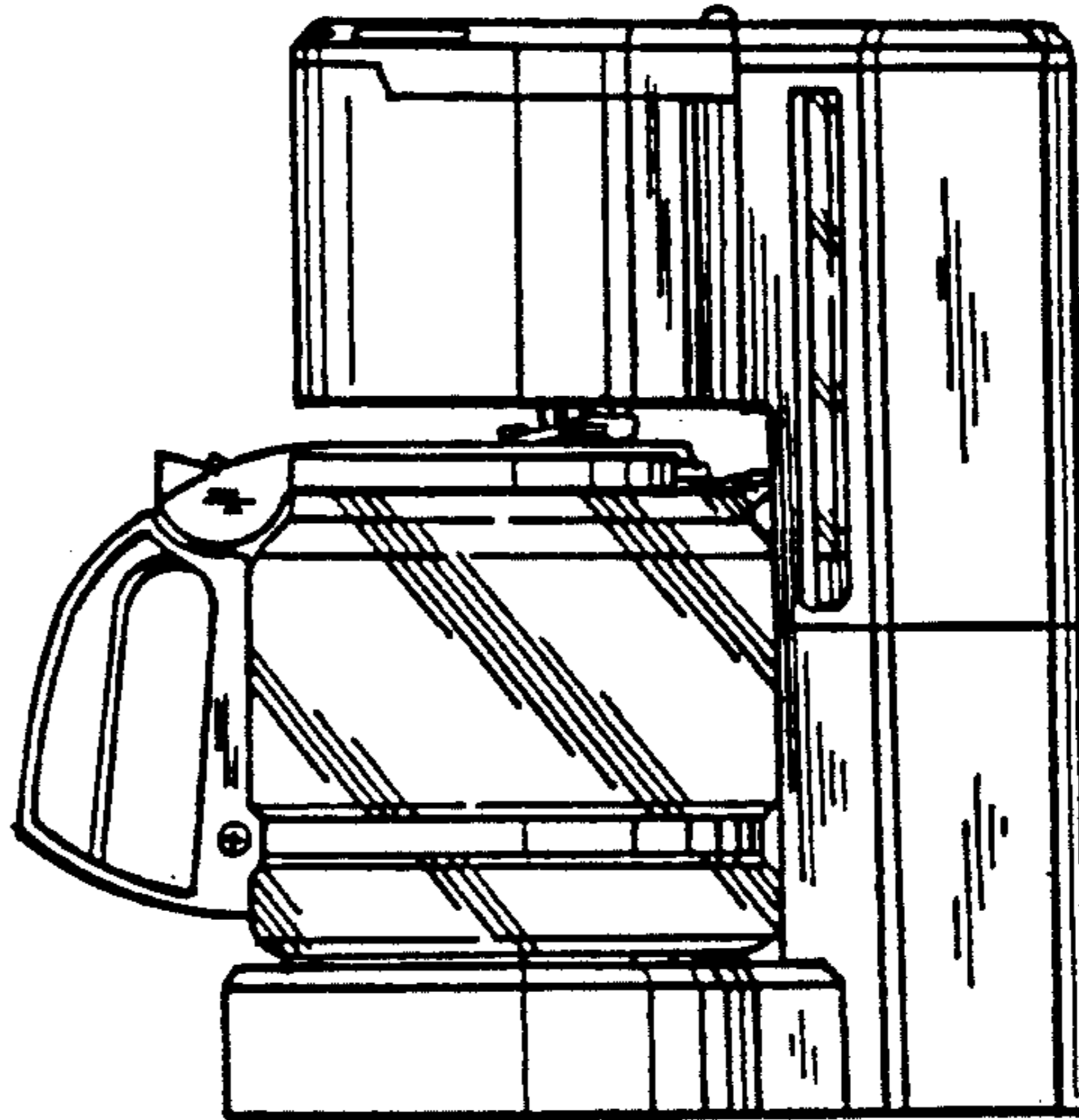


FIG-3

FIG-4

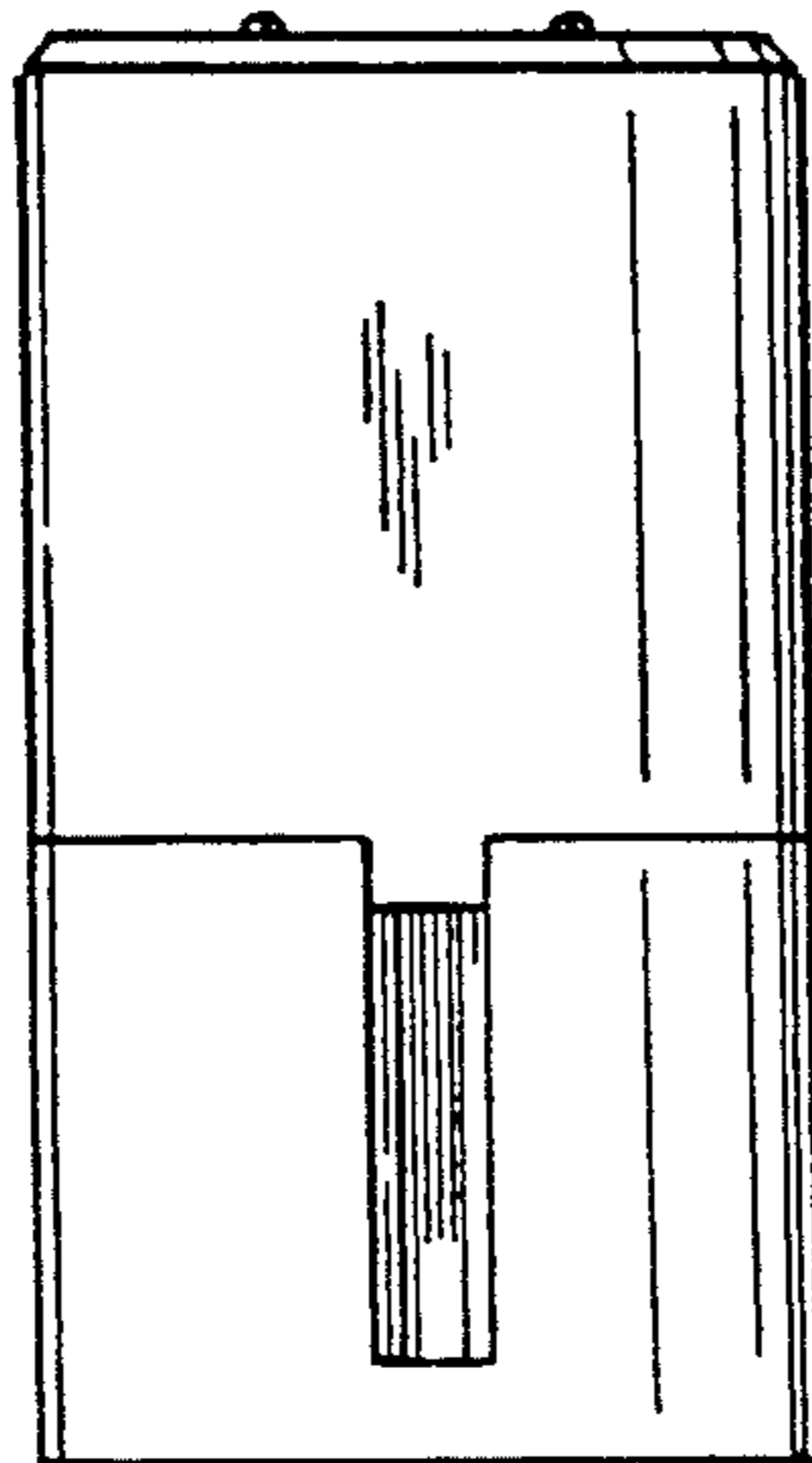


FIG-5

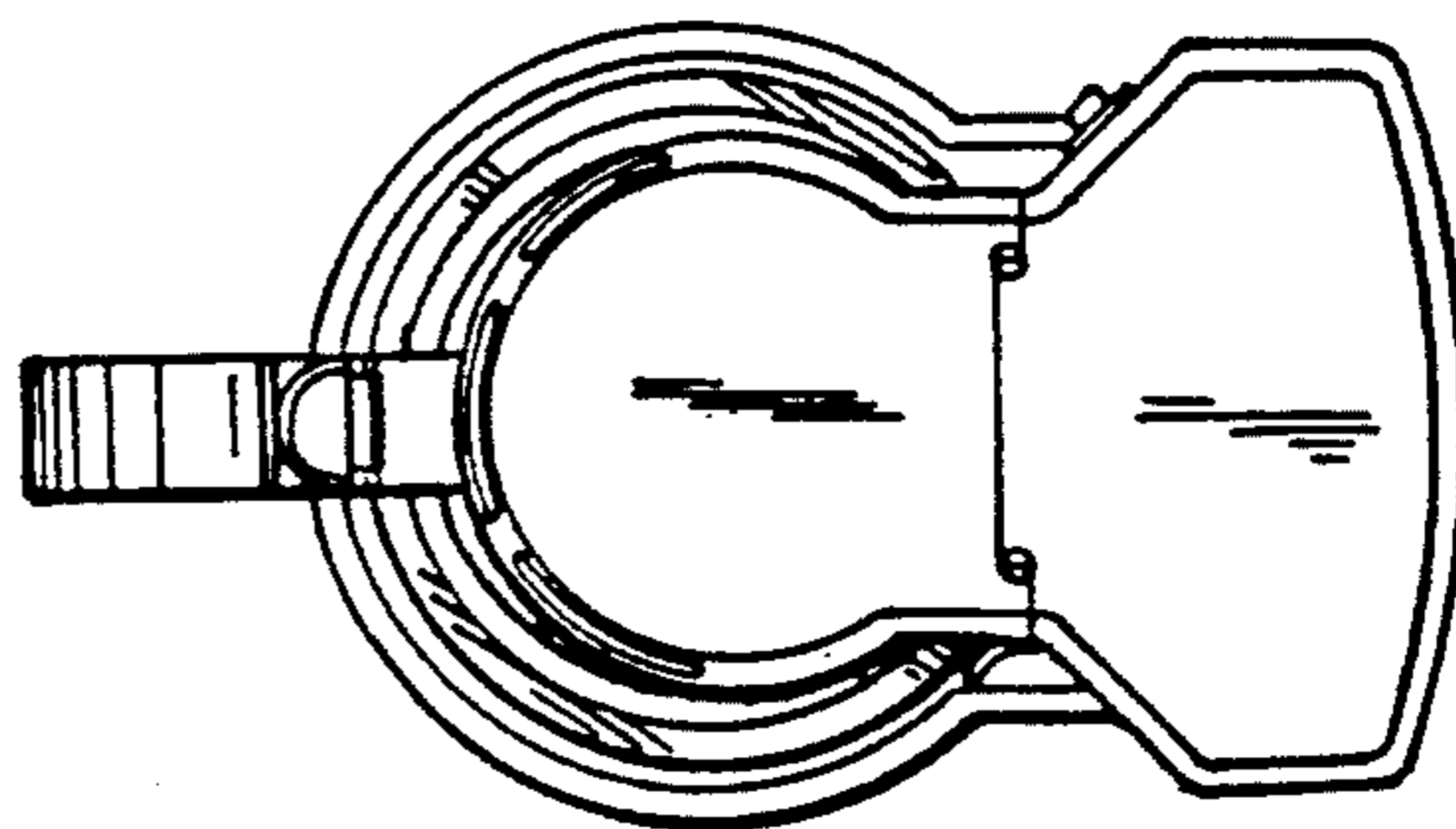


FIG-6

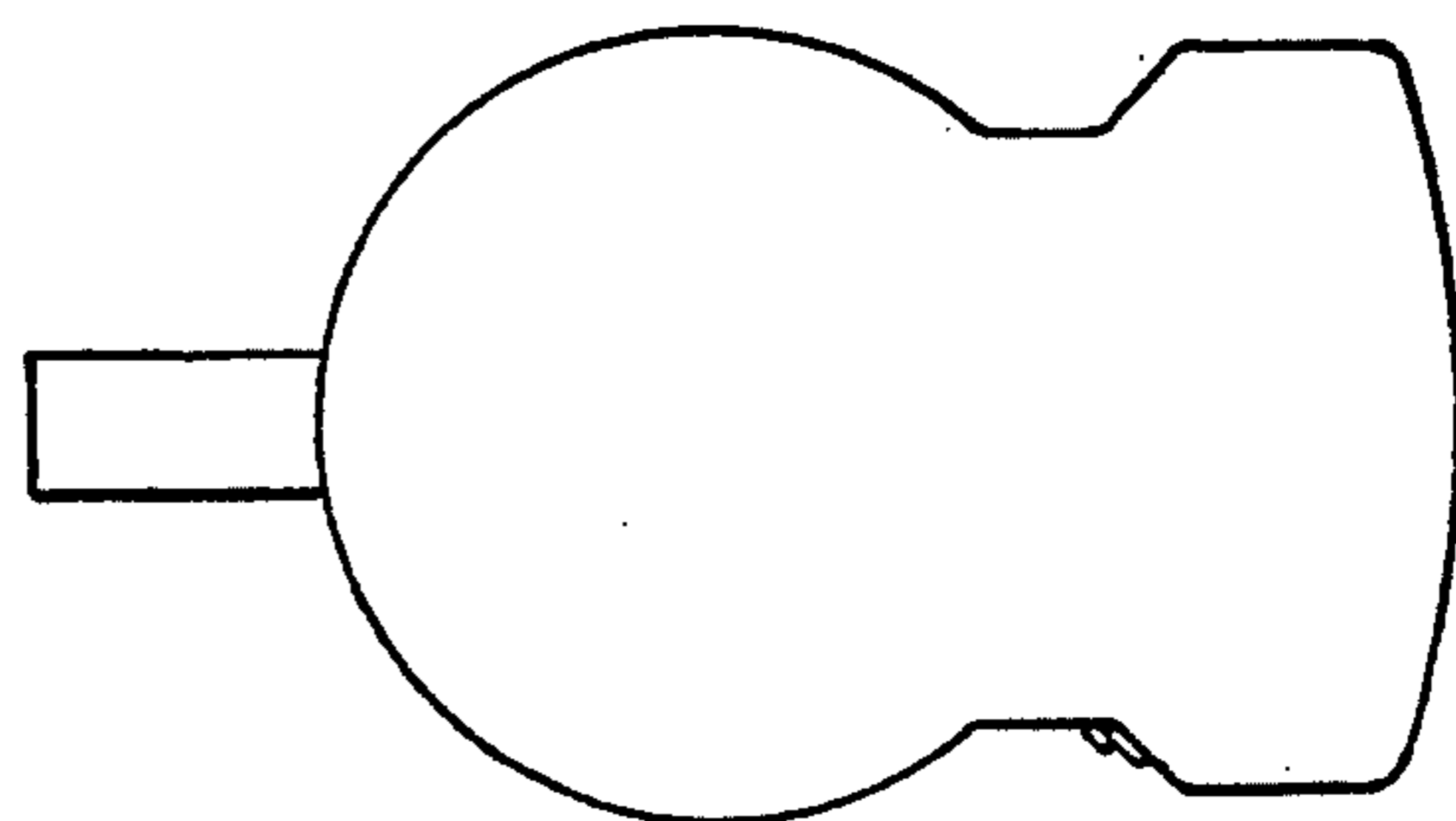


FIG-7

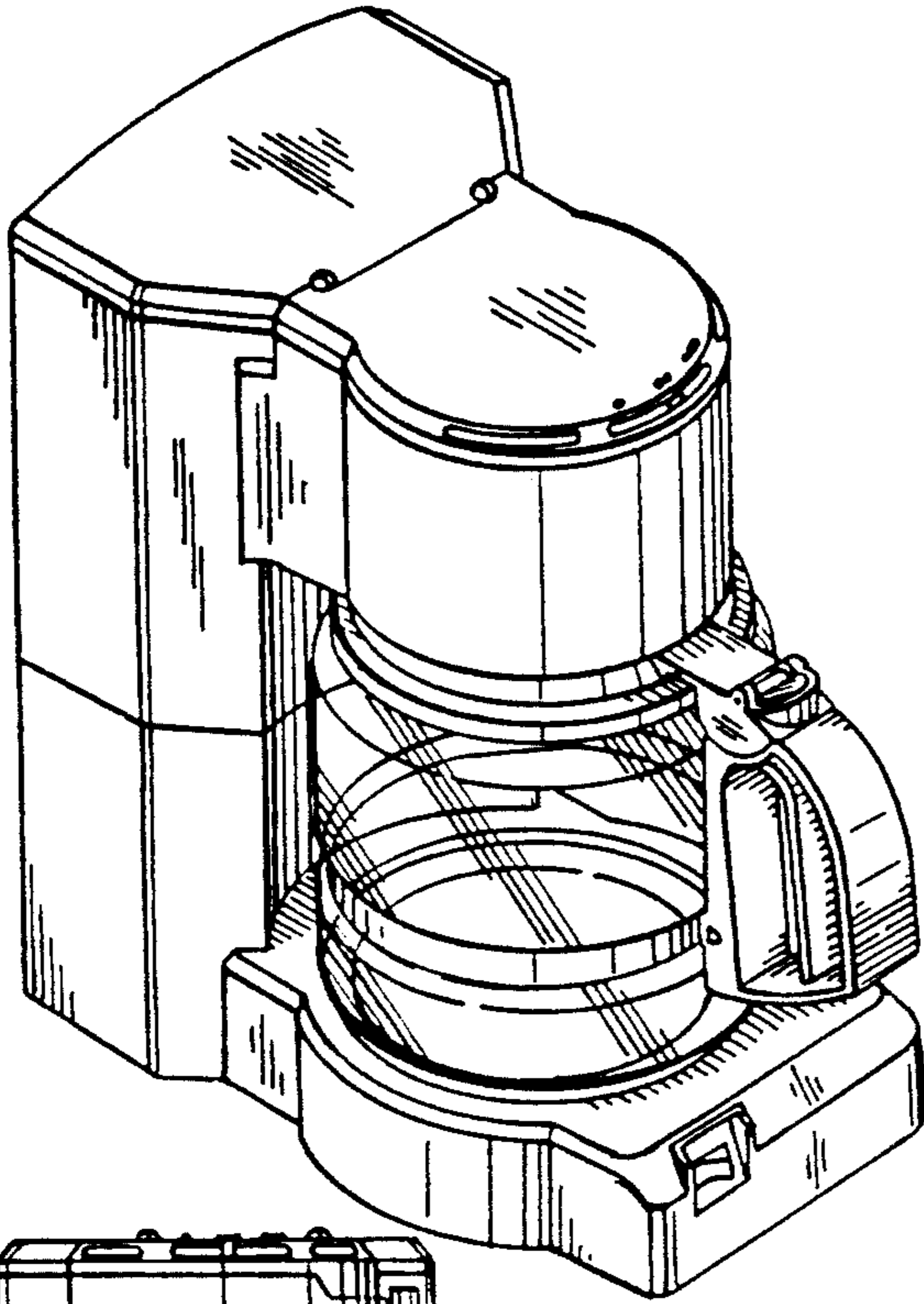


FIG-8

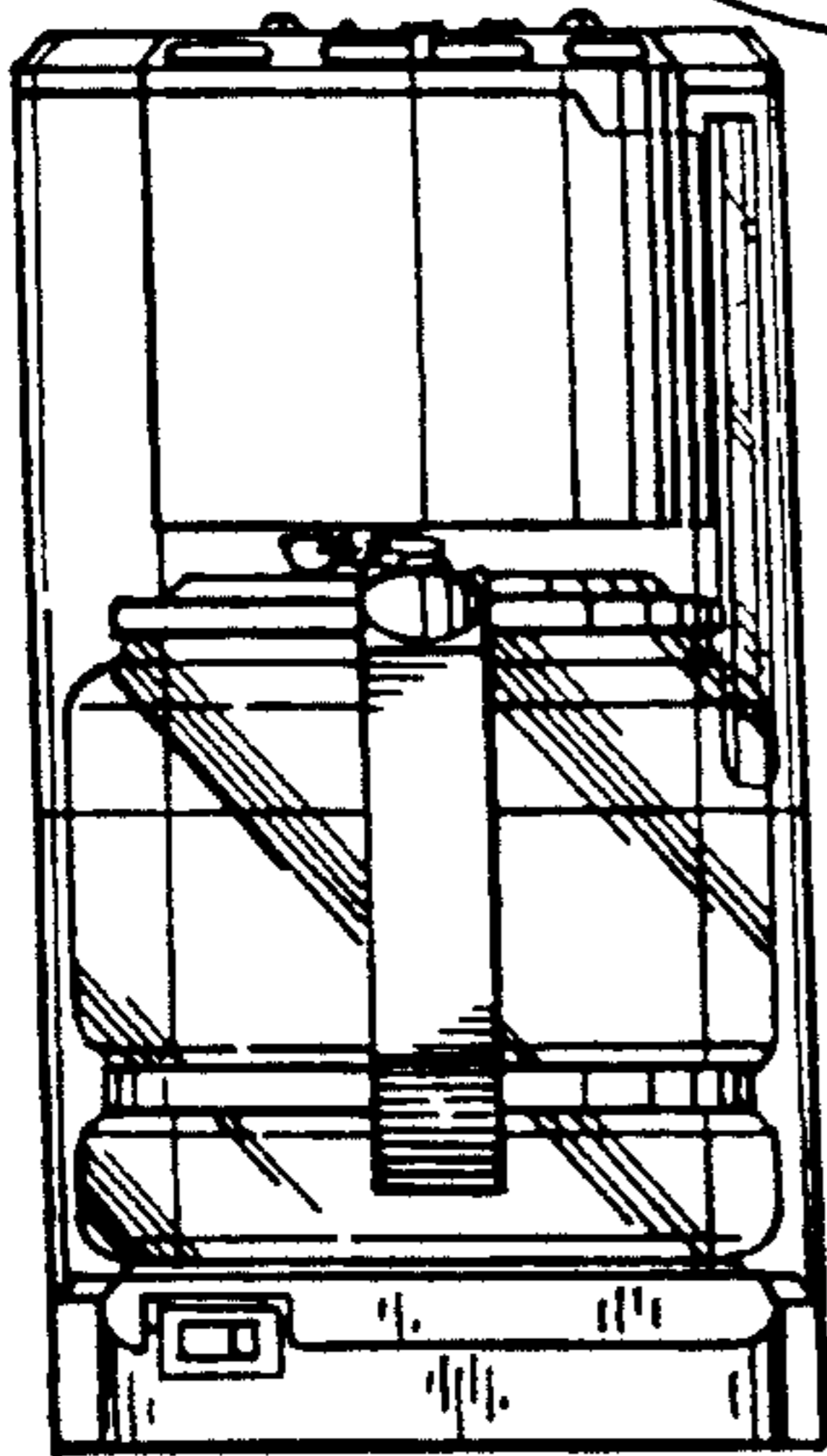
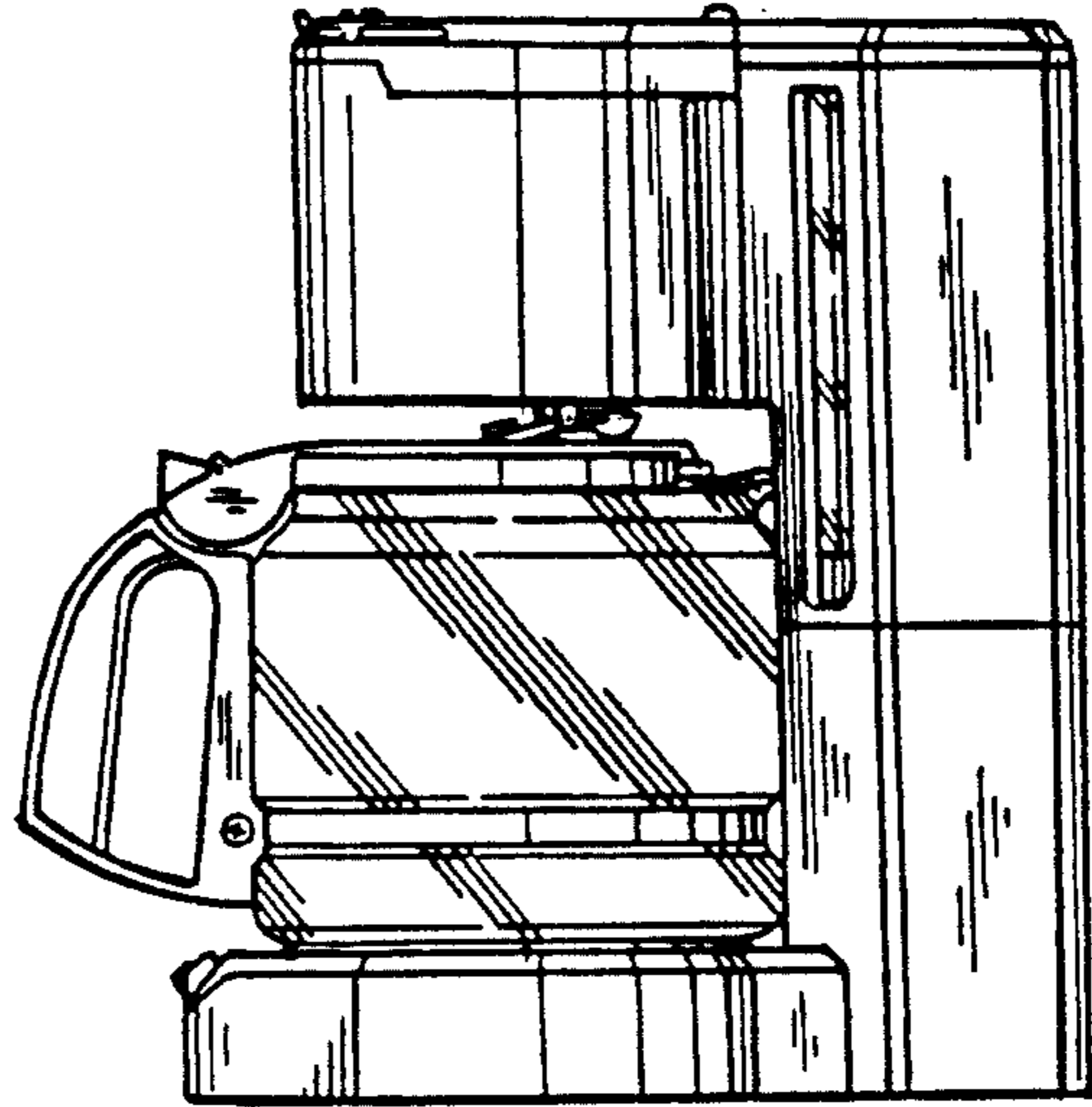


FIG-9

FIG-10

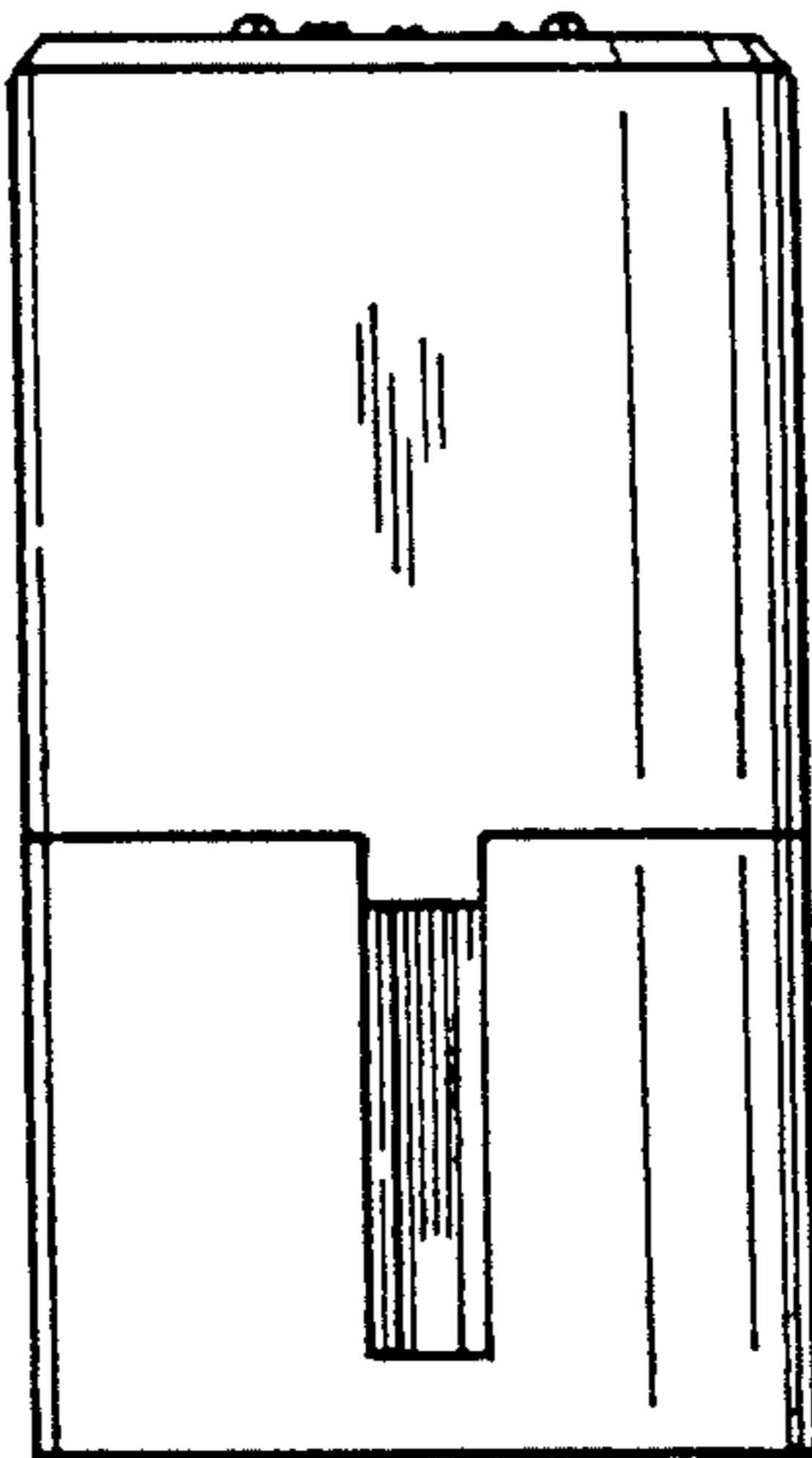


FIG-11

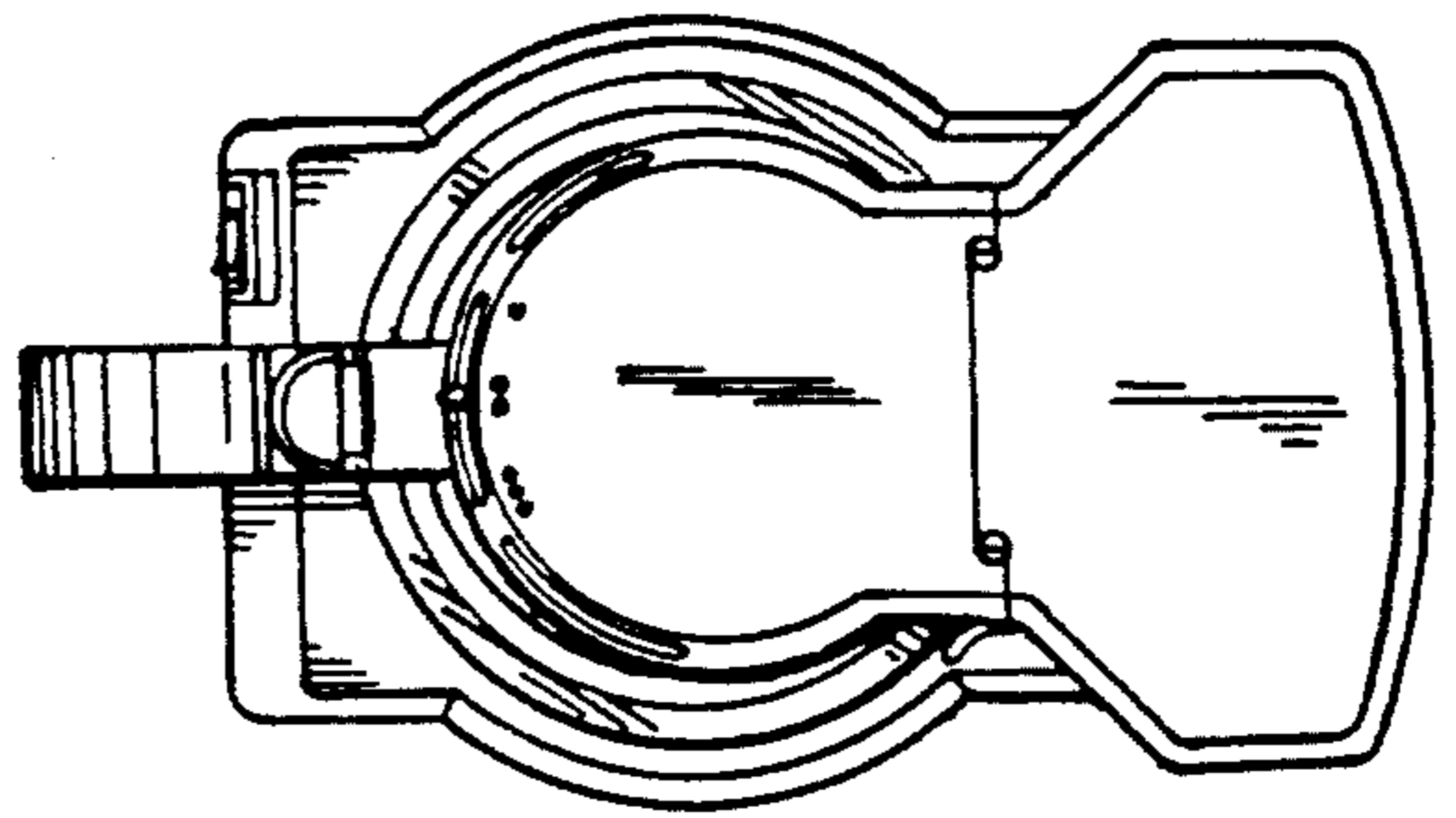


FIG-12

