



US00D346287S

United States Patent [19]

Rosen

[11] Patent Number: **Des. 346,287**

[45] Date of Patent: **** Apr. 26, 1994**

[54] CONVERTIBLE EASEL

[75] Inventor: **Lawrence Rosen, Mendam, N.J.**

[73] Assignee: **Rose Art Industries, Inc., Orange, N.J.**

[**] Term: **14 Years**

[21] Appl. No.: **856,922**

[22] Filed: **May 7, 1992**

[52] U.S. Cl. **D6/429; D6/310; D6/420**

[58] Field of Search **D6/419, 420, 429-431, D6/310-314; 248/441.1, 447, 448, 453, 454, 455, 457, 460; 40/1; D19/35, 36, 88, 91, 52; D21/59**

[56] **References Cited**

U.S. PATENT DOCUMENTS

D. 323,751	2/1992	Montegner	D6/420
D. 330,573	10/1992	Monneret	D21/121
2,844,896	7/1958	Kuruc	248/454 X
3,195,849	7/1965	Maddox	248/441.1
3,467,259	9/1969	Silner	248/460 X
3,692,273	9/1972	Woolman	248/460

4,971,284	11/1990	Curry	248/460
5,037,056	8/1991	Thompson	248/441.1
5,088,678	2/1992	Bitan	248/460

OTHER PUBLICATIONS

Rowles Co. Blackboards Mar. 1946, p. 5 Desk blackboards on page.

Best 1989/90 p. 315; "Little Tikes" double easel bottom right on page.

Primary Examiner—Carmen H. Vales-Lado
Attorney, Agent, or Firm—James & Franklin

[57] **CLAIM**

The ornamental design for a convertible easel, as shown and described.

DESCRIPTION

FIG. 1 is a perspective view of a convertible easel showing my new design;
FIG. 2 is a left end elevational view thereof;
FIG. 3 is a rear elevational view thereof;
FIG. 4 is a bottom plan view thereof;
FIG. 5 is a perspective view in a different position of use; and,
FIG. 6 is a front elevational view on a reduced scale of FIG. 5.

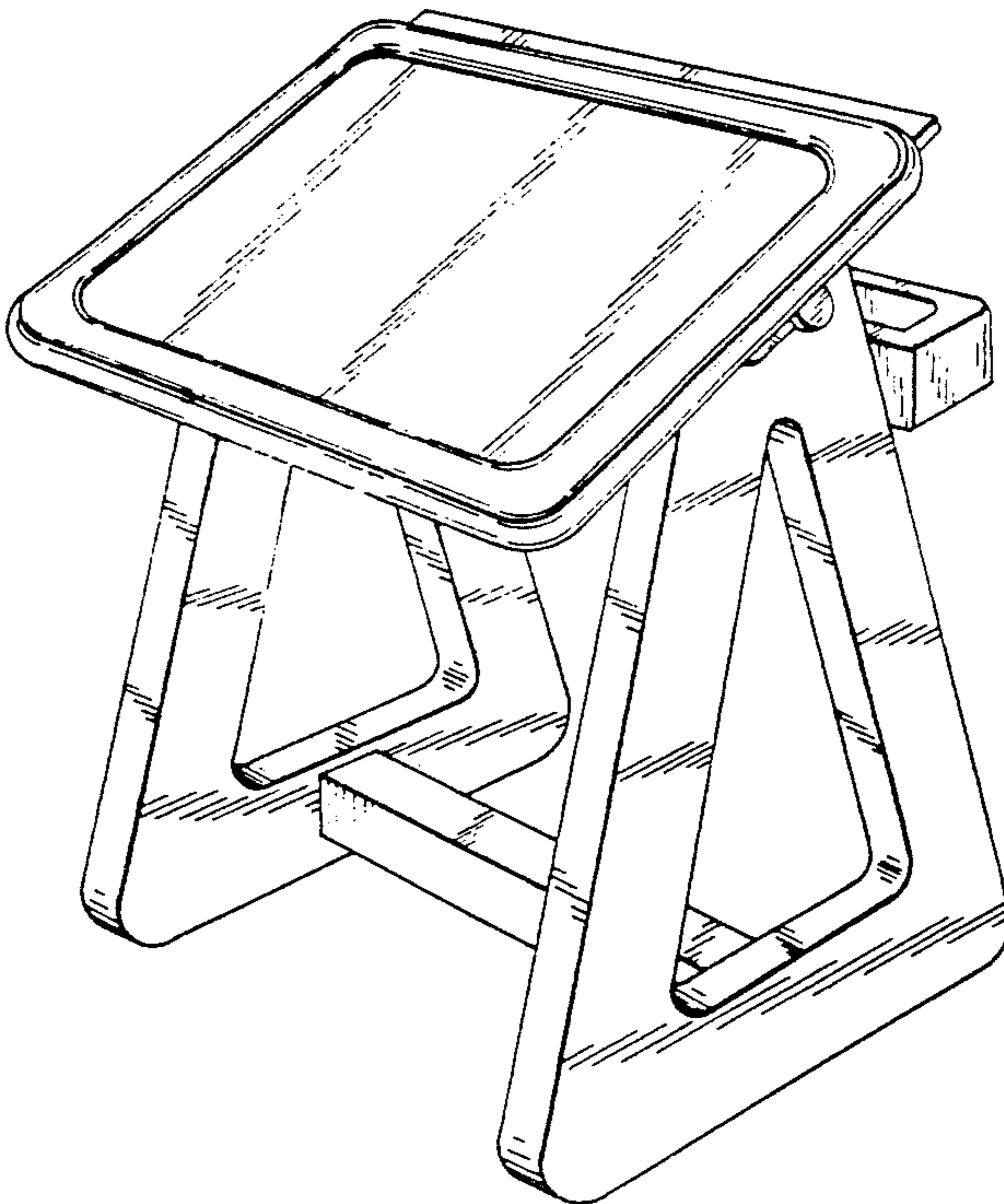
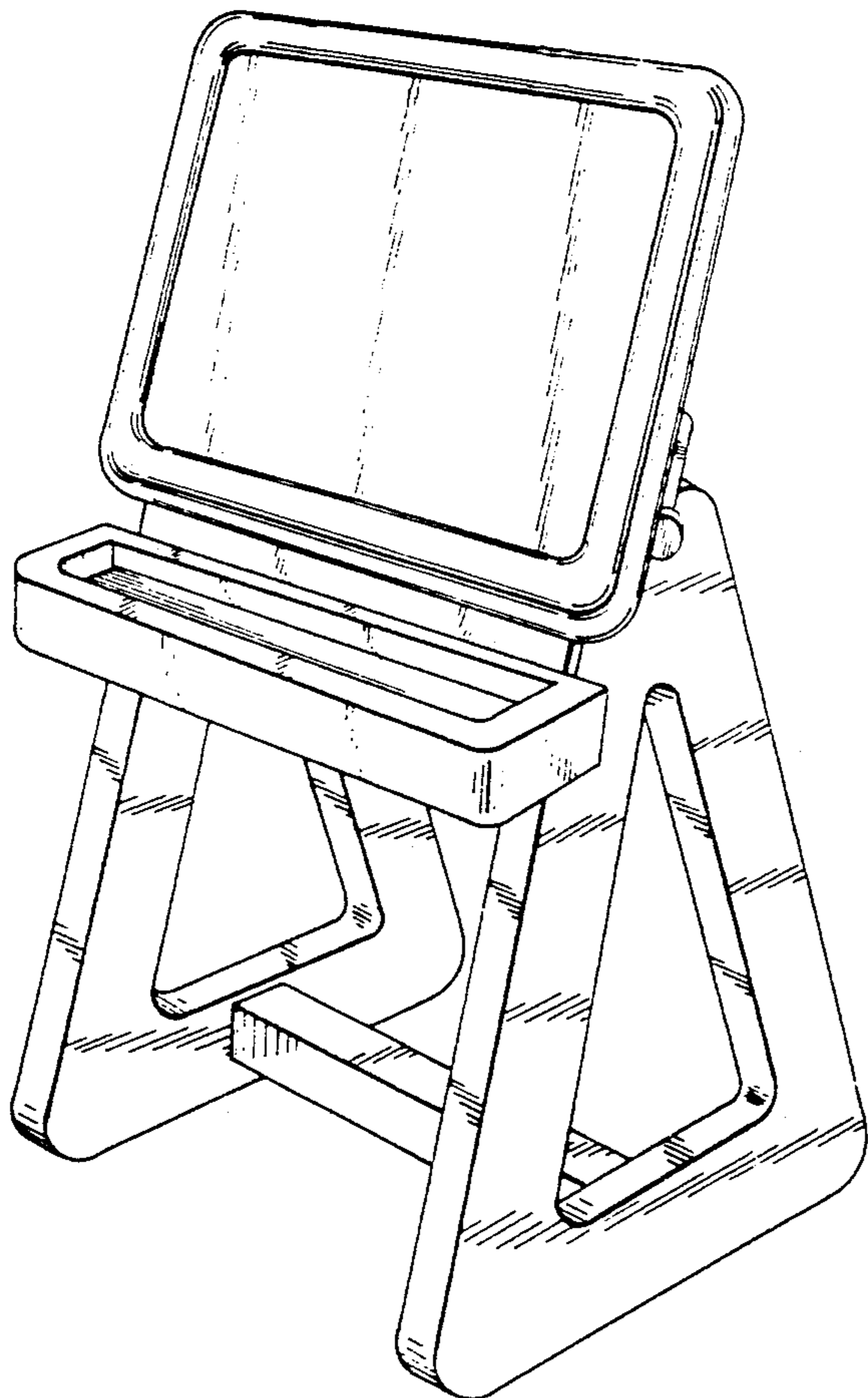


FIG. 1

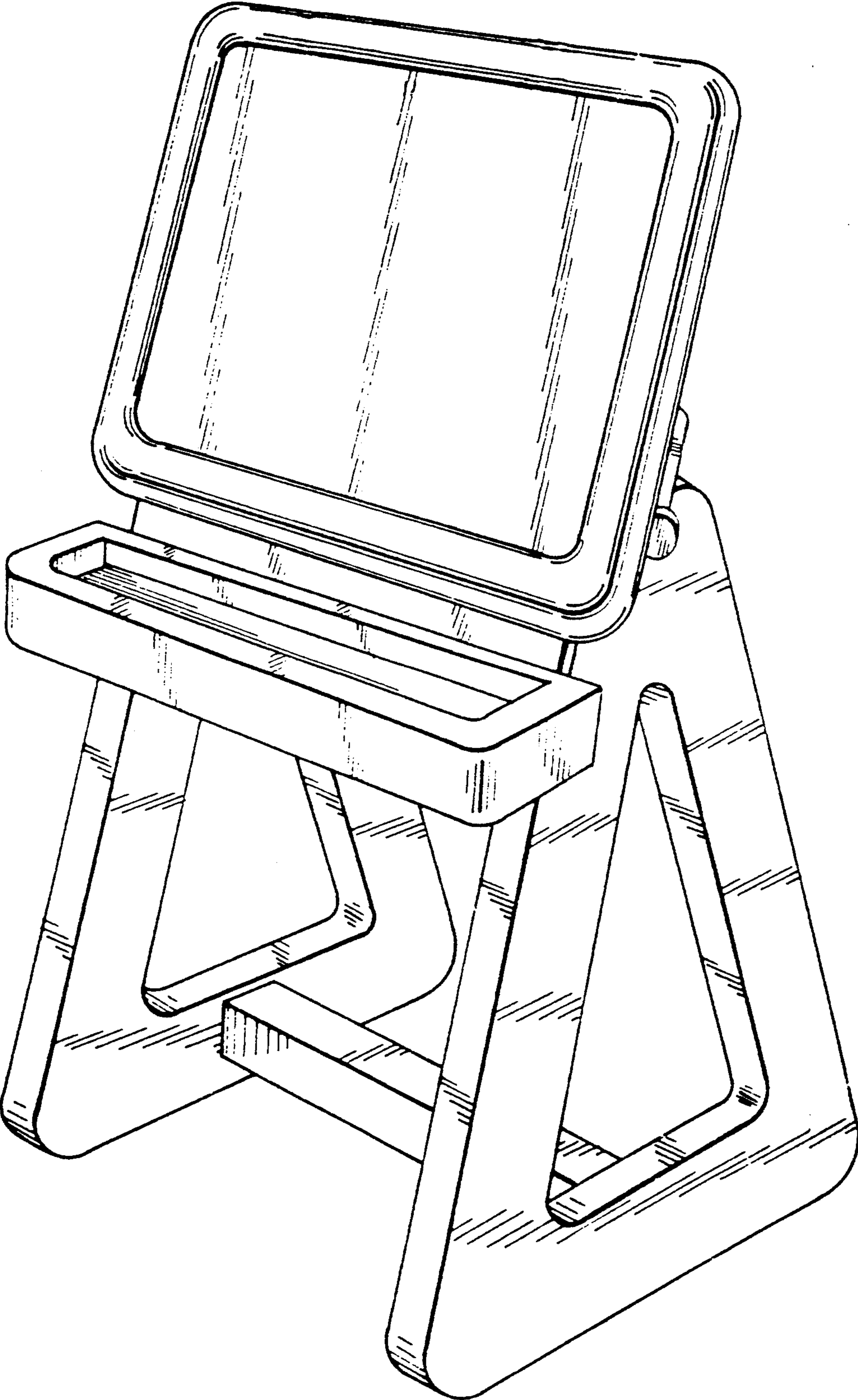


FIG. 2

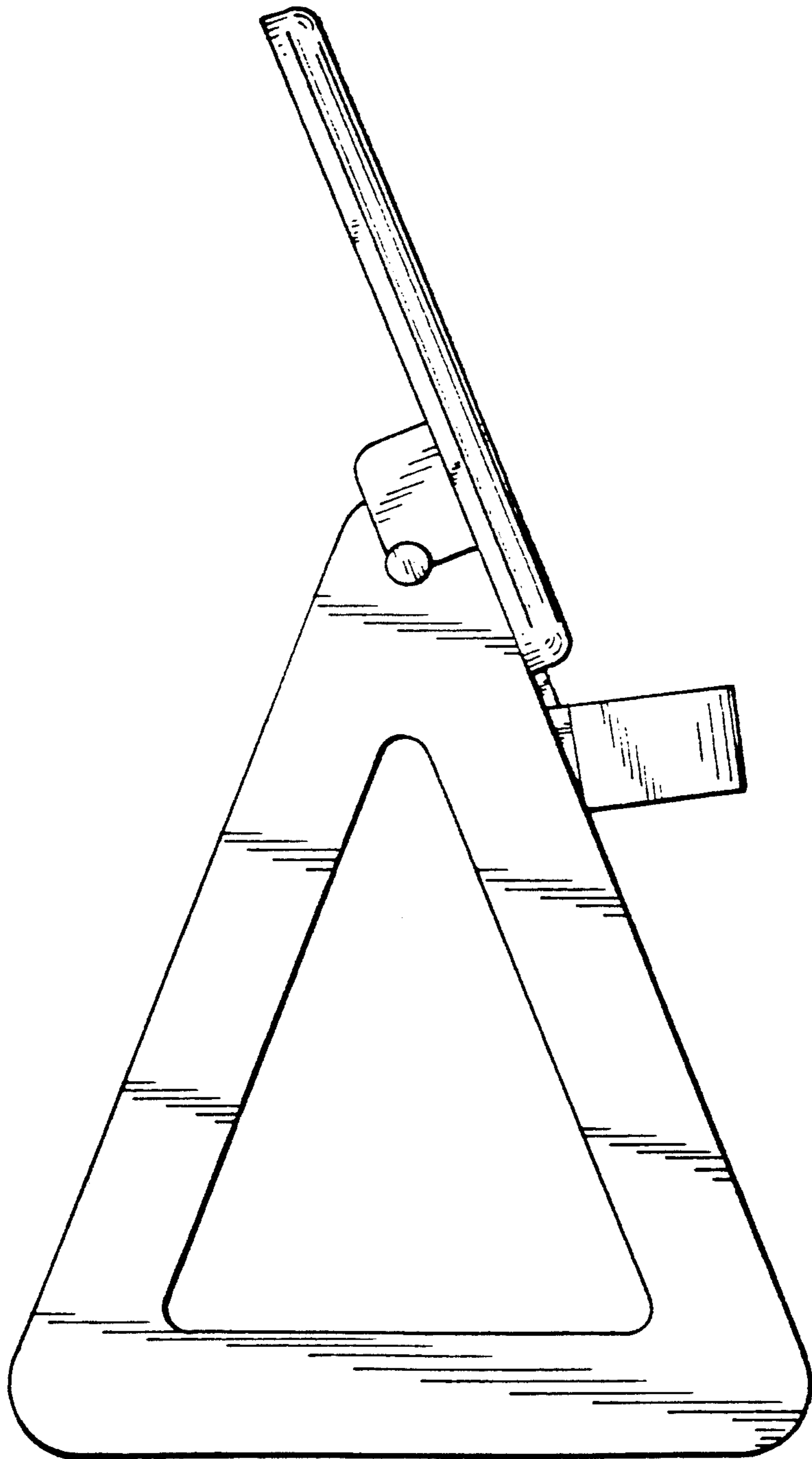
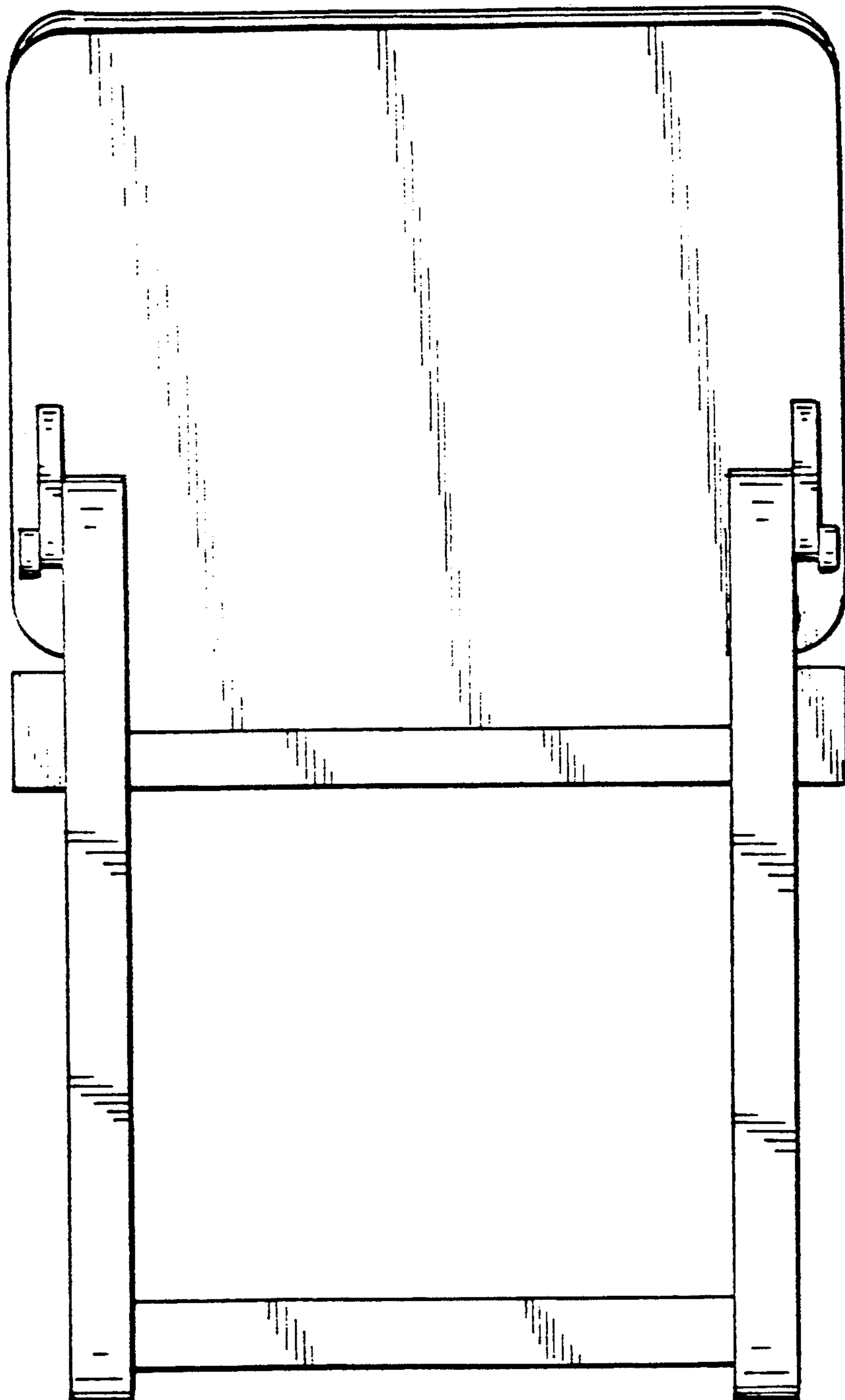


FIG. 3



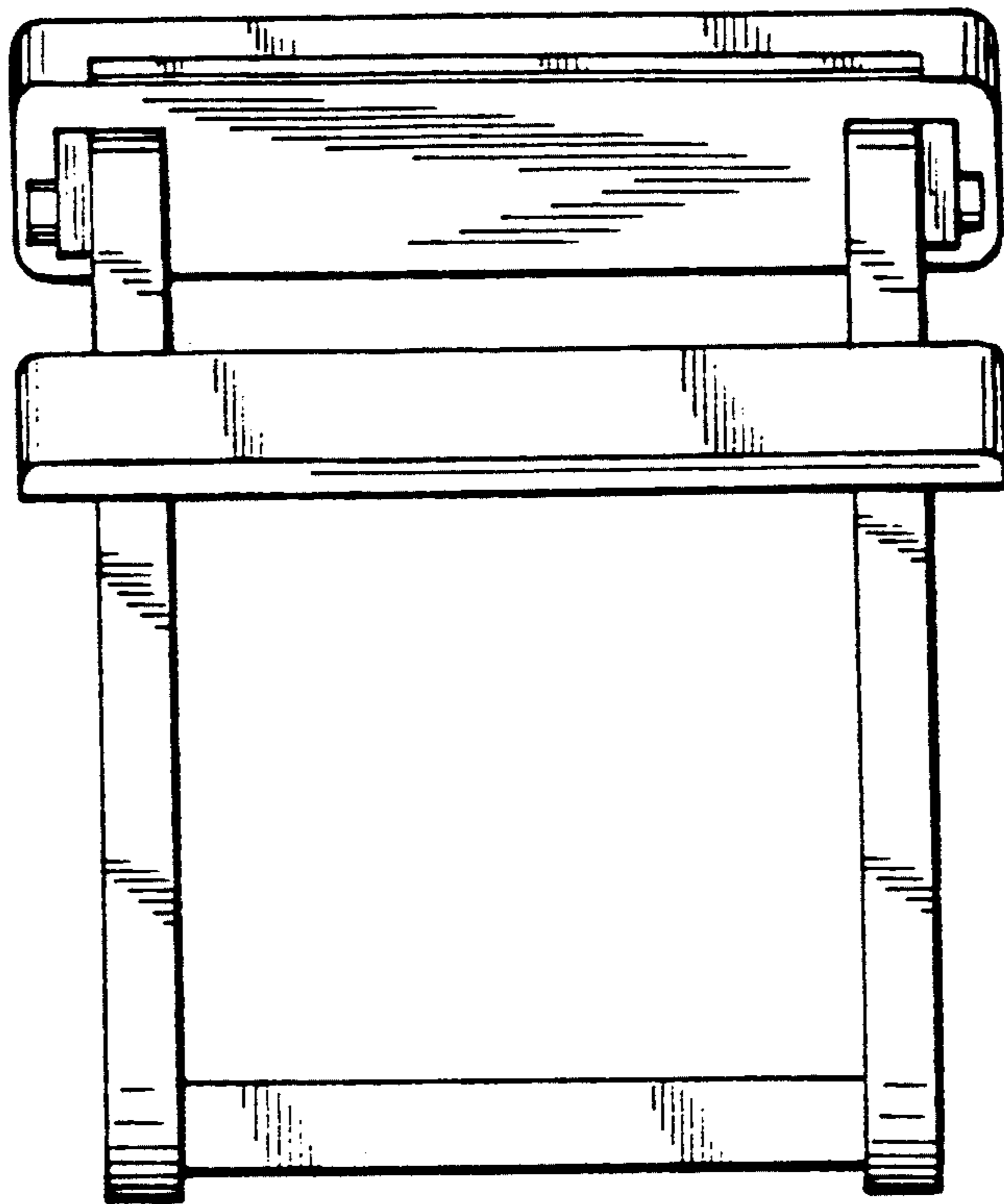


FIG. 6

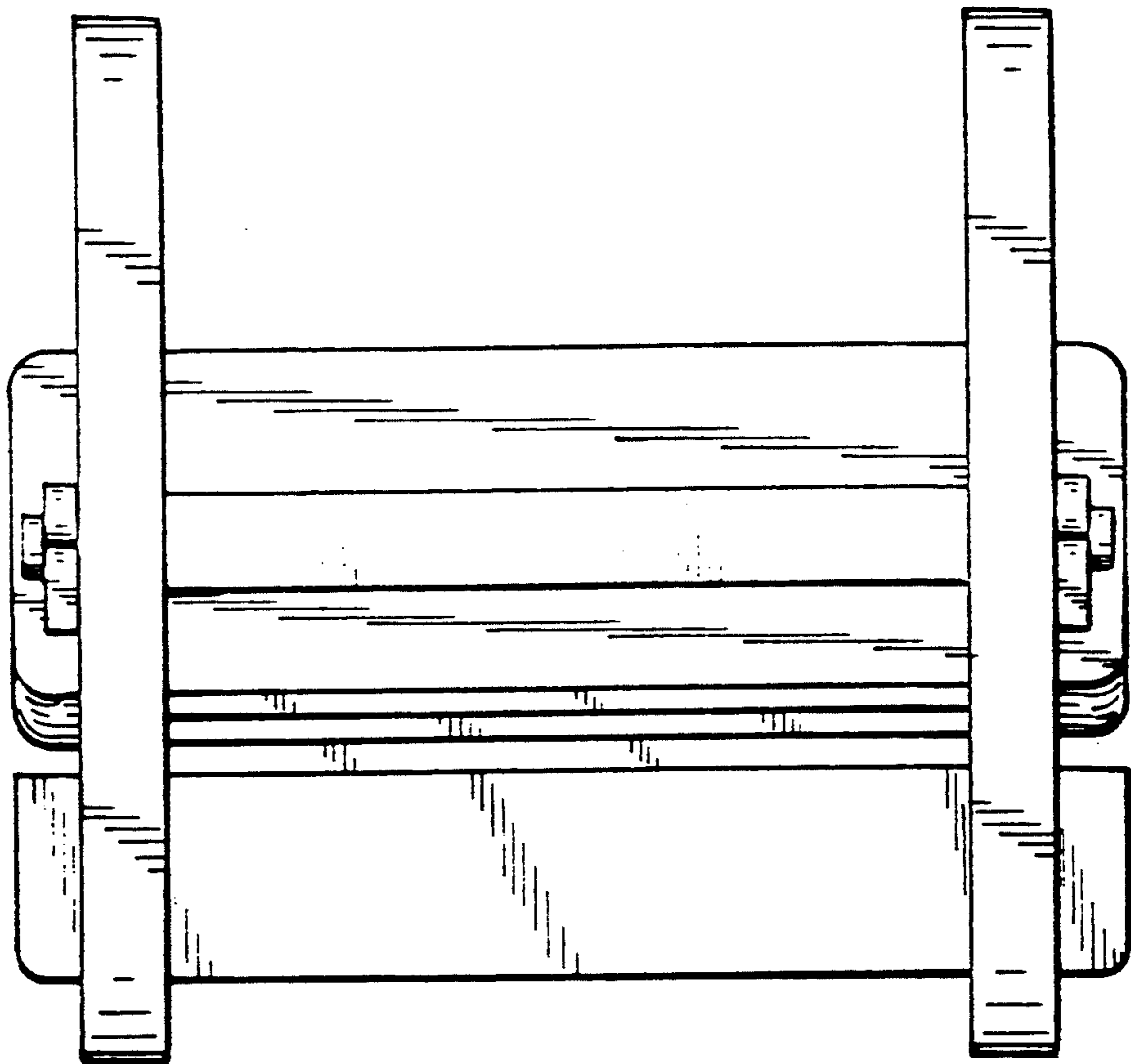


FIG. 4

FIG. 5

