



US00D346285S

# United States Patent [19]

[11] Patent Number: **Des. 346,285**

**Benveniste et al.**

[45] Date of Patent: **\*\* Apr. 26, 1994**

## [54] VIDEO CASSETTE HOLDER

[75] Inventors: **Edgar R. Benveniste; Gloria Benveniste**, both of 101 Udine Way, Los Angeles, Calif. 90077; **Harold Goodman**, Beverly Hills; **Kenneth A. Tarlow**, Manhattan Beach, both of Calif.

[73] Assignees: **Edgar R. Benveniste; Gloria Benveniste**, Los Angeles, Calif.

[\*\*] Term: **14 Years**

[21] Appl. No.: **900,255**

[22] Filed: **Jun. 17, 1992**

[52] U.S. Cl. .... **D6/631; D3/633**

[58] Field of Search ..... **D6/407, 466-468; D3/35; 211/40-42, 13; 206/387; 312/9.1-9.31**

### [56] References Cited

#### U.S. PATENT DOCUMENTS

D. 272,789 2/1984 Stoppino ..... D6/407

D. 281,658 12/1985 Kikutani ..... D6/407  
D. 287,426 12/1986 Godfrey ..... D3/35  
D. 317,079 5/1991 Schmidt et al. .... D3/35  
3,786,927 1/1974 Manheim ..... 211/40 X

### OTHER PUBLICATIONS

*Lillian Vernon* p. 76; CD carrying case item #616571 top right on page.

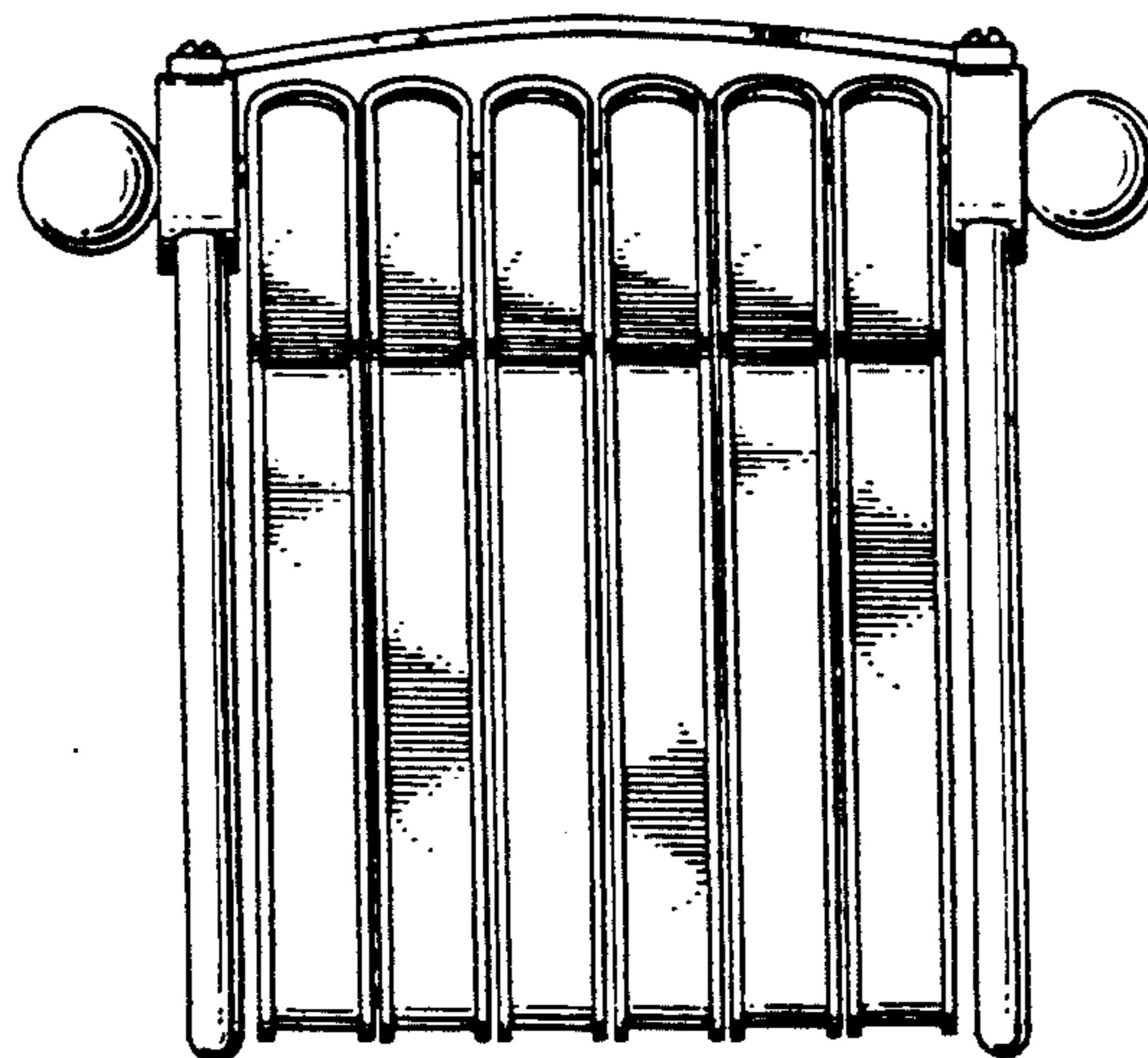
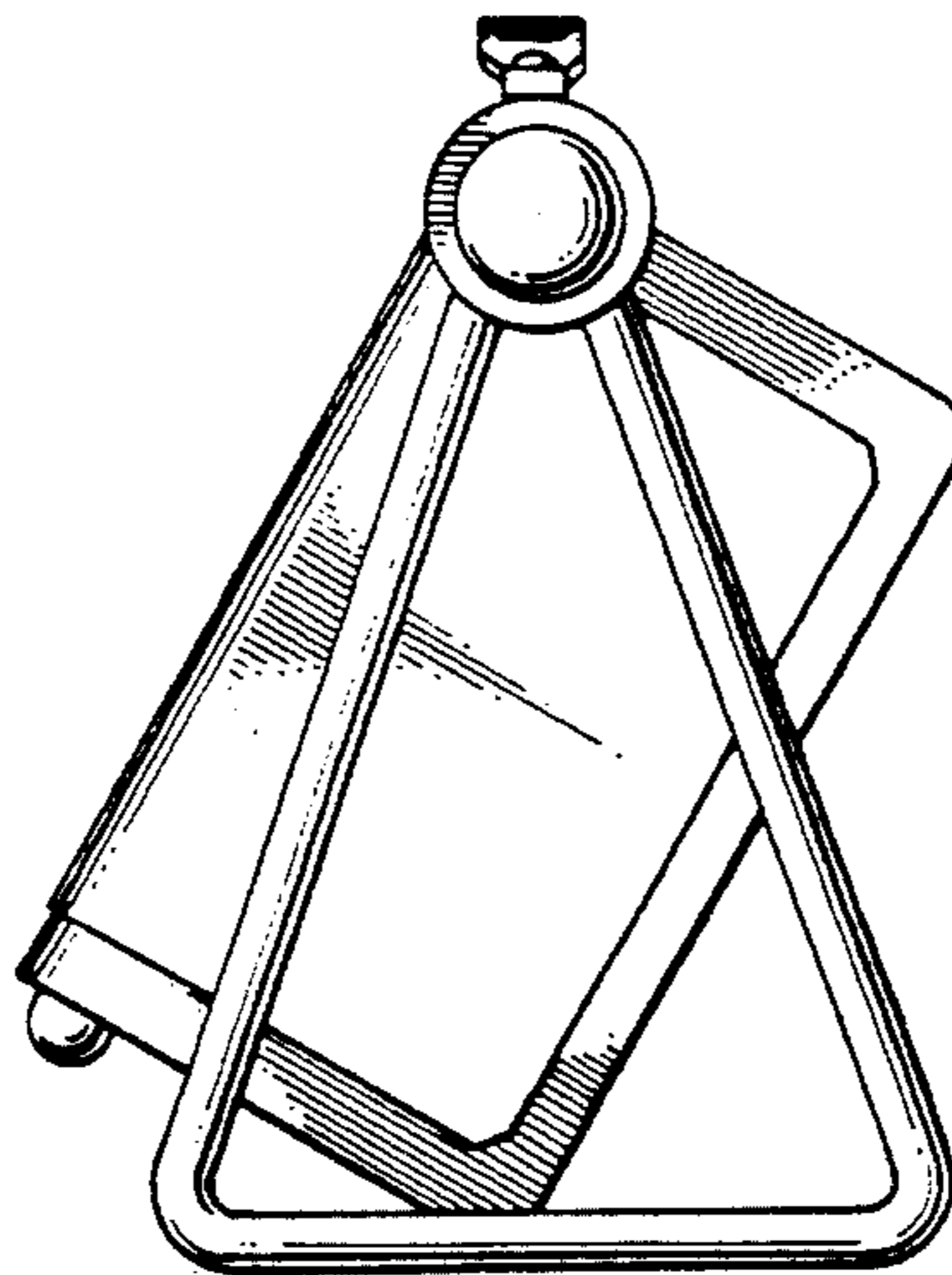
*Primary Examiner*—Carmen H. Vales-Lado  
*Attorney, Agent, or Firm*—Poms, Smith, Lande & Rose

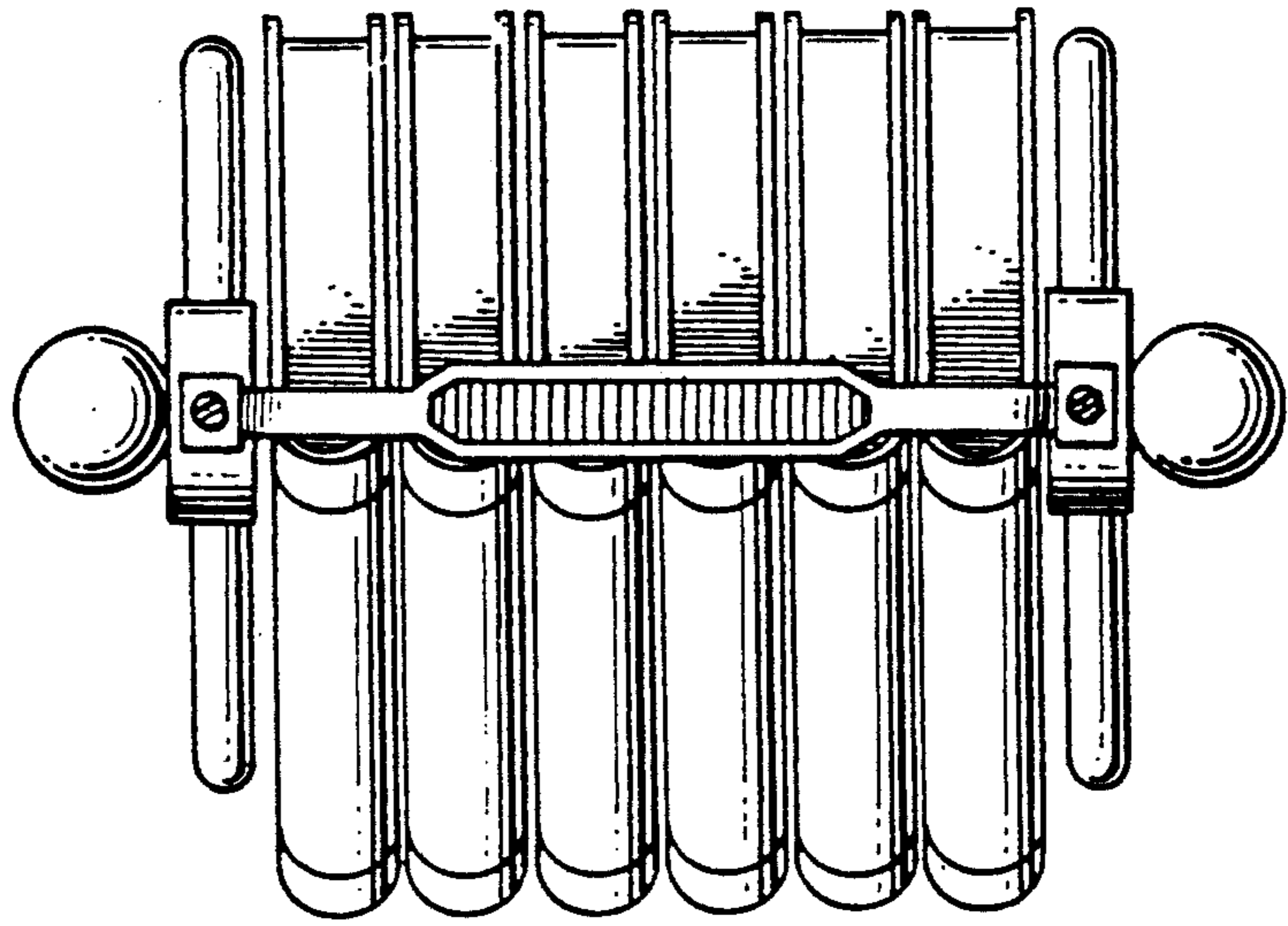
### [57] CLAIM

The ornamental design for a video cassette holder, as shown and described.

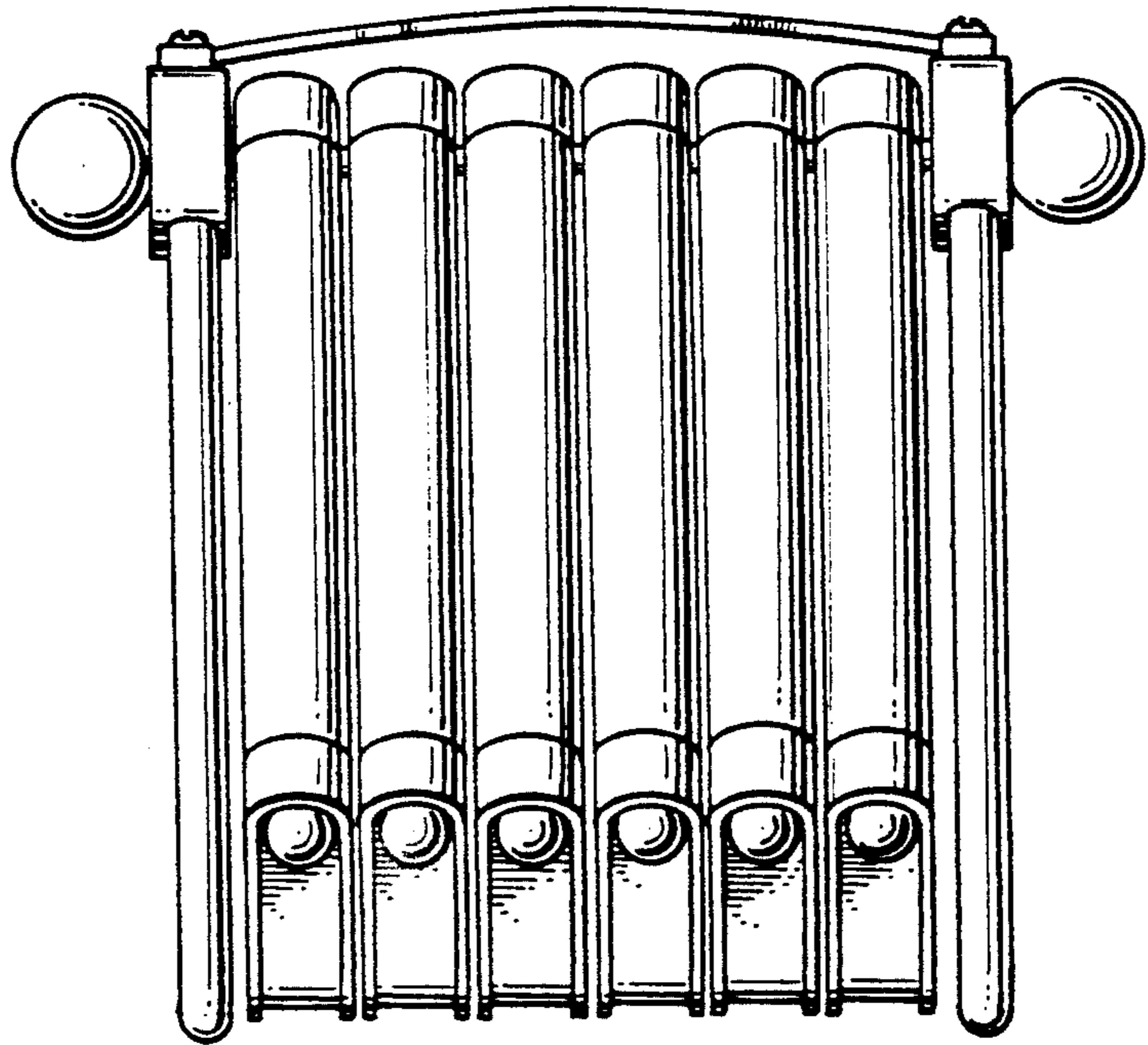
### DESCRIPTION

FIG. 1 is a top plan view of a video cassette holder showing our new design;  
FIG. 2 is a rear elevational view thereof;  
FIG. 3 is a bottom plan view thereof;  
FIG. 4 is left side elevational view thereof, the right side being a mirror image of the left side; and,  
FIG. 5 is a front elevational view thereof.

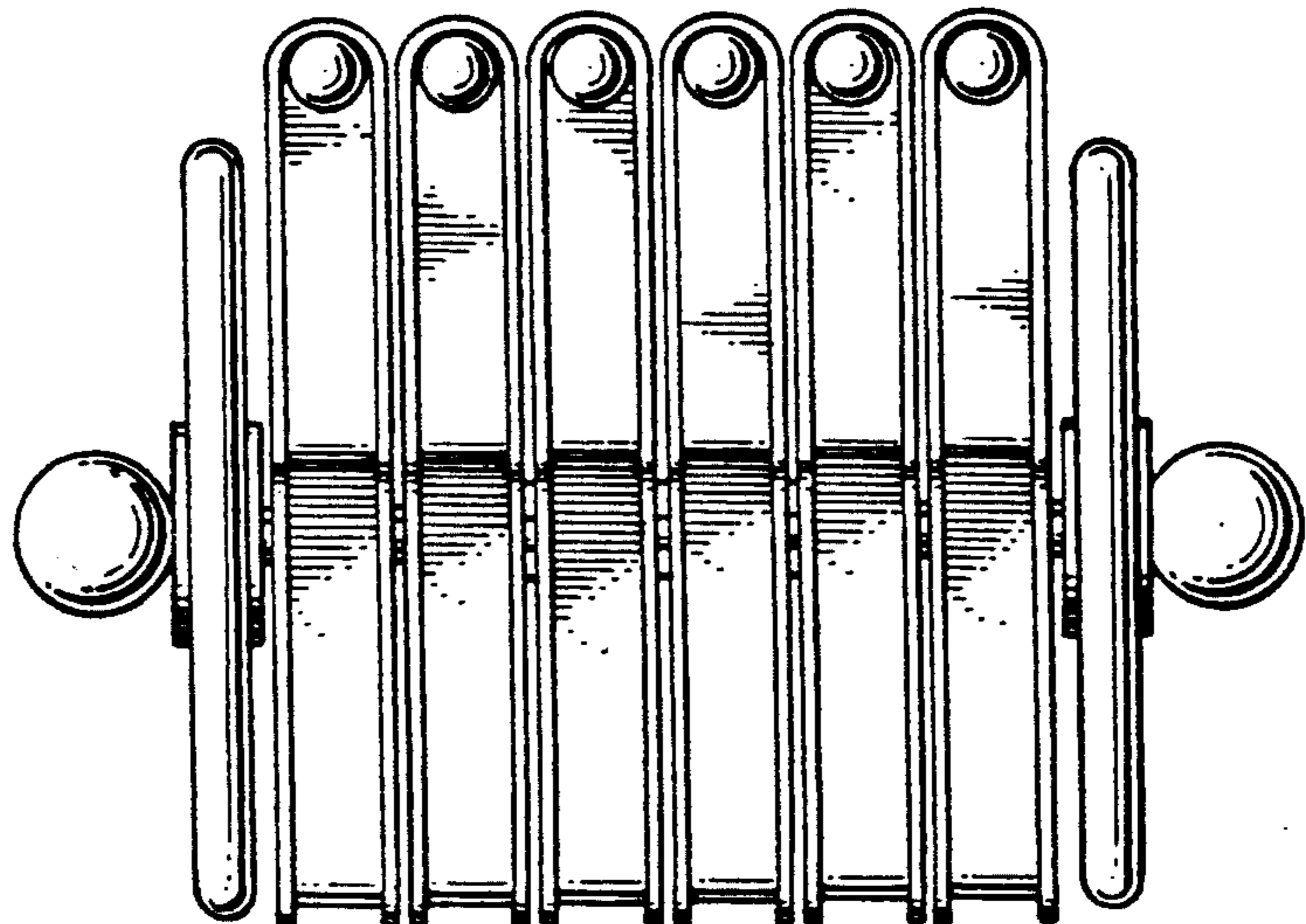




*Fig. 1.*

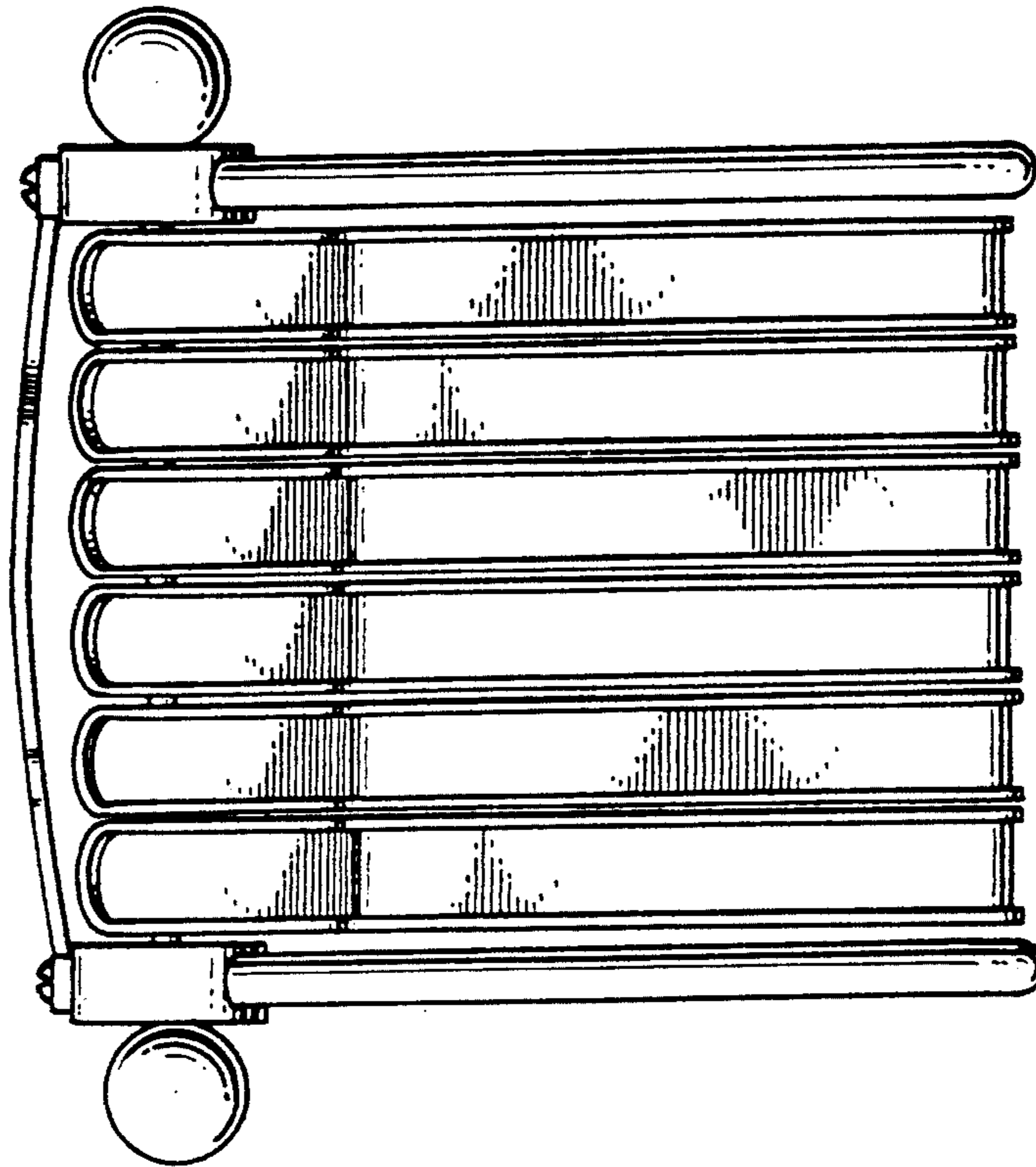


*Fig. 2.*



*Fig. 3.*

*Fig. 5.*



*Fig. 4.*

