



US00D346280S

United States Patent [19]

[11] Patent Number: **Des. 346,280**

Metter

[45] Date of Patent: **** Apr. 26, 1994**

[54] **SPORTS SEAT**

[76] Inventor: **Eugene A. Metter**, 10713 St. Francis La., St. Ann, Mo. 63074

[**] Term: **14 Years**

[21] Appl. No.: **912,646**

[22] Filed: **Jul. 14, 1992**

[52] U.S. Cl. **D6/368; D6/335**

[58] Field of Search **D6/334, 335, 367, 368, D6/374, 375, 380, 500, 501, 502; 297/252, 352, 371**

3,994,529	11/1976	Lippert	D6/368 X
4,045,834	9/1977	Mason	297/352 X
4,493,285	1/1985	Williams	114/363
4,674,631	6/1987	Williams	297/129 X
4,843,999	7/1989	Kobus et al.	114/363

Primary Examiner—Alan P. Douglas
Assistant Examiner—Gary D. Watson
Attorney, Agent, or Firm—Grace J. Fishel

[57] **CLAIM**

The ornamental design for a sports seat, as shown.

DESCRIPTION

FIG. 1 is a perspective view of a sports seat showing my new design in use in a canoe;

FIG. 2 is a perspective view of my new design in use as a beach chair;

FIG. 3 is a front elevational view thereof;

FIG. 4 is a left side elevational view thereof;

FIG. 5 is a top plan view thereof;

FIG. 6 is a rear elevational view thereof; and,

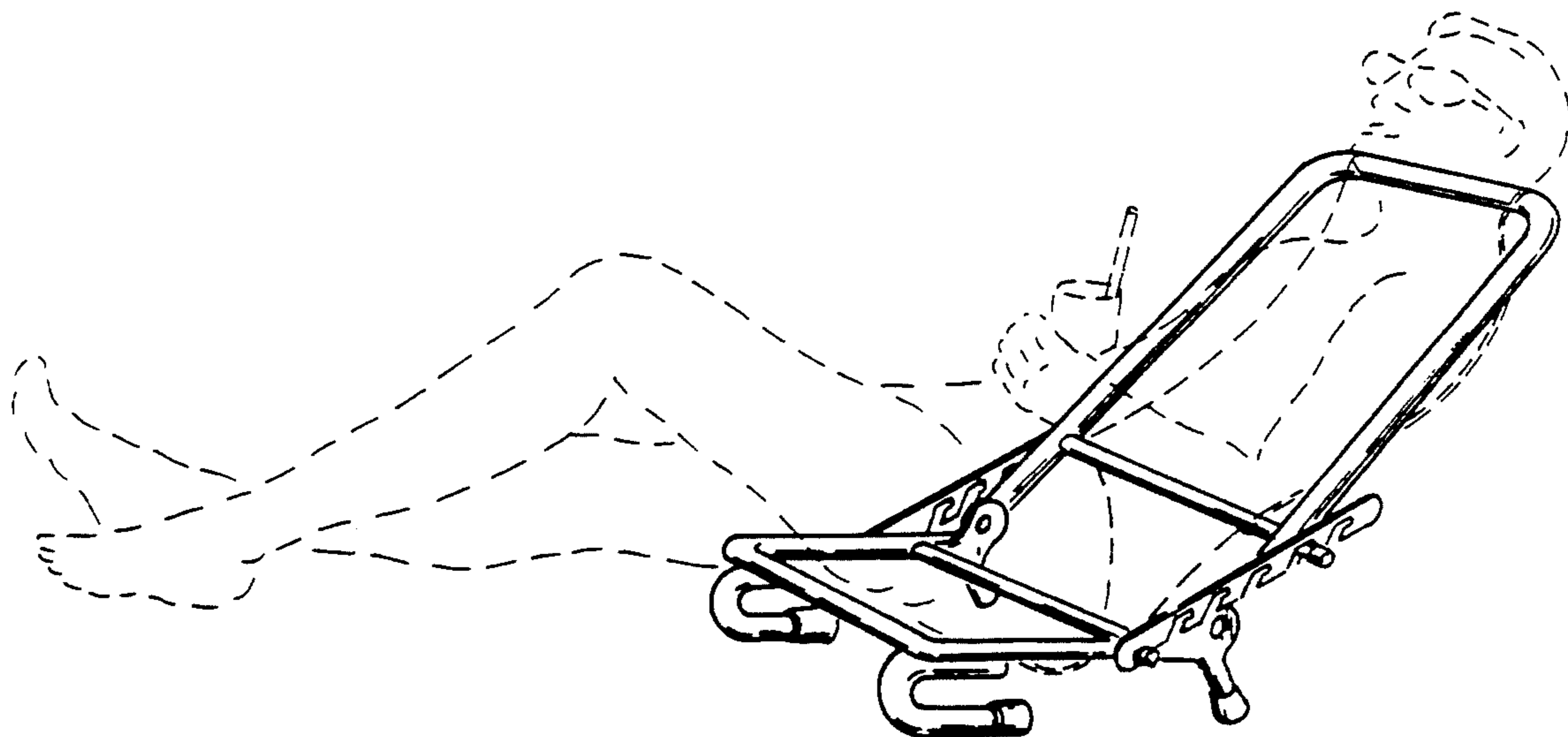
FIG. 7 is a bottom plan view thereof.

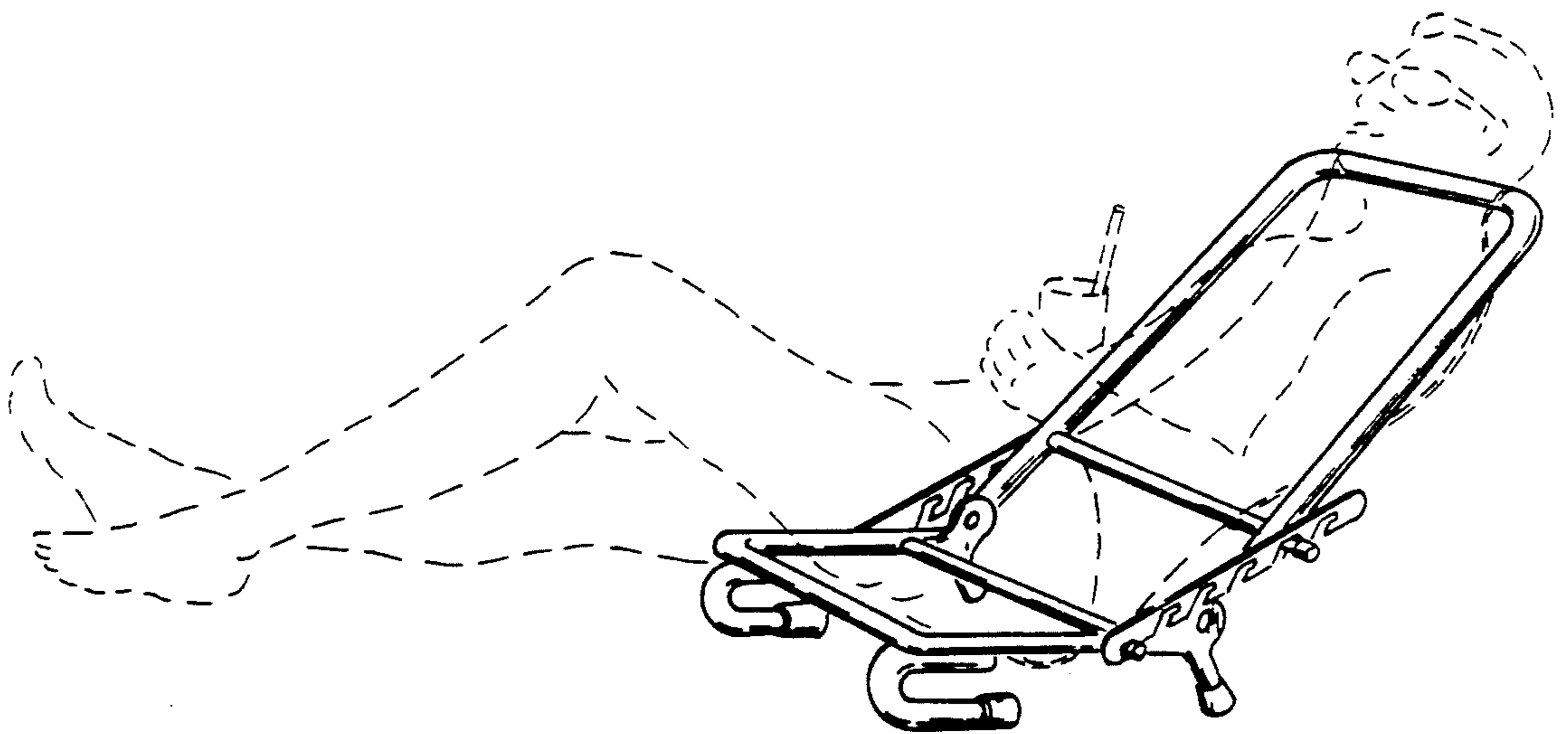
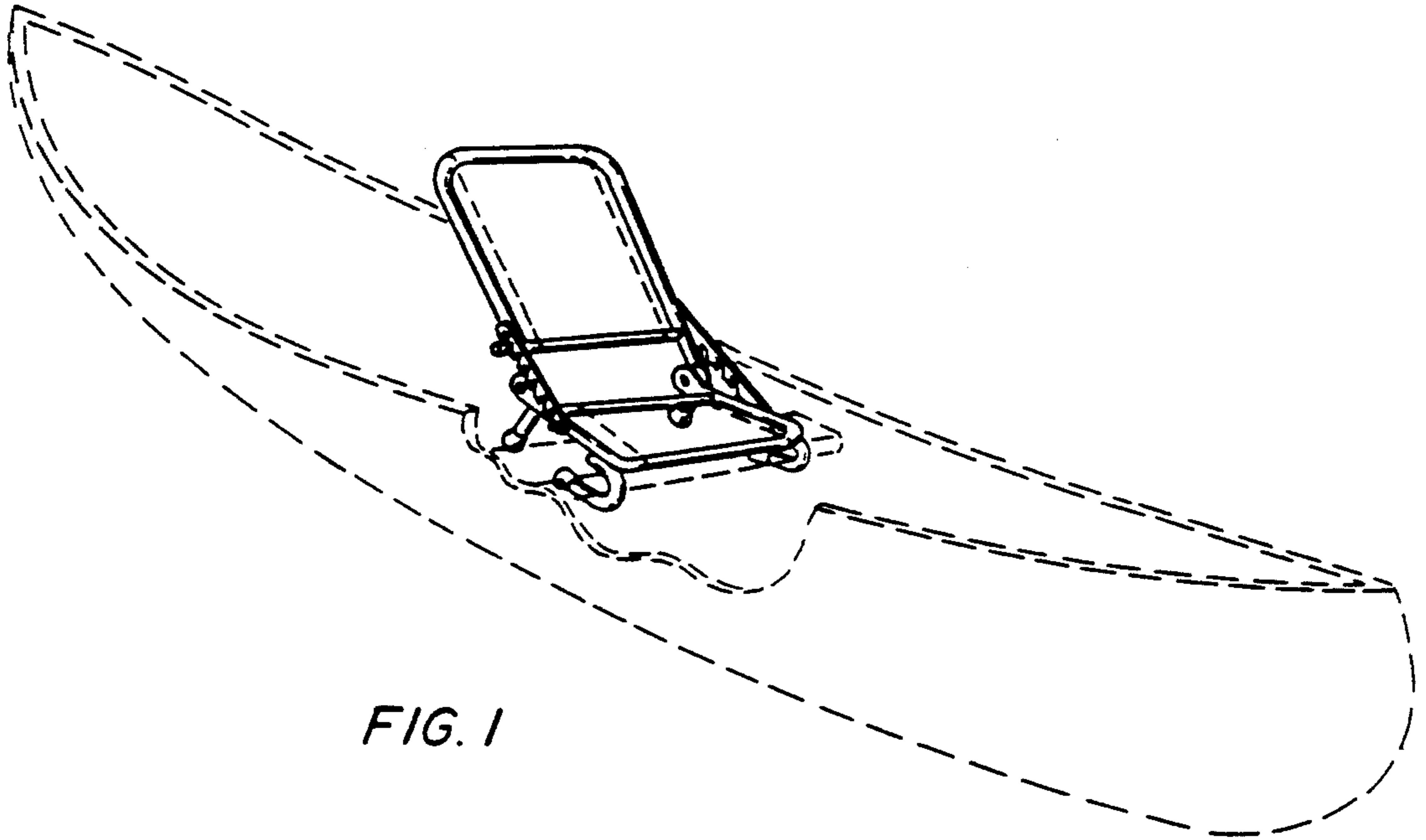
The canoe and man shown in broken lines in FIGS. 1 and 2 and the seat and backrest shown in FIGS. 1-7 denote the nature and environmental use of the design and are not part of the design.

[56] **References Cited**

U.S. PATENT DOCUMENTS

D. 250,442	12/1978	Pesiri	D6/368
D. 287,553	1/1987	Rossi	D6/368
D. 290,797	7/1987	Hartt	D6/502
D. 301,191	5/1989	Anello et al.	D6/502
720,034	2/1903	Kerr	297/252 X
2,254,684	9/1941	Ivey	297/252
2,538,433	10/1950	Hines	297/252 X
2,571,282	10/1951	Newton et al.	297/252
3,066,980	12/1962	Clute	297/252
3,990,743	11/1976	Nelson	297/352





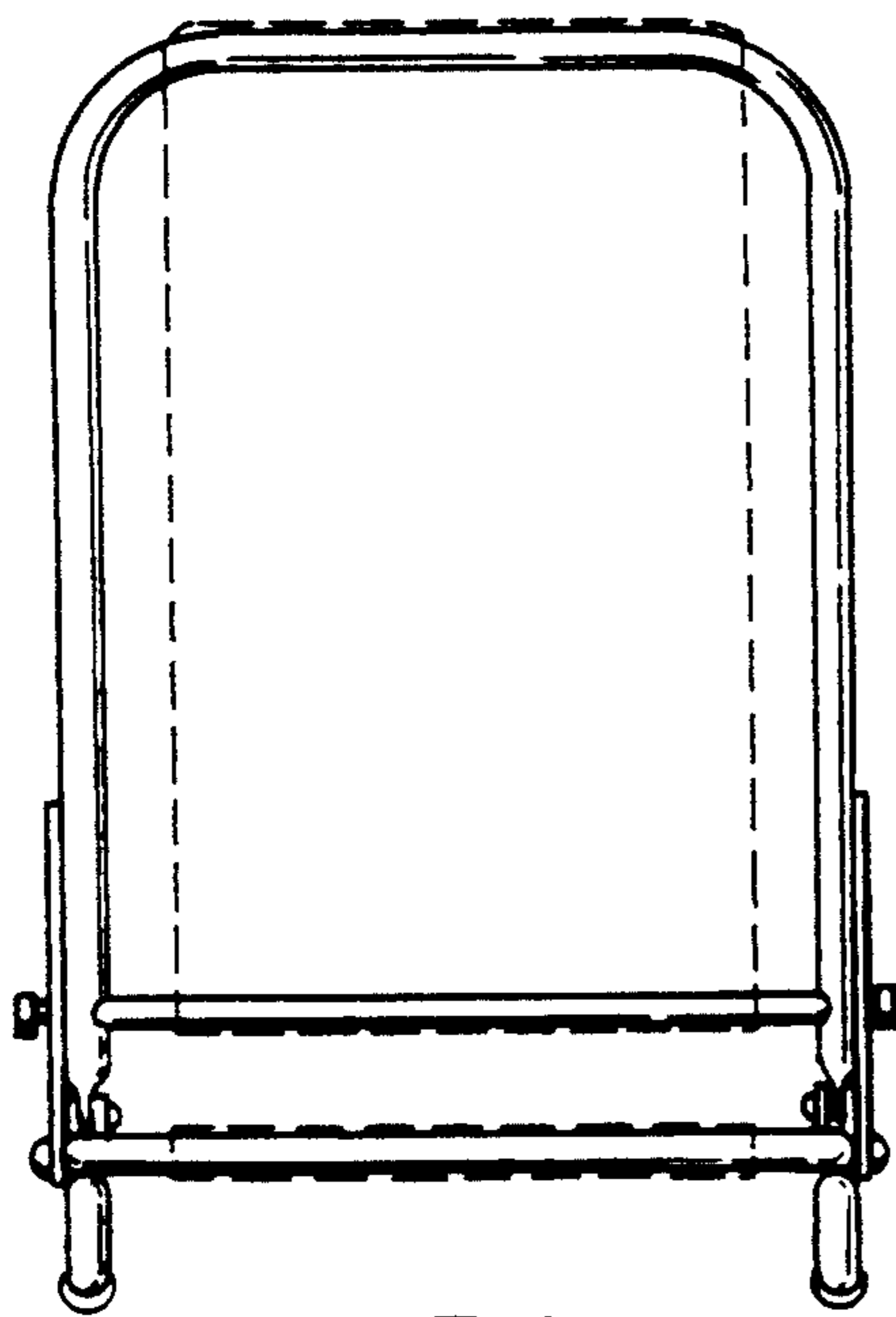


FIG. 3

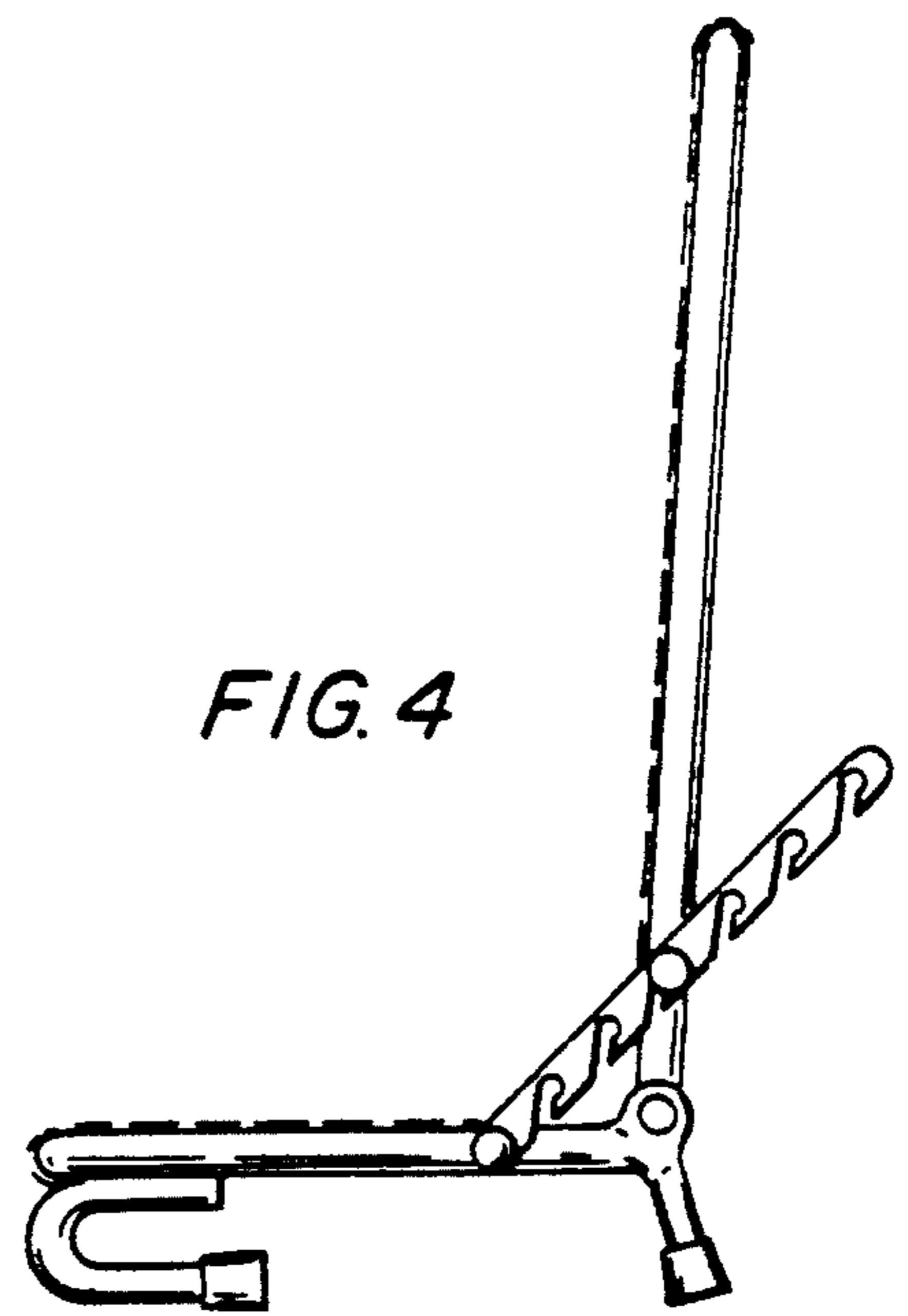


FIG. 4

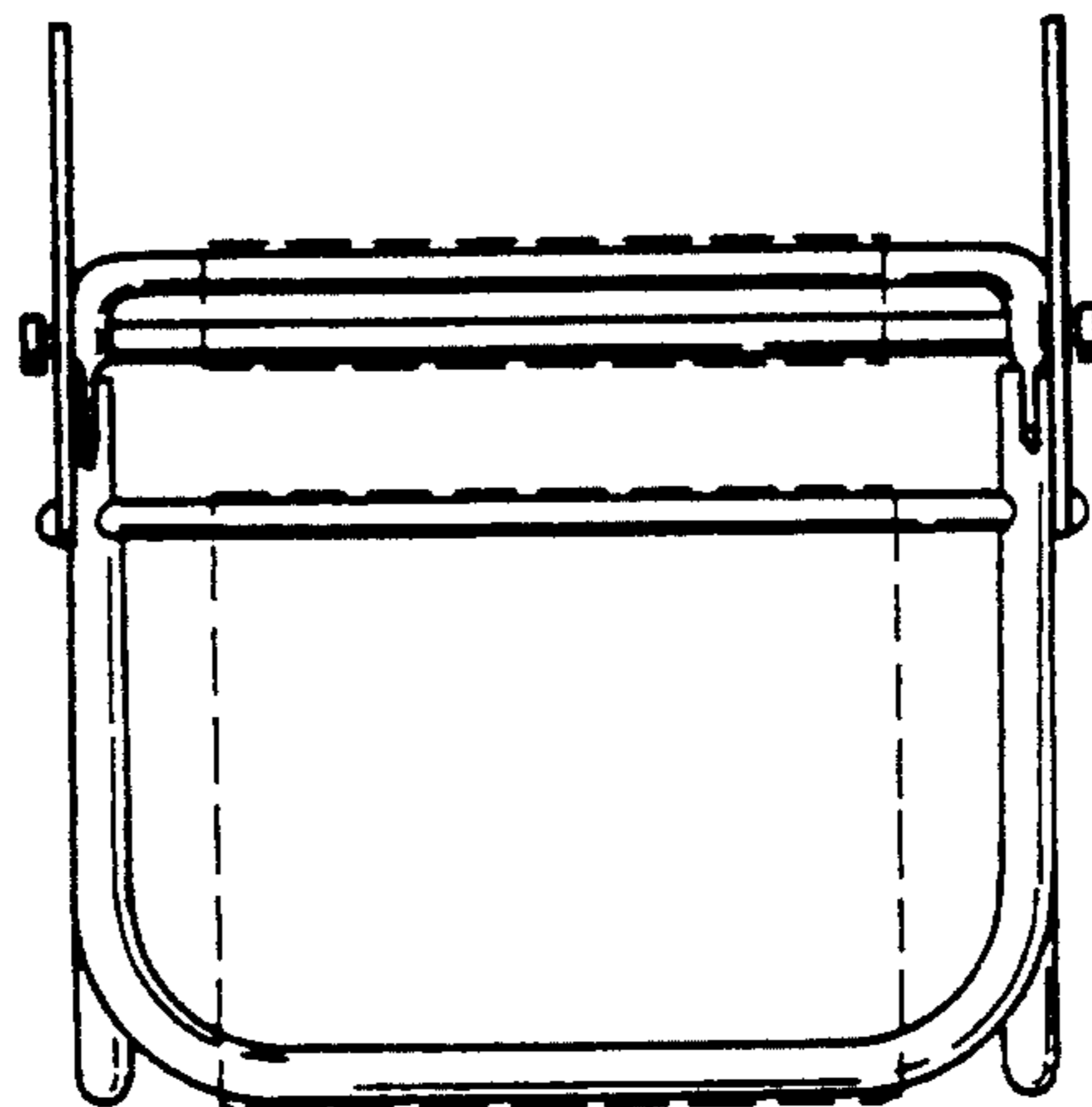


FIG. 5

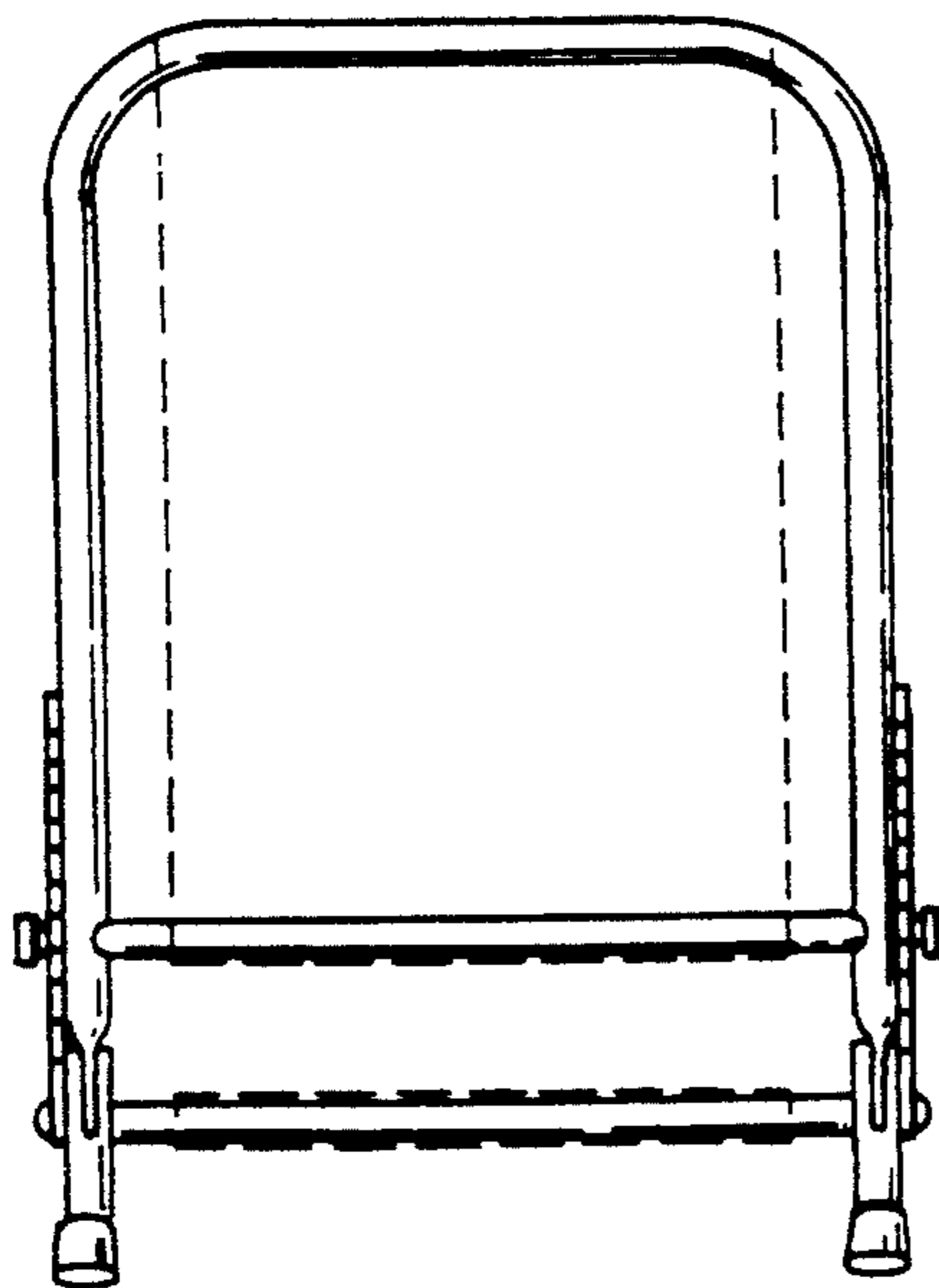


FIG. 6

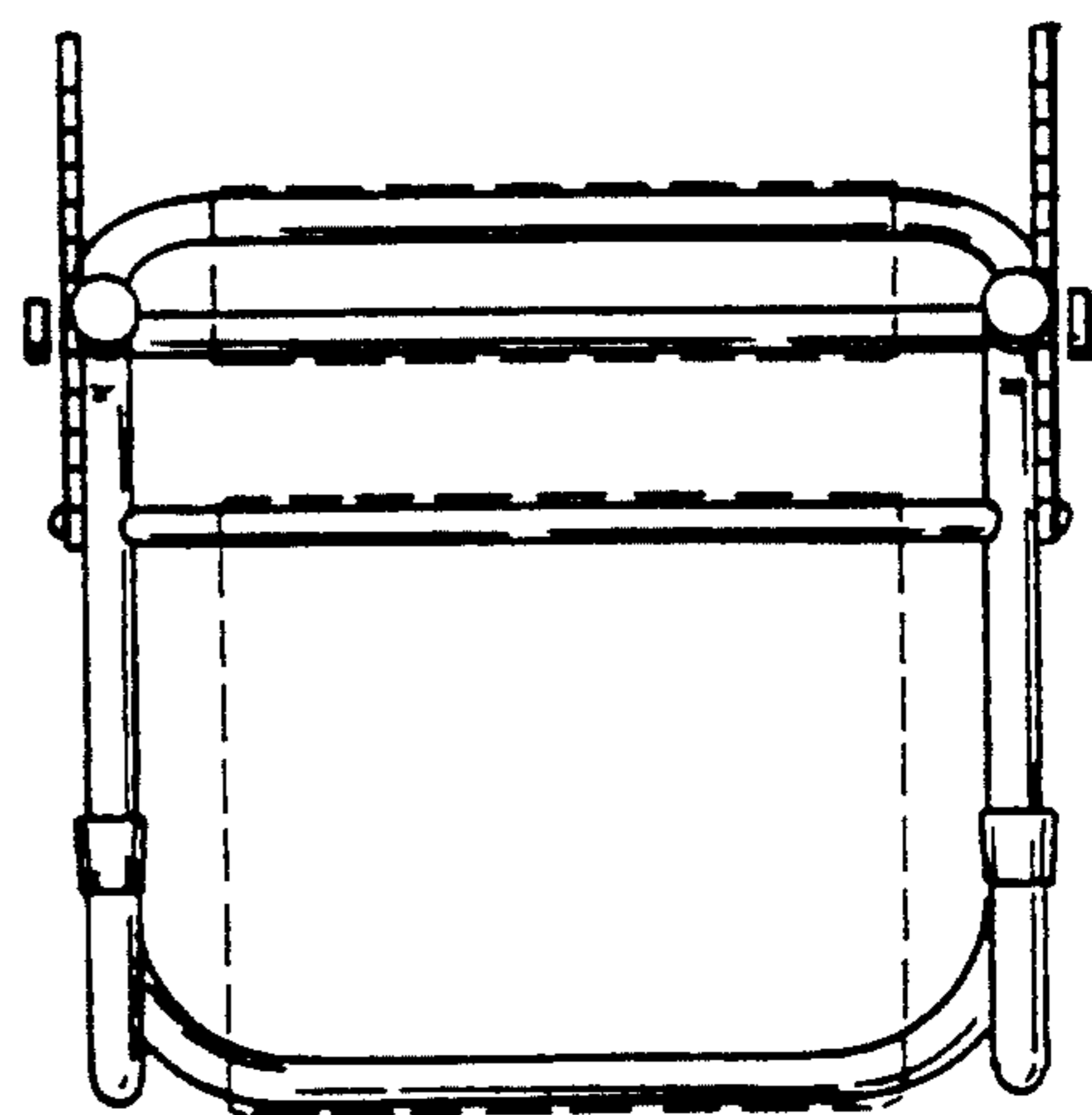


FIG. 7