



US00D346278S

United States Patent [19]

[11] Patent Number: **Des. 346,278**

Pritchett

[45] Date of Patent: **** Apr. 26, 1994**

[54] **FRAME CORNER**

[76] Inventor: **Ronald G. Pritchett, #119, 15215**
Victory Blvd., Van Nuys, Calif.
91411

[**] Term: **14 Years**

[21] Appl. No.: **930,220**

[22] Filed: **Aug. 14, 1992**

[52] U.S. Cl. **D6/300**

[58] Field of Search **D6/300-303,**
D6/306, 308, 310-314; D8/382; 403/295, 401;
40/152-152.2, 154-156, 158.1-159.1

[56] **References Cited**

U.S. PATENT DOCUMENTS

- D. 231,430 4/1974 Steinhauser D8/382
- D. 259,083 5/1981 Riegsecker D8/382 X
- 696,935 4/1902 Buechner 40/155 X

- 2,661,560 12/1953 Malbuy 40/152.1
- 3,304,108 2/3196 Hamilten et al. 403/295
- 4,124,322 11/1978 Parisien 403/295
- 4,547,986 10/1985 Sherman 403/401 X
- 4,995,181 2/1991 Wolf 40/152.2

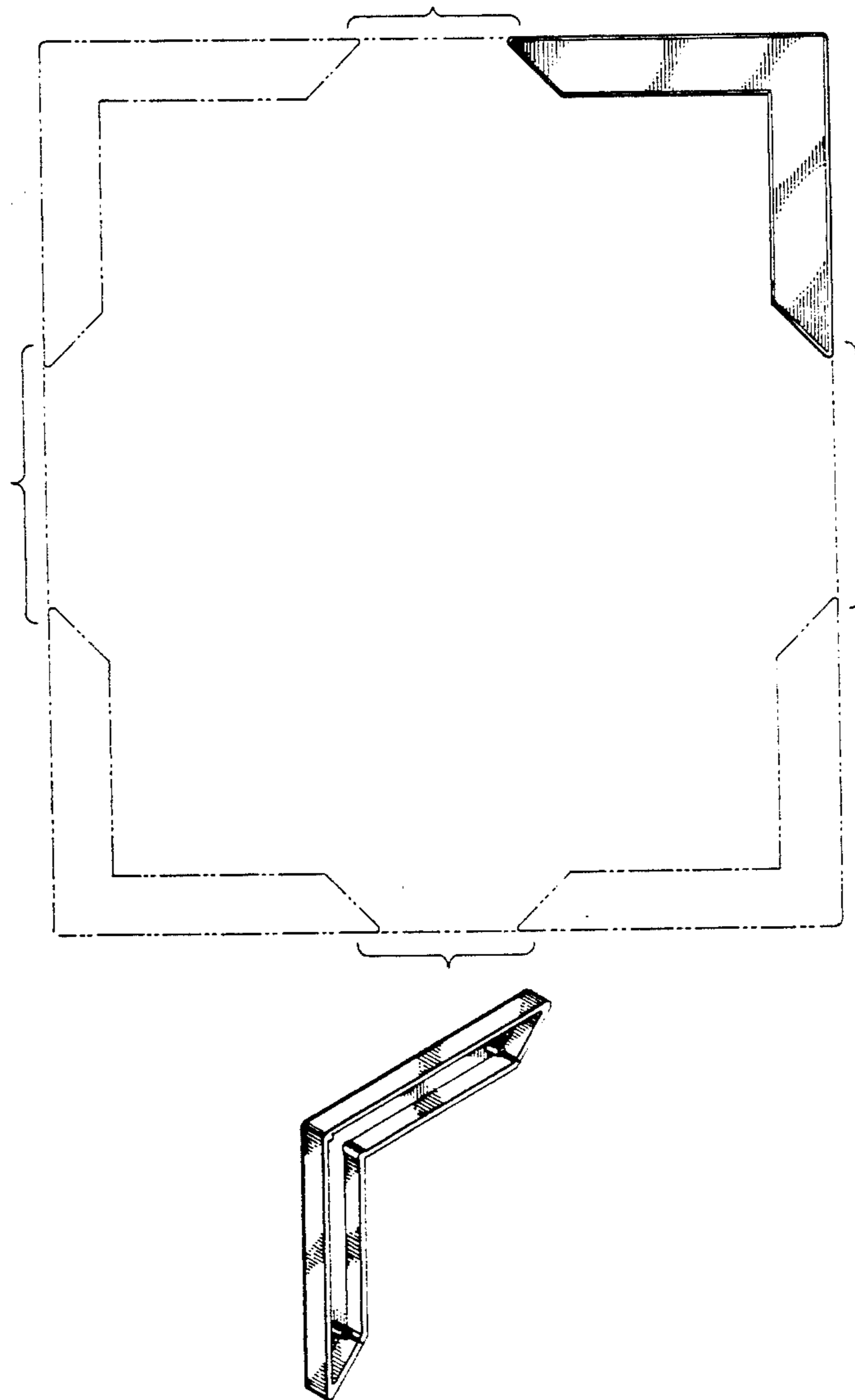
Primary Examiner—Nelson C. Holtje
Assistant Examiner—J. E. Seeger
Attorney, Agent, or Firm—Roger A. Marrs

[57] **CLAIM**

The ornamental design for frame corner, as shown.

DESCRIPTION

FIG. 1 is a front elevational view showing frame corner of my new design;
FIG. 2 is a rear perspective view of a frame corner;
FIG. 3 is a rear elevational view thereof;
FIG. 4 is a front elevational view thereof;
FIG. 5 is a right side elevational view thereof; and,
FIG. 6 is a left side elevational view thereof.



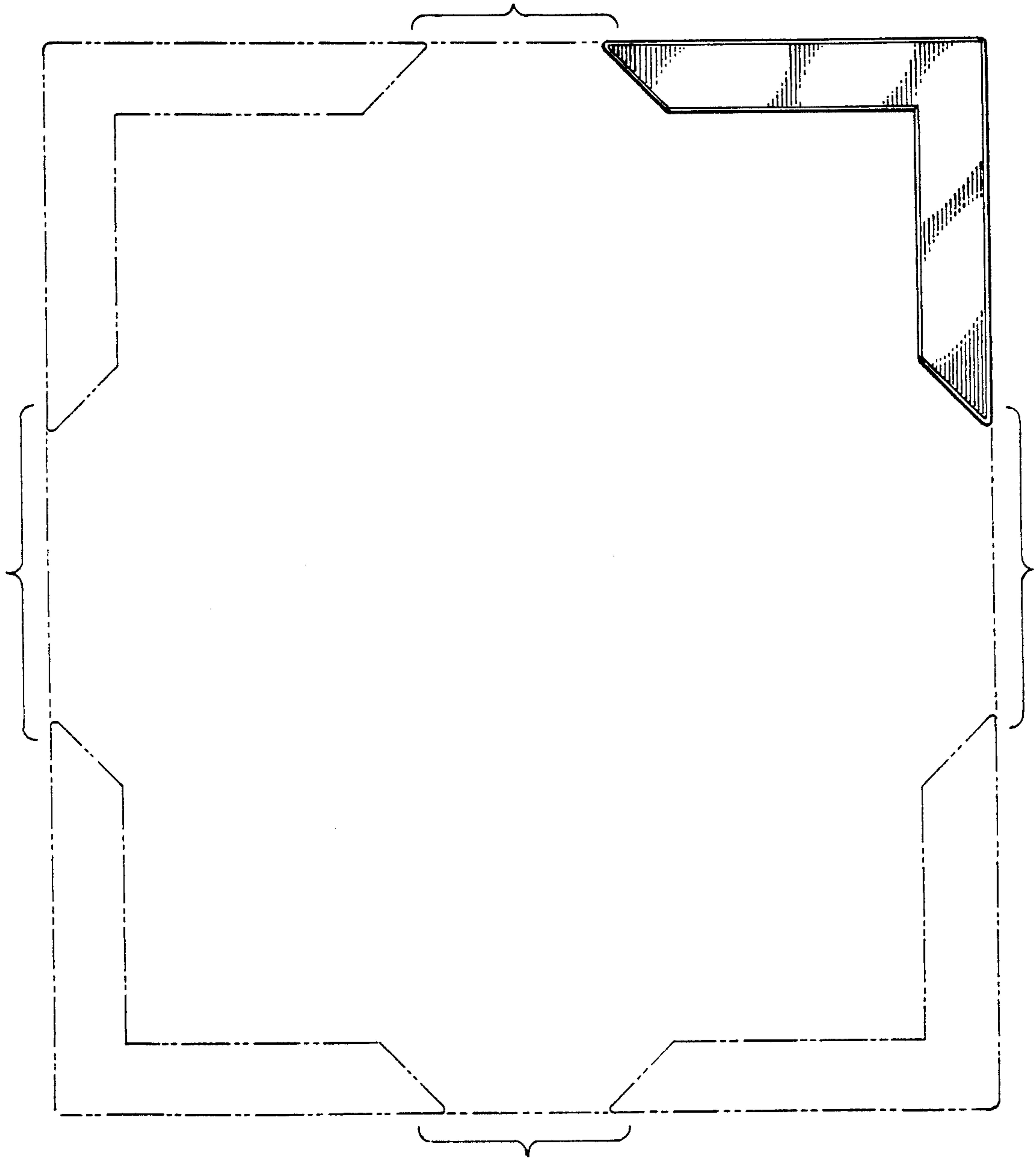


FIG.1.

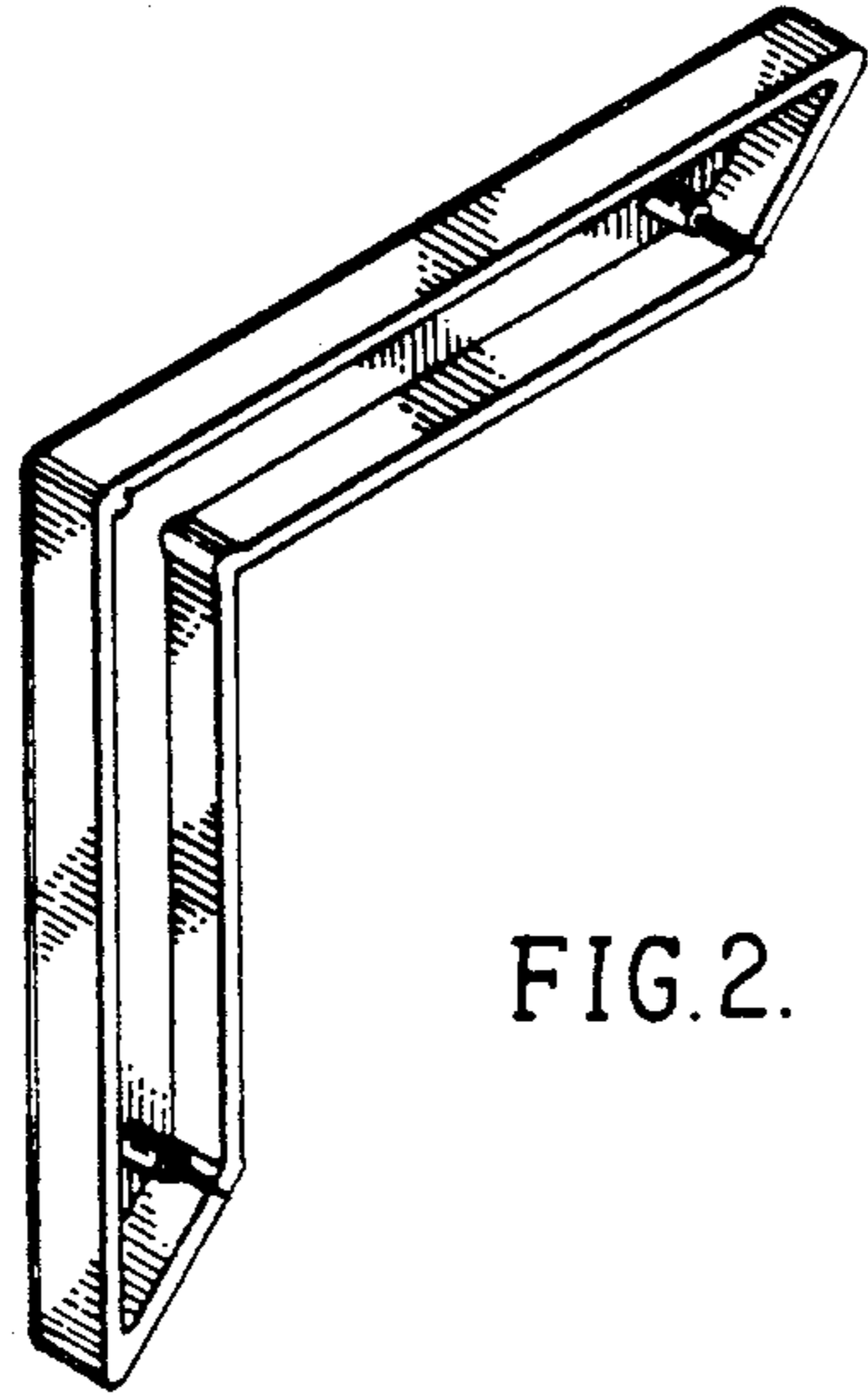


FIG. 2.

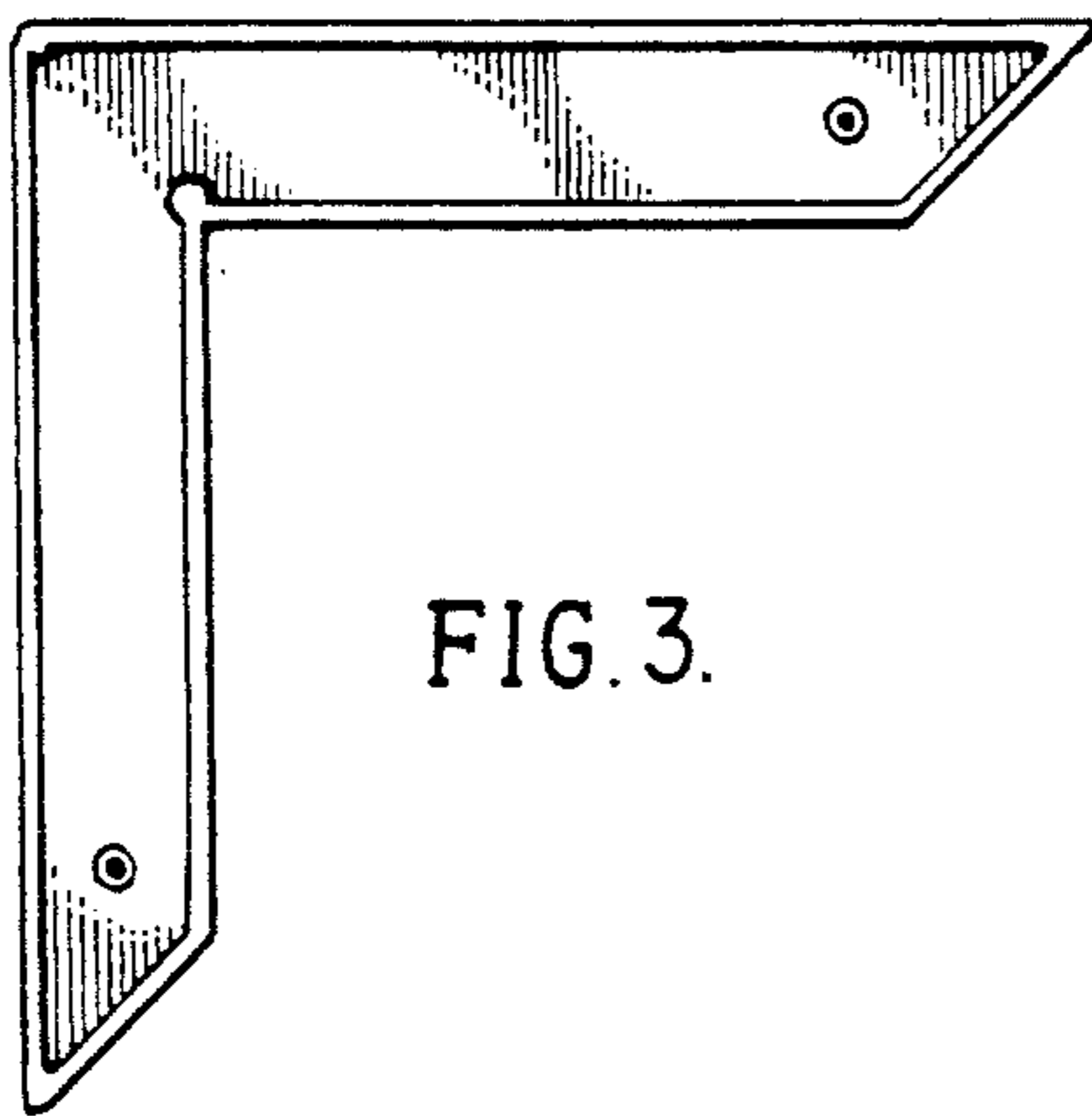


FIG. 3.

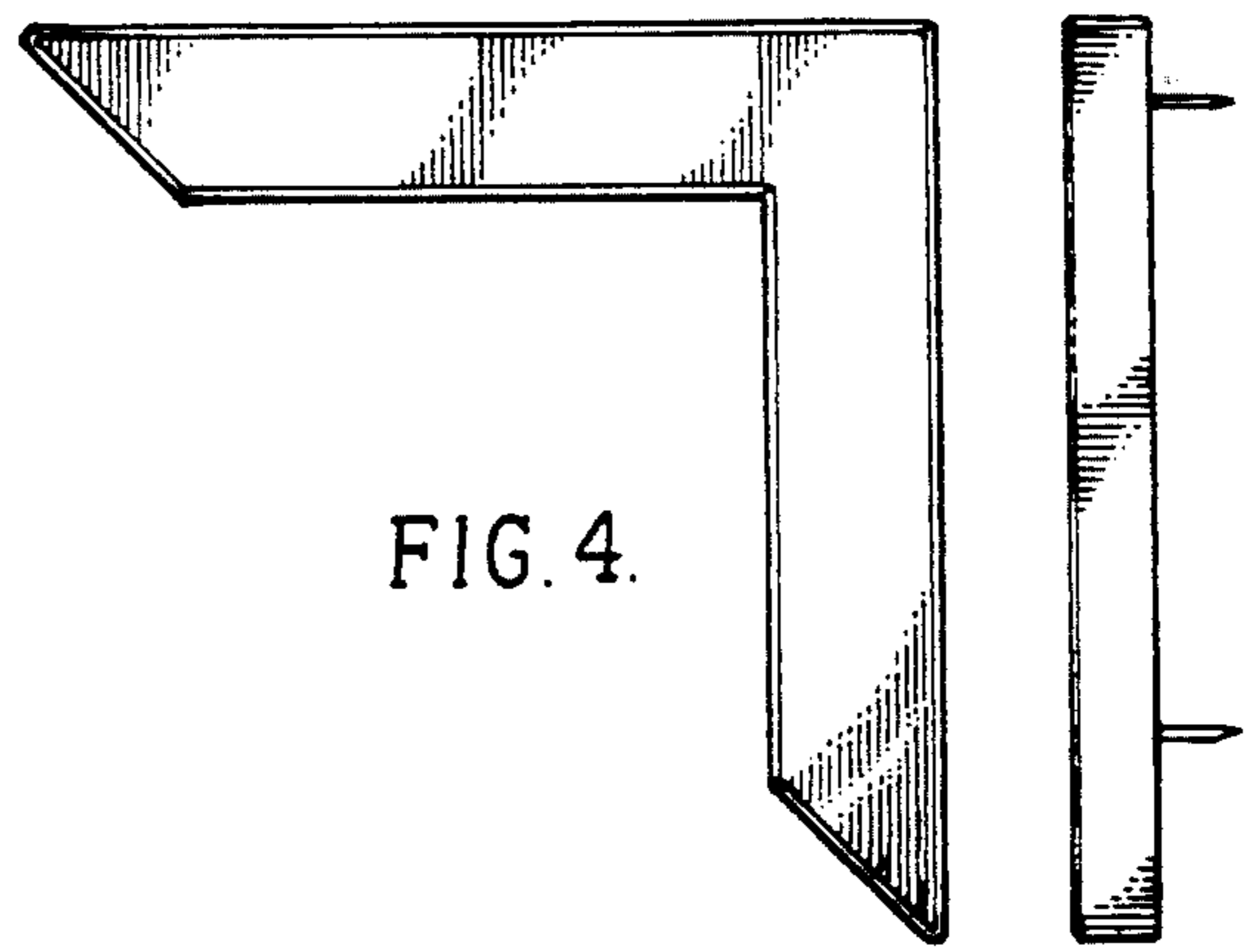


FIG. 4.

FIG. 5.

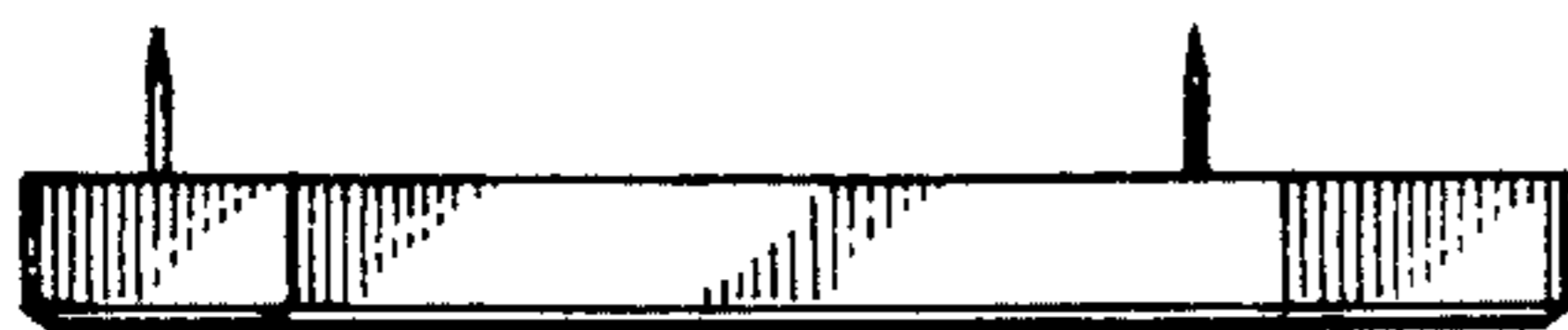


FIG. 6.