



US00D346275S

United States Patent [19]

[11] Patent Number: **Des. 346,275**

Hayasaka et al.

[45] Date of Patent: **** Apr. 26, 1994**

[54] **HOLDER FOR A PAGER RECEIVER**

D. 339,690 9/1993 Takahashi et al. D3/106
4,299,344 11/1981 Yamashita et al. 224/242

[75] Inventors: **Sigeki Hayasaka; Toshiaki Mizushima**, both of Tokyo, Japan

Primary Examiner—A. Hugo Word
Assistant Examiner—Doris V. Coles
Attorney, Agent, or Firm—Sughrue, Mion, Zinn, Macpeak & Seas

[73] Assignee: **NEC Corporation**, Tokyo, Japan

[*] Notice: The portion of the term of this patent subsequent to Sep. 28, 2007 has been disclaimed.

[57] **CLAIM**

The ornamental design for a holder for a pager receiver, as shown and described.

[**] Term: **14 Years**

DESCRIPTION

[21] Appl. No.: **879,316**

FIG. 1 is a front, top and left side perspective view of a holder for a pager receiver showing our new design; FIG. 2 is a front elevational view thereof; FIG. 3 is a rear elevational view thereof; FIG. 4 is a top plan view thereof; FIG. 5 is a bottom plan view thereof; FIG. 6 is a left side elevational view thereof; FIG. 7 is a right side elevational view thereof; and, FIG. 8 is a front, top and left side view thereof. The broken line showing of a pager in a FIG. 8 is for illustrative purposes only and forms no part of the claimed design.

[22] Filed: **May 7, 1992**

[30] **Foreign Application Priority Data**

Nov. 7, 1991 [JP] Japan 3-33458

[52] U.S. Cl. **D3/218**

[58] Field of Search D3/100, 105, 106; 224/252, 253, 242, 240, 236, 904; D14/251, 253

[56] **References Cited**

U.S. PATENT DOCUMENTS

D. 329,749 9/1992 Scheid D3/106

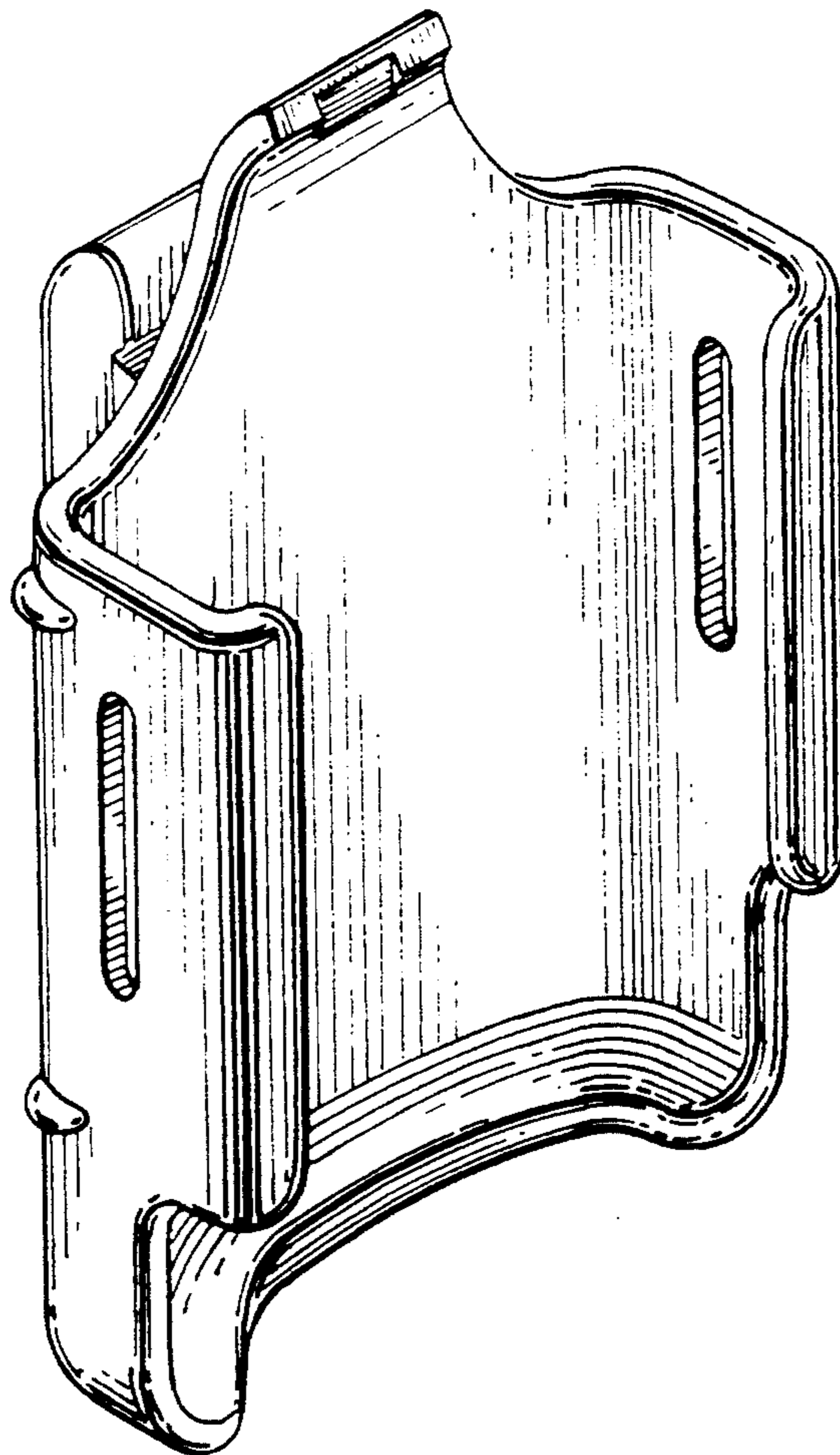


FIG. 1

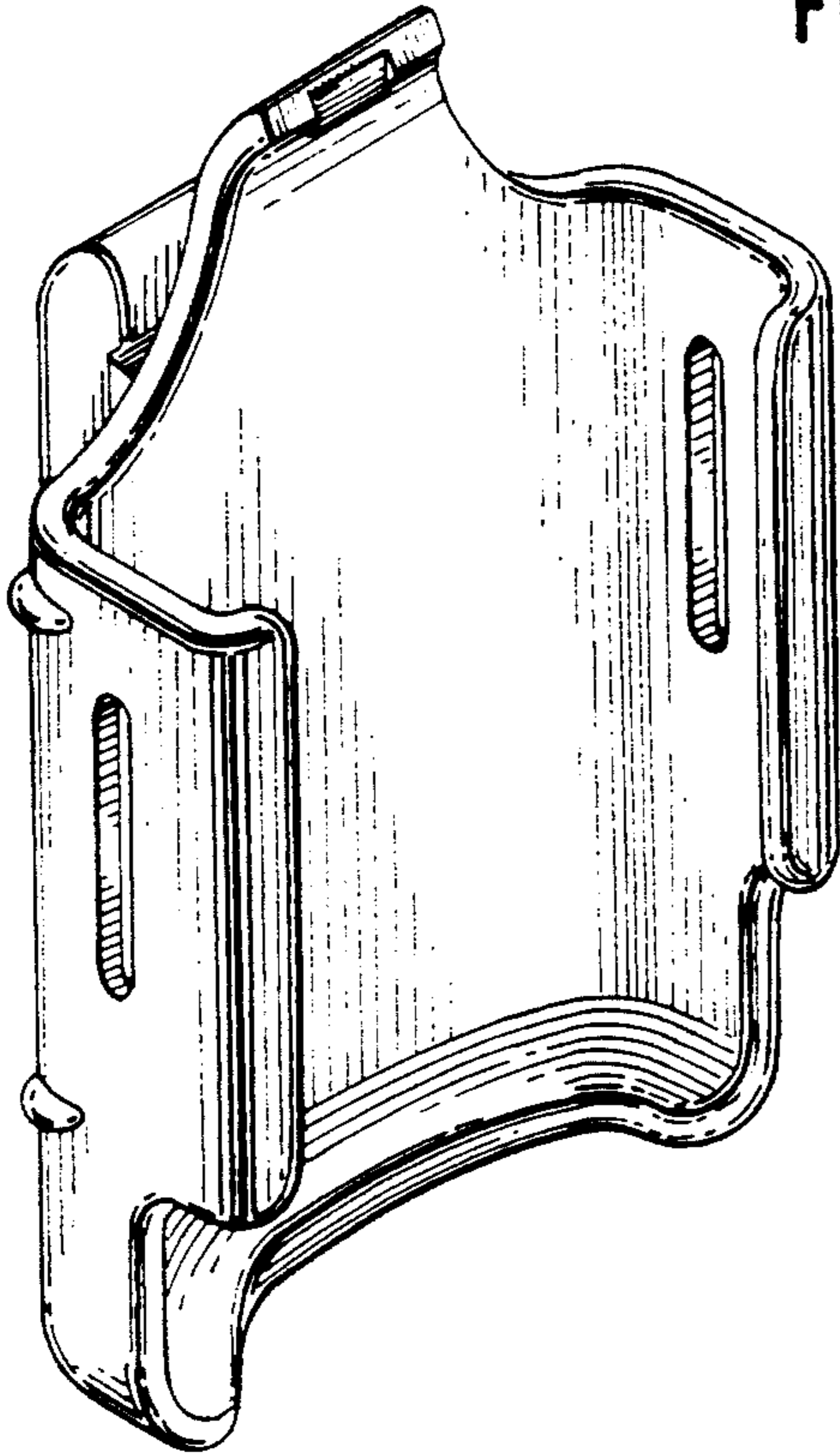


FIG. 2

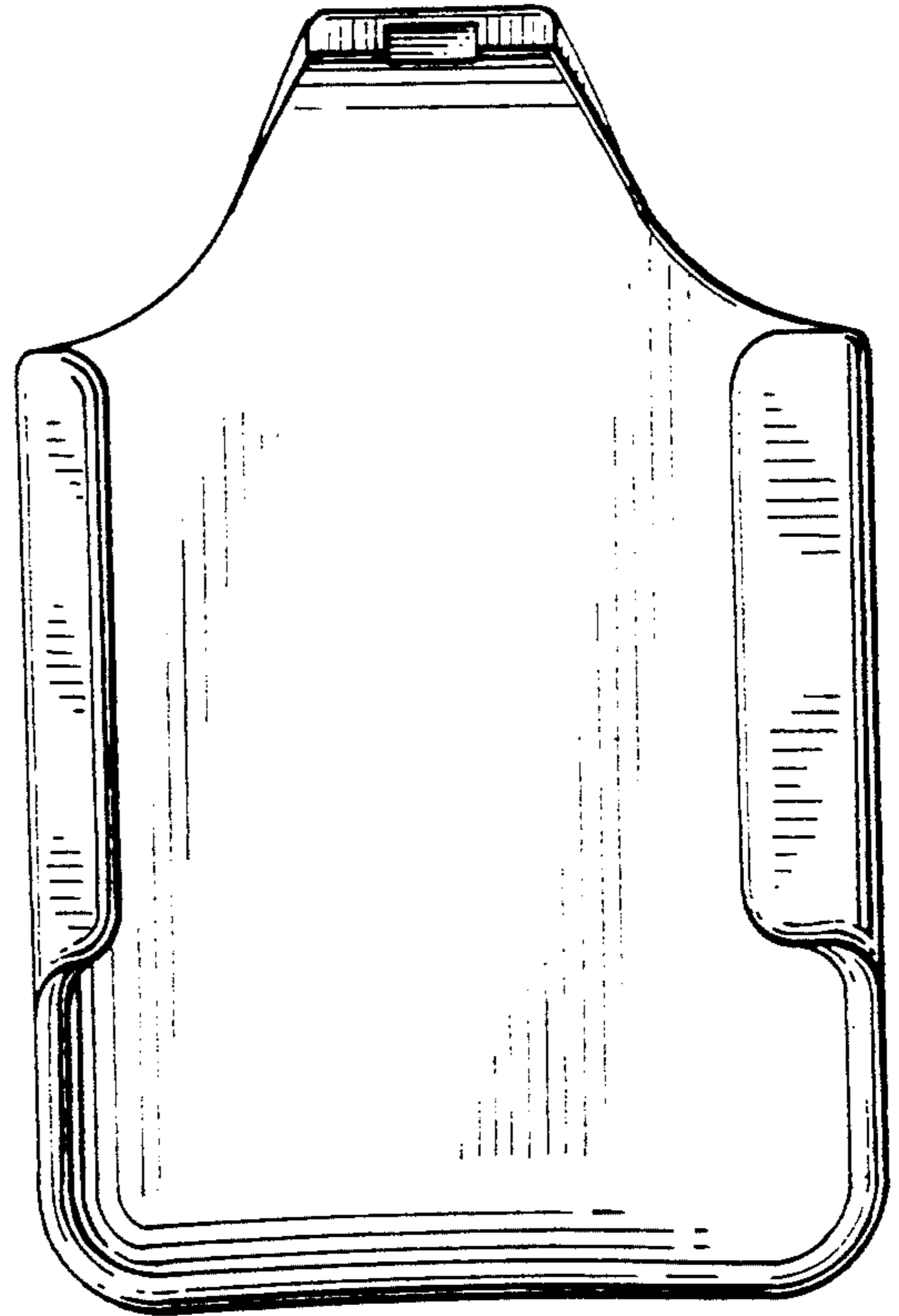


FIG. 3

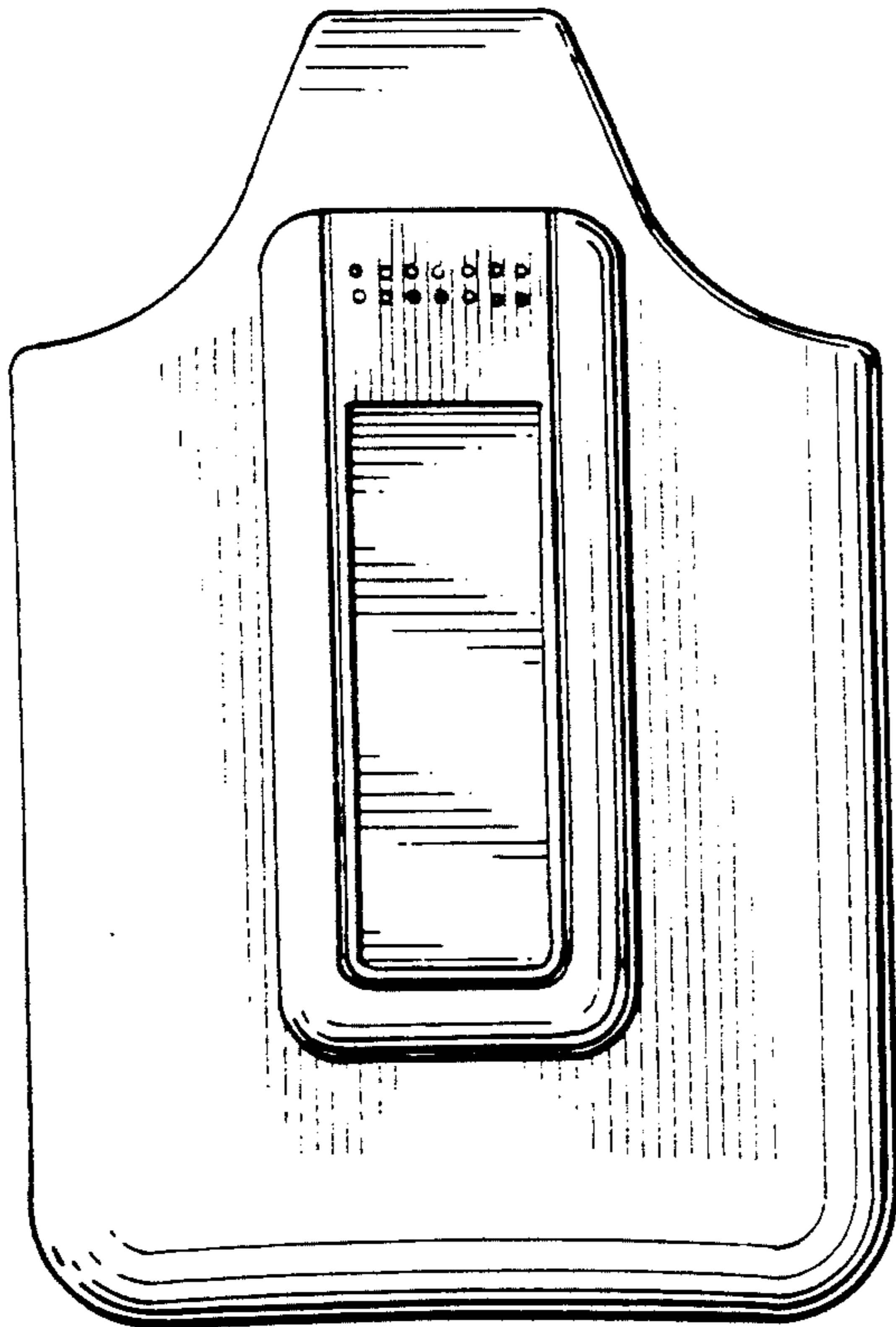


FIG. 4

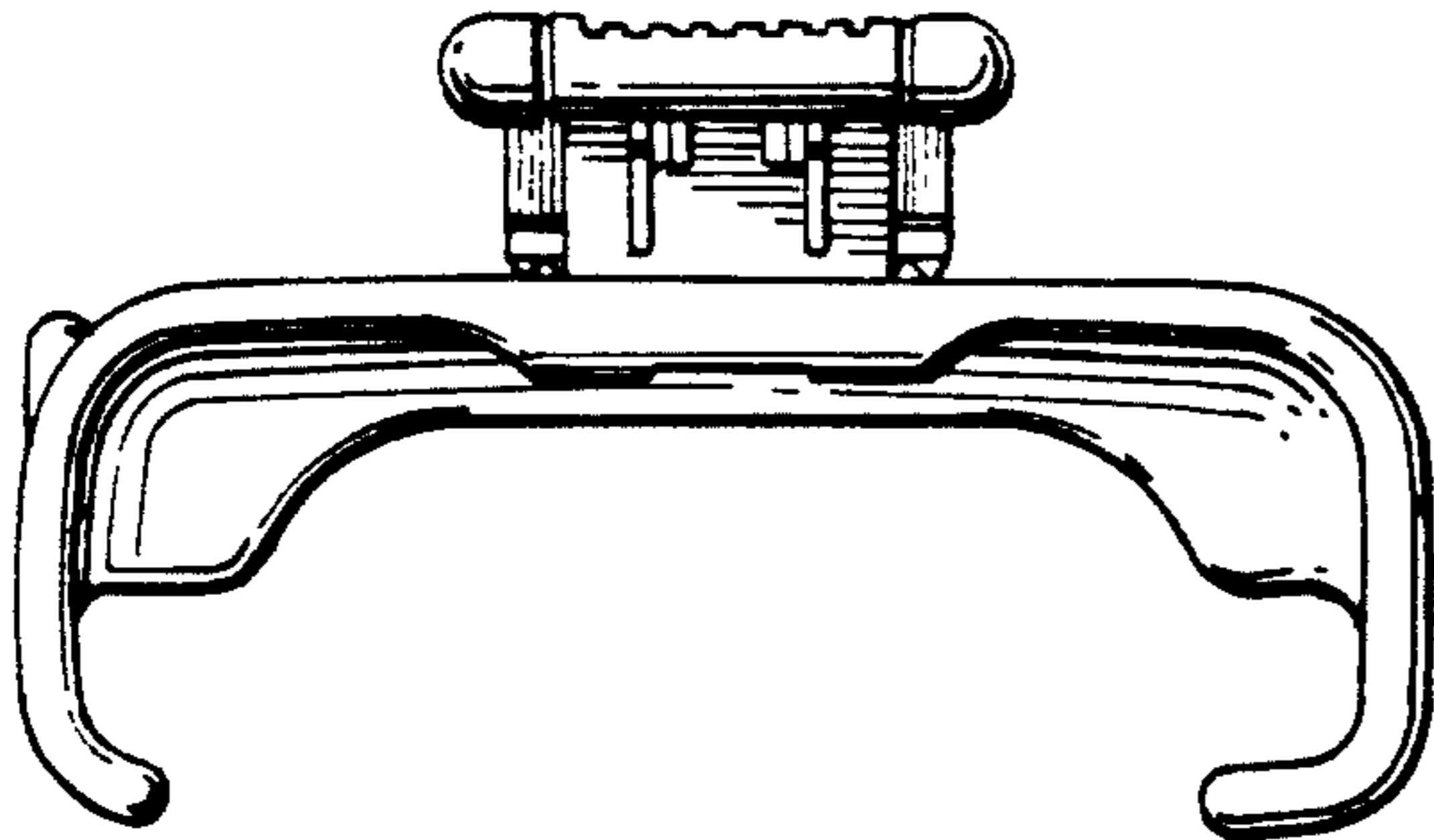


FIG. 5

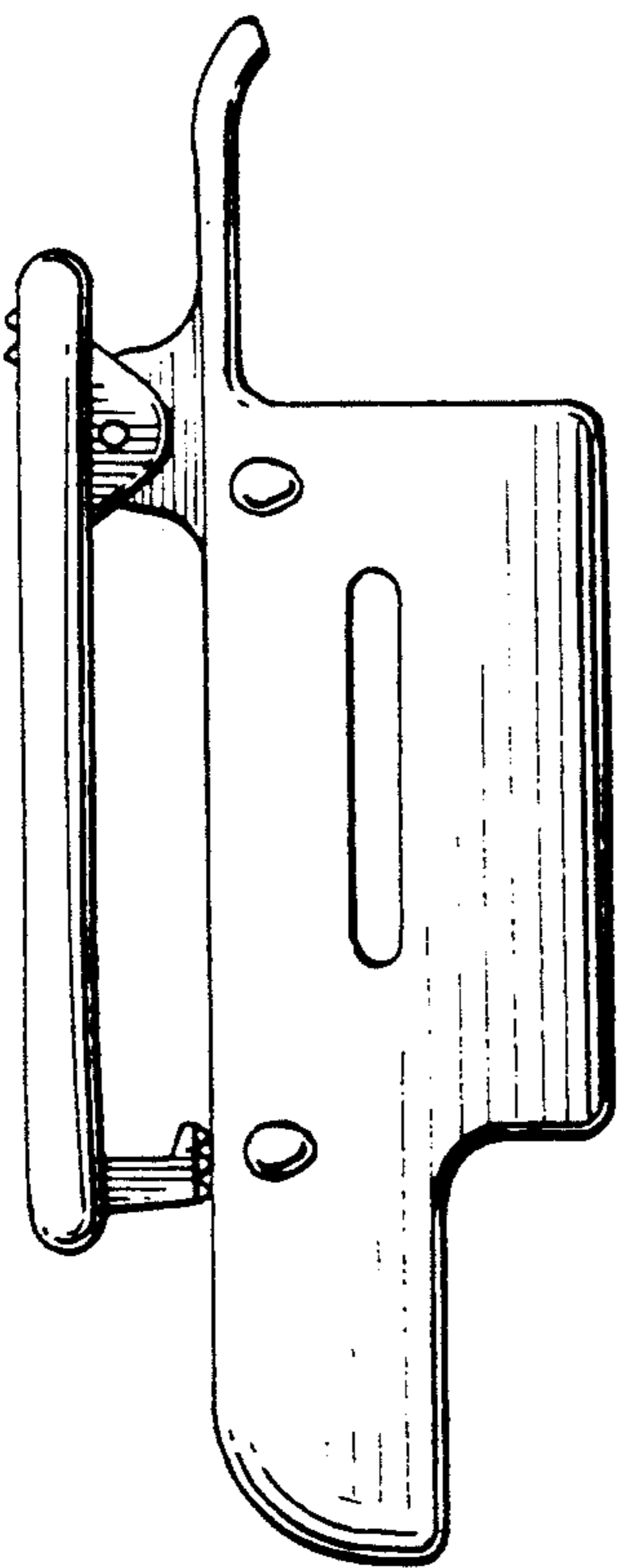
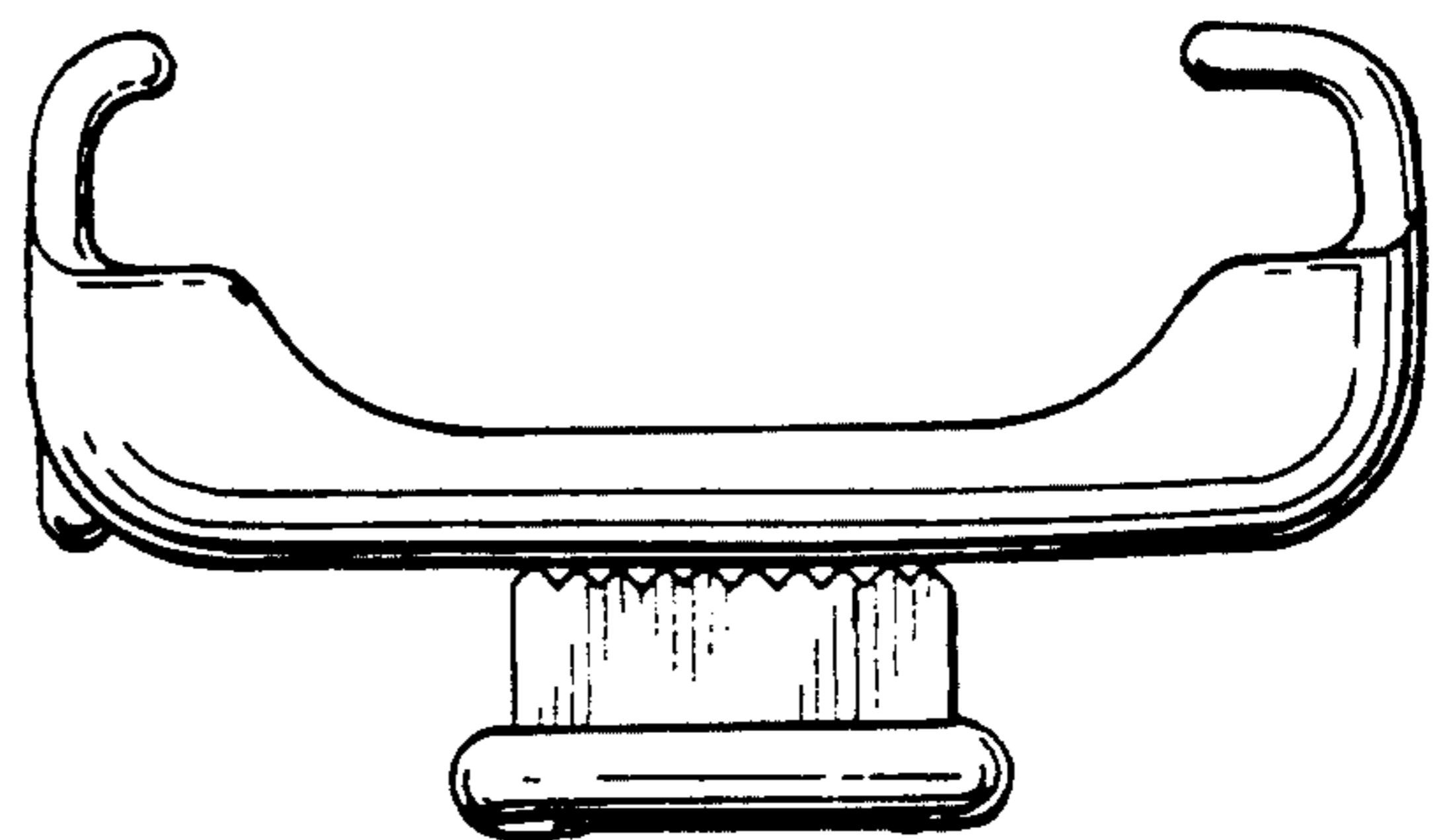


FIG. 6

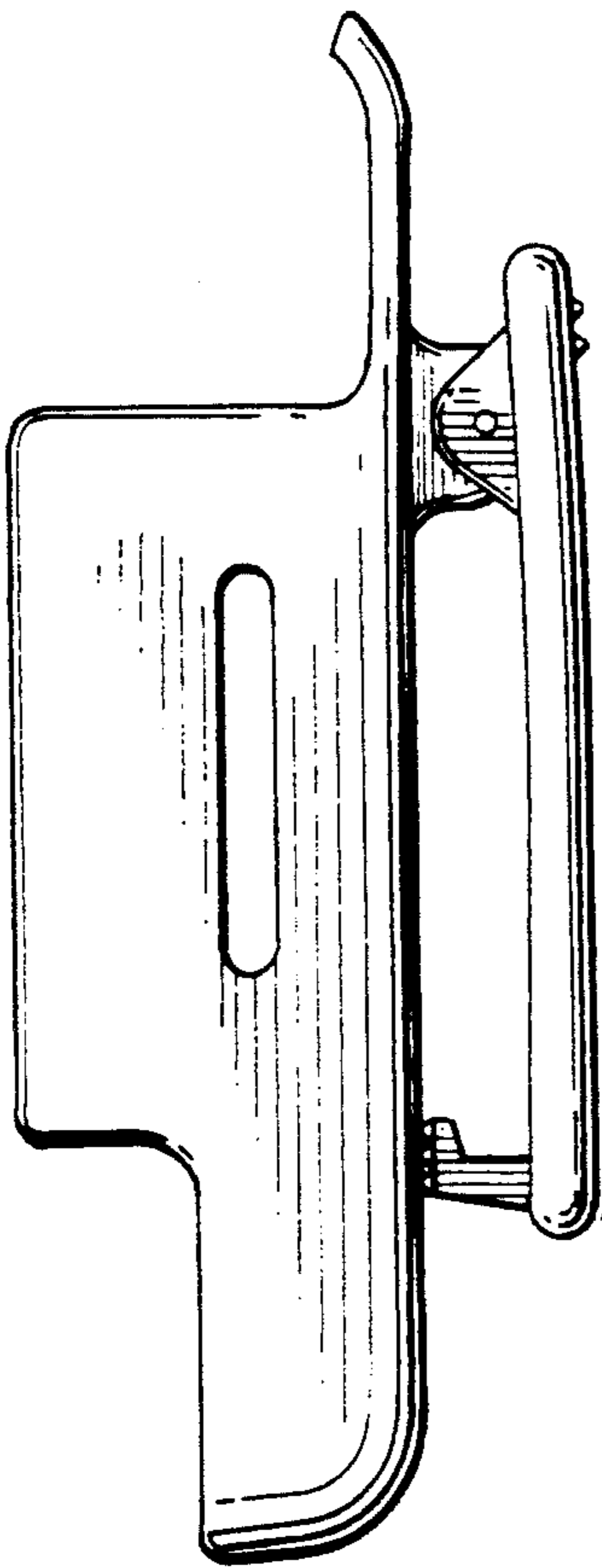


FIG. 7

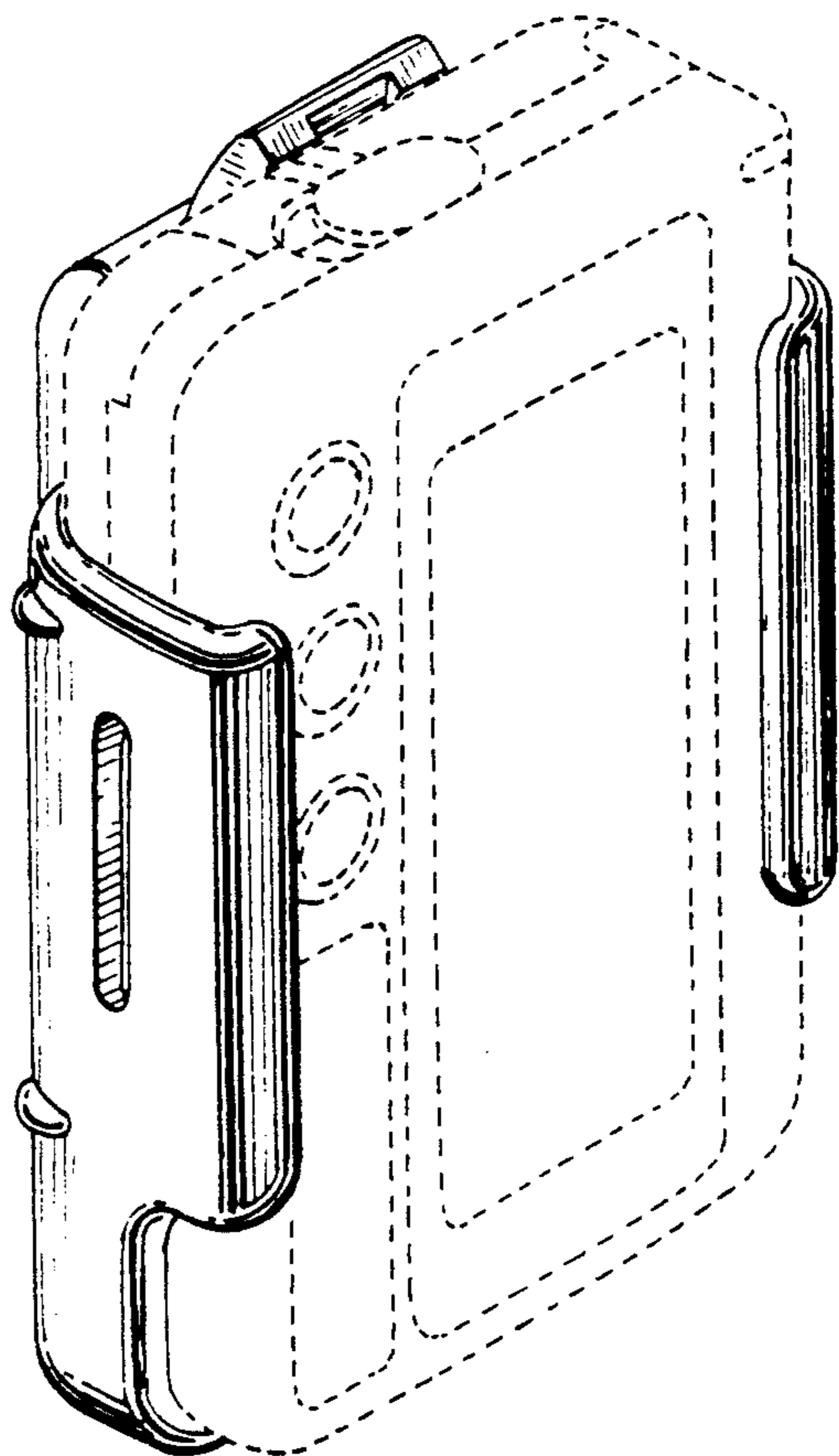


FIG. 8