



US00D346274S

United States Patent [19]

[11] Patent Number: **Des. 346,274**

Good

[45] Date of Patent: **** Apr. 26, 1994**

[54] **PORTABLE MOTORIZED SUITCASE**
 [75] Inventor: **Sidney R. Good**, Cleveland, Ohio
 [73] Assignee: **Good Marketing, Inc.**, Cleveland, Ohio
 [**] Term: **14 Years**
 [21] Appl. No.: **919,109**
 [22] Filed: **Jul. 22, 1992**
 [52] U.S. Cl. **D3/279**
 [58] Field of Search **D3/72, 76; 190/18 A, 190/18 R, 100, 102, 109, 110, 112, 115, 123, 125, 126, 127, 900, 901, 902; 180/208, 210; 280/37, 29**

4,561,526 12/1985 Winter et al. 190/115
 4,610,333 9/1986 Seynhaeve .
 4,838,396 6/1989 Krenzel 190/18 A
 4,913,252 4/1990 Bartley et al. .
 4,915,402 4/1990 Brinker .
 4,928,800 5/1990 Green et al. 190/18 A X
 4,928,800 5/1990 Green et al. .
 5,048,649 9/1991 Carpenter 190/18 A X
 5,097,922 3/1992 Stagi et al. .

Primary Examiner—Melvin B. Feifer
Assistant Examiner—Paula Mortimer
Attorney, Agent, or Firm—Pearne, Gordon, McCoy & Granger

[57] CLAIM

The ornamental design for a portable motorized suitcase, as shown and described.

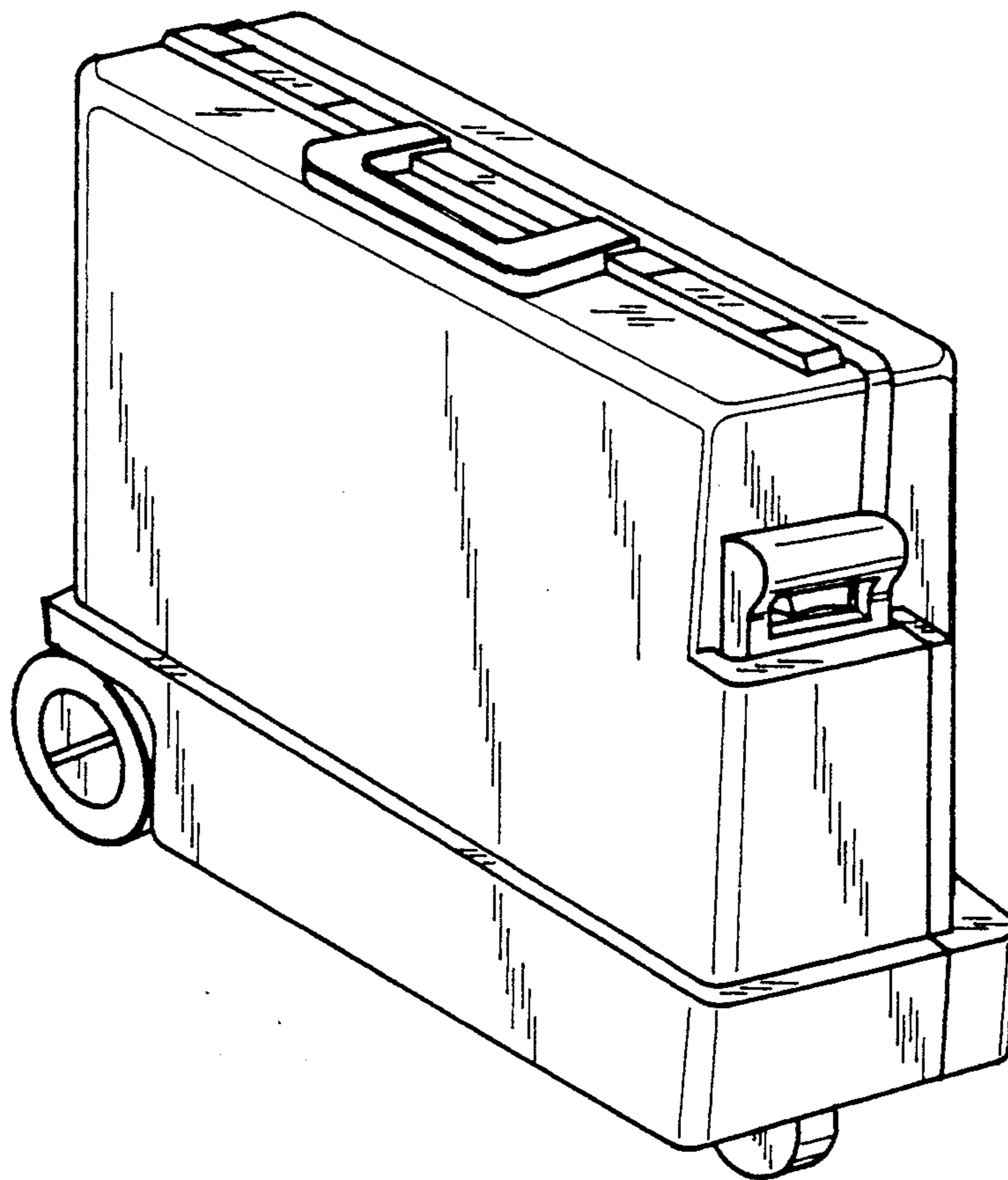
DESCRIPTION

FIG. 1 is a perspective view of a portable motorized suitcase showing my new design;
 FIG. 2 is a side elevation taken from the left of FIG. 1;
 FIG. 3 is a front elevation;
 FIG. 4 is a top plan view;
 FIG. 5 is a bottom plan view;
 FIG. 6 is a side elevation taken from the right of FIG. 1; and,
 FIG. 7 is an rear elevation.

[56] References Cited

U.S. PATENT DOCUMENTS

D. 331,661 12/1992 Roncato D3/72
 2,577,951 12/1951 Cortsen 280/37
 3,314,494 4/1967 Weitzner .
 3,316,993 5/1967 Weitzner .
 3,370,664 2/1968 Caplan .
 3,413,011 11/1968 Weitzner 280/37
 3,948,365 4/1976 Gregg et al. 190/18 A
 4,094,374 6/1978 Adams .
 4,113,042 9/1978 Vaill .
 4,544,050 10/1985 Seynhaeve 190/18 A X



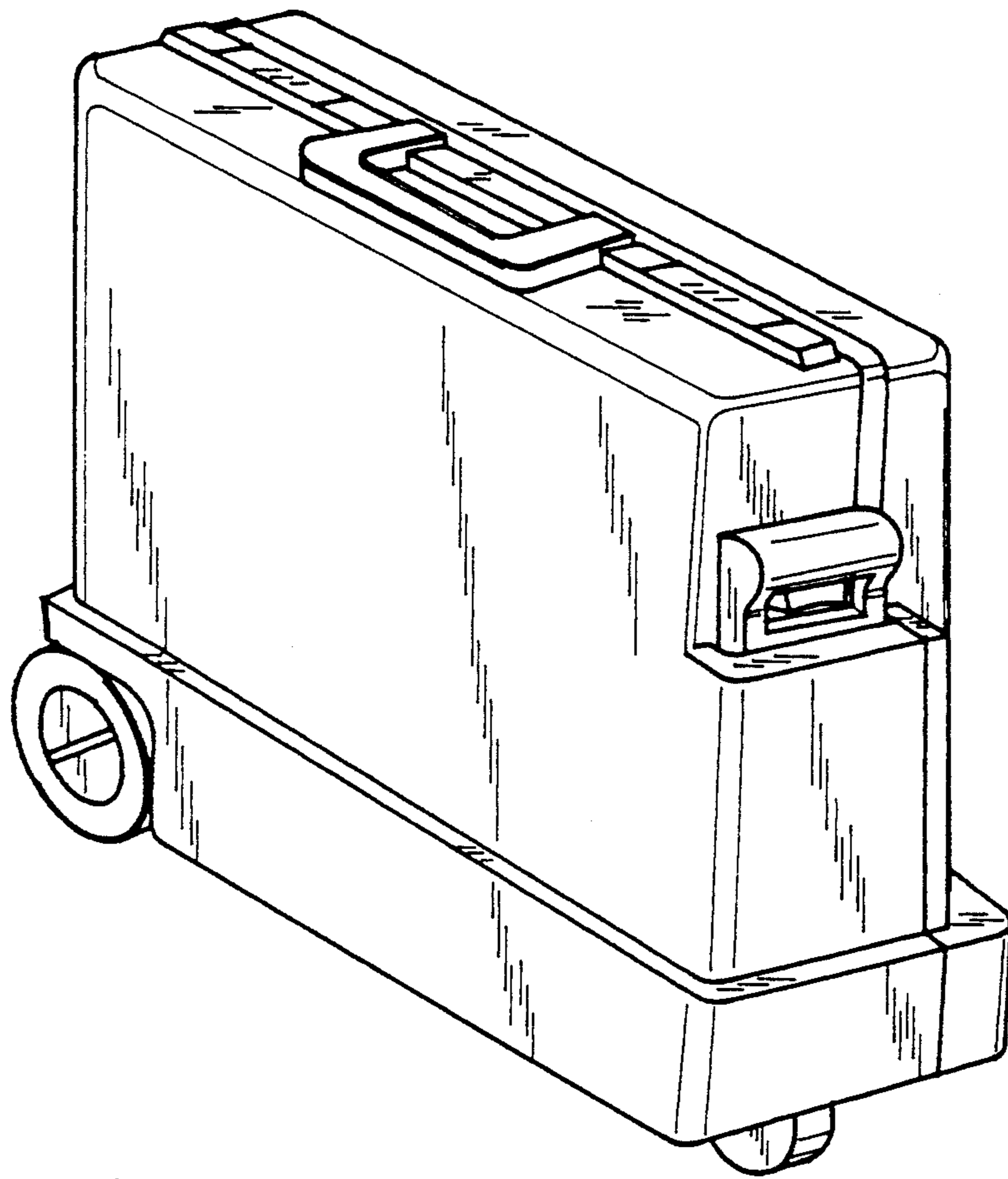


Fig. 1

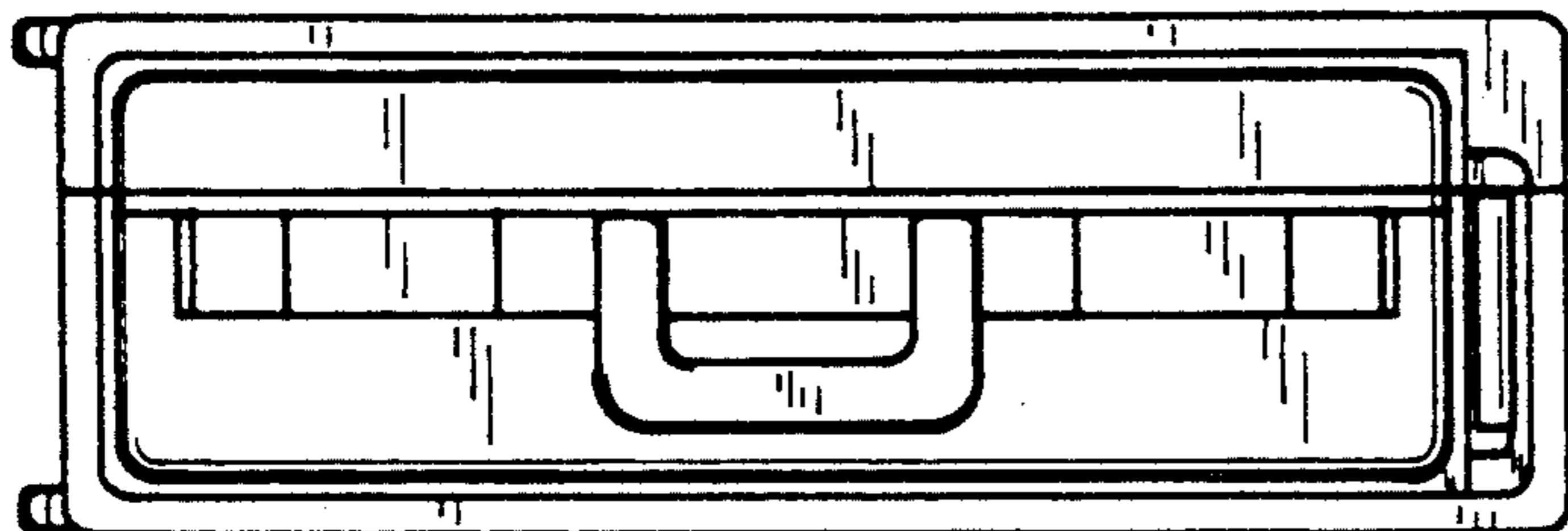


Fig. 4

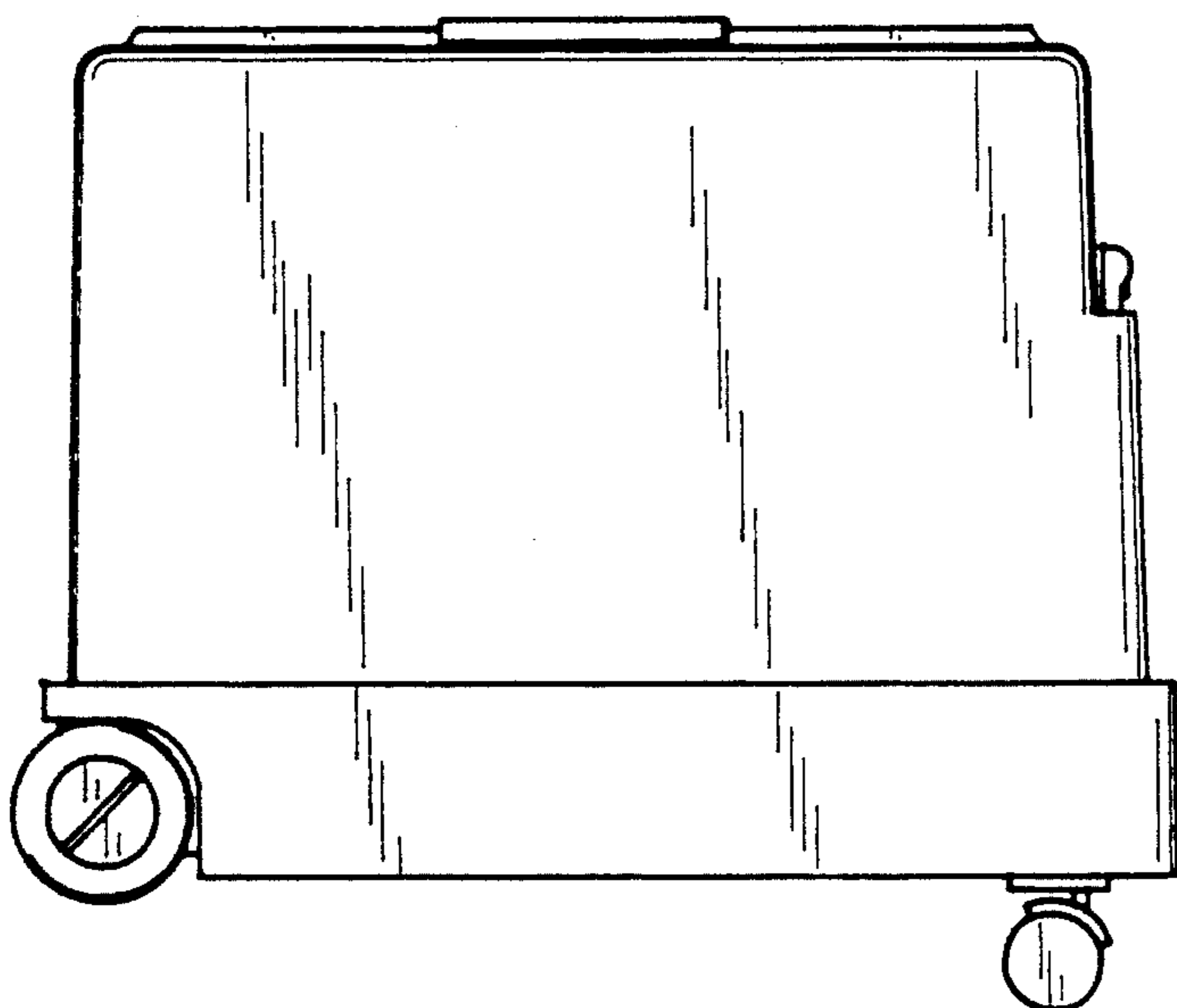


Fig. 2

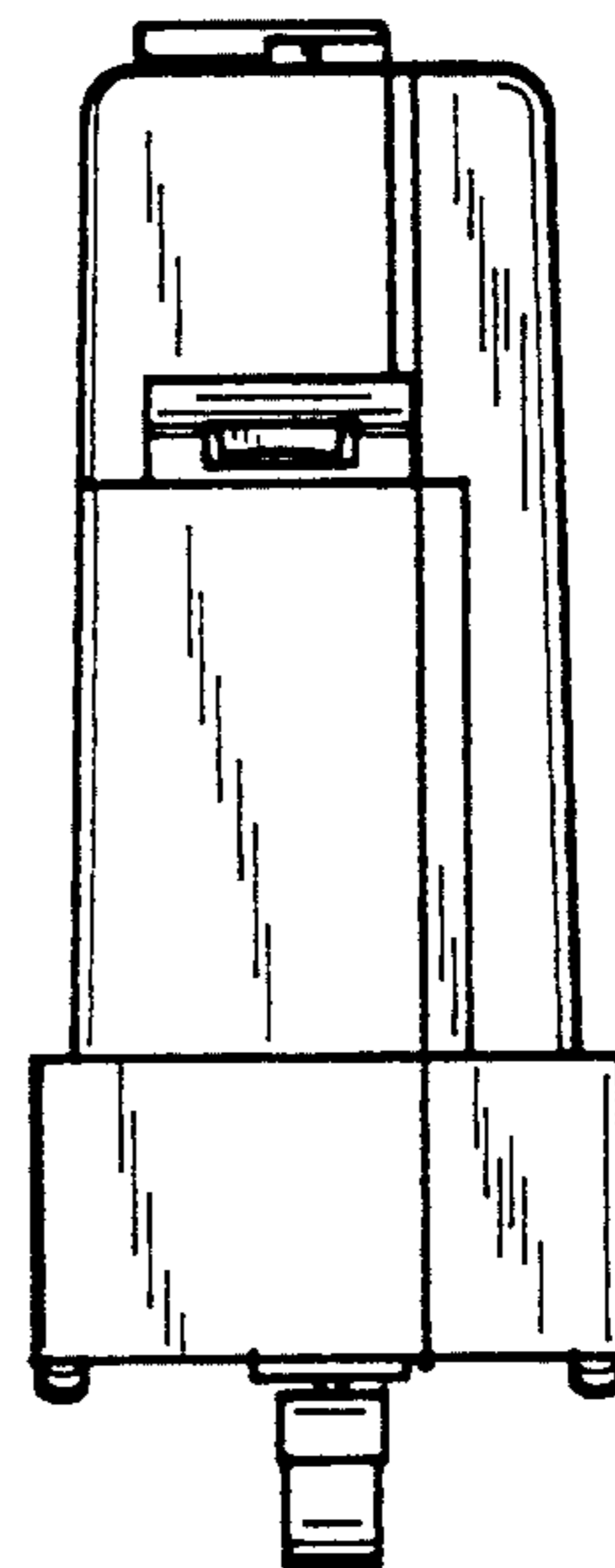


Fig. 3

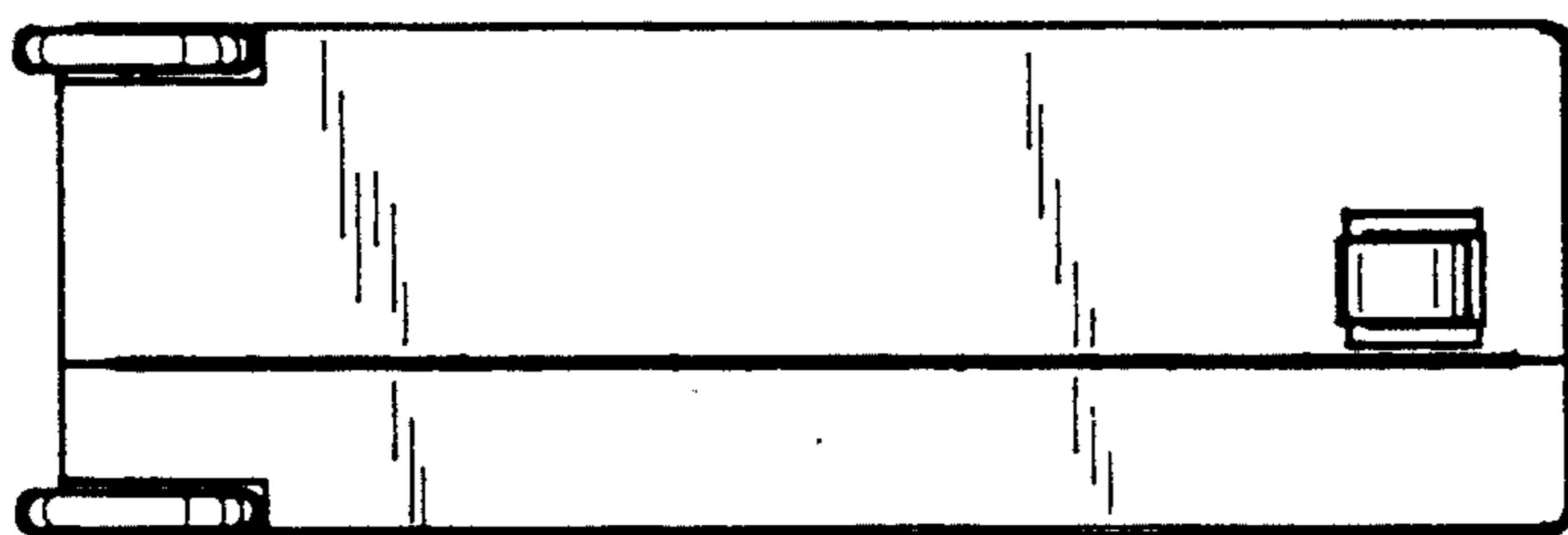


Fig. 5

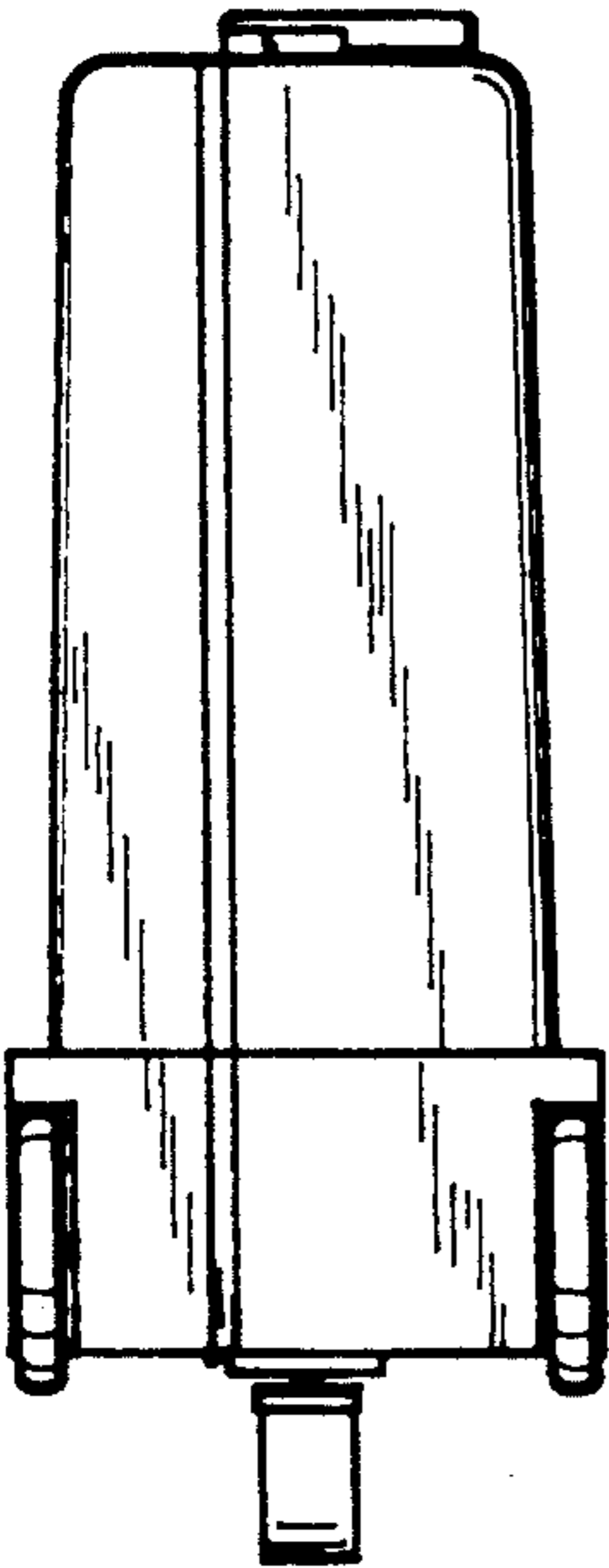


Fig. 7

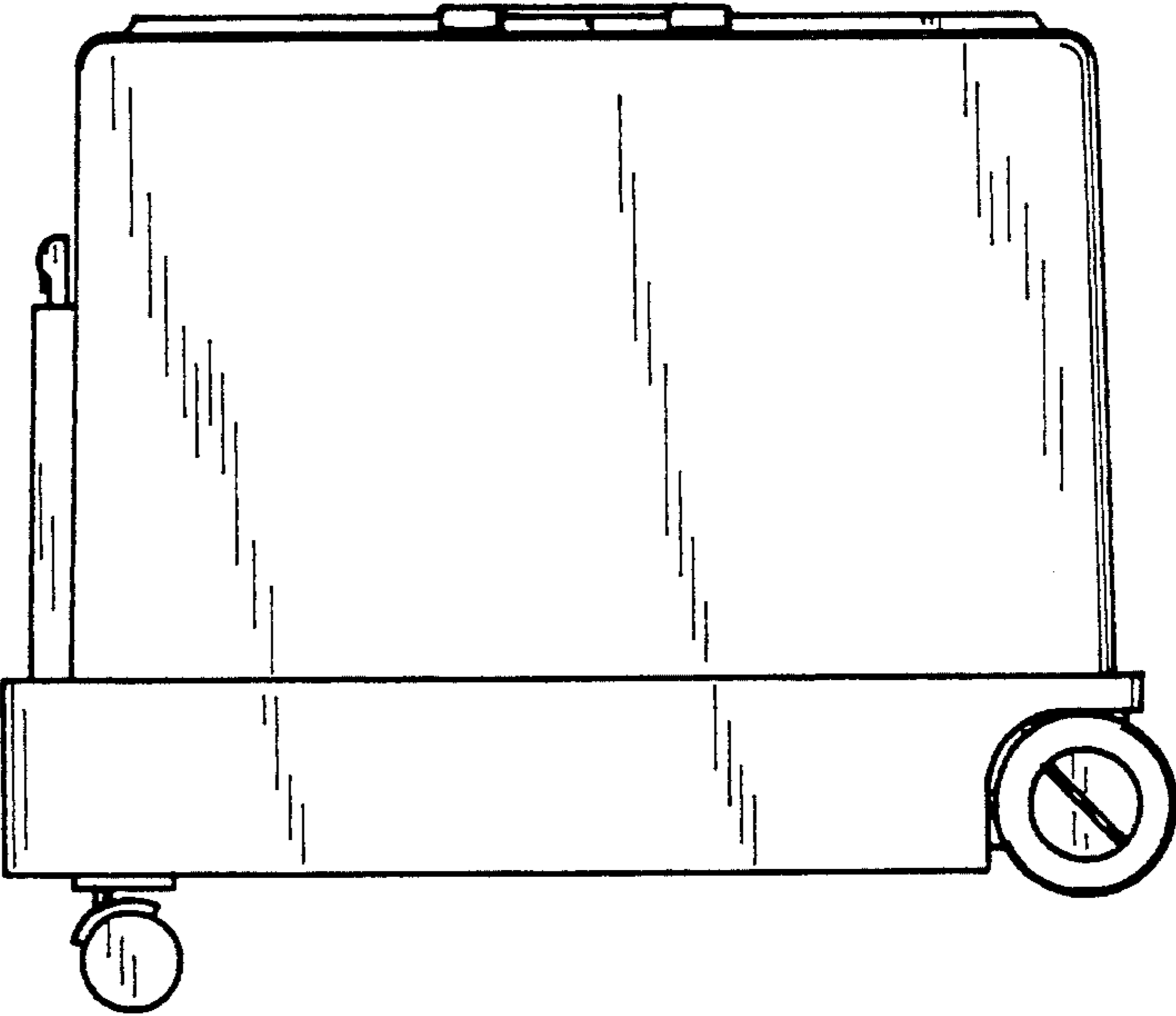


Fig. 6