



US00D346268S

United States Patent [19]

[11] Patent Number: **Des. 346,268**

Loranger

[45] Date of Patent: **** Apr. 26, 1994**

[54] **BIB**

[76] Inventor: **Gary F. Loranger**, 15150 Pleasant Dr., Rockwood, Mich. 48173

[**] Term: **14 Years**

[21] Appl. No.: **948,831**

[22] Filed: **Sep. 17, 1992**

[52] U.S. Cl. **D2/864; D2/861**

[58] Field of Search **D2/226, 227, 228, 229, D2/225, 244; 2/49 R, 48, 49 A, 51, 50**

2,892,909 6/1959 Darnutzer et al. 2/50
 4,933,998 6/1990 Arnet D2/225

Primary Examiner—A. Hugo Word
Assistant Examiner—Celia A. Murphy
Attorney, Agent, or Firm—Joseph J. Goluban

[57] CLAIM

The ornamental design for the bib, as shown and described.

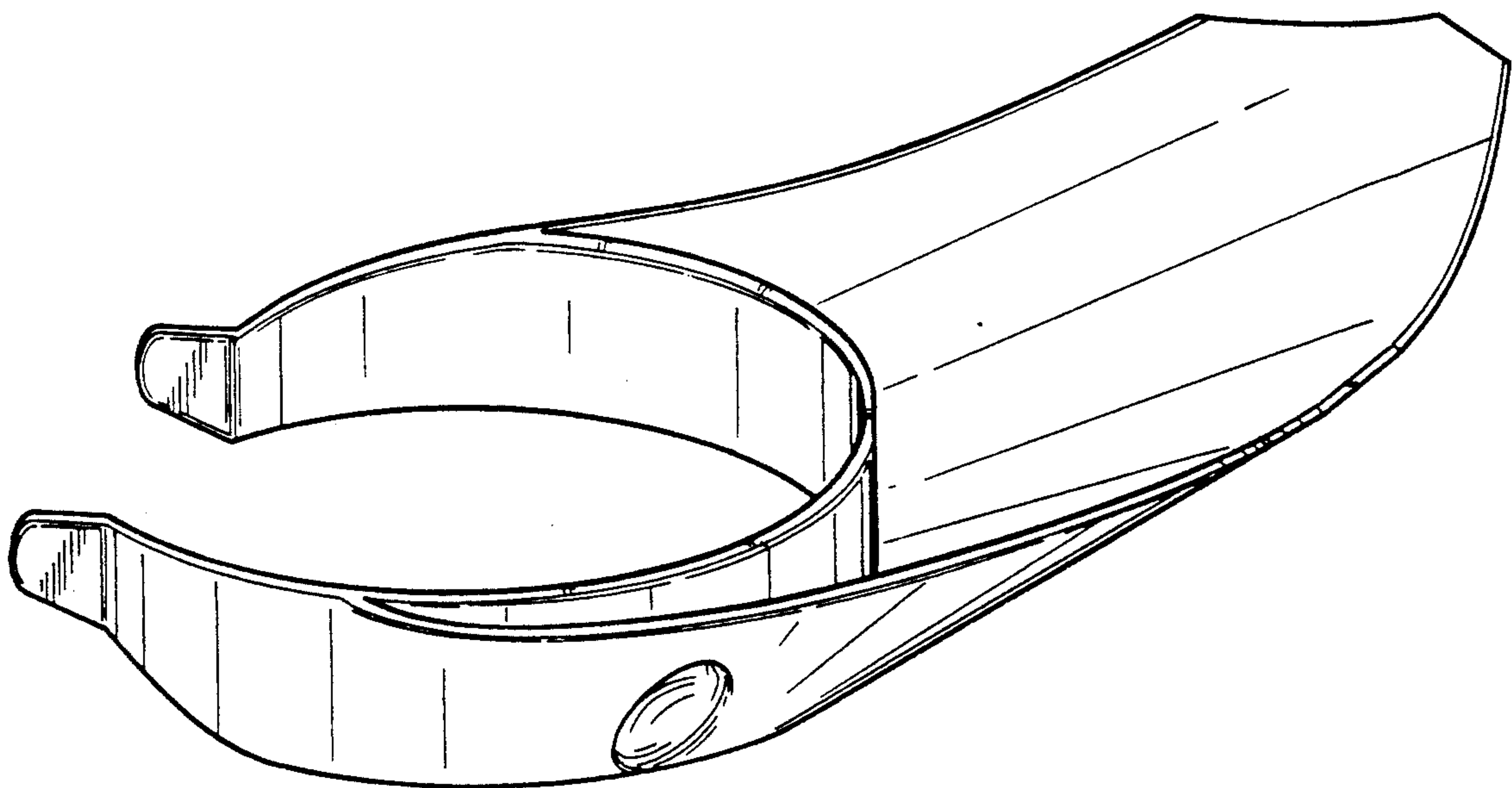
DESCRIPTION

FIG. 1 is a perspective view of a bib showing my new design;
 FIG. 2 is a left side elevational view thereof;
 FIG. 3 is a front elevational view thereof;
 FIG. 4 is a rear elevational view thereof;
 FIG. 5 is a top plan view thereof; and,
 FIG. 6 is a bottom plan view thereof.

[56] **References Cited**

U.S. PATENT DOCUMENTS

D. 206,191	11/1966	Lawrence	D2/244
D. 313,883	1/1991	Fleming	D2/226
1,690,927	11/1928	Dickerson	2/49 A
2,243,505	5/1941	Mercer	2/50



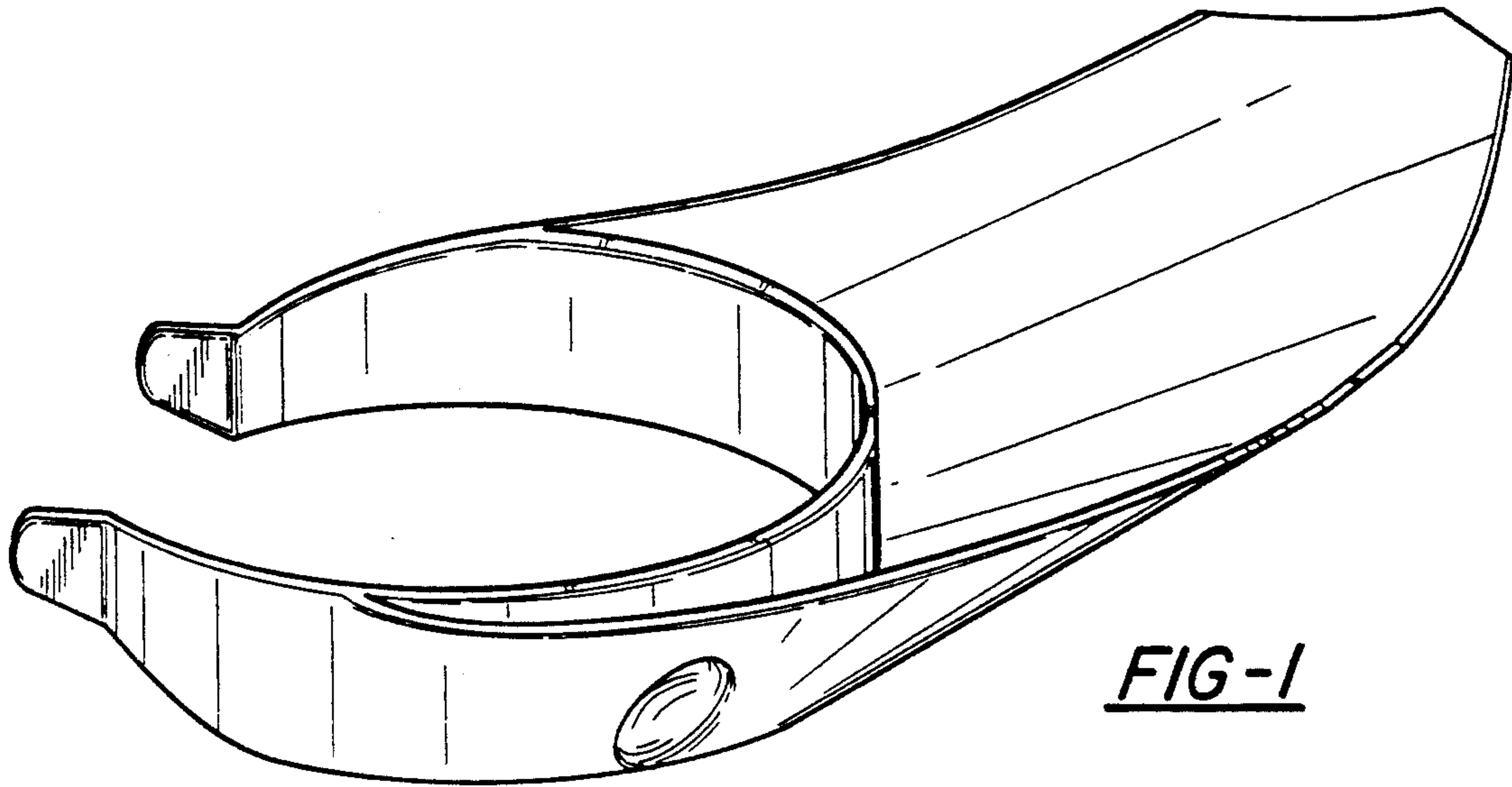


FIG-1

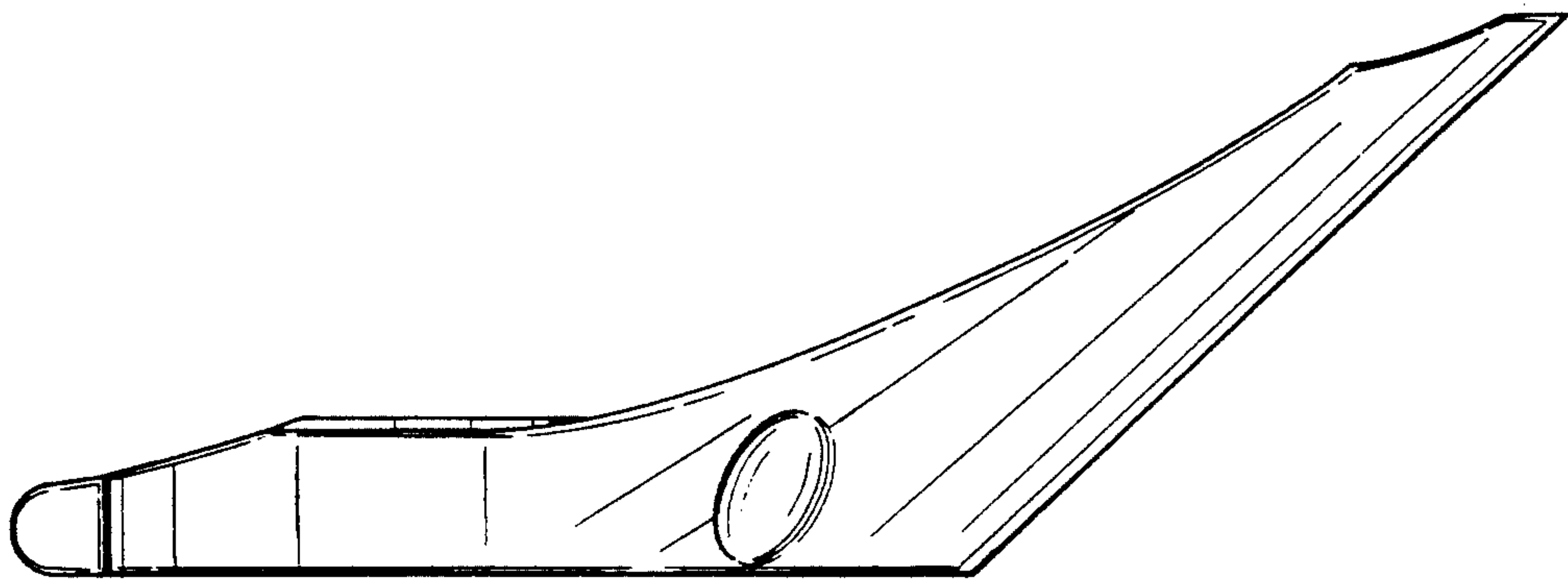


FIG-2

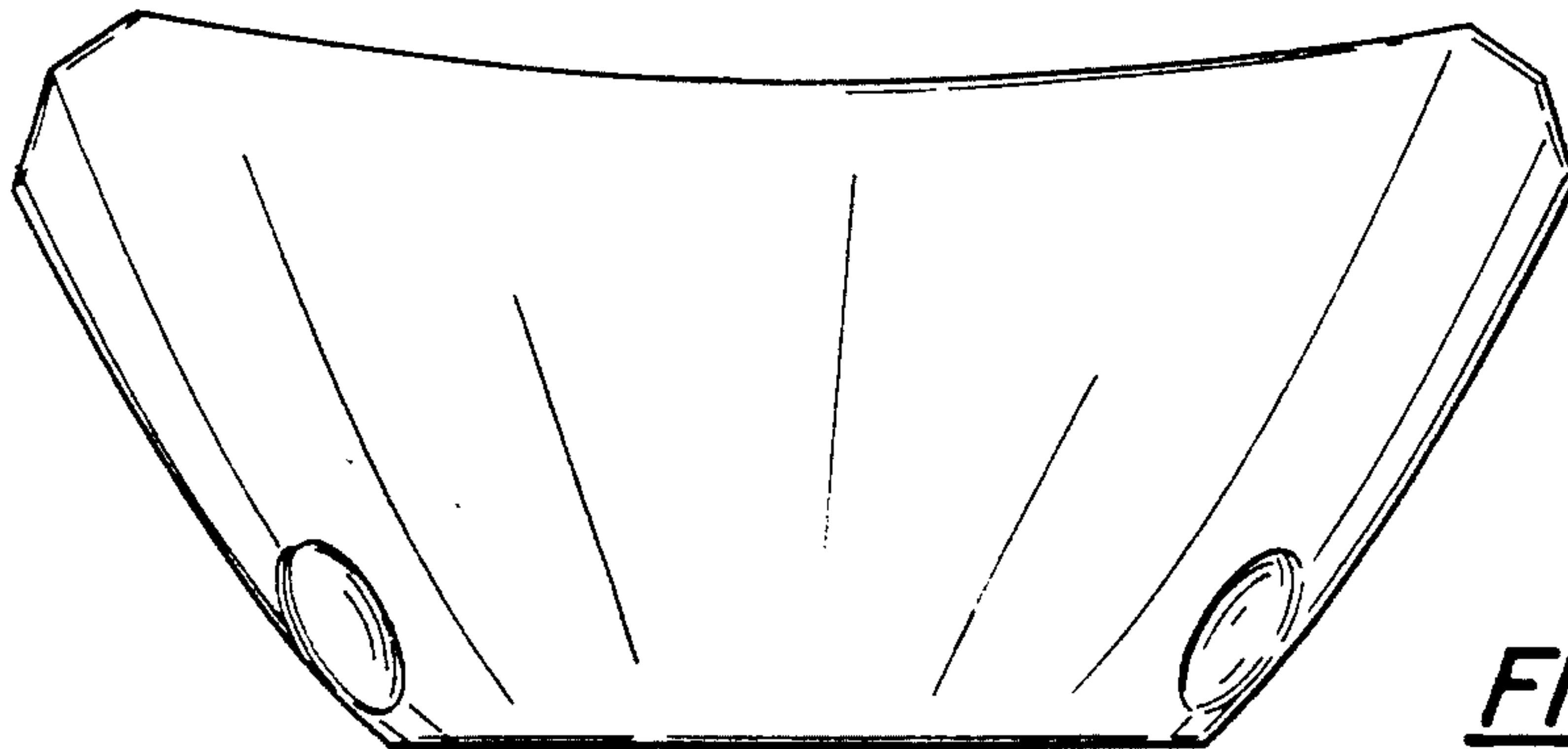


FIG-3

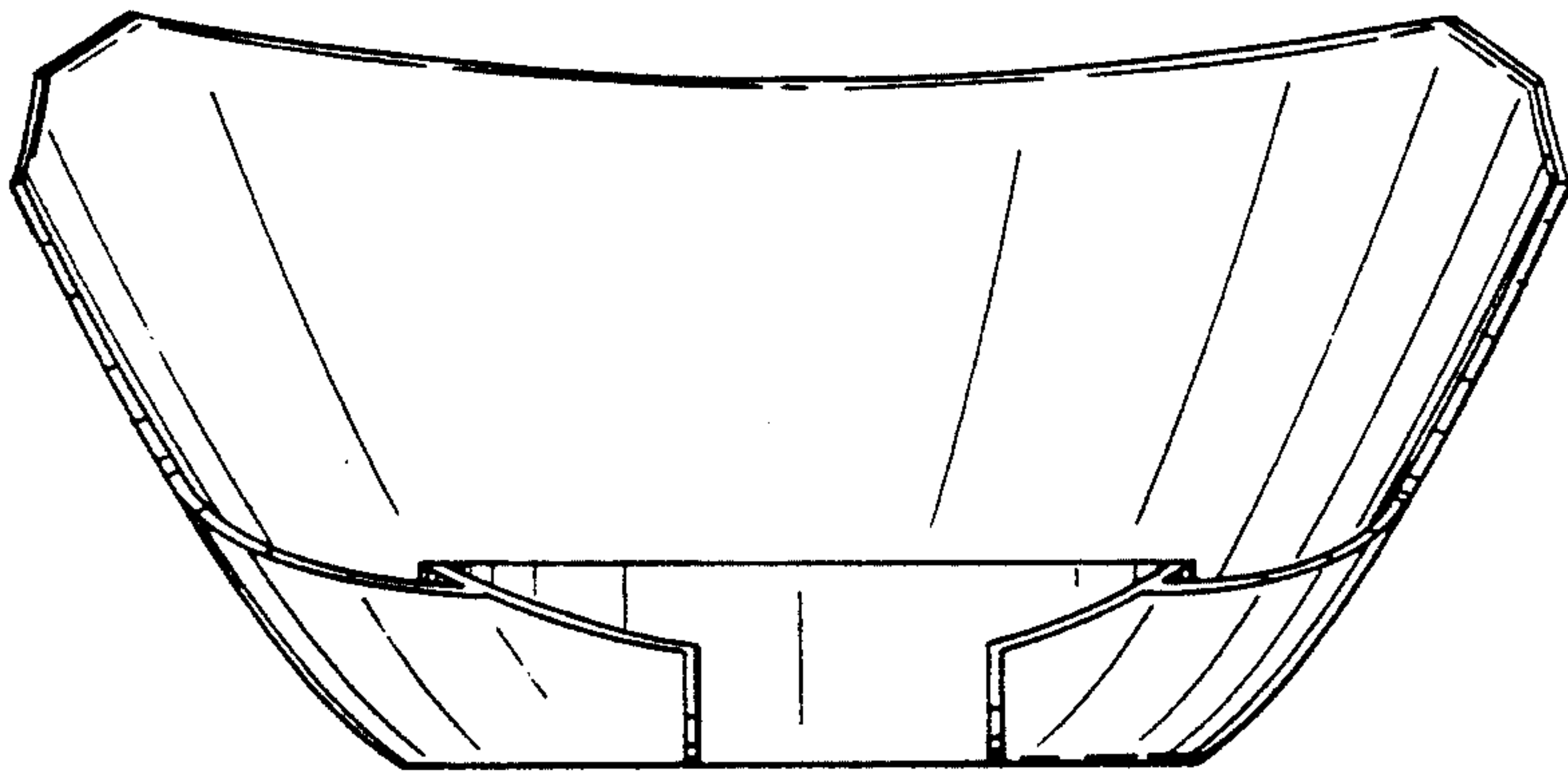


FIG-4

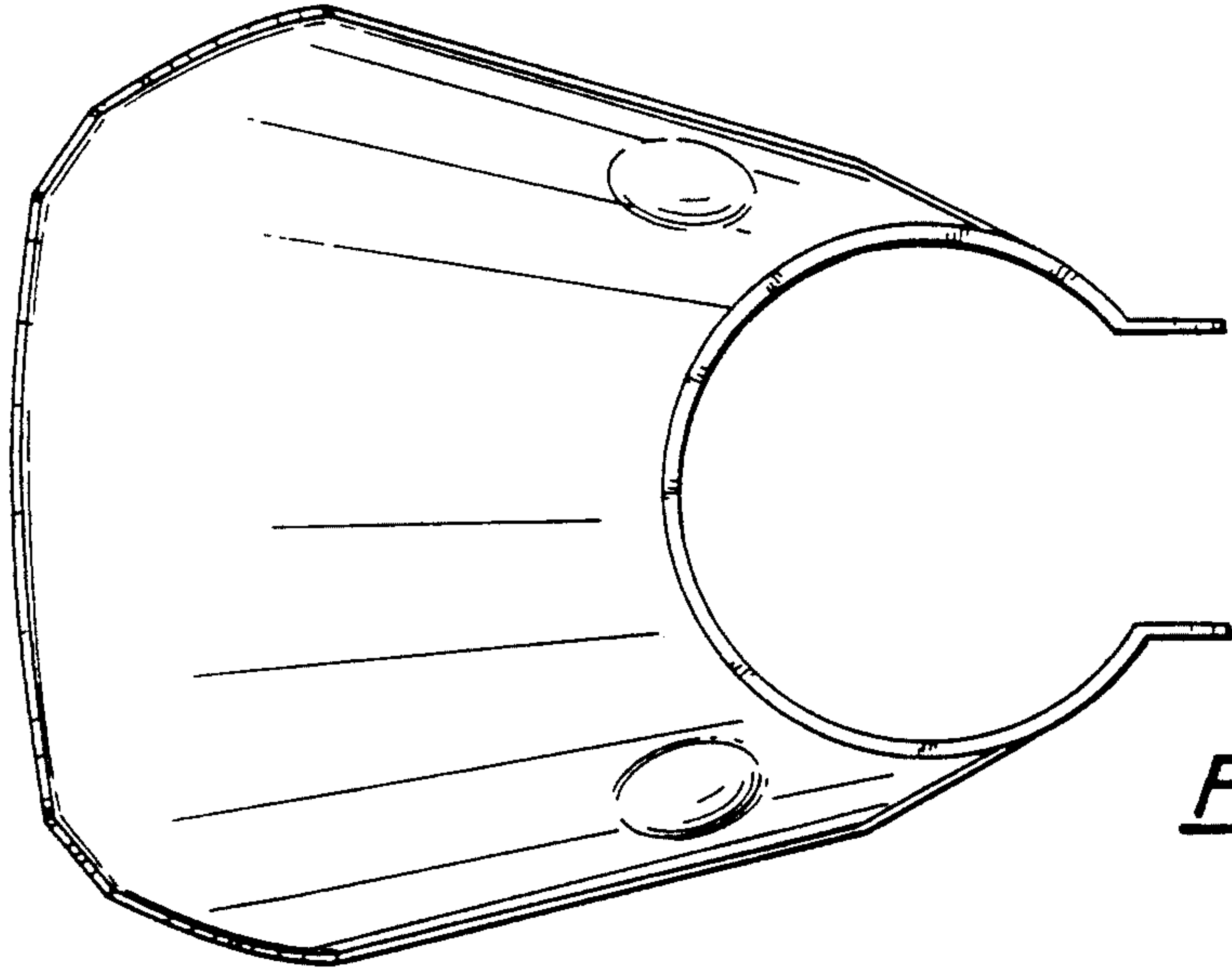


FIG-5

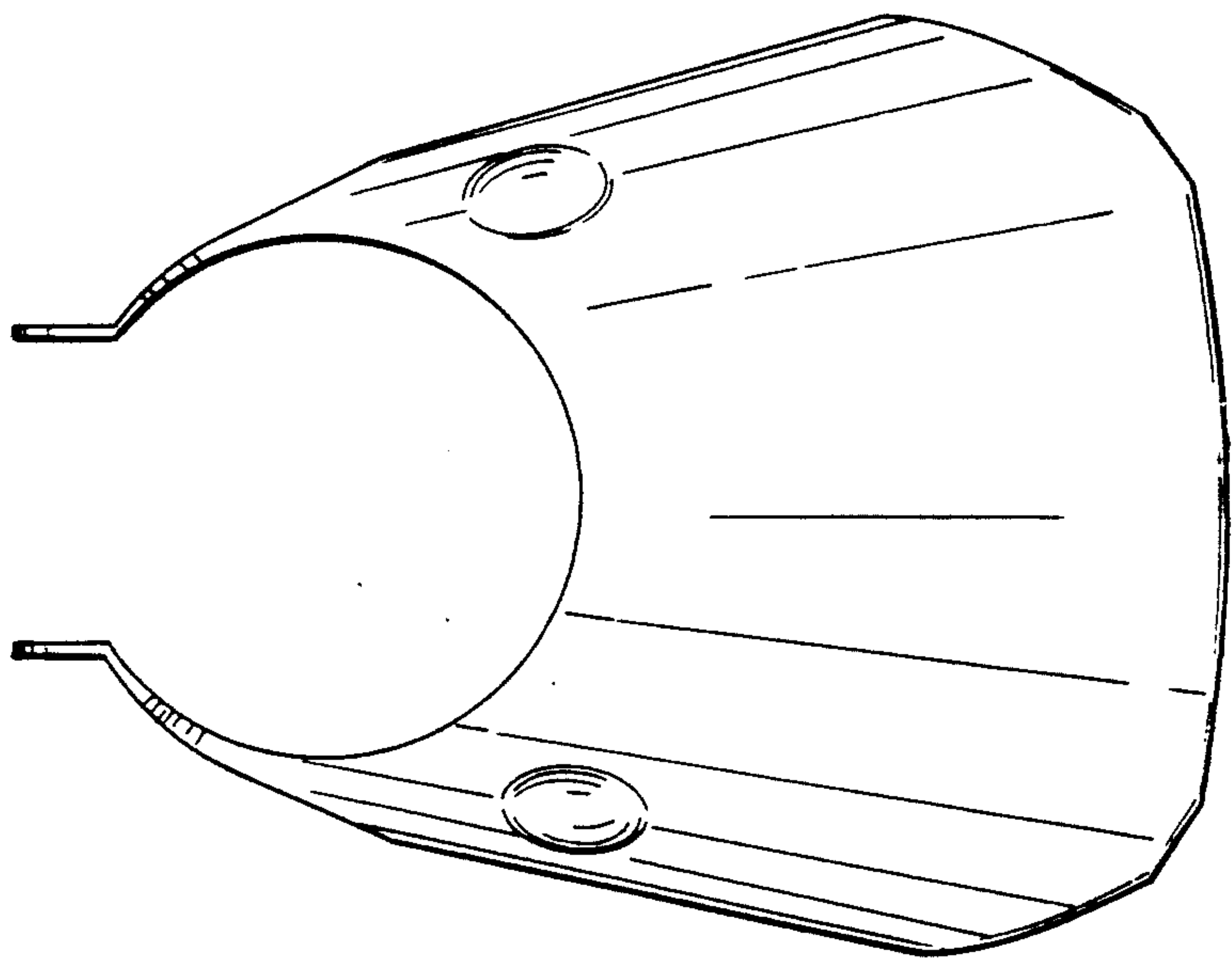


FIG-6