



US00D346264S

United States Patent [19]

[11] Patent Number: **Des. 346,264**

Etzel et al.

[45] Date of Patent: **** Apr. 19, 1994**

[54] BURIAL VAULT

D. 309,033 7/1990 Mohr D99/1

[76] Inventors: **Henry V. Etzel; Robert T. Etzel**, both of 2268 N. Hillcrest, Wellington, Utah 84542

Primary Examiner—Alan P. Douglas
Assistant Examiner—Jeffrey H. Musgrove
Attorney, Agent, or Firm—M. Reid Russell

[**] Term: **14 Years**

[57] CLAIM

[21] Appl. No.: **5,998**

The ornamental design for a burial vault, as shown and described.

[22] Filed: **Mar. 16, 1993**

[52] U.S. Cl. **D99/1**

[58] Field of Search **27/2-7, 27/1, 35; D99/1, 2, 3, 99**

DESCRIPTION

[56] References Cited

U.S. PATENT DOCUMENTS

- D. 116,131 8/1939 Baker D99/1
- D. 223,903 6/1972 Herricht D99/1
- D. 227,562 7/1923 Pitt D99/1

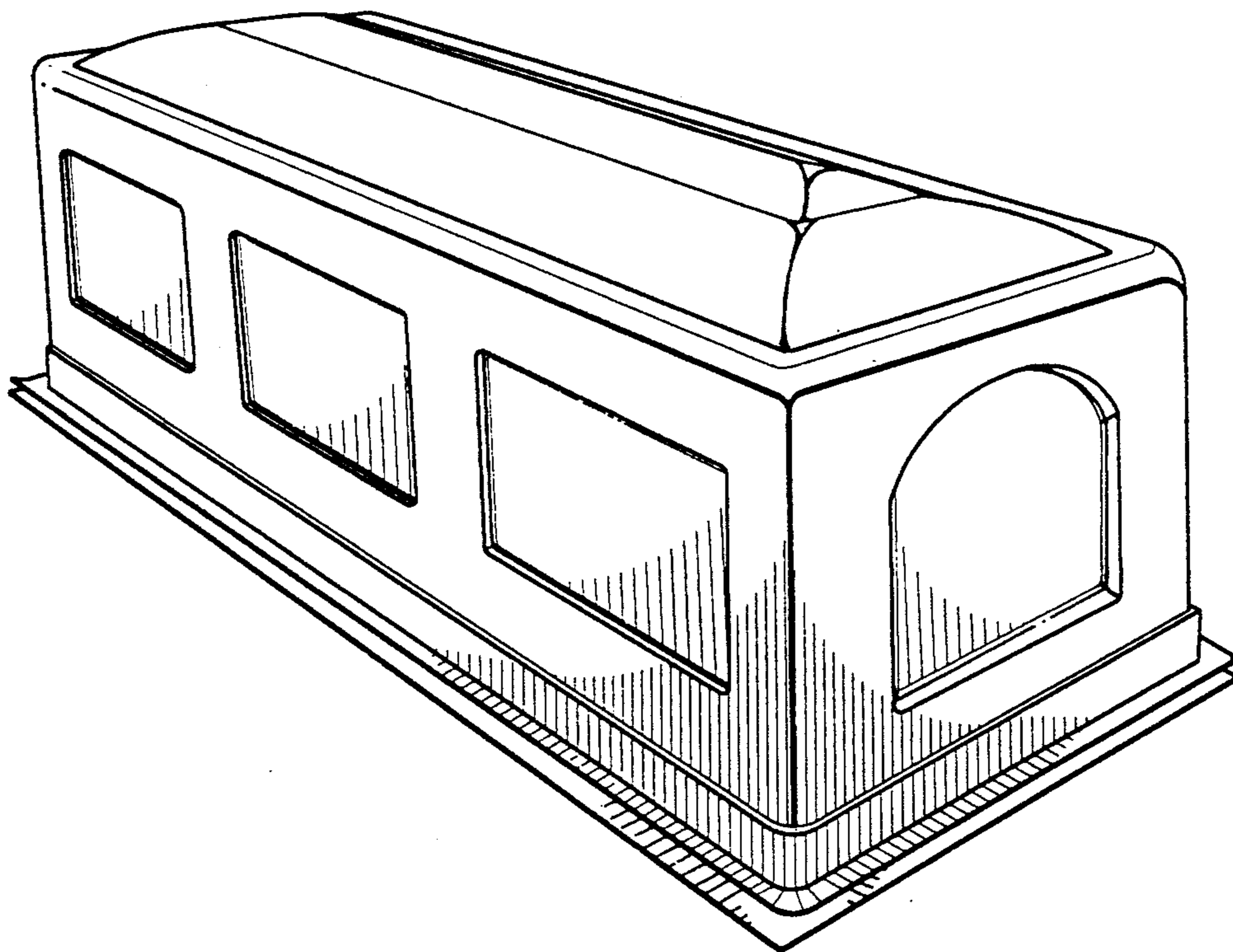
FIG. 1 is a frontal perspective view showing front, top and right side of the burial vault, showing my new design;

FIG. 2 is a front elevation view;

FIG. 3 is a right side elevation view, the left side elevation view being a mirror image;

FIG. 4 is a top plan view; and,

FIG. 5 is a bottom plan view.



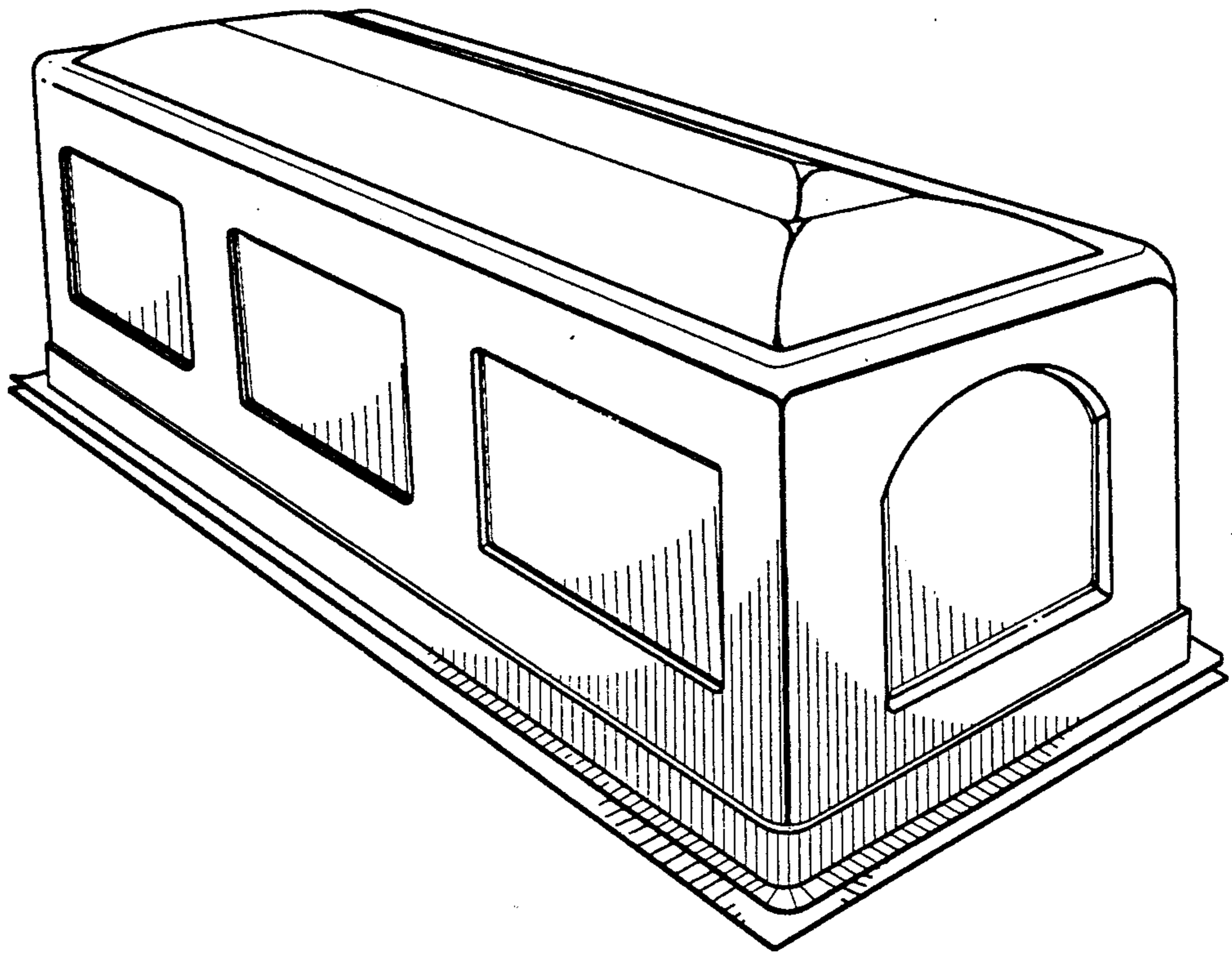


FIG. 1

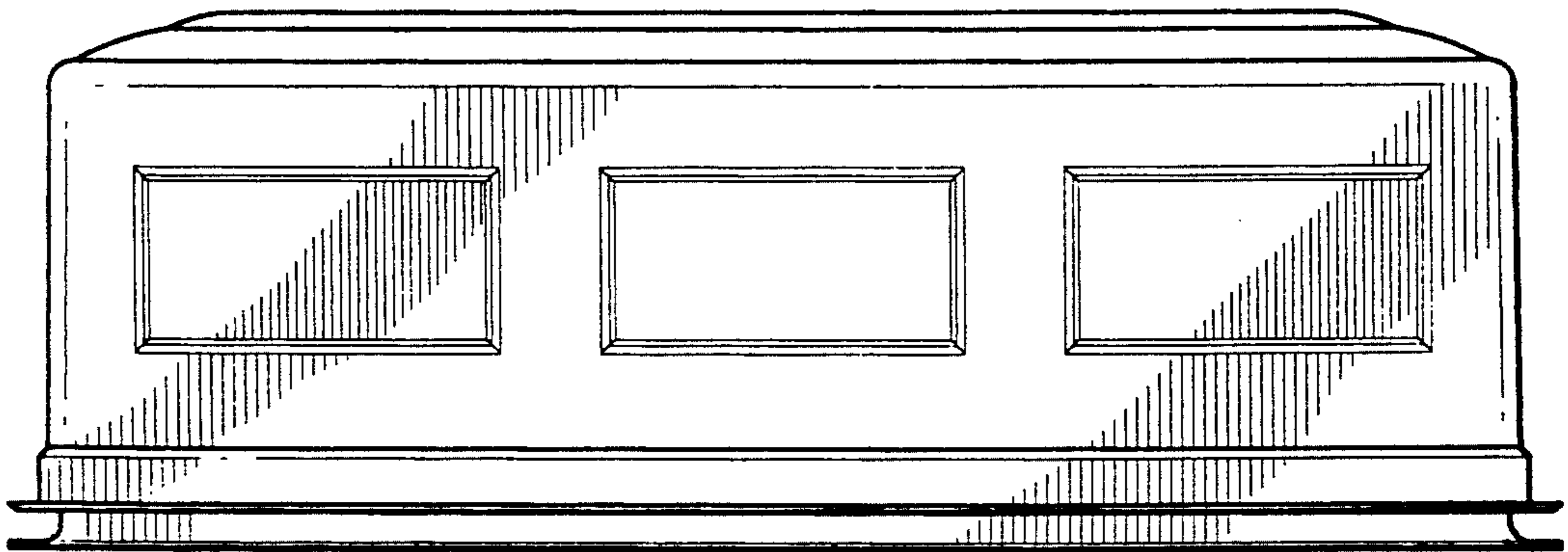


FIG. 2

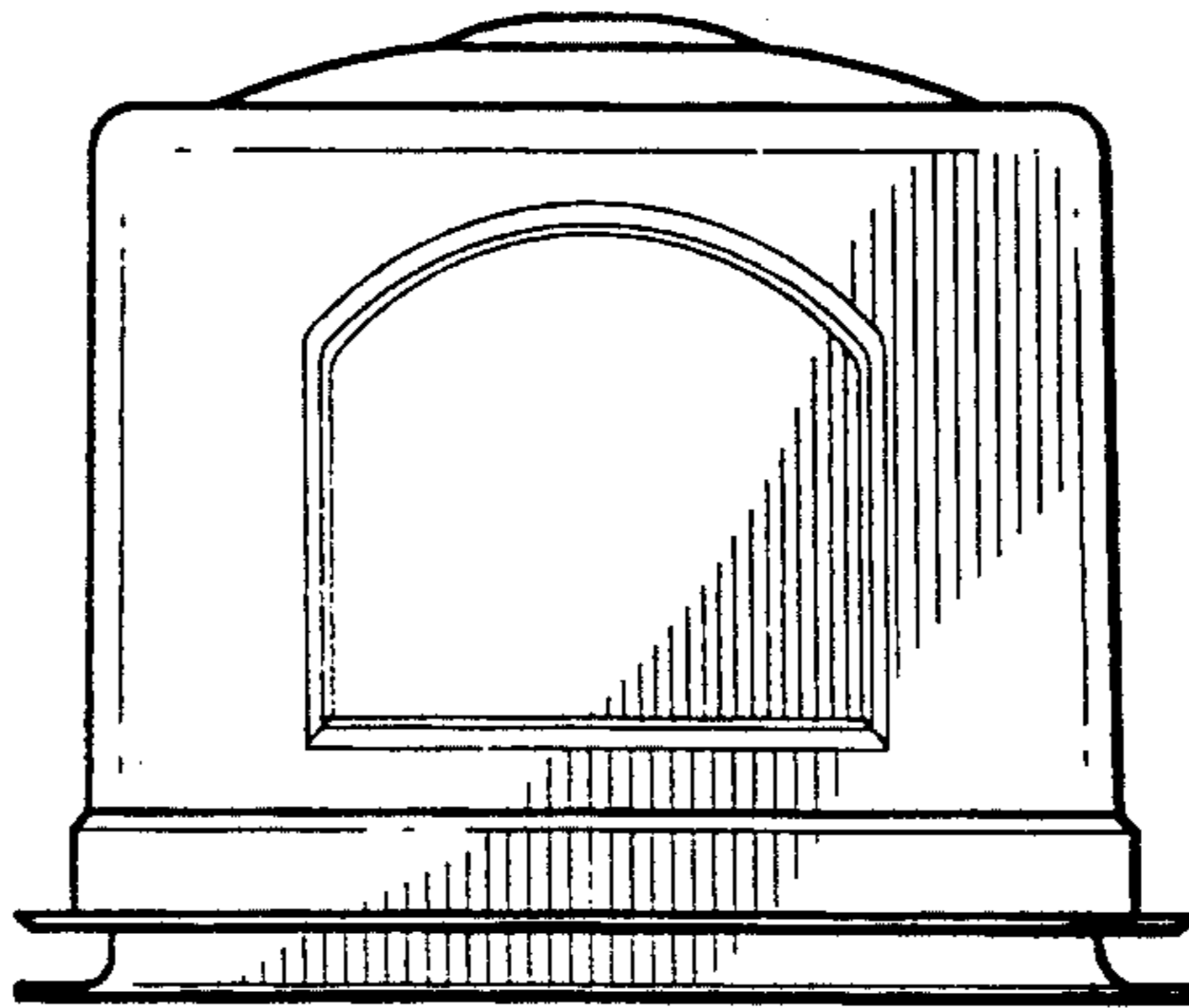


FIG. 3

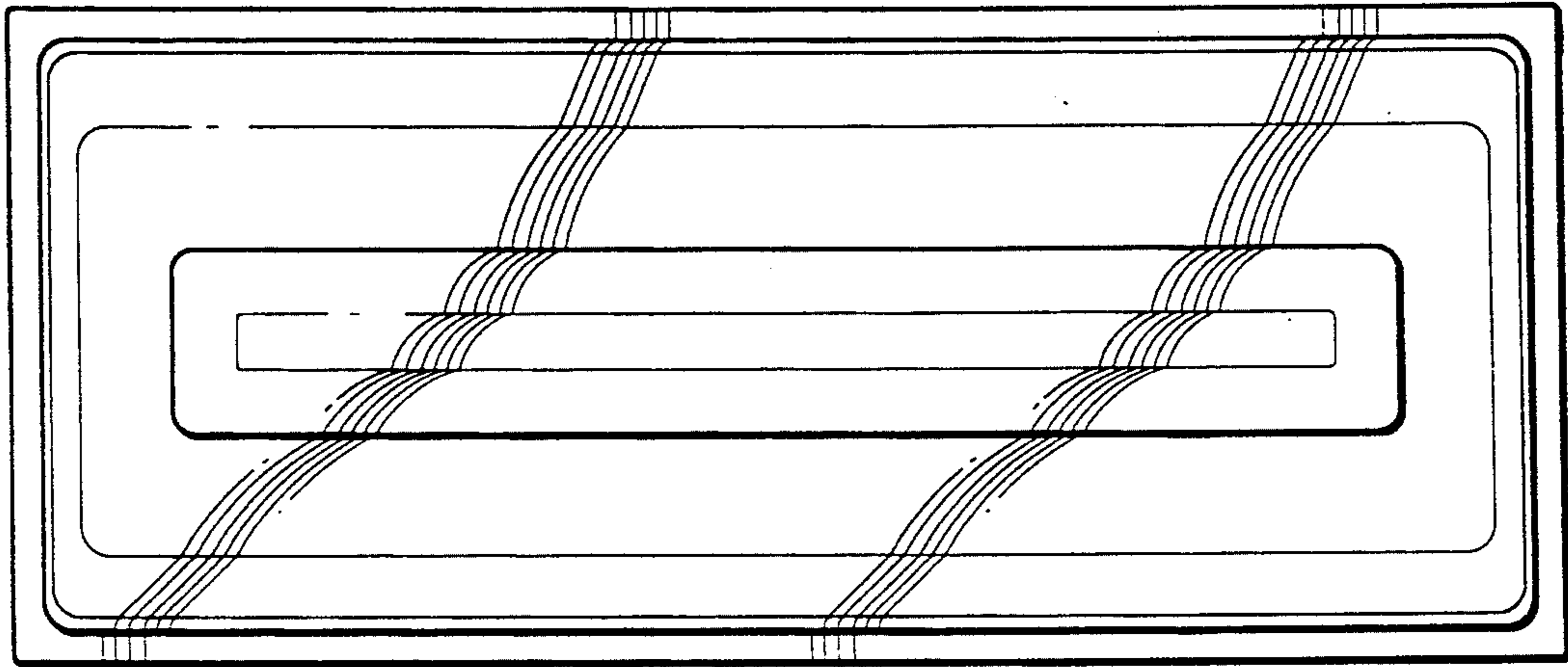


FIG. 4

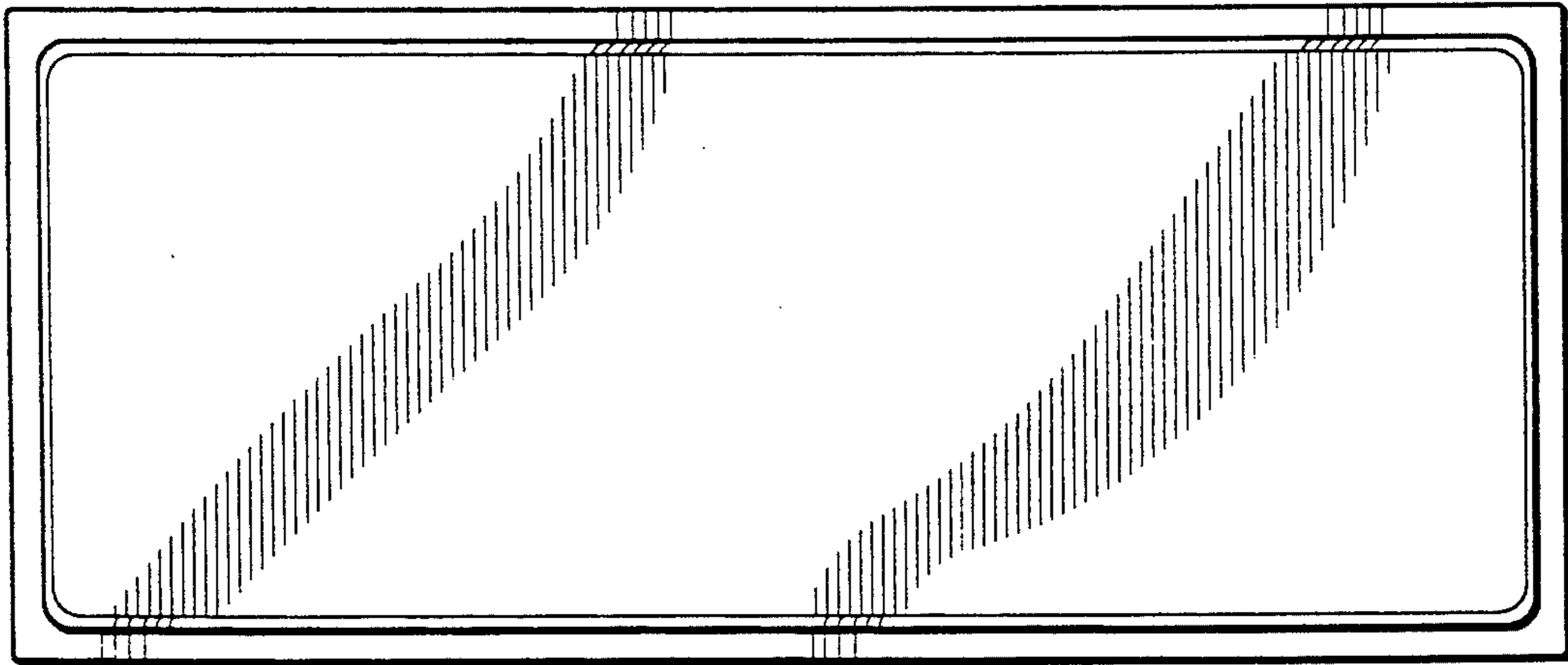


FIG. 5