



US00D346261S

United States Patent [19]

[11] Patent Number: Des. 346,261

Fay

[45] Date of Patent: ** Apr. 19, 1994

[54] DOUGH STATION

4,602,572 7/1986 Grarer et al. 198/550.4

[75] Inventor: James R. Fay, Joliet, Ill.

Primary Examiner—Kay H. Chin

[73] Assignee: Champion Universal Ltd., Joliet, Ill.

[57] CLAIM

[**] Term: 14 Years

The ornamental design for a dough station, as shown and described.

[21] Appl. No.: 854,060

DESCRIPTION

[22] Filed: Mar. 19, 1992

FIG. 1 is a top, front and left side perspective view of a dough station showing my new design;

[52] U.S. Cl. D34/29; D34/28

FIG. 2 is a front elevational view thereof with the lid closed;

[58] Field of Search 198/550.4, 550.13;

D34/28, 29

FIG. 3 is a rear elevational view thereof;

FIG. 4 is a top plan view thereof;

[56] References Cited

U.S. PATENT DOCUMENTS

- 1,126,748 2/1915 Gledhill 198/550.13
- 3,417,859 12/1968 Clemente 198/550.13
- 3,621,981 11/1971 Nimmo, Jr. et al. 198/550.4

FIG. 5 is a top plan view thereof with the lid open;

FIG. 6 is a bottom view thereof;

FIG. 7 is a right side view thereof; and,

FIG. 8 is a left side view thereof.

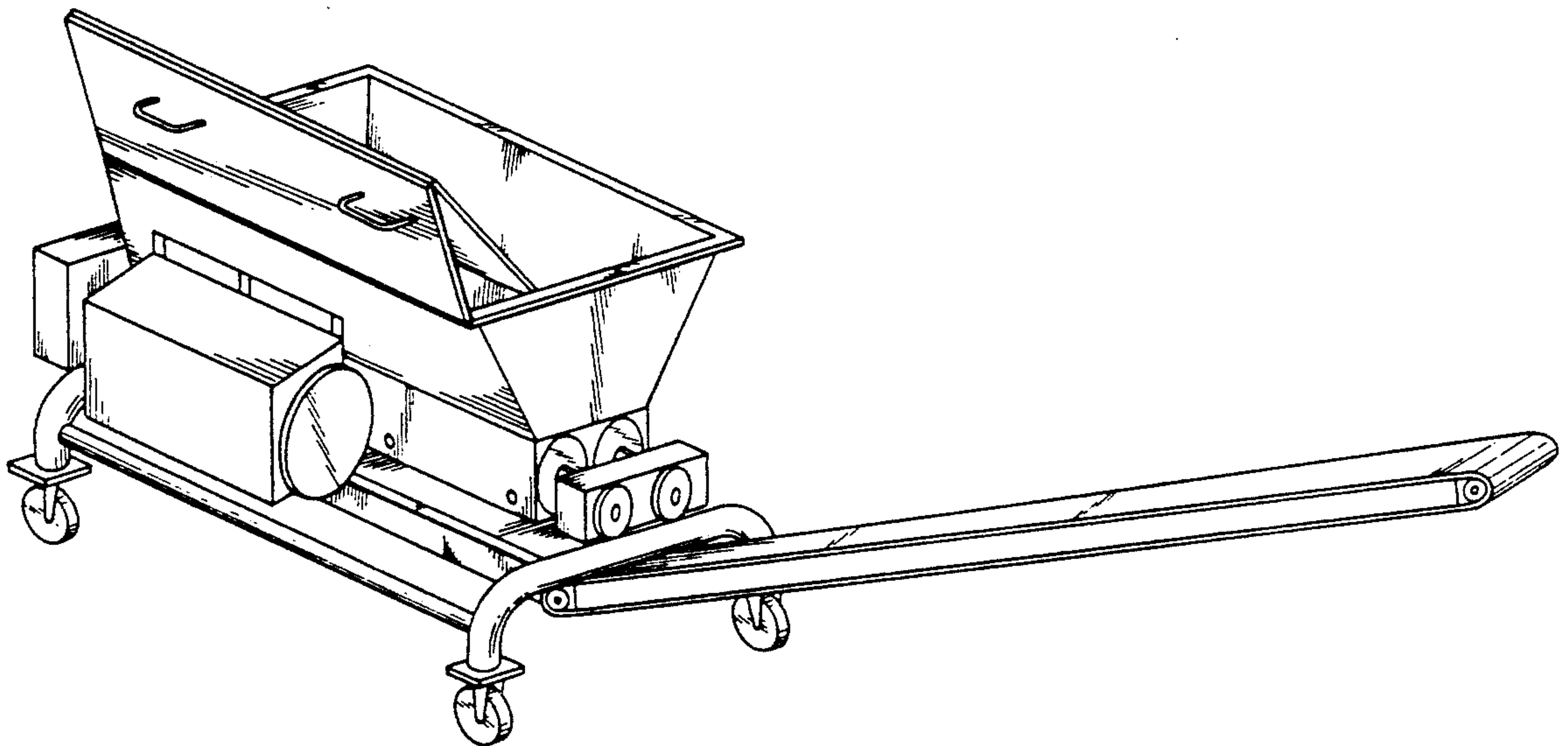
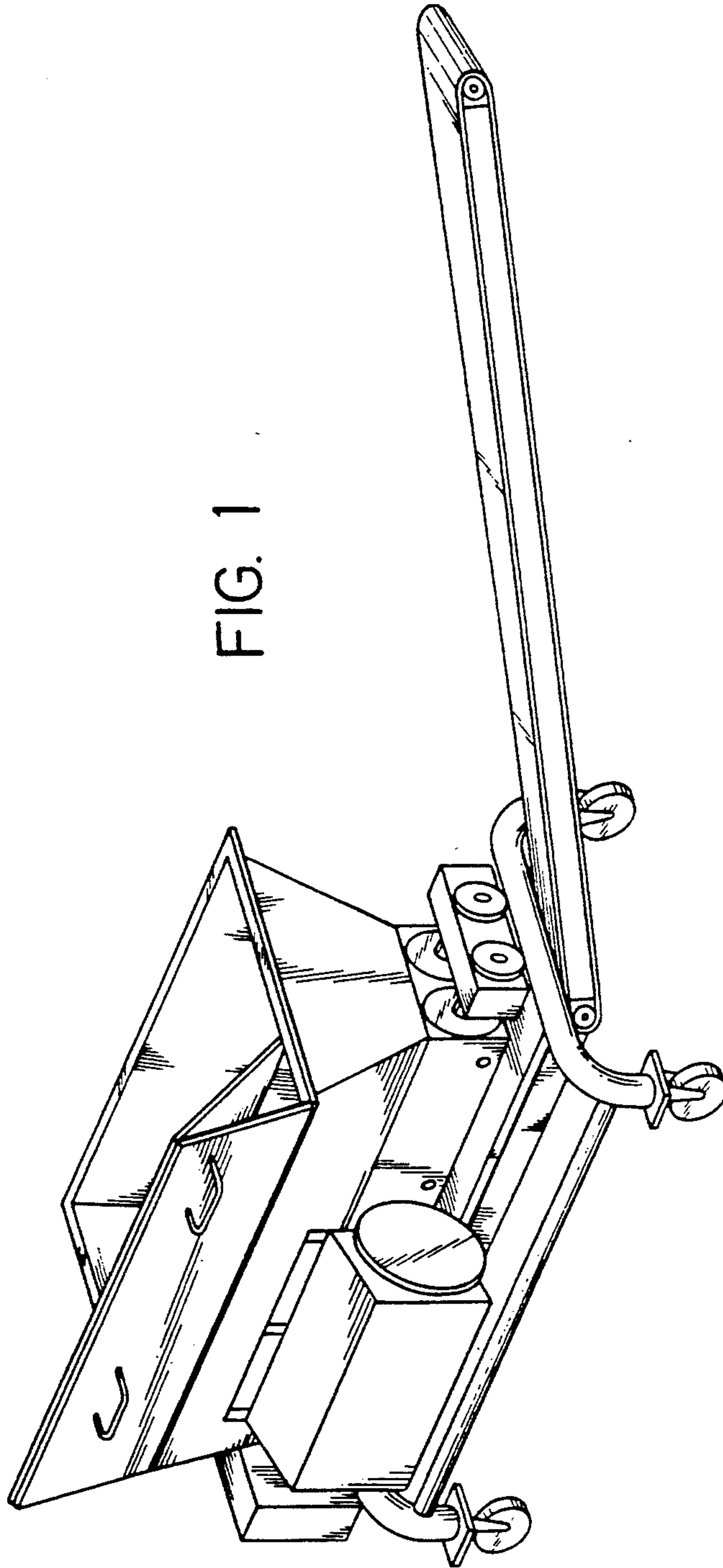
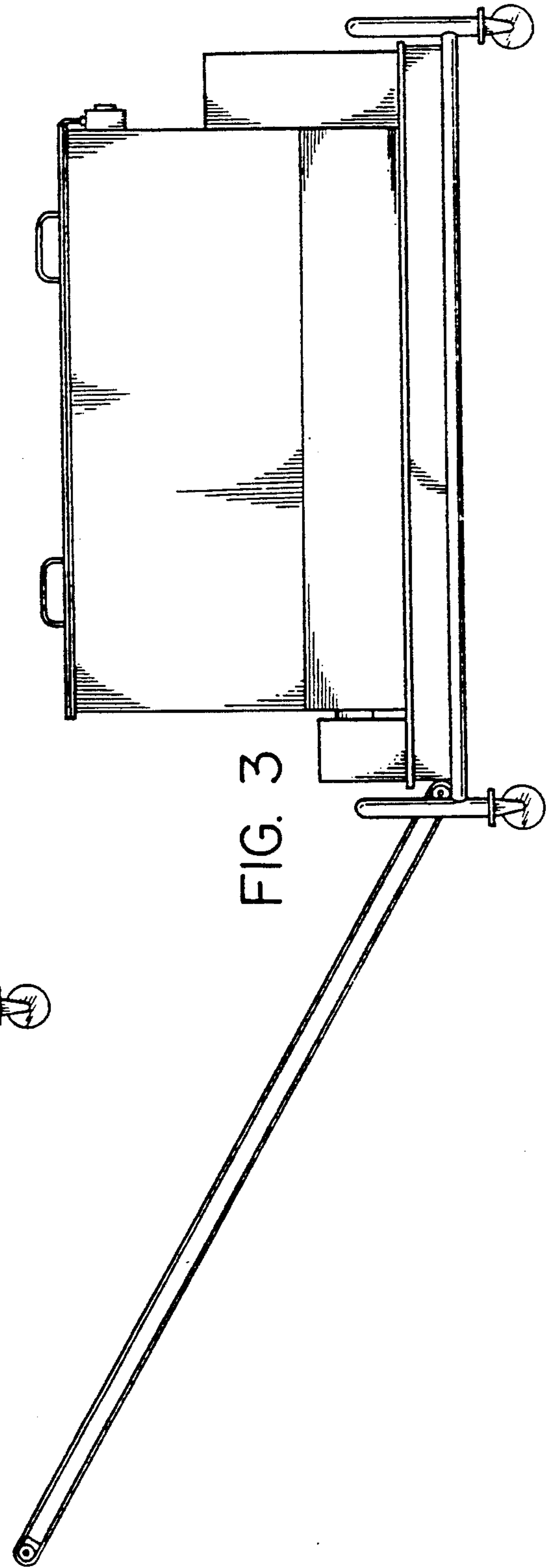
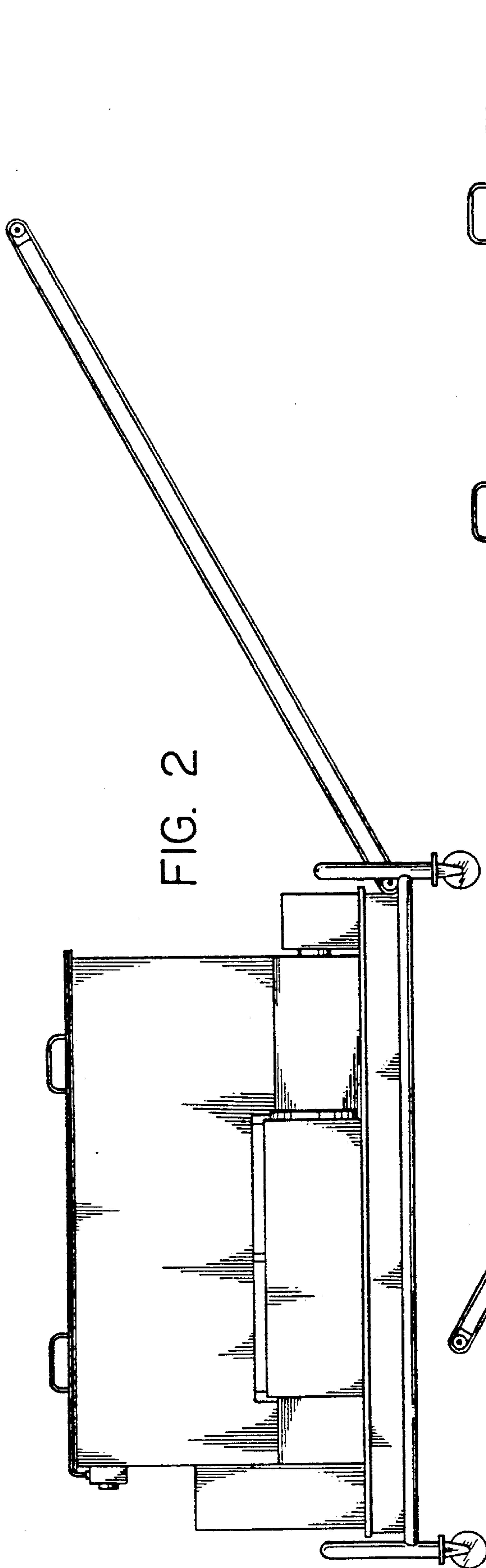


FIG. 1





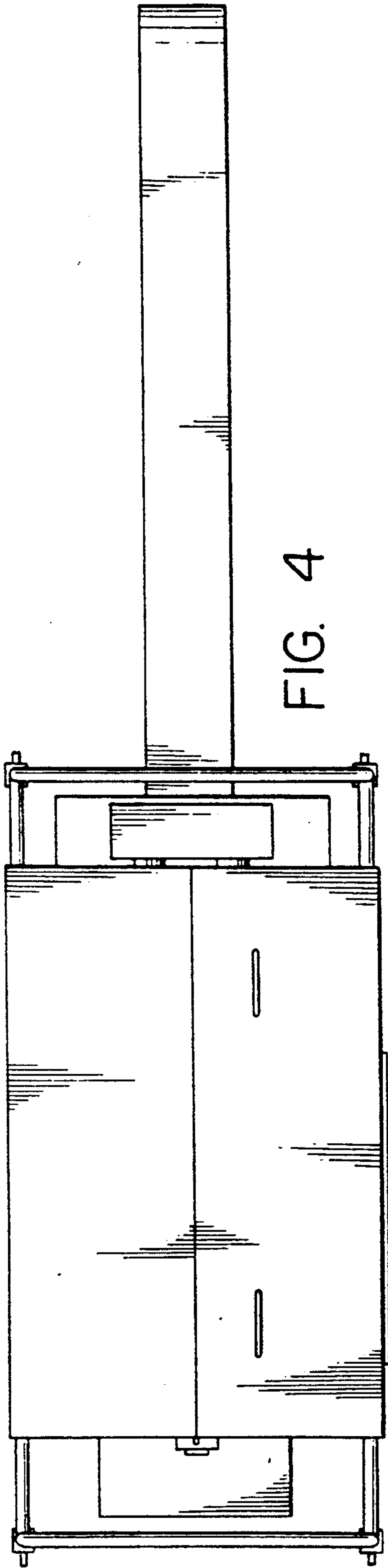


FIG. 4

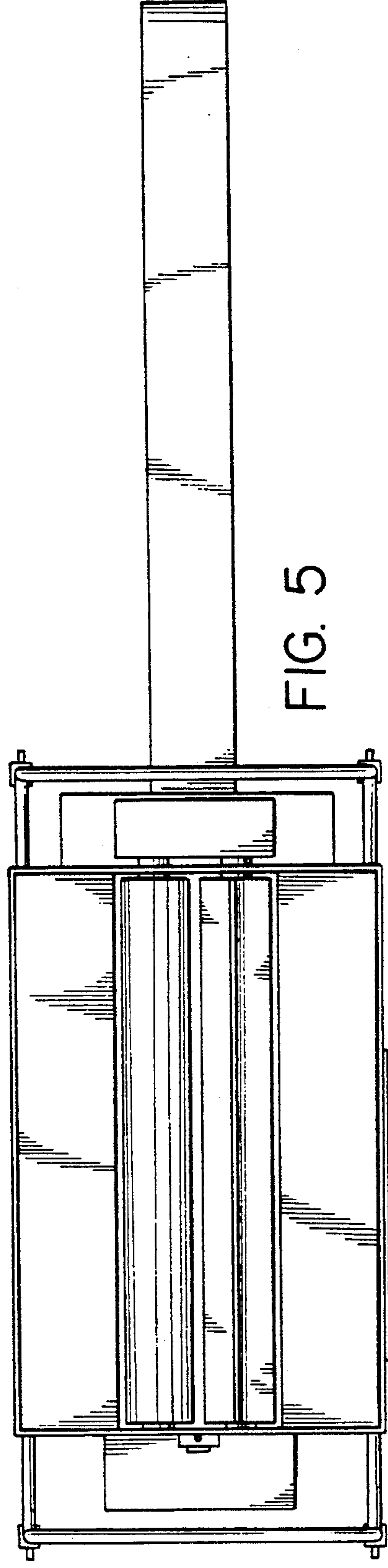


FIG. 5

FIG. 6

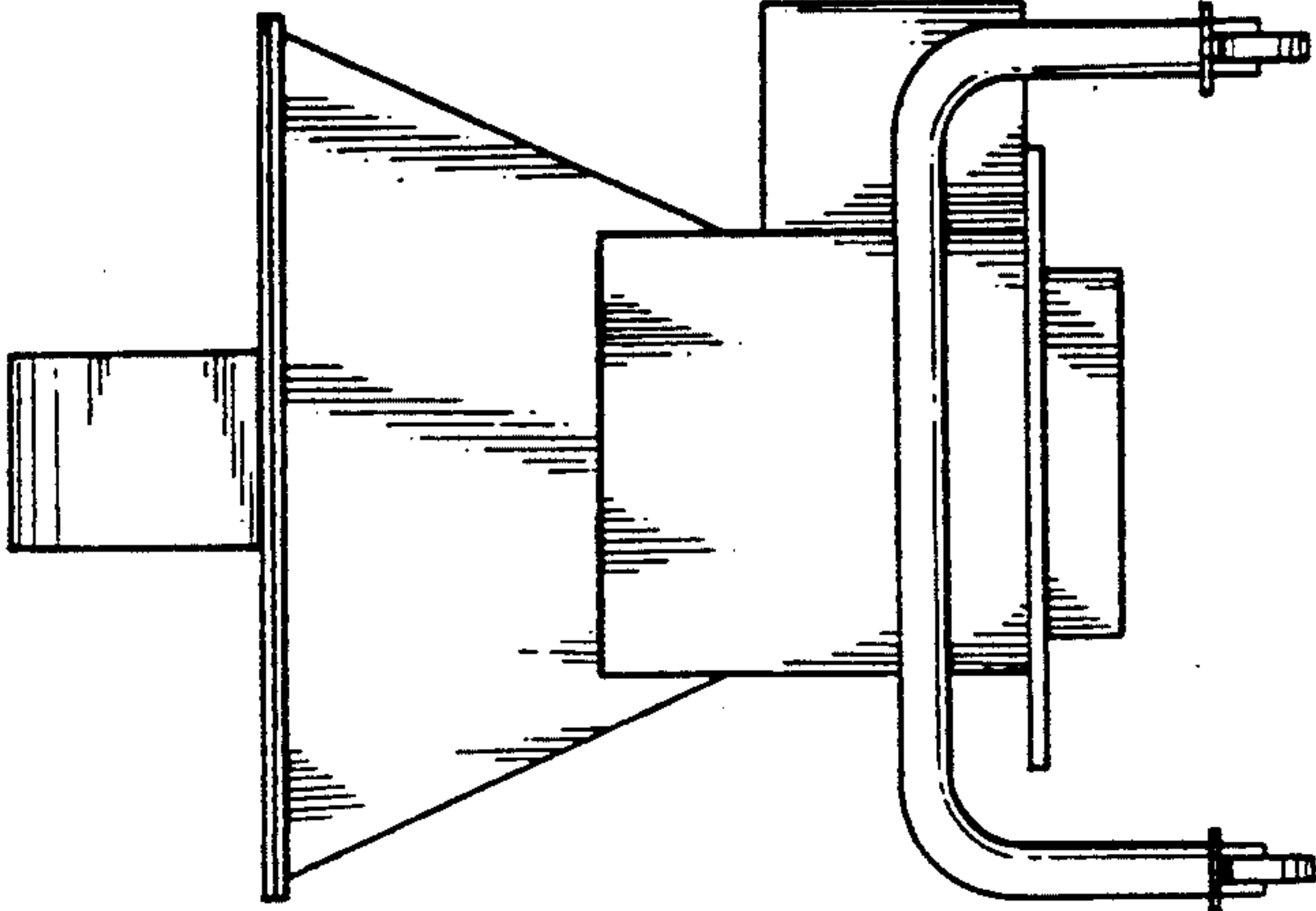
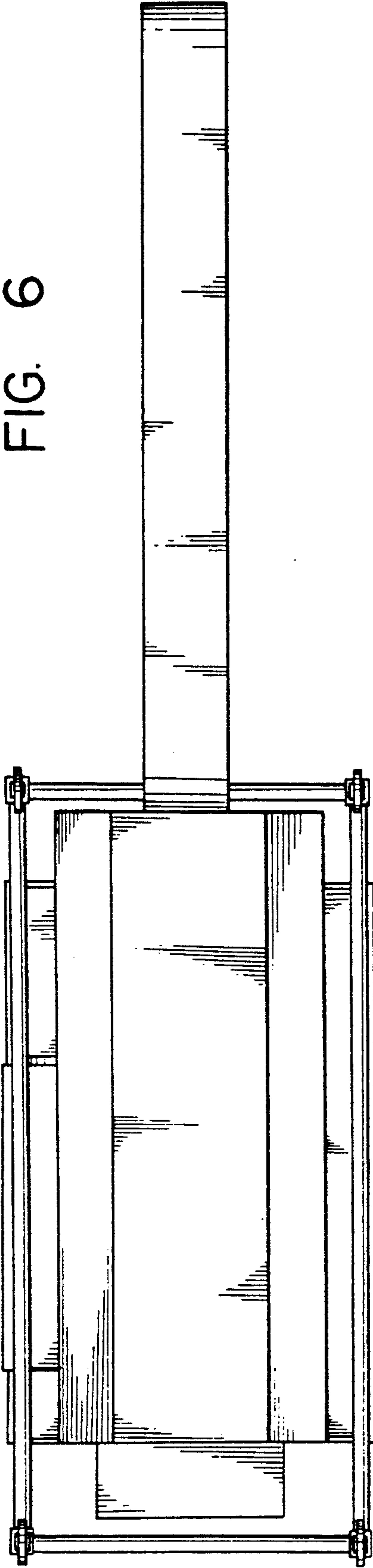


FIG. 8

FIG. 7

