



US00D346260S

United States Patent [19]

Silbersky et al.

[11] Patent Number: **Des. 346,260**

[45] Date of Patent: **** Apr. 19, 1994**

[54] **COLUMN FOR A LIFTING APPLIANCE**

[75] Inventors: **Jonnie Silbersky, Malmo; Leif B. Sonesson, Eslov, both of Sweden**

[73] Assignee: **Arjo Hospital Equipment AB, Eslov, Sweden**

[**] Term: **14 Years**

[21] Appl. No.: **897,108**

[22] Filed: **Jun. 11, 1992**

Related U.S. Application Data

[62] Division of Ser. No. 508,413, Apr. 13, 1990, Pat. No. Des. 329,112.

Foreign Application Priority Data

Oct. 17, 1989 [SE] Sweden 89 2337
[52] U.S. Cl. **D34/35**

[58] Field of Search 52/737-738; 5/658; D25/119, 121-125; D34/35

[56] References Cited

U.S. PATENT DOCUMENTS

D. 234,756	4/1975	Bergstrom et al.	D25/122 X
D. 301,909	6/1989	Heddon	D25/122 X
D. 329,112	9/1992	Silbersky et al.	D34/28
2,980,215	4/1961	Englund	D25/122 X

Primary Examiner—Wallace R. Burke
Assistant Examiner—H. Baynham

[57] CLAIM

The ornamental design for a column for a lifting appliance, as shown.

DESCRIPTION

FIG. 1 is a perspective view of a column for a lifting appliance showing our new design; and, FIG. 2 is a bottom perspective view of a column for a lifting appliance thereof. The undisclosed end is identical to the end shown.

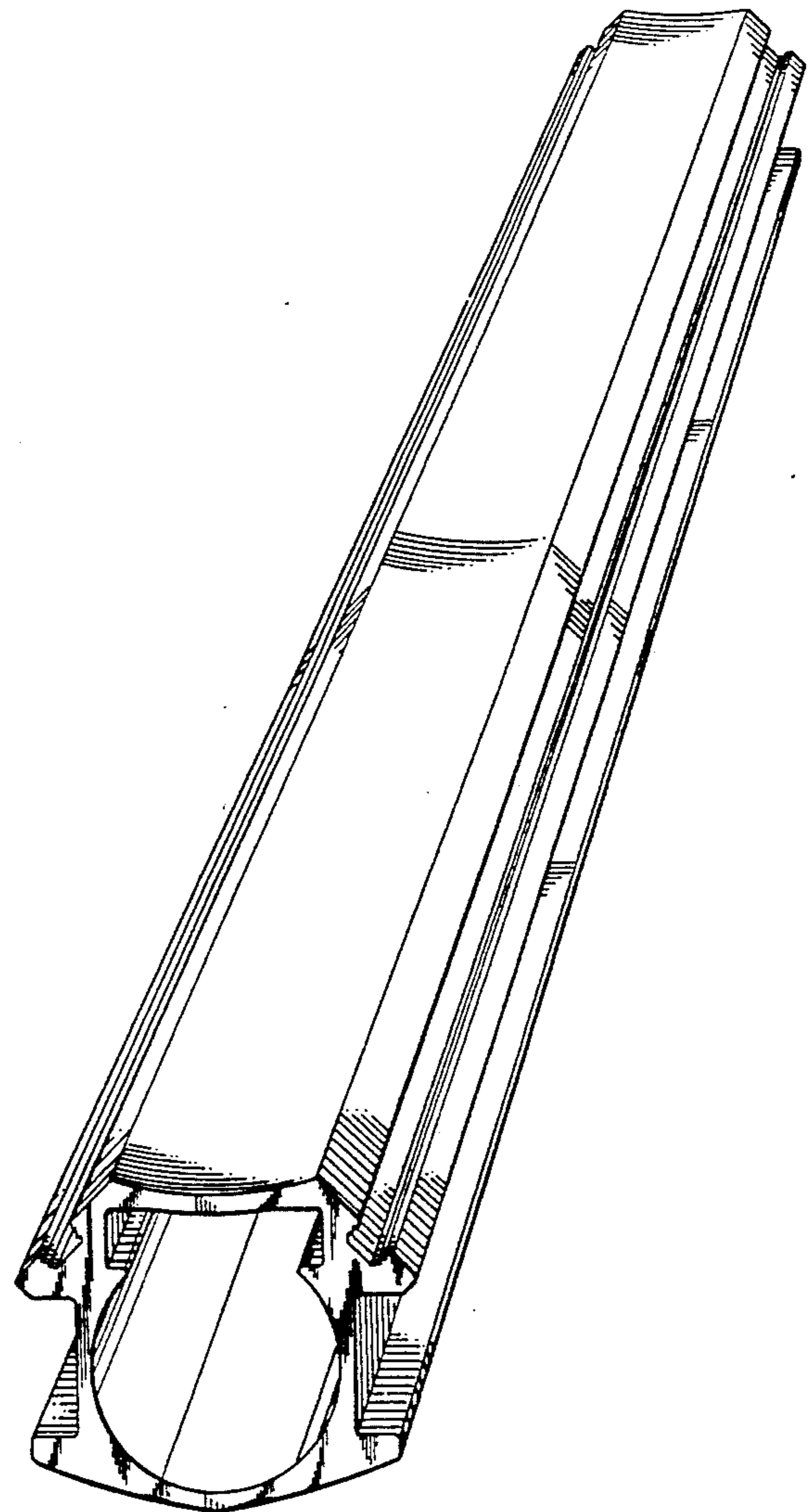
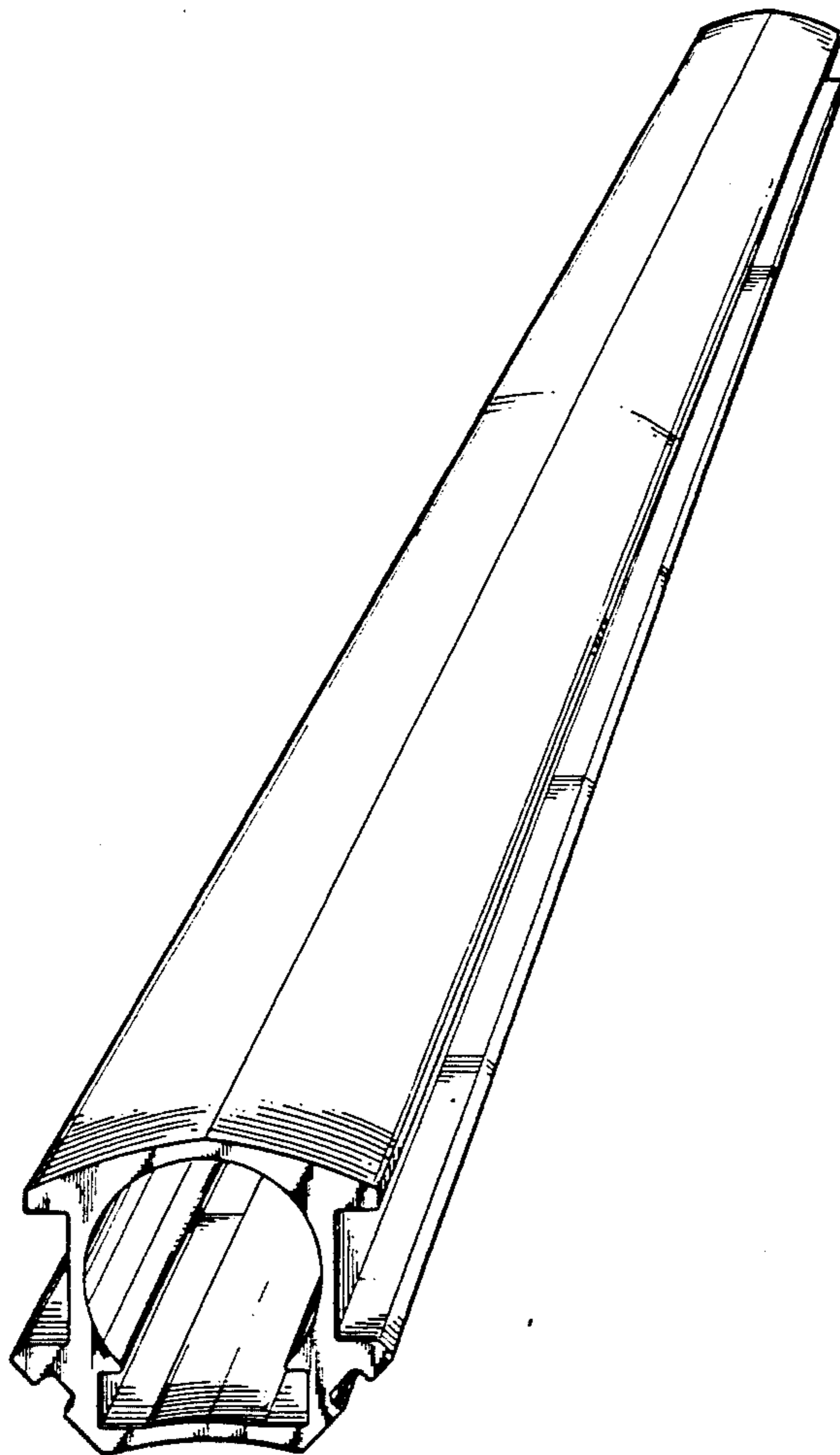


FIG. 1

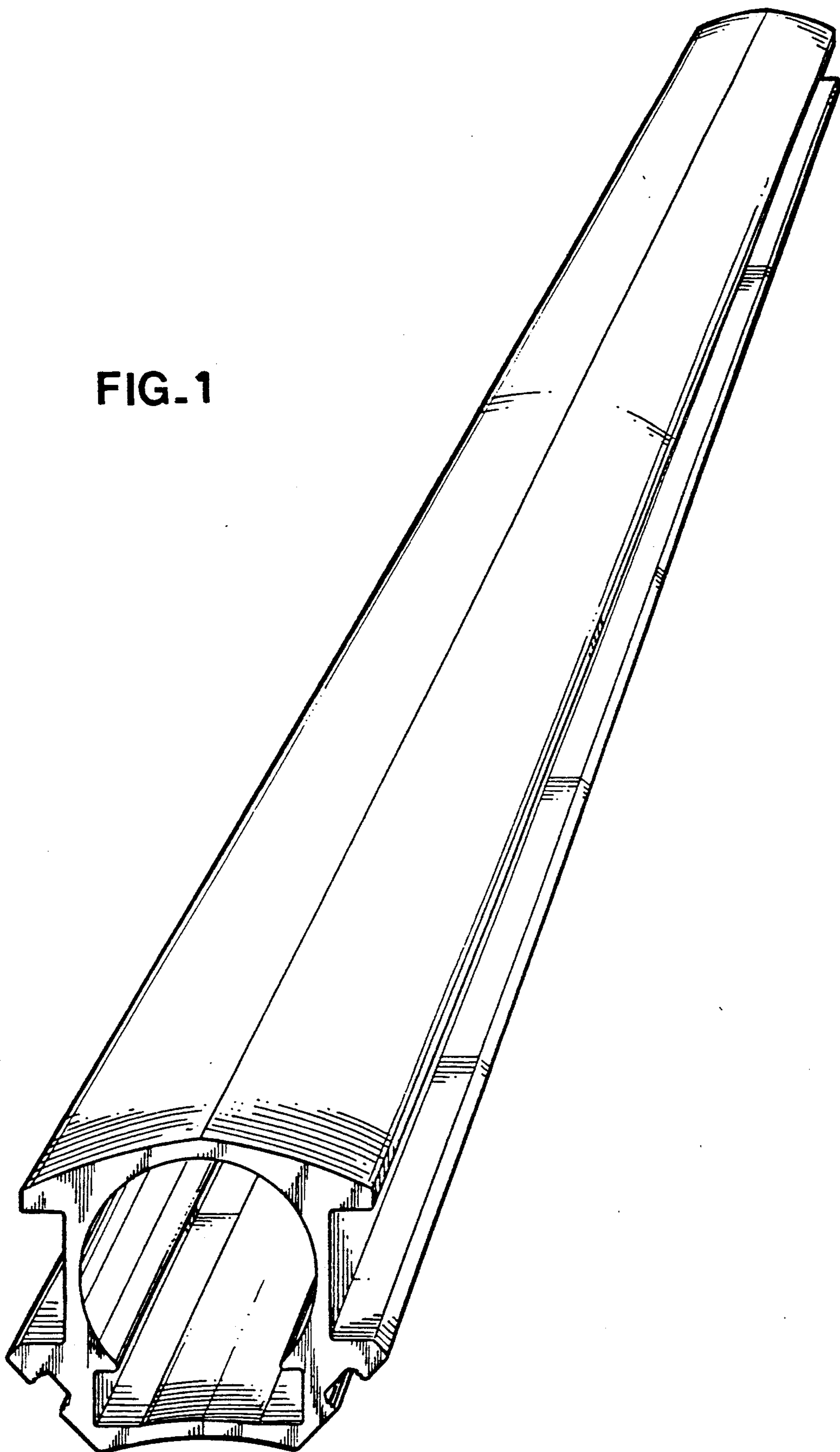


FIG. 2

