



US00D346258S

United States Patent [19]

Zankich

[11] Patent Number: **Des. 346,258**

[45] Date of Patent: **** Apr. 19, 1994**

[54] **WINCH FOR TIGHTENING STRAP**

[75] Inventor: **Frank A. Zankich, San Pedro, Calif.**

[73] Assignee: **Ancra International Corporation, Hawthorne, Calif.**

[**] Term: **14 Years**

[21] Appl. No.: **836,922**

[22] Filed: **Feb. 14, 1992**

[52] U.S. Cl. **D34/33; D34/35**

[58] Field of Search **254/222; 410/103; D34/28, 33, 34, 35**

[56] **References Cited**

U.S. PATENT DOCUMENTS

3,101,927 8/1963 Gray 254/222
4,475,854 10/1984 Ericsson 410/103

4,913,608 4/1990 Royball 410/103
5,156,506 10/1992 Bailey 410/103

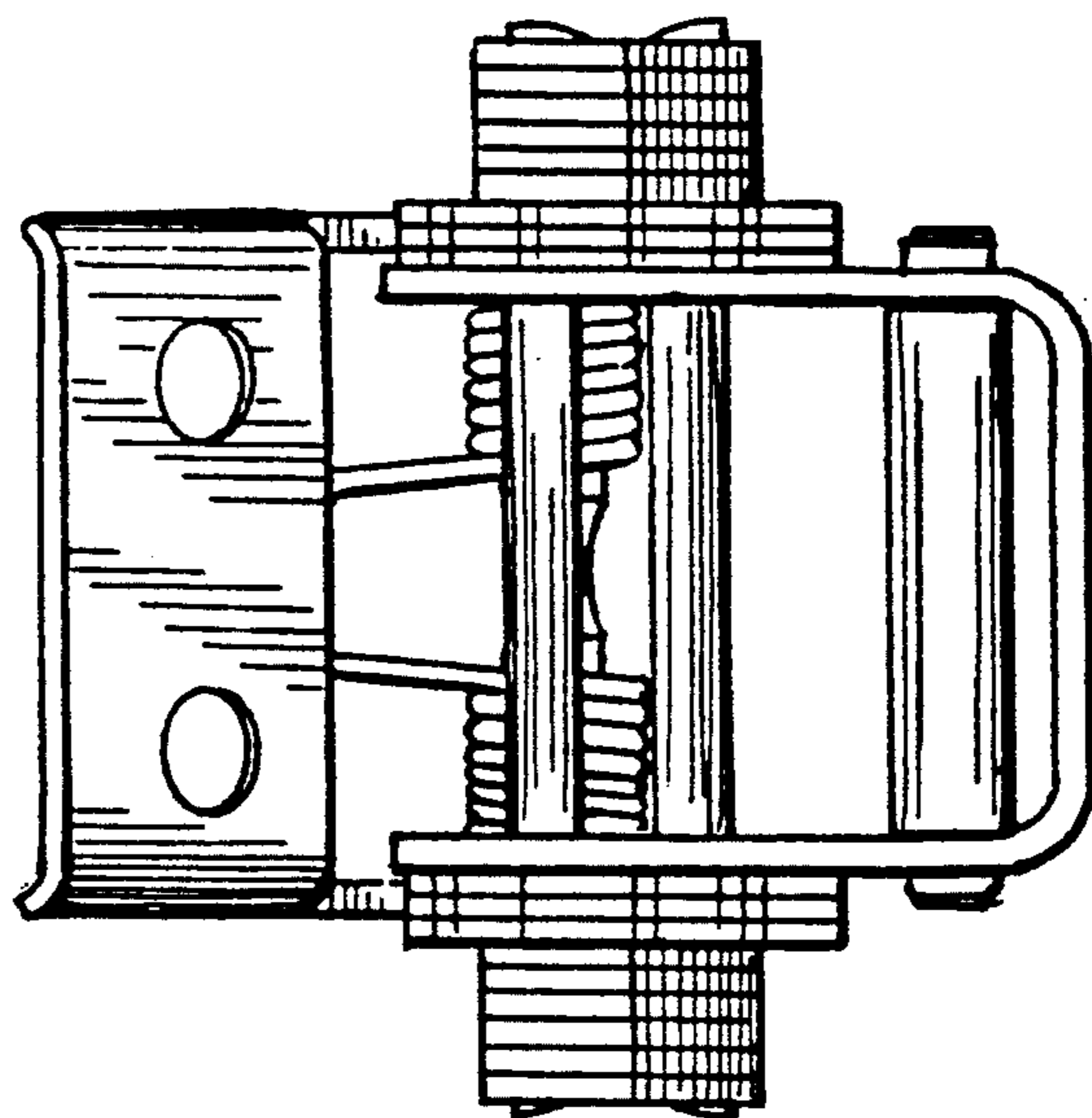
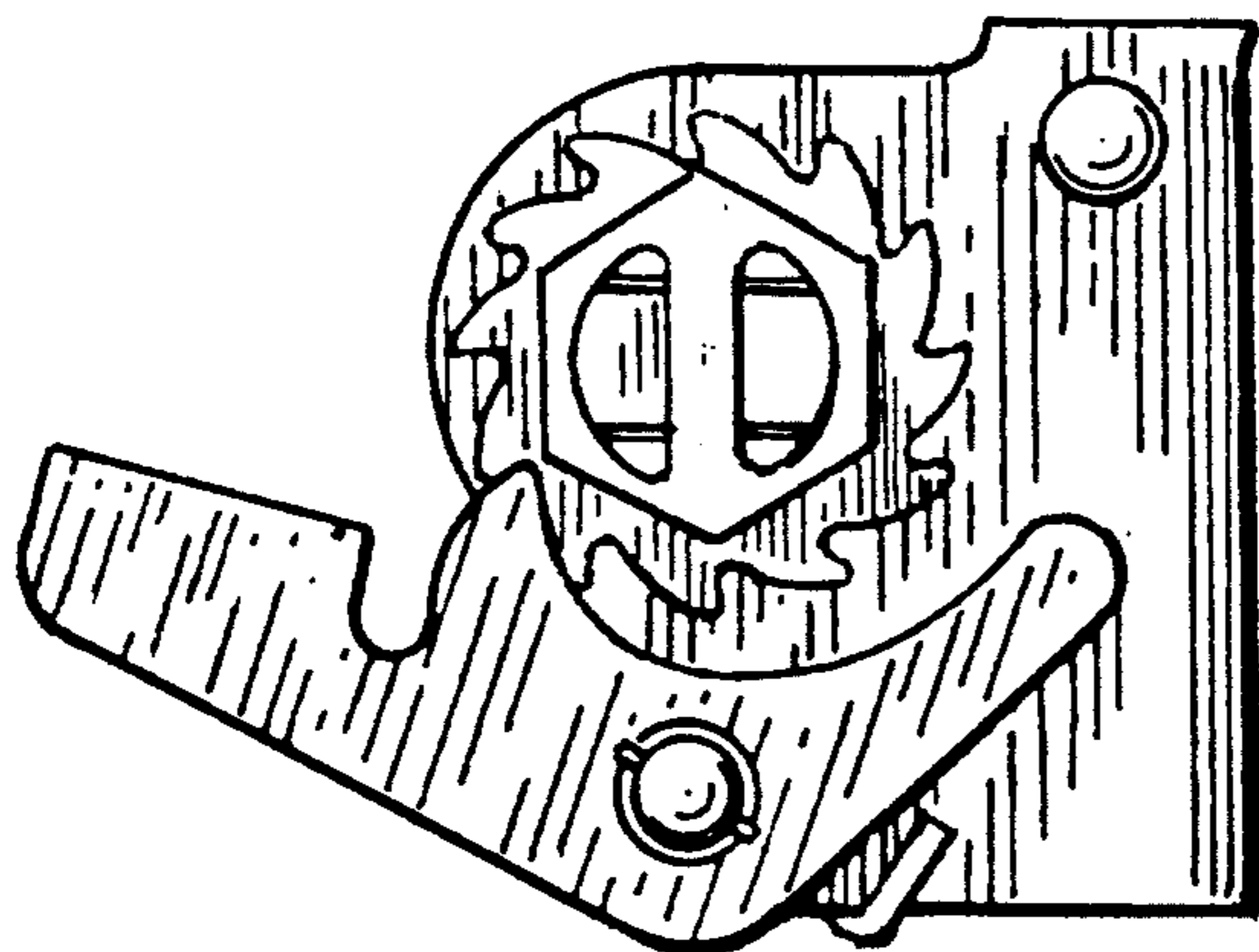
Primary Examiner—Kay H. Chin
Attorney, Agent, or Firm—Edward A. Sokolski

[57] **CLAIM**

The ornamental design for a winch for tightening strap, as shown and described.

DESCRIPTION

FIG. 1 is a left side elevational view of a winch for tightening strap showing my new design; FIG. 2 is a rear elevational view thereof; FIG. 3 is a top plan view thereof; FIG. 4 is a front elevational view thereof; and, FIG. 5 is a bottom plan view thereof. The right side is a mirror image of the left side shown in FIG. 1.



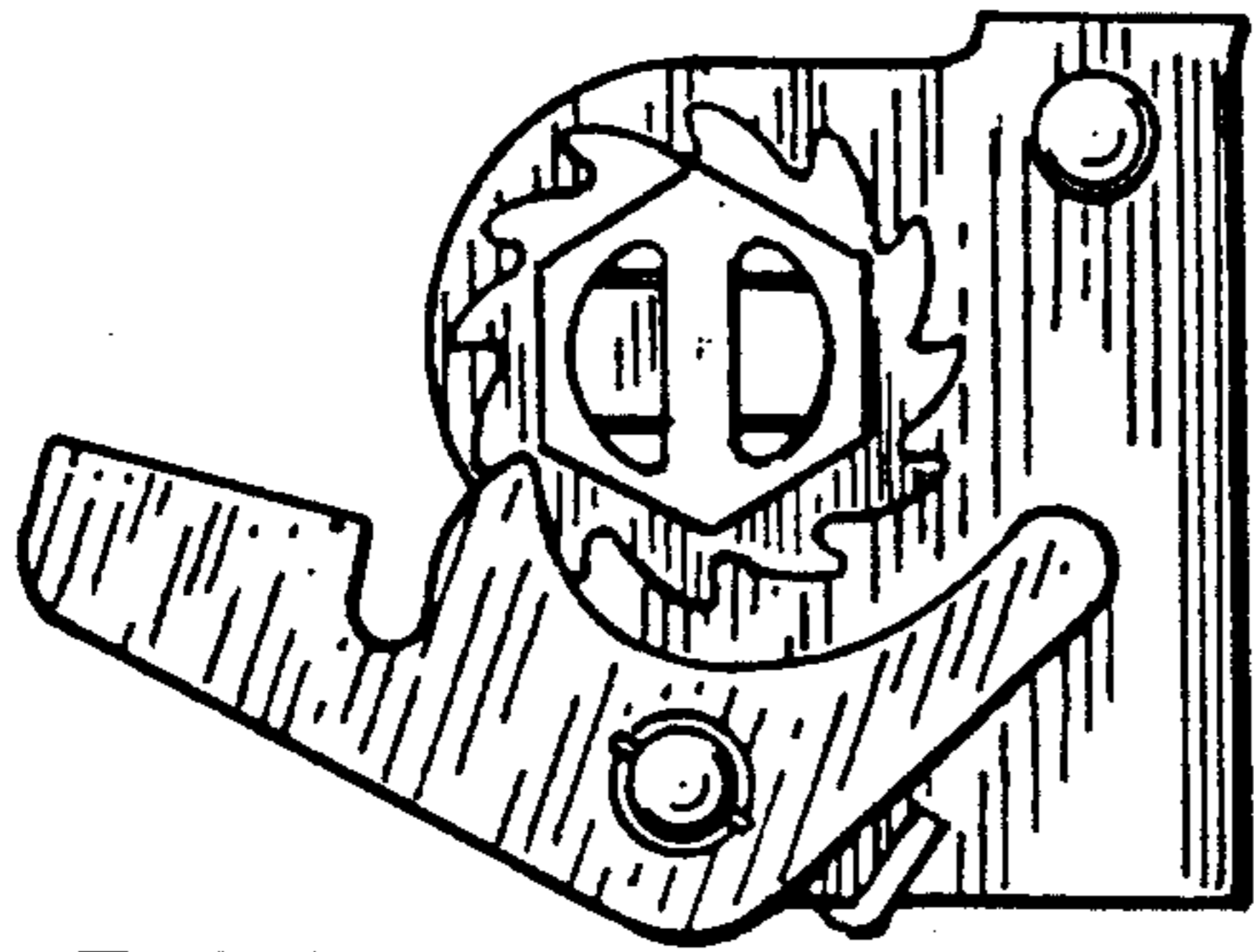


FIG. 1

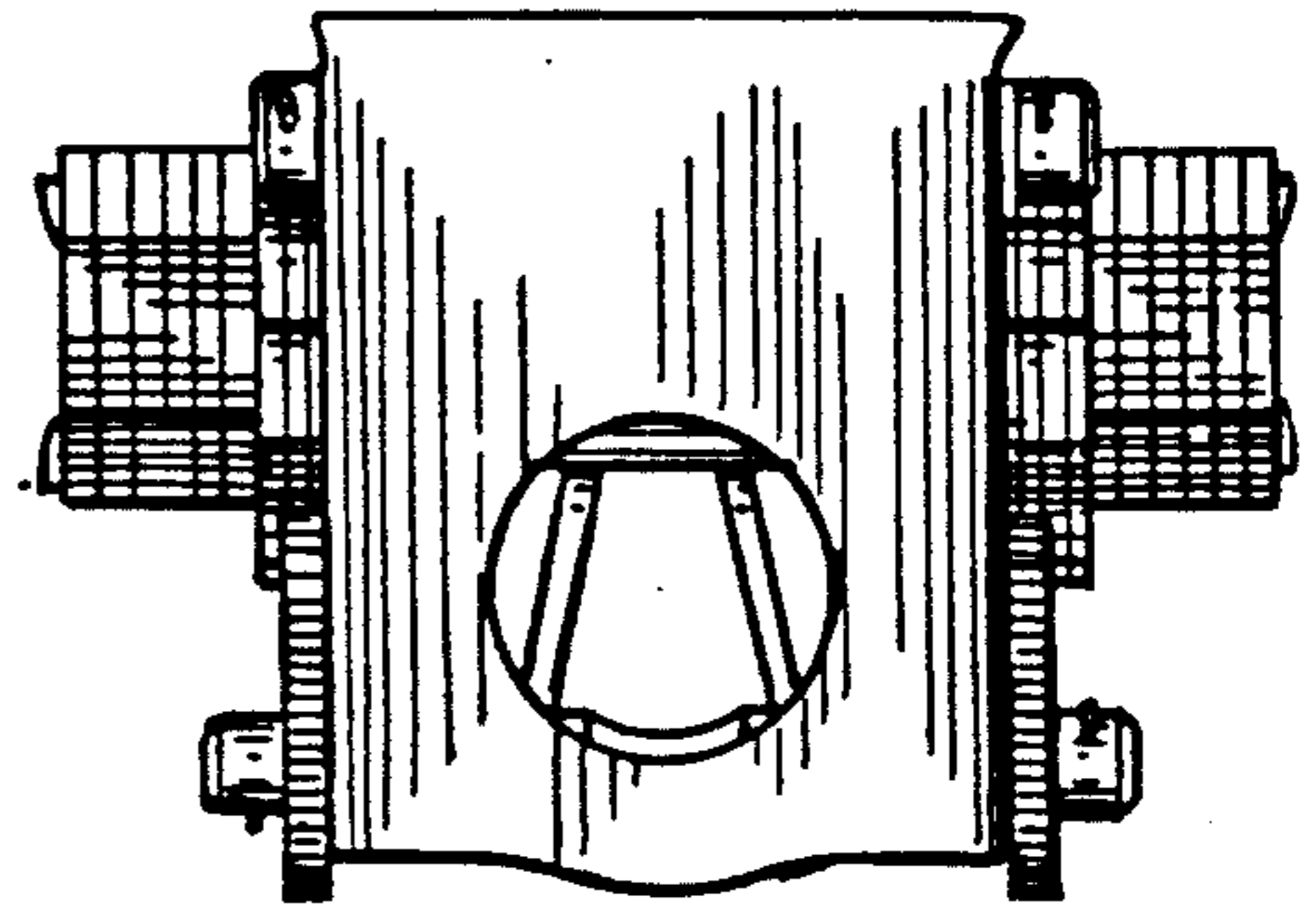


FIG. 2

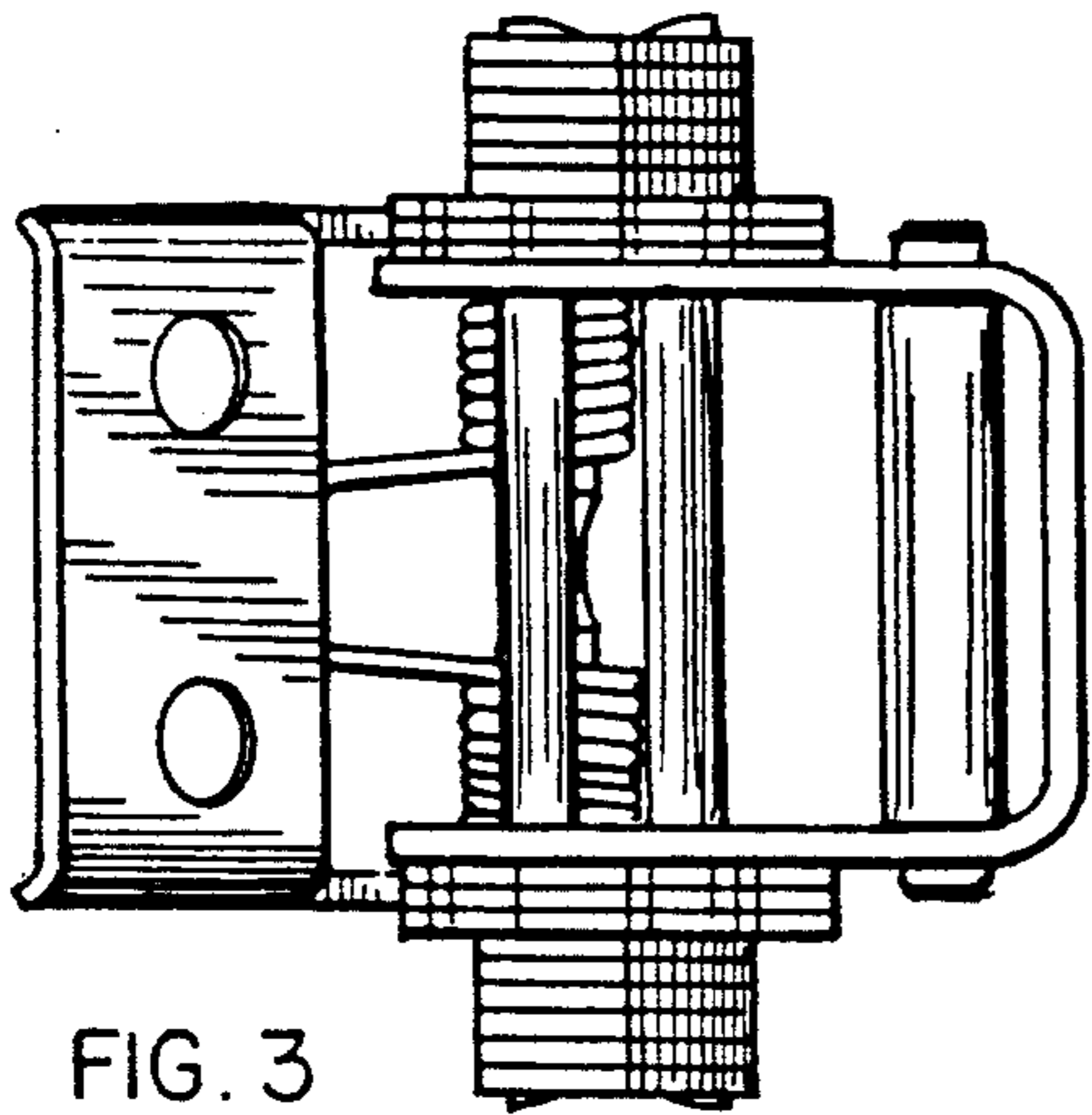


FIG. 3

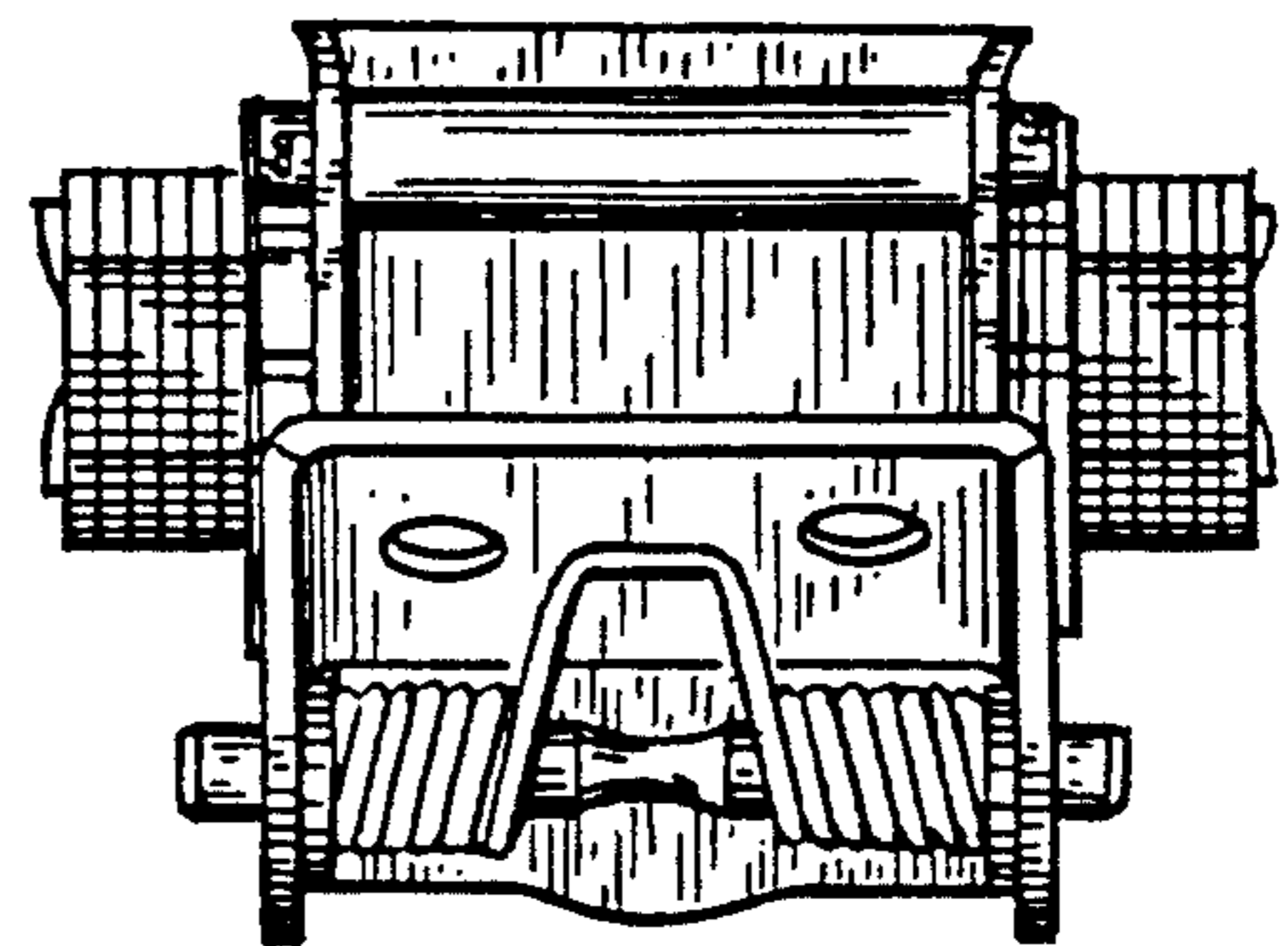


FIG. 4

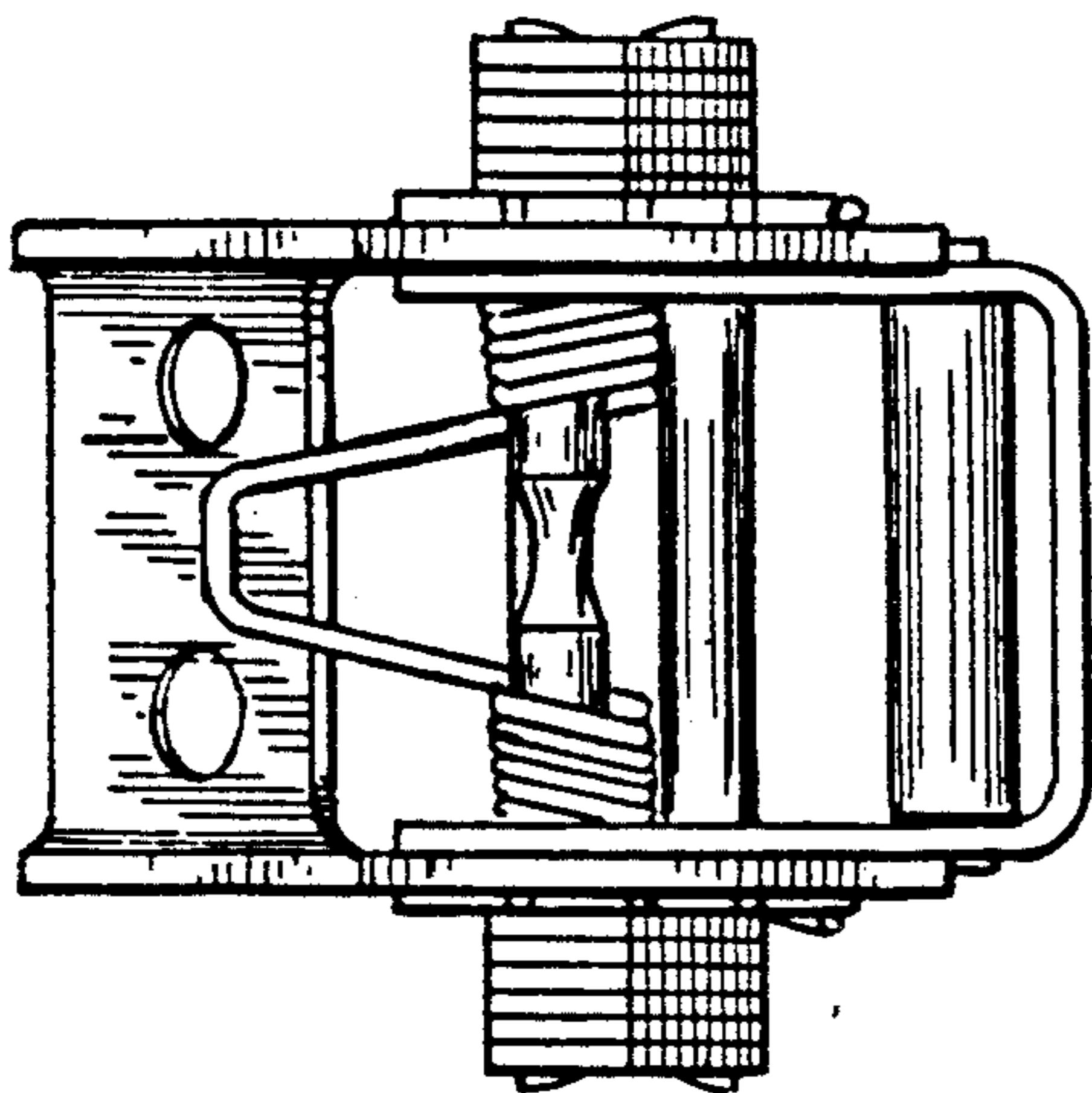


FIG. 5