



US00D346257S

United States Patent [19]

McMillan

[11] Patent Number: Des. 346,257

[45] Date of Patent: ** Apr. 19, 1994

[54] DEVICE TO HELP INSTALL SNOW CHAINS

5,221,380 6/1993 Wilson et al. 254/88

[76] Inventor: Russ McMillan, 15244 Presilla Dr.,
Jamul, Calif. 91935

Primary Examiner—Kay H. Chin
Attorney, Agent, or Firm—Charles C. Logan, II

[**] Term: 14 Years

[57] CLAIM

[21] Appl. No.: 9,422

The ornamental design for a device to help install snow chains, as shown and described.

[22] Filed: Jun. 14, 1993

[52] U.S. Cl. D34/32

[58] Field of Search 254/88, 1; 182/213 R;
248/352; D34/32, 28

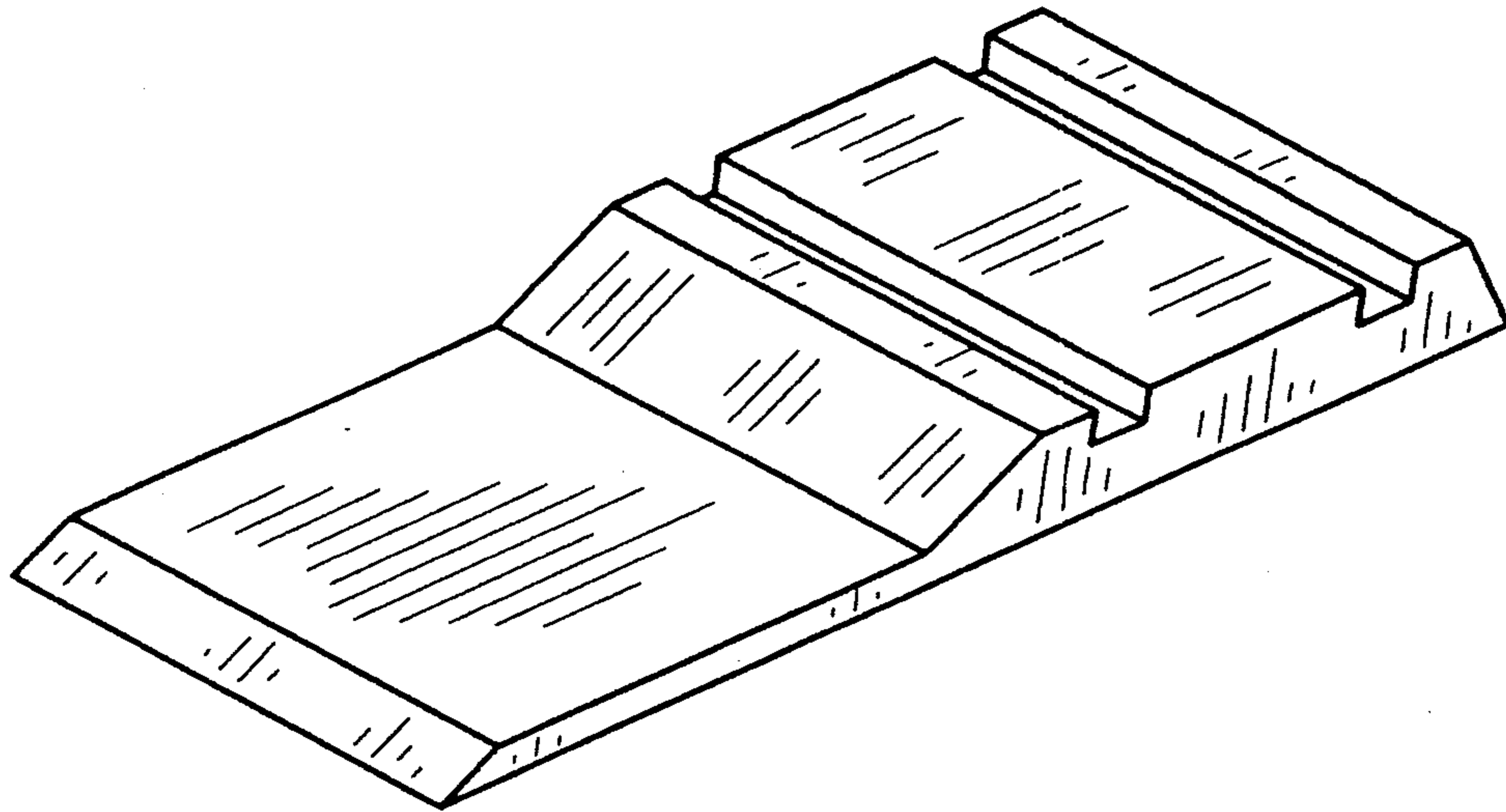
DESCRIPTION

[56] References Cited

U.S. PATENT DOCUMENTS

4,031,939	6/1977	DeMartini	254/88
4,194,724	3/1980	Masegran	254/88
5,219,466	6/1993	Stout	254/88

FIG. 1 is a front perspective view of a device to help install snow chains showing my new design;
 FIG. 2 is a top plan view thereof;
 FIG. 3 is a front elevational view thereof;
 FIG. 4 is a right side elevational view thereof;
 FIG. 5 is a rear elevational view thereof;
 FIG. 6 is a left side elevational view thereof; and,
 FIG. 7 is a bottom plan view thereof.



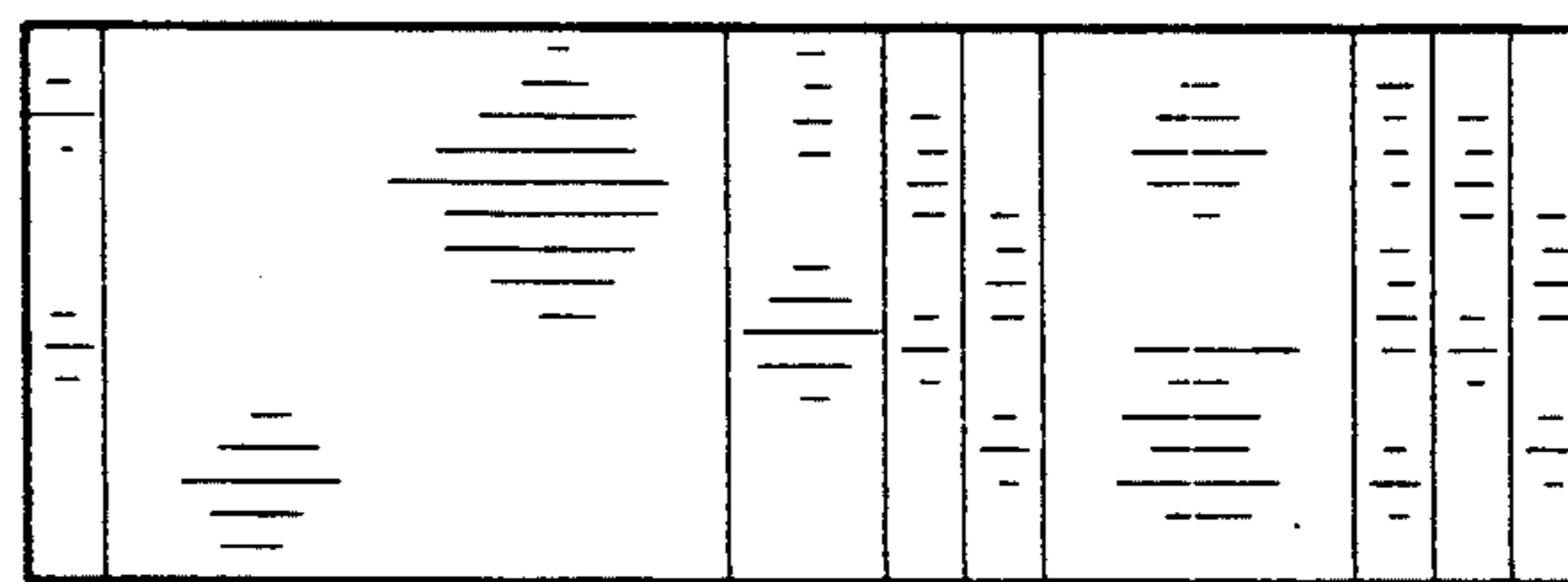
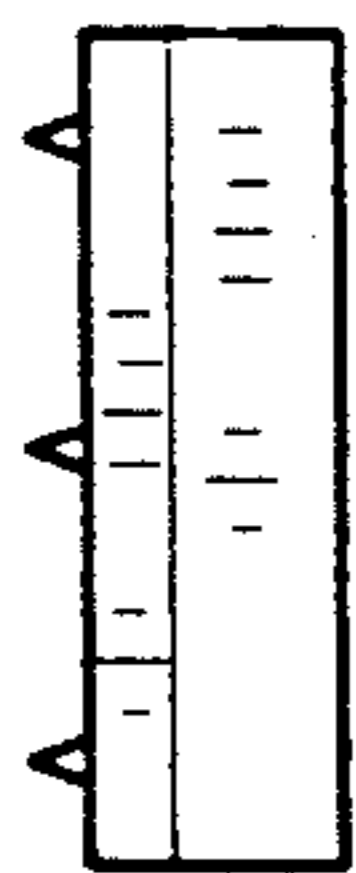
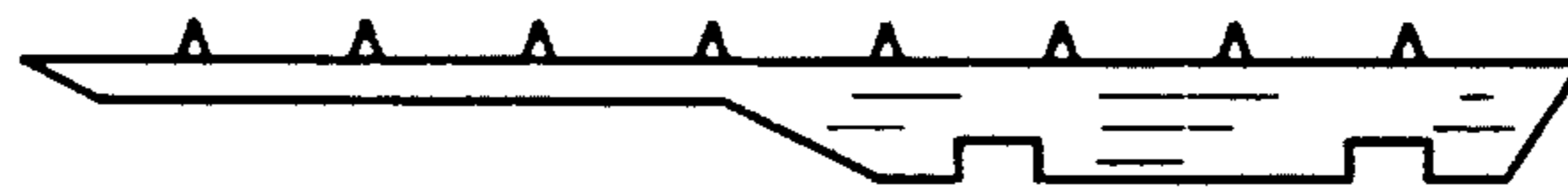
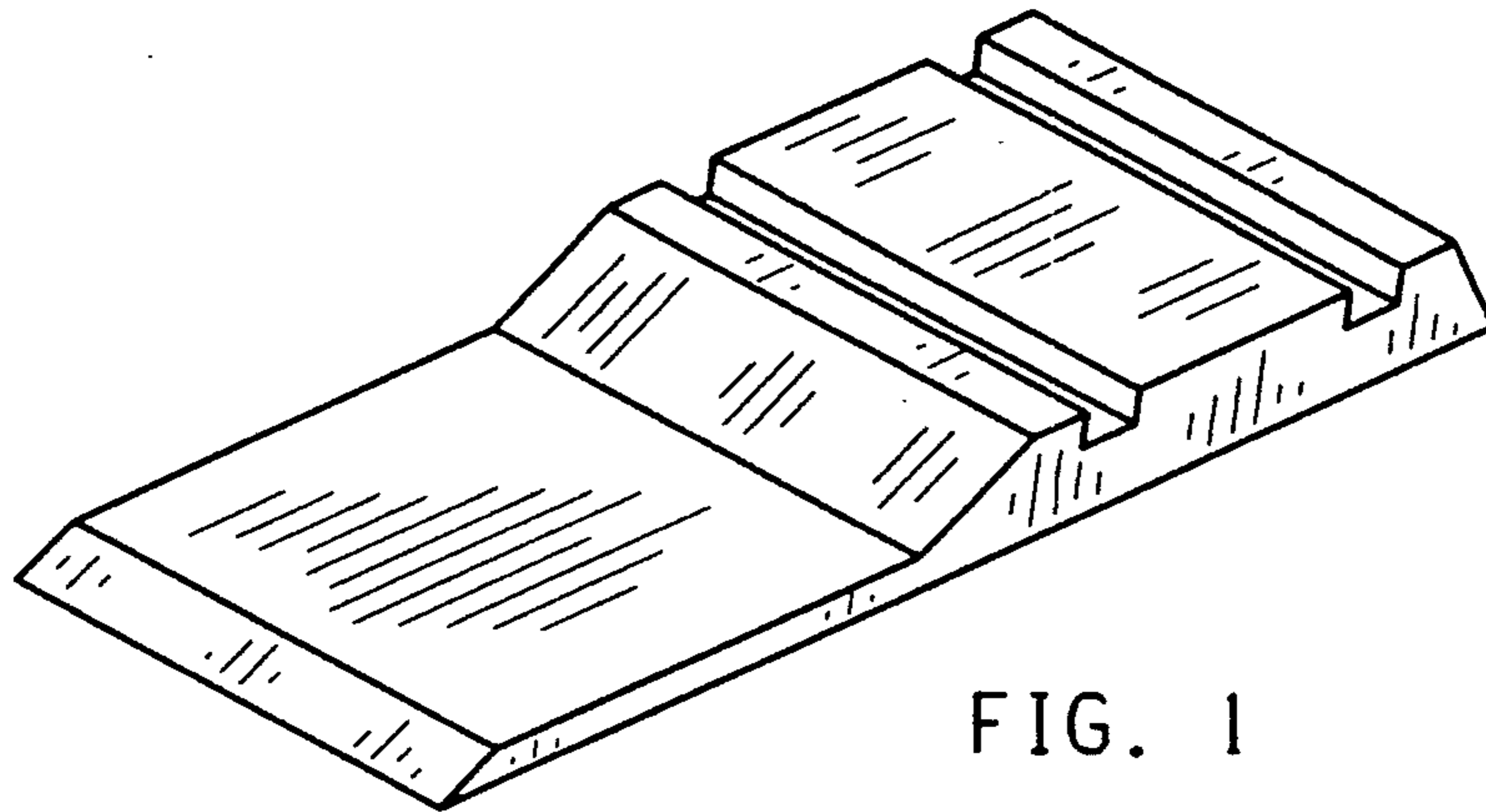


FIG. 5

FIG. 2

FIG. 3



FIG. 4

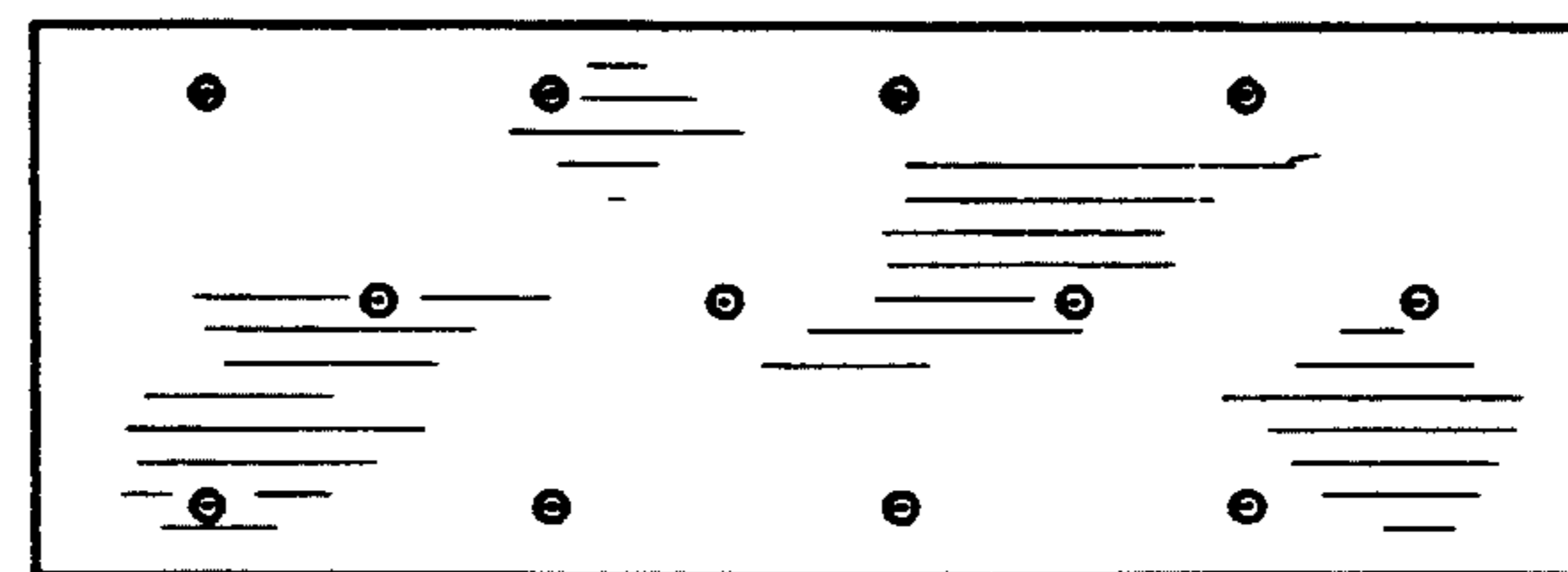


FIG. 7