



US00D346254S

# United States Patent [19]

[11] Patent Number: **Des. 346,254**

Novak

[45] Date of Patent: **\*\* Apr. 19, 1994**

[54] **MULTIPLE USE LIFT**

4,741,414 5/1988 Claassen ..... D34/38

[75] Inventor: **Gregory J. Novak**, Ham Lake, Minn.

*Primary Examiner*—Kay H. Chin  
*Attorney, Agent, or Firm*—Bernhard Kreten

[73] Assignee: **Evans Recycling, Inc.**, Grandy, Minn.

[57] **CLAIM**

[\*\*] Term: **14 Years**

The ornamental design for a multiple use lift, as shown and described.

[21] Appl. No.: **1,927**

**DESCRIPTION**

[22] Filed: **Nov. 25, 1992**

FIG. 1 is a perspective view of a multiple use lift showing my new design, it being understood that the broken lines are for illustrative purposes only and form no part of the claimed design;

[52] U.S. Cl. .... **D34/28; D34/31**

[58] Field of Search ..... 187/18; 212/261;  
254/91, 122; D34/28, 38

FIG. 2 is a top view thereof;

FIG. 3 is a bottom view thereof;

FIG. 4 is a side view thereof; and,

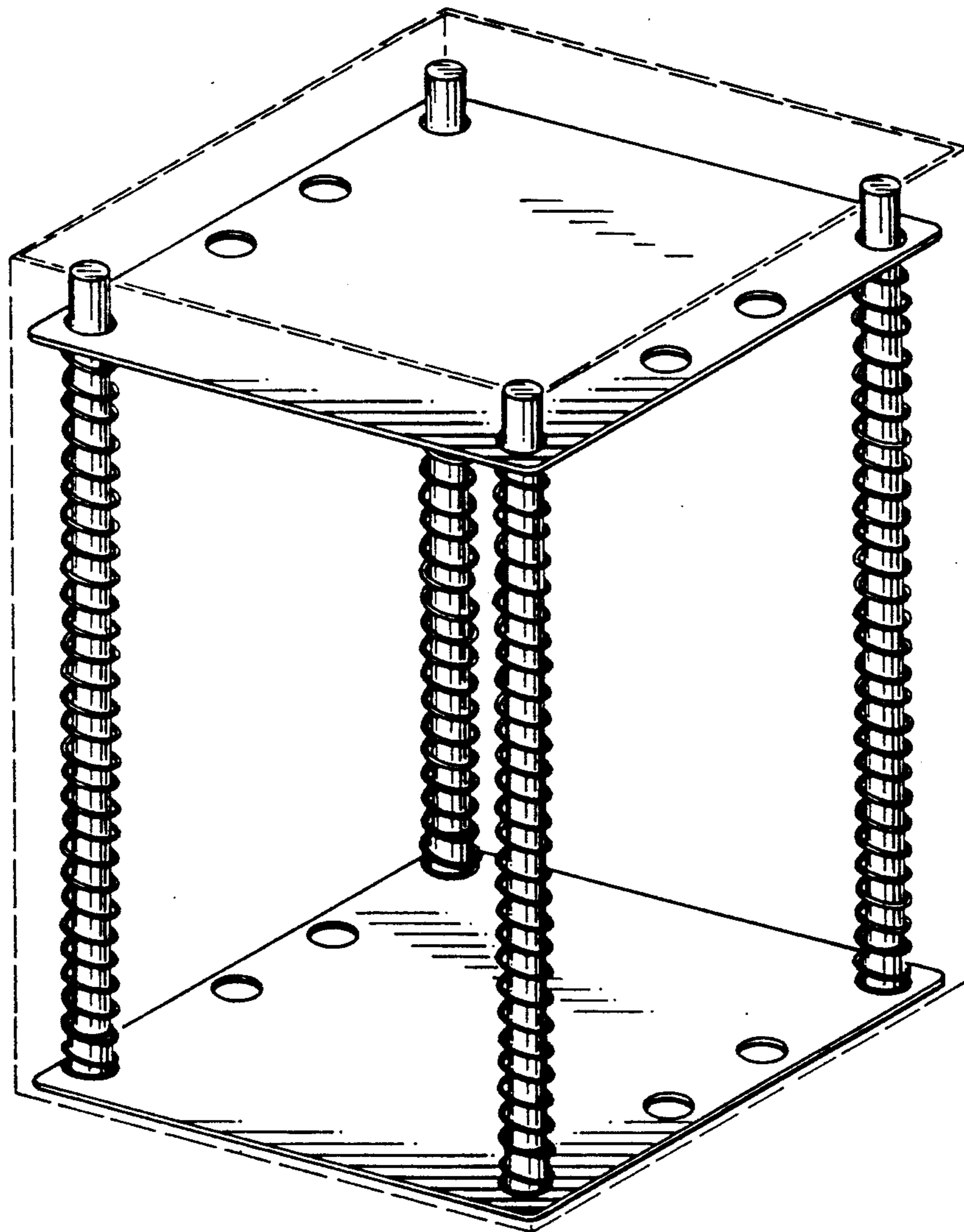
FIG. 5 is an opposite side thereof wherein all four sides are identical.

[56]

**References Cited**

**U.S. PATENT DOCUMENTS**

4,577,821 3/1986 Edmo et al. .... 187/18  
4,692,084 9/1987 Persson ..... 212/261



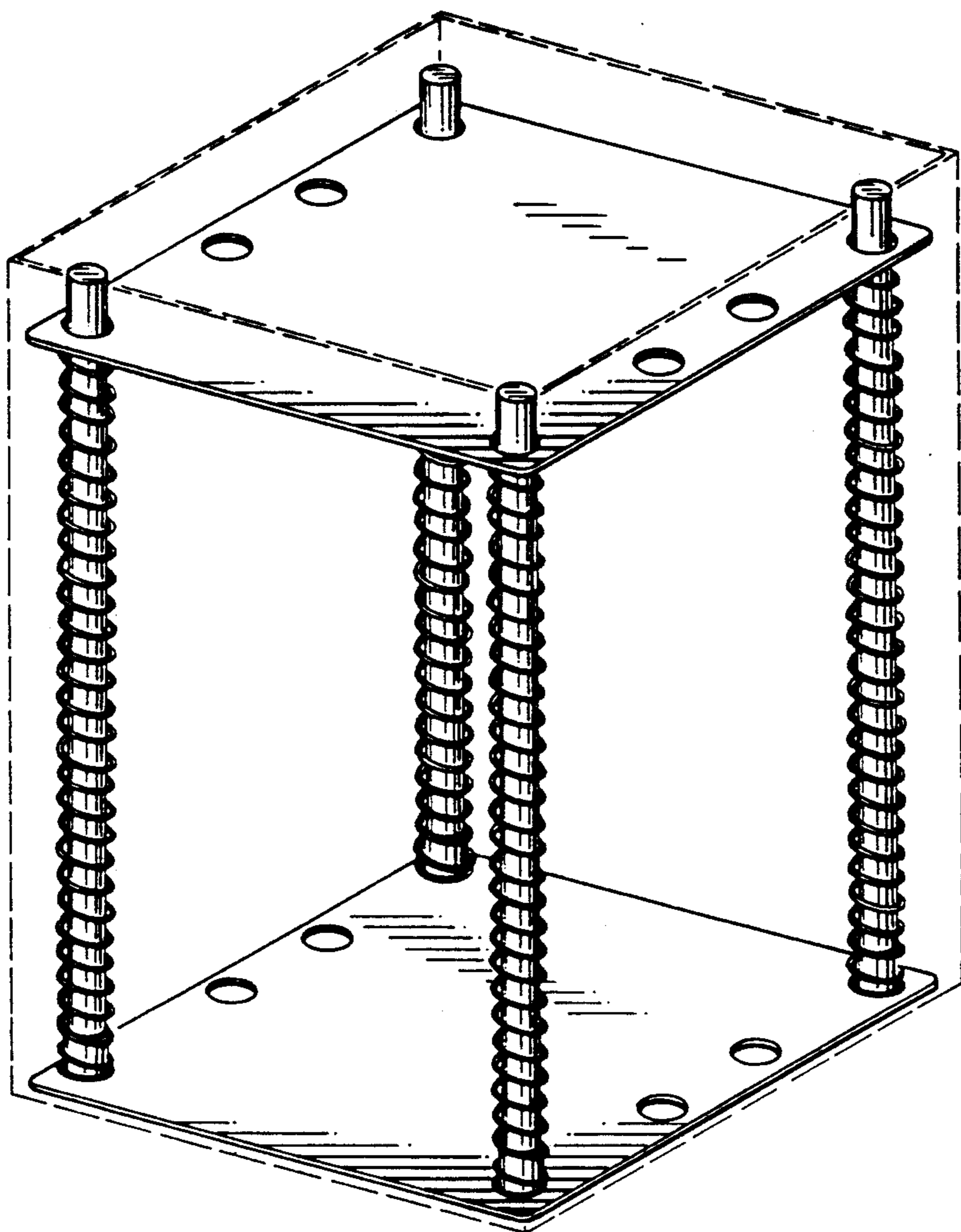


FIG. 1

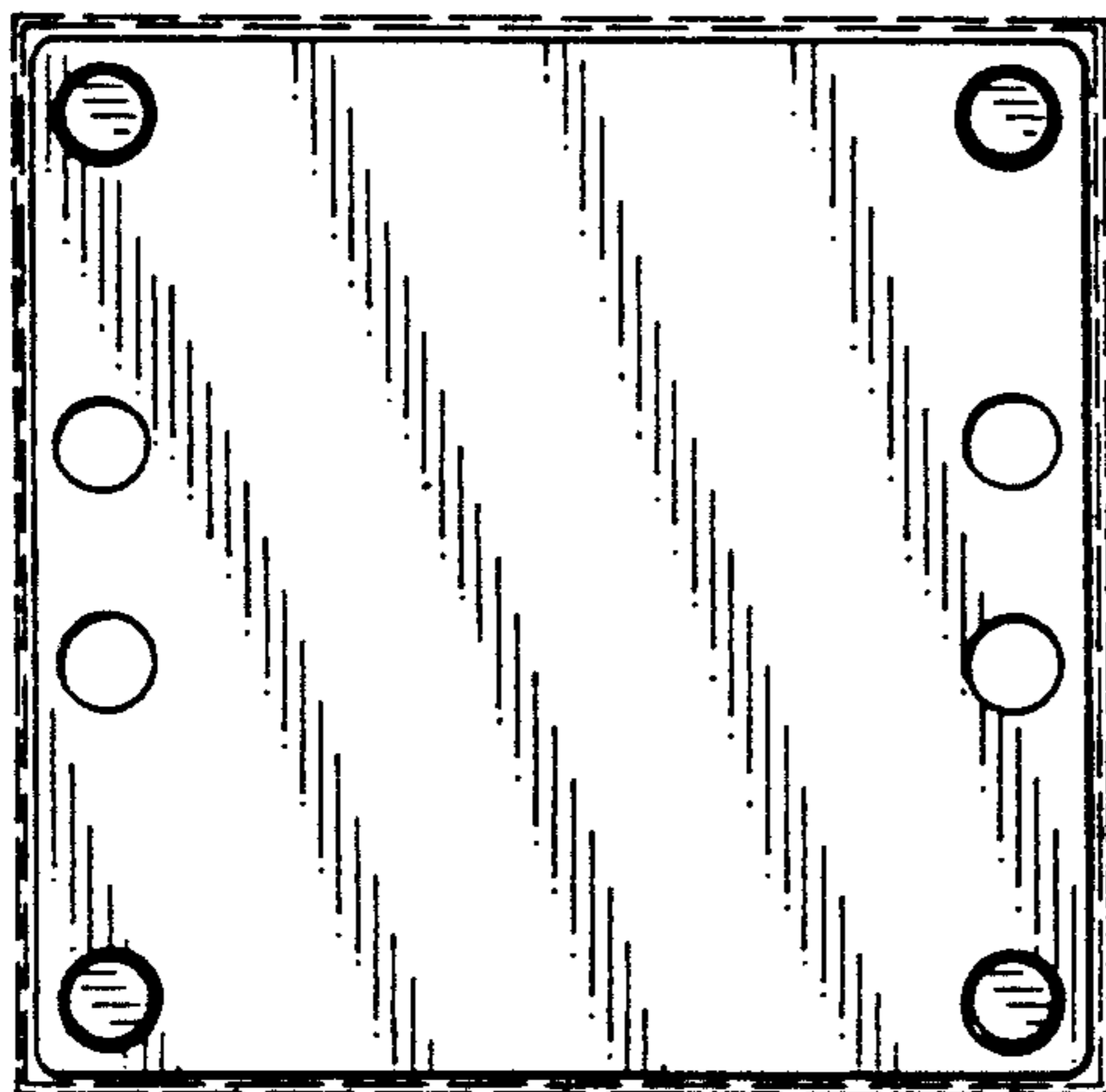


FIG. 2

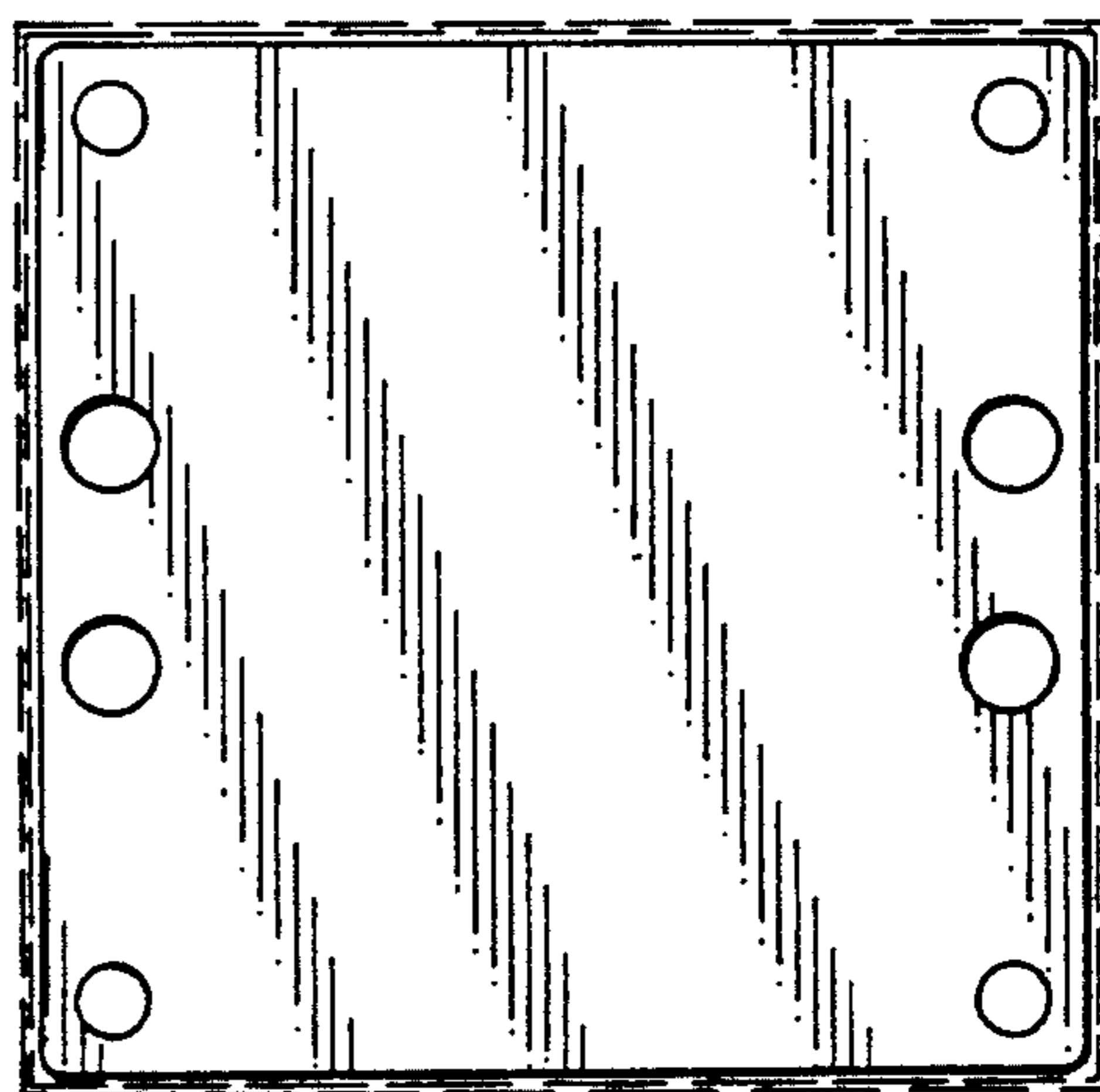


FIG. 3

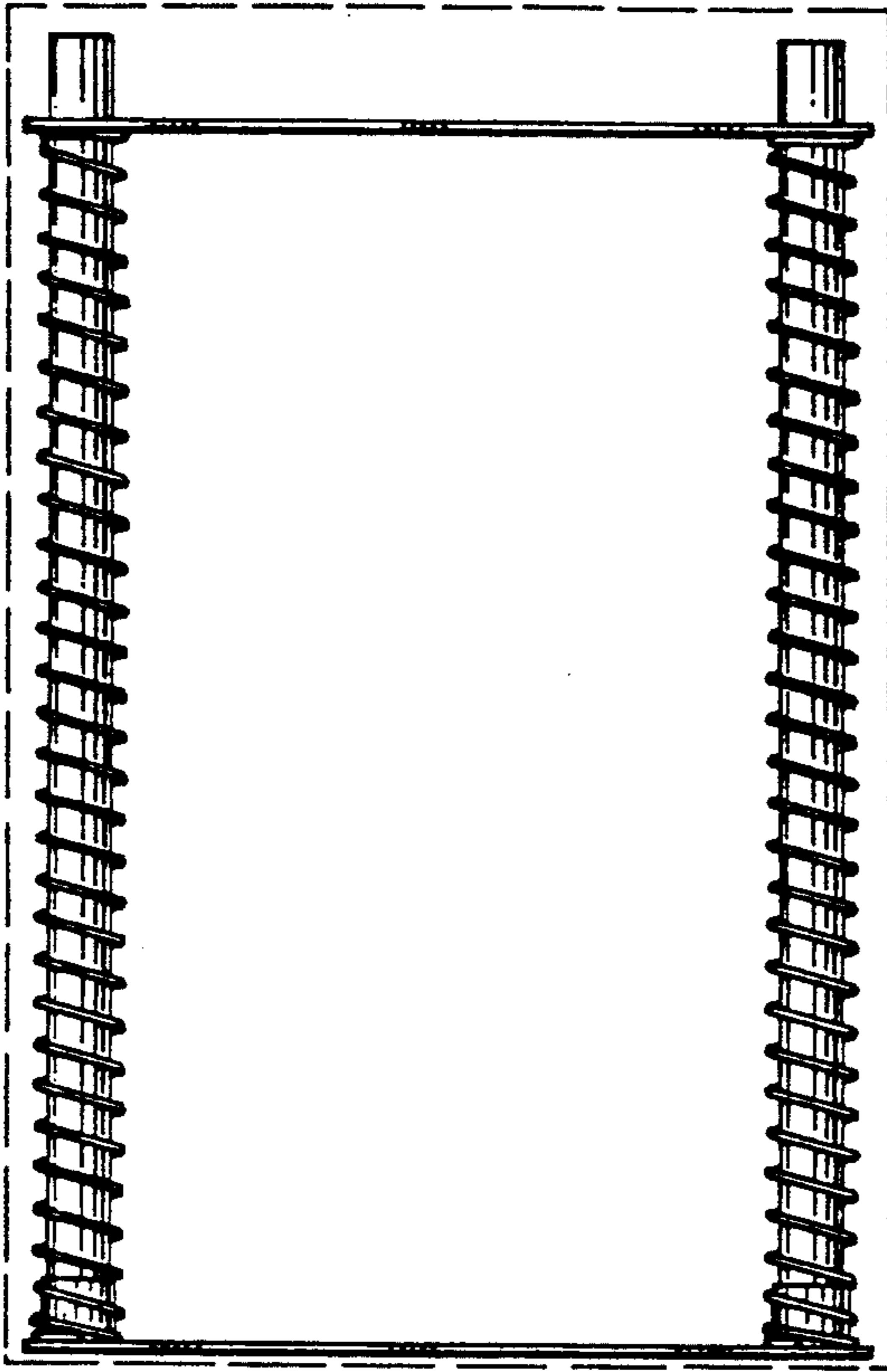


FIG. 4

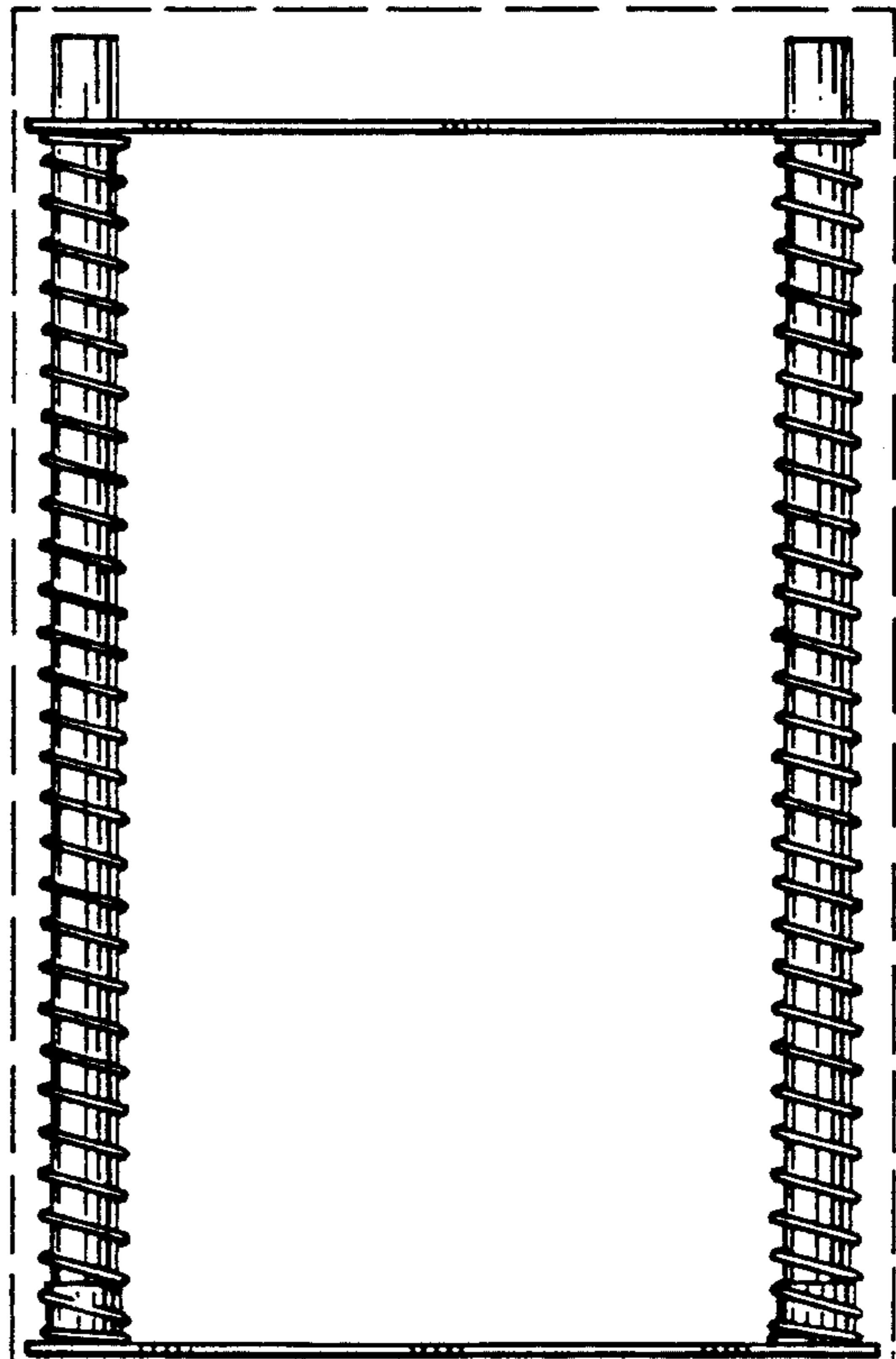


FIG. 5