



US00D346252S

United States Patent [19]

[11] Patent Number: **Des. 346,252**

Jones et al.

[45] Date of Patent: **** Apr. 19, 1994**

[54] **WHEEL DOLLY FOR TRANSPORTING VEHICLES**

5,050,898 9/1991 Petrell, Jr. 280/79.11

[76] Inventors: **Gary W. Jones; Rex A. Jones**, both of 1496 Little Rd., Canton, Ga. 30115

Primary Examiner—Kay H. Chin
Attorney, Agent, or Firm—Harry I. Leon

[**] Term: **14 Years**

[57] **CLAIM**

The ornamental design for a wheel dolly for transporting vehicles, as shown and described.

[21] Appl. No.: **924,245**

DESCRIPTION

[22] Filed: **Aug. 3, 1992**

[52] U.S. Cl. **D34/23; D34/28**

[58] Field of Search 280/79.11, 652, 47.34, 280/47.35; D34/12, 23, 28, 27

FIG. 1 is a side perspective view of a wheel dolly for transporting vehicles wheel, the dolly being shown with its wheels in the forward direction;

FIG. 2 is a top plan view of the dolly;

FIG. 3 is a side elevational view of the dolly showing a brake thereon in its retracted position, a vehicle wheel supported on the dolly being shown in dashed lines;

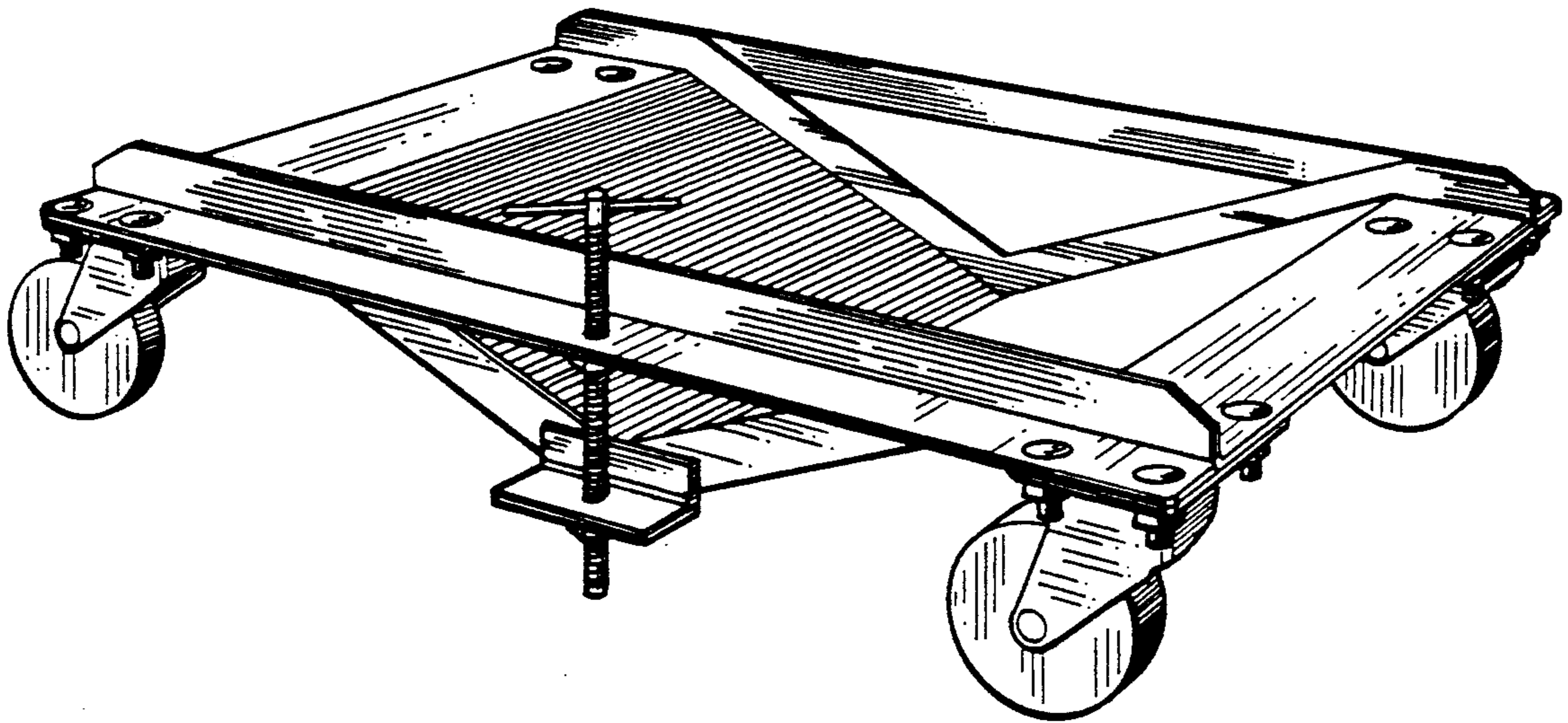
FIG. 4 is a front elevational view of the dolly showing the brake in its locked position; and,

FIG. 5 is a bottom plan view of the dolly, the dolly being shown with its wheels in position for turning.

[56] **References Cited**

U.S. PATENT DOCUMENTS

D. 324,598	3/1992	Clark	D34/12
3,338,591	8/1967	Rowland	280/79.11
4,641,845	2/1987	Hewitt	280/79.11
5,035,445	7/1991	Poulin	280/79.11



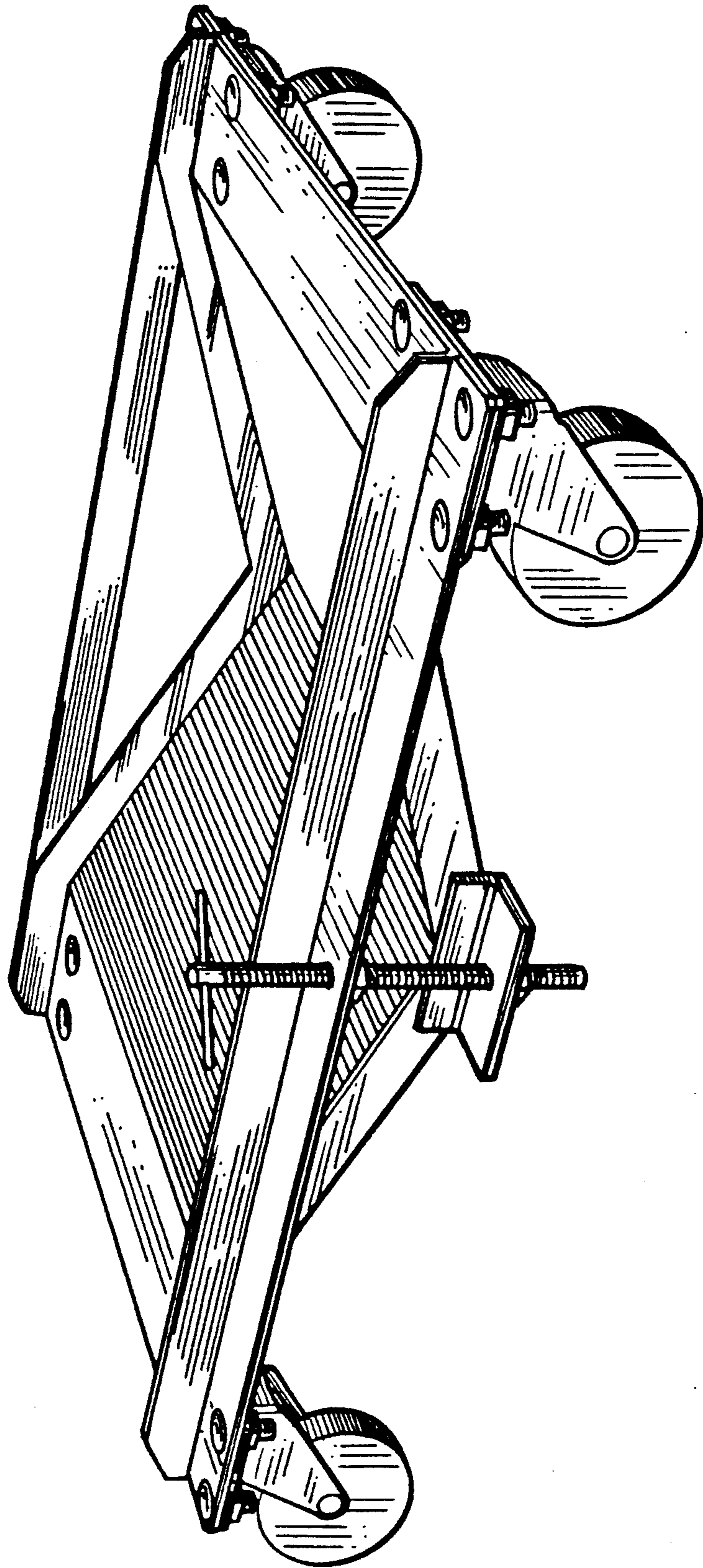


FIG. 1.

FIG. 2.

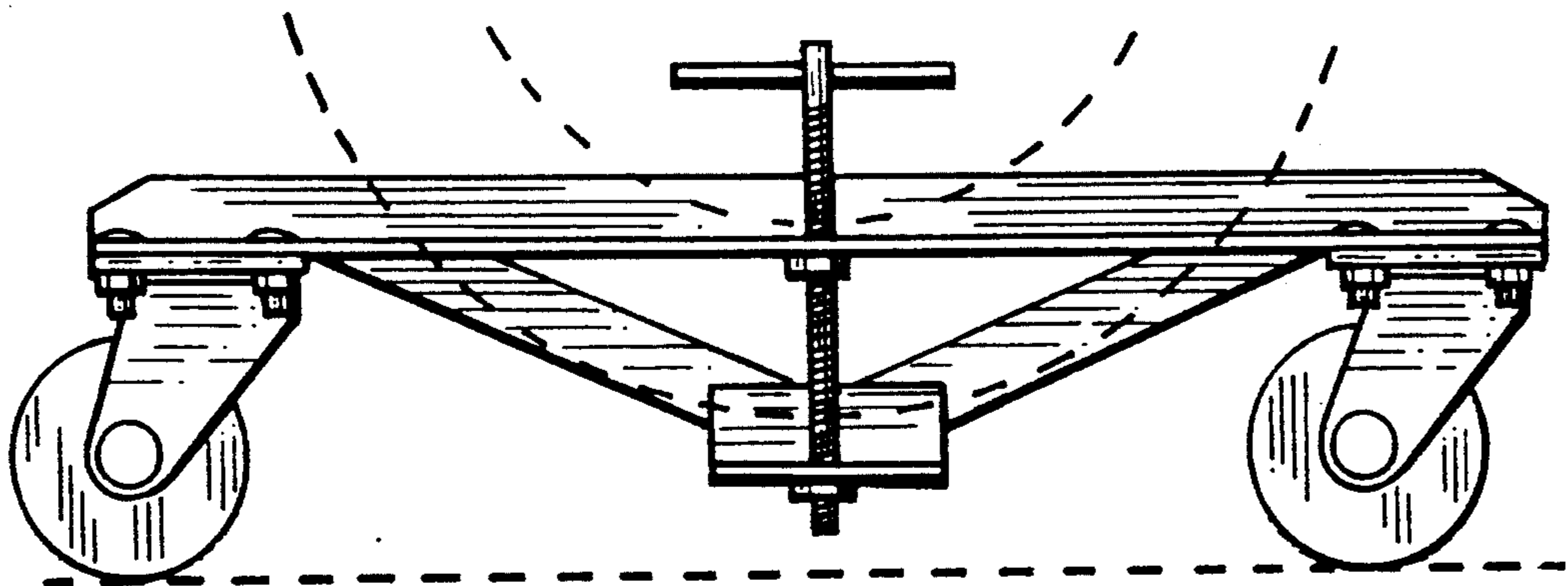
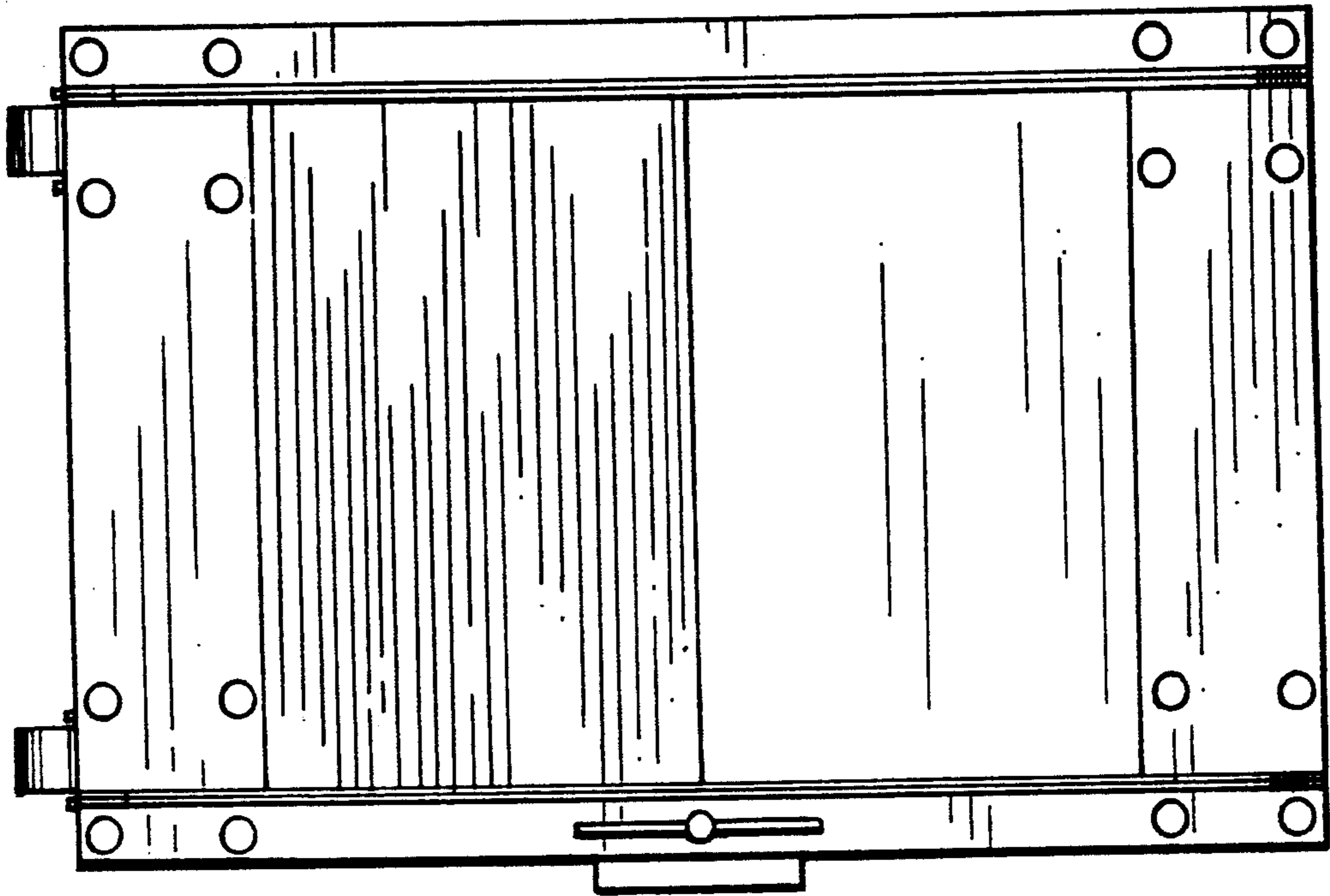


FIG. 3.

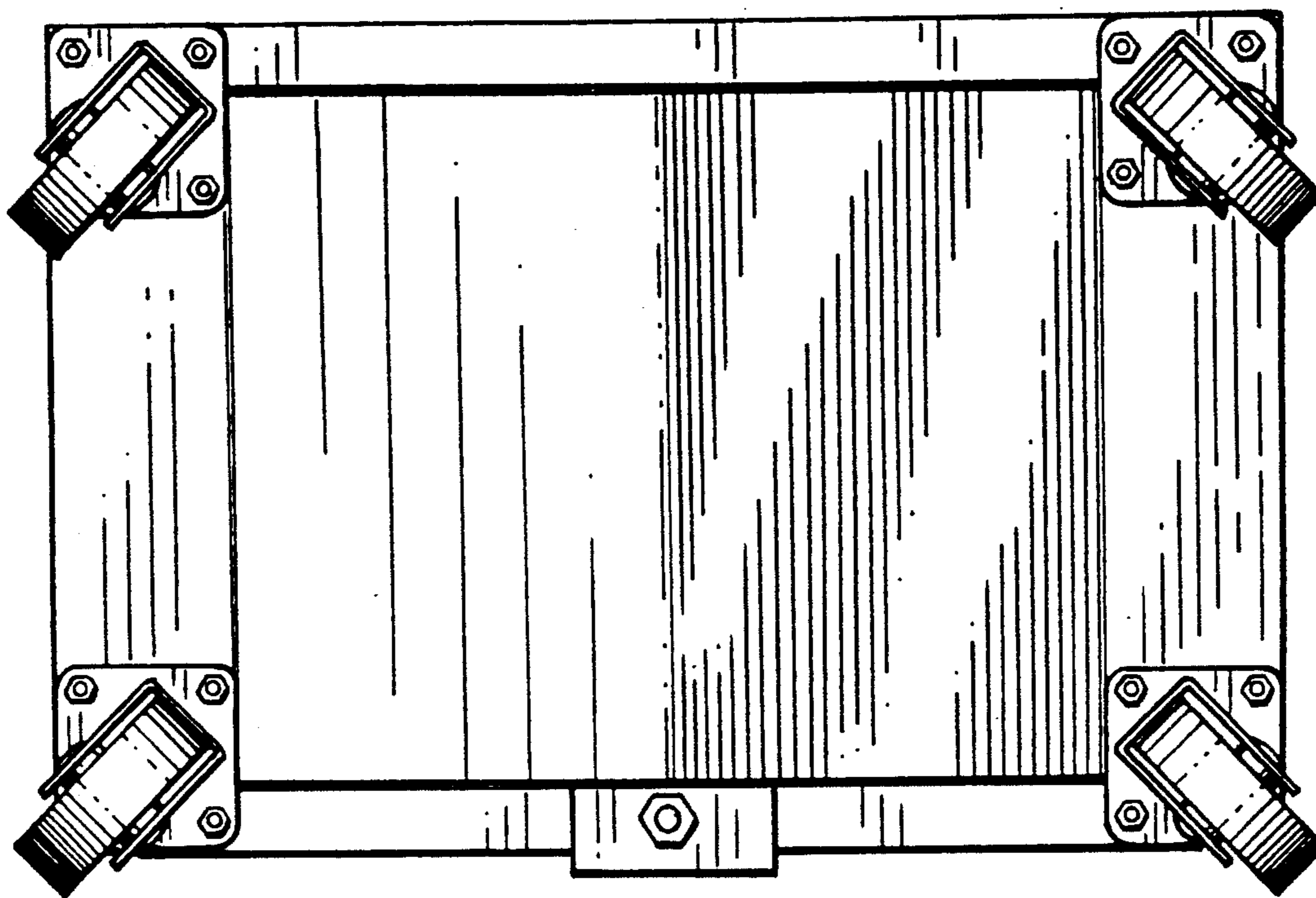


FIG. 5.

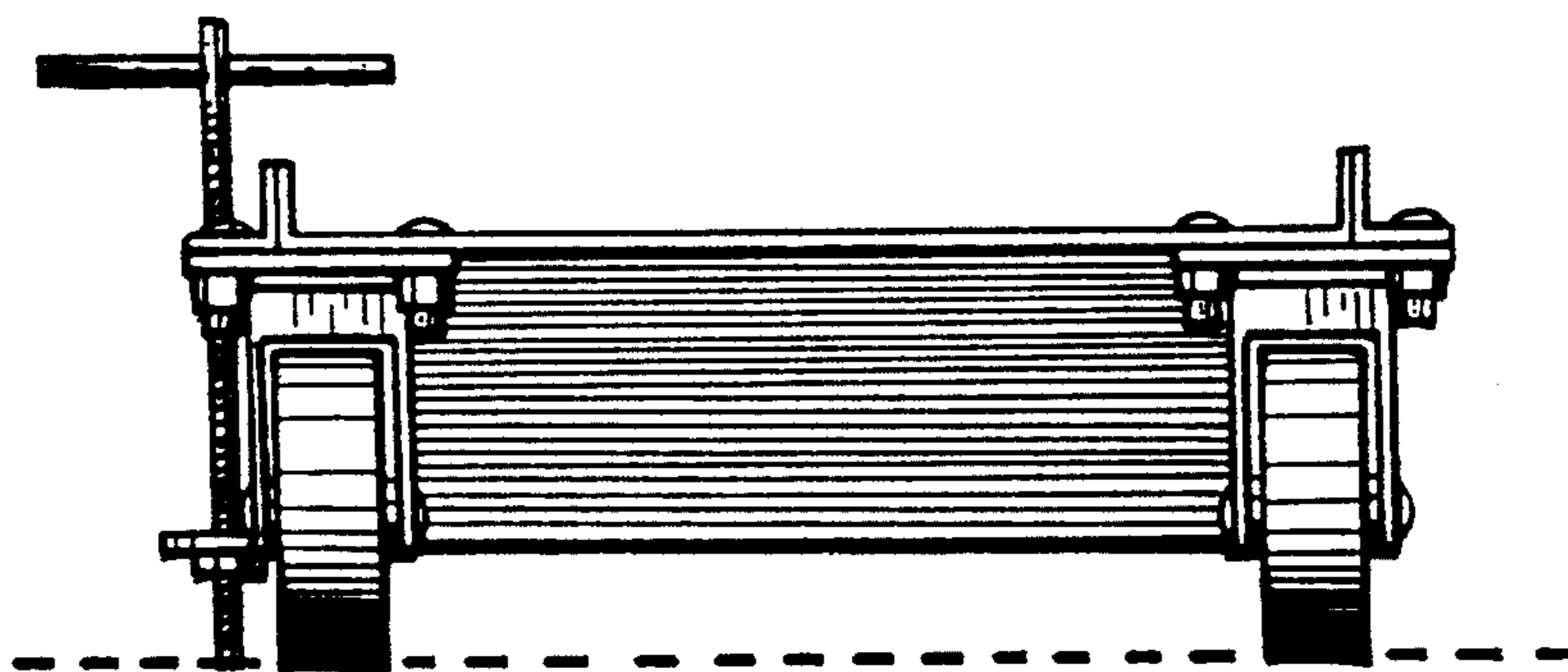


FIG. 4.