



US00D346250S

United States Patent [19]

[11] Patent Number: **Des. 346,250**

Devlin et al.

[45] Date of Patent: **** Apr. 19, 1994**

[54] **HOLDER FOR A PAINT CONTAINER**

4,482,047 11/1984 Ackermann et al. 206/525

[76] Inventors: **James Devlin**, 3205 Panorama, Redding, Calif. 96003; **James L. Surface**, 2066 O'Conner Ave., Redding, Calif. 96001

Primary Examiner—Wallace R. Burke
Assistant Examiner—Robin Taylor

[**] Term: **14 Years**

[57] **CLAIM**

The ornamental design for a holder for a paint container, as shown and described.

[21] Appl. No.: **884,835**

DESCRIPTION

[22] Filed: **May 18, 1992**

[52] U.S. Cl. **D32/54**

[58] Field of Search **D9/455, 435; 15/247, 15/248.1, 264; 206/525; 248/210, 238; D6/532, 533, 536; 220/697-702, 669, 904; D32/54, 53; D11/152**

FIG. 1 is a side view of a holder for a paint container showing our new design; with all remaining sides thereof appearing the same;

FIG. 2 is a top plan view thereof;

FIG. 3 is a bottom plan view thereof;

FIG. 4 is a cross sectional side view thereof; and,

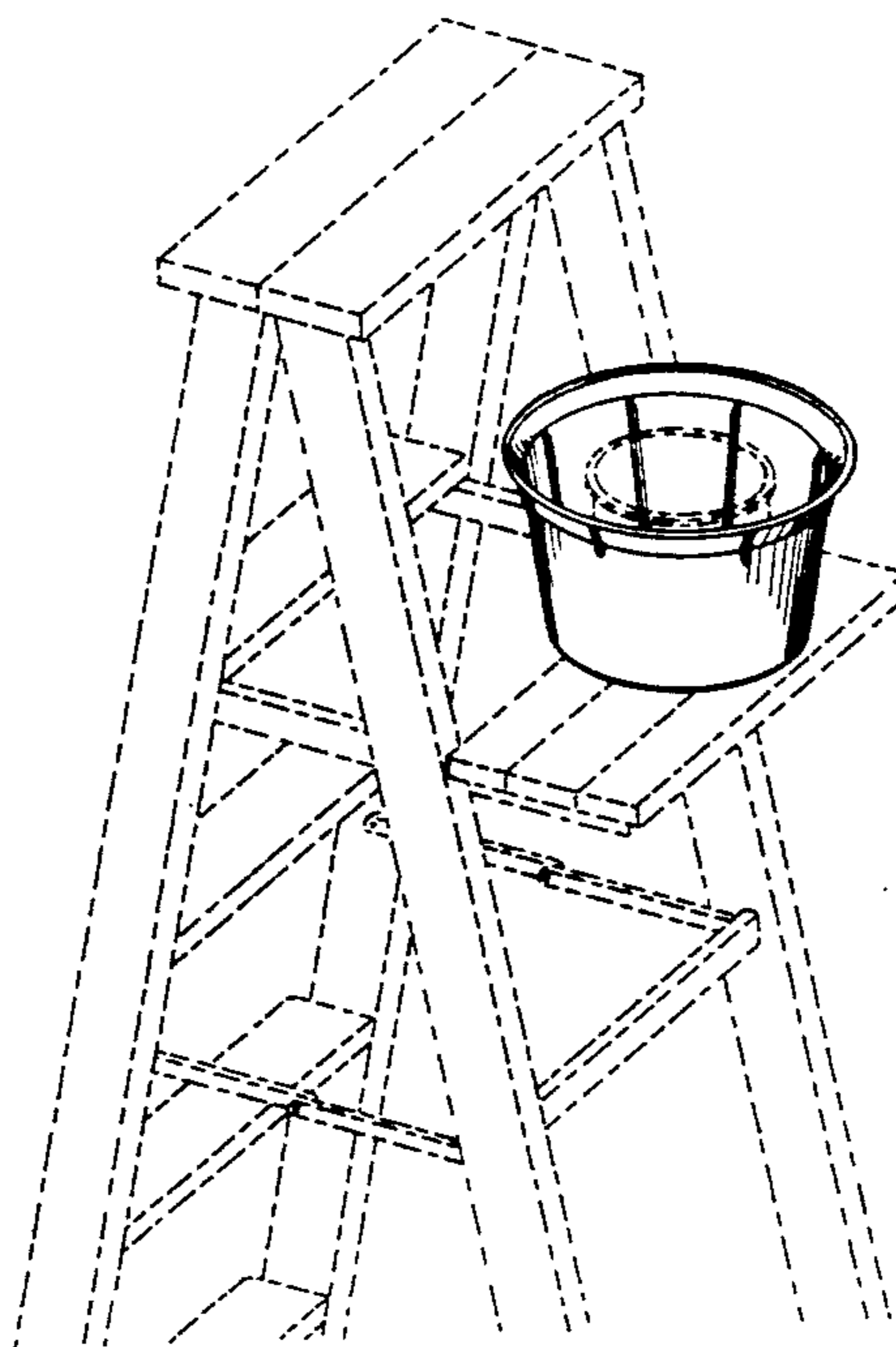
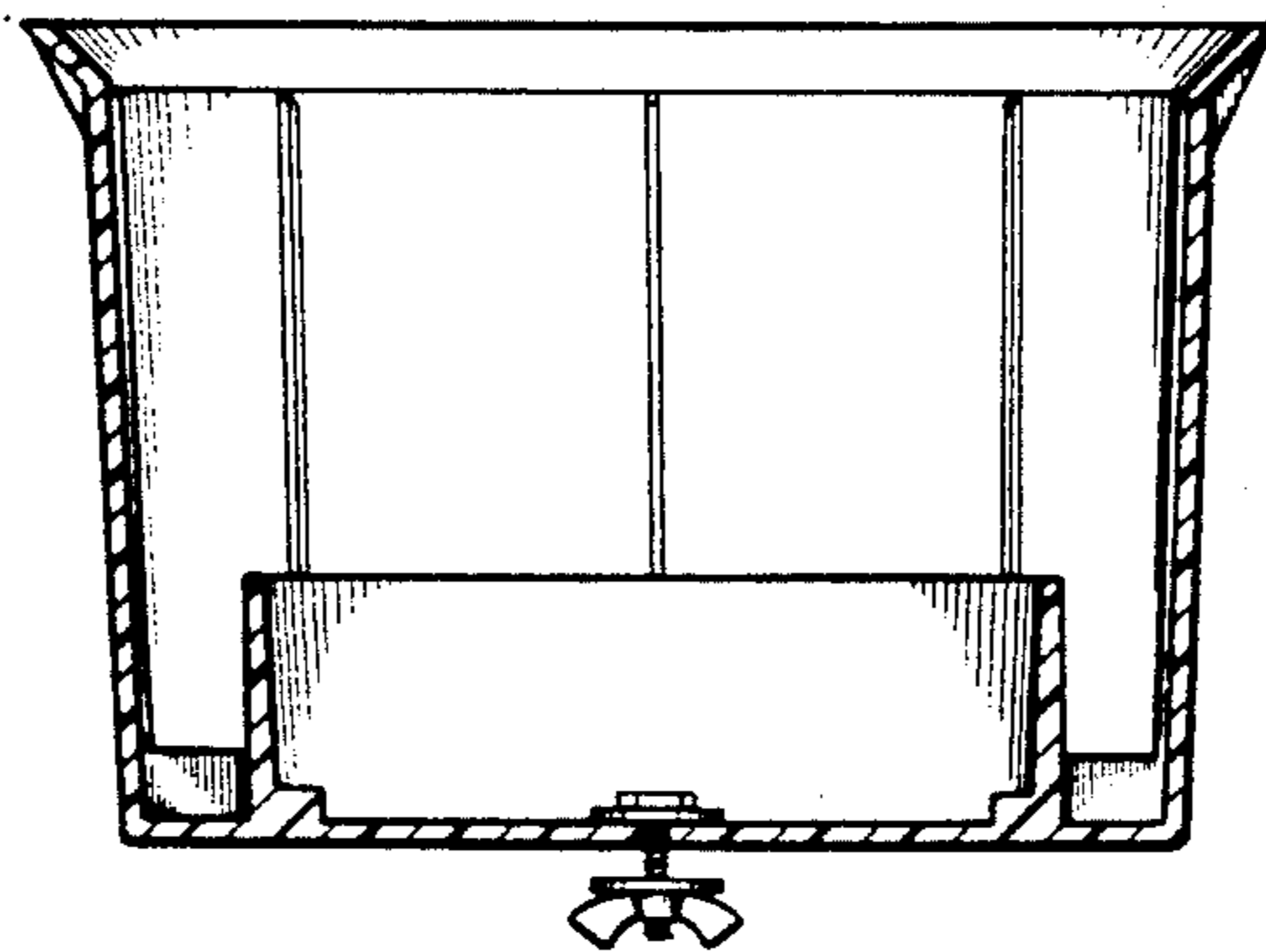
FIG. 5 is a top perspective view of our new design as it would appear in use on a step ladder.

The broken line portions of the drawings are for illustrative purposes only and form no part of the claimed design.

[56] **References Cited**

U.S. PATENT DOCUMENTS

1,221,658 4/1917 Berry 248/210
2,912,205 11/1959 Towne 248/210



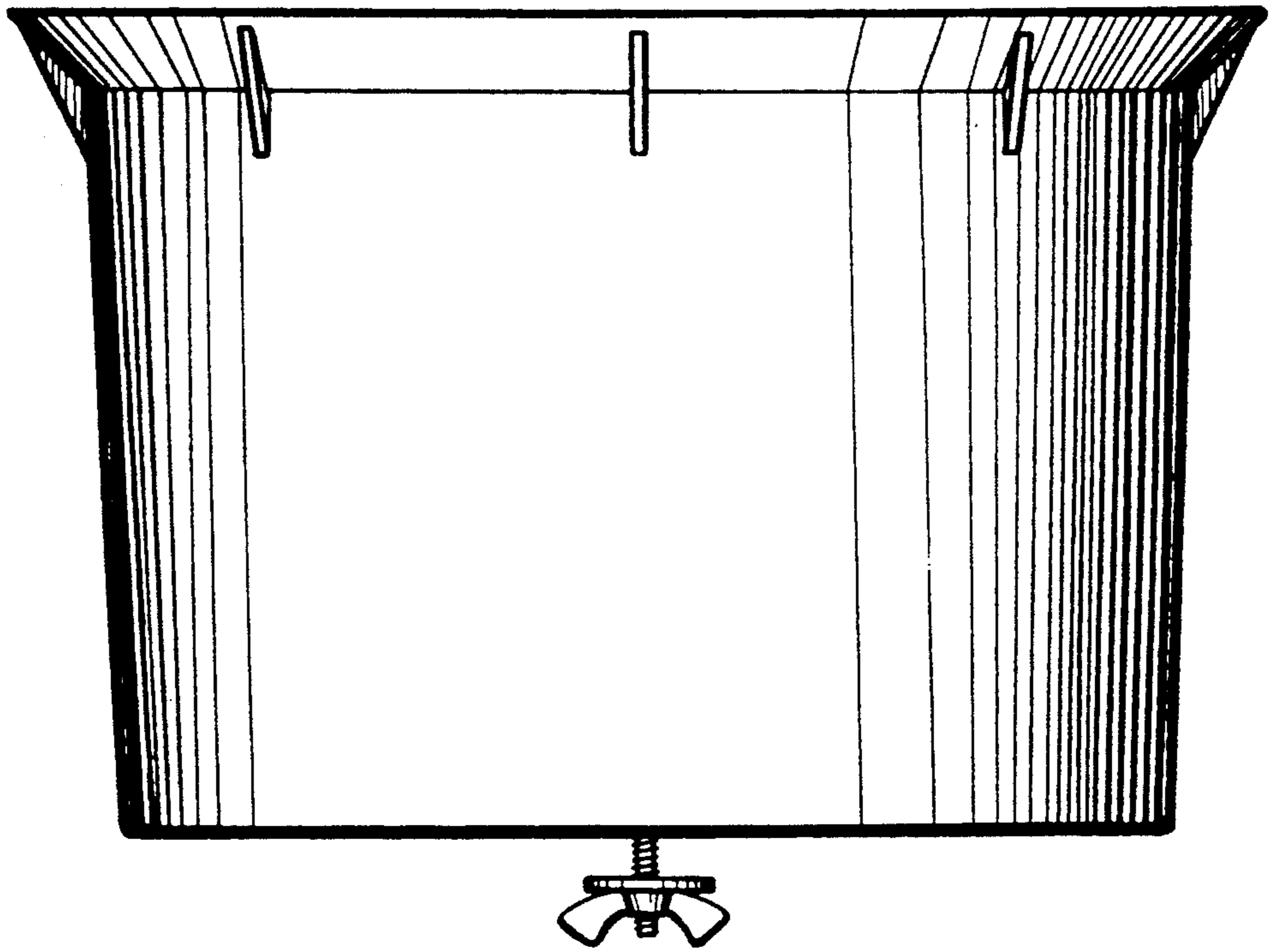


FIG. 1

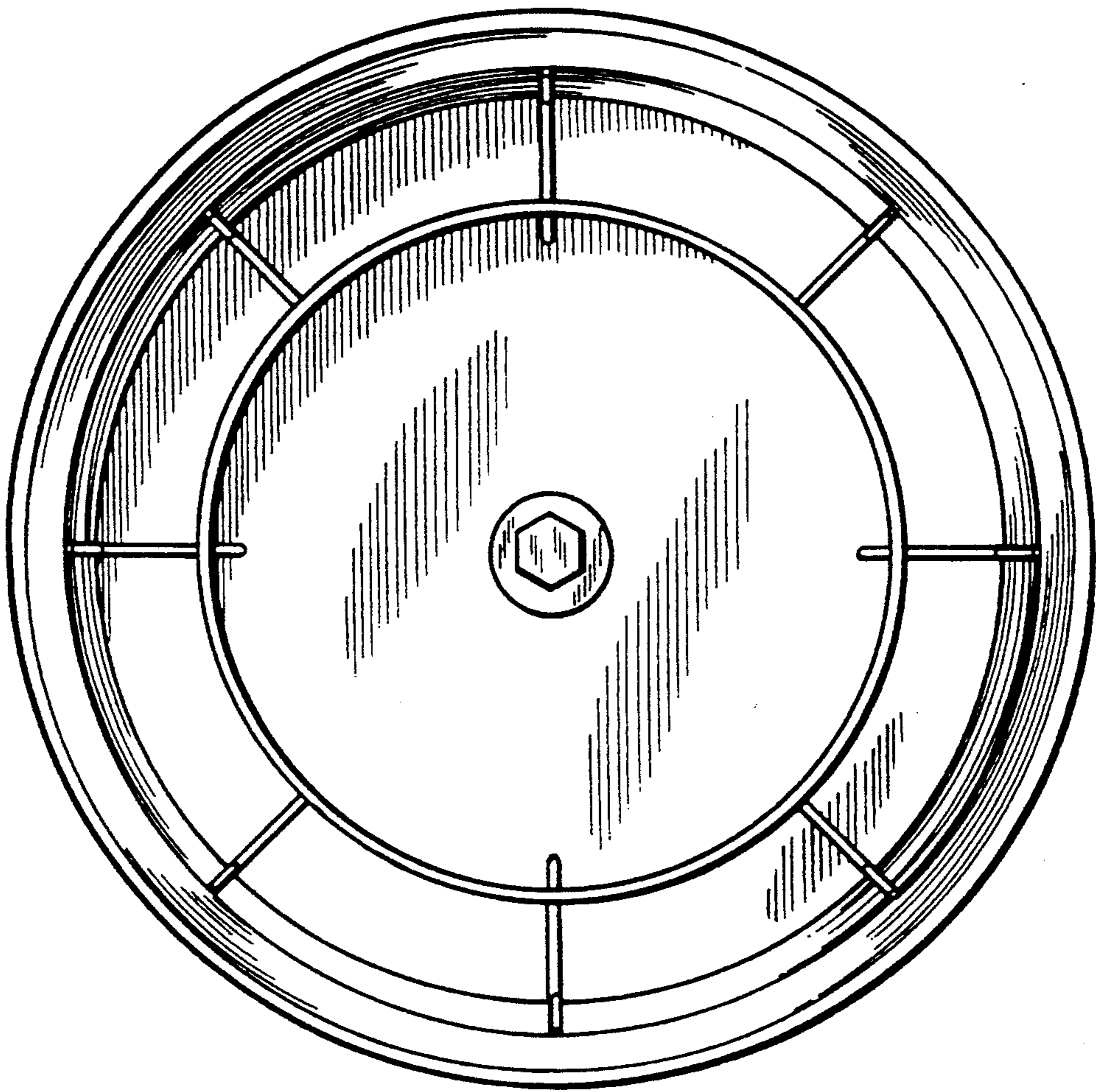


FIG. 2

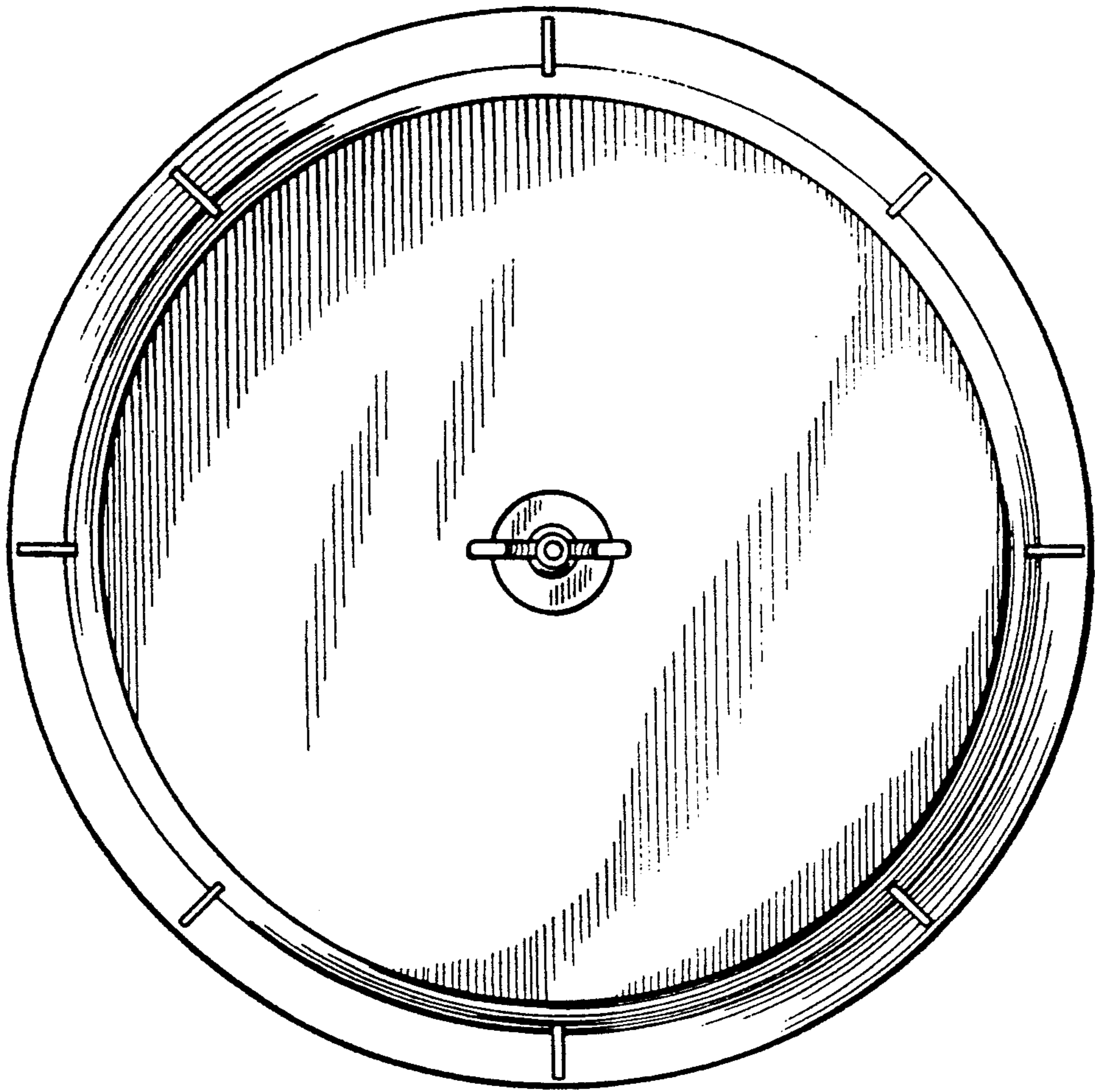


FIG. 3

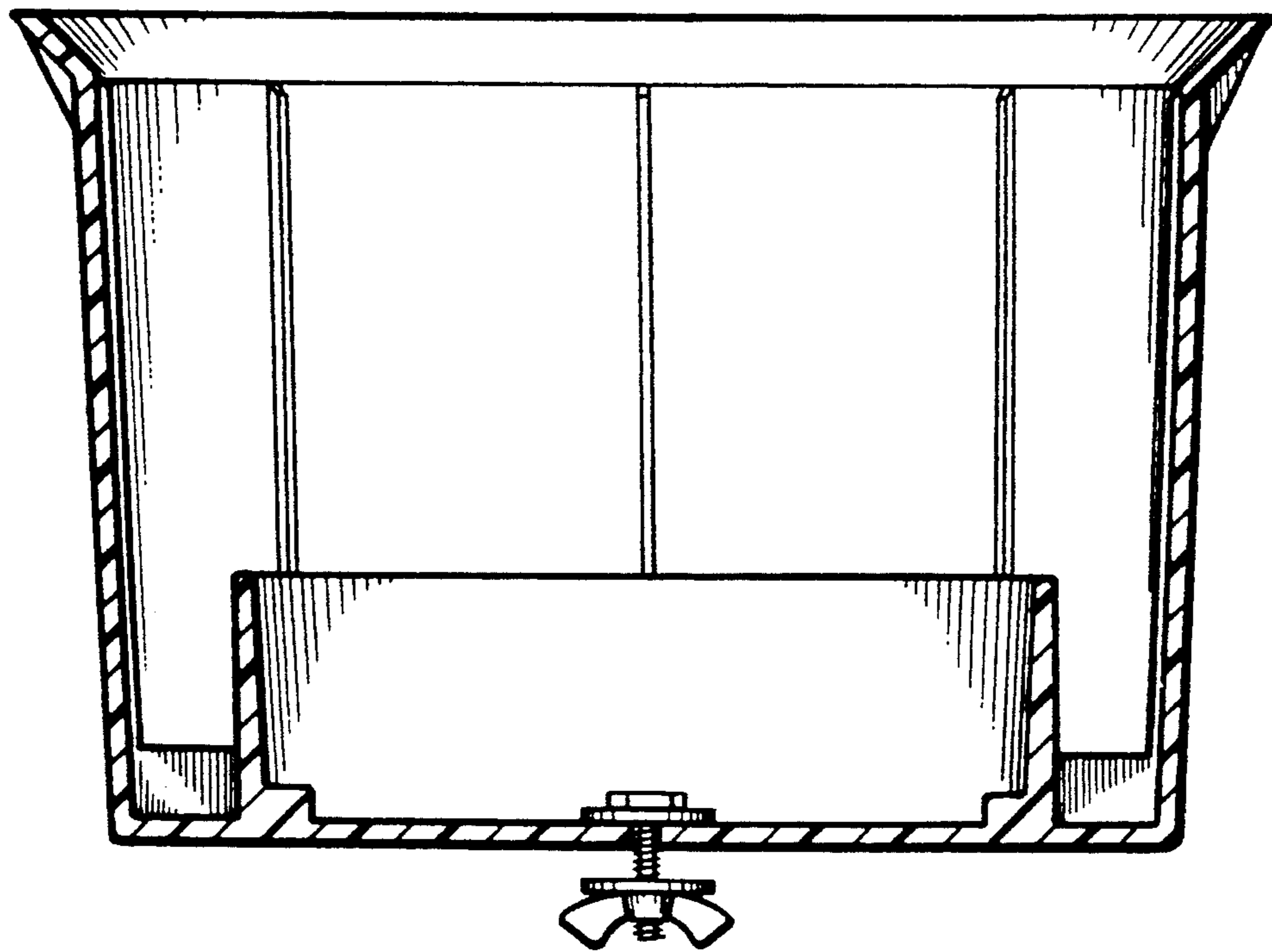


FIG. 4

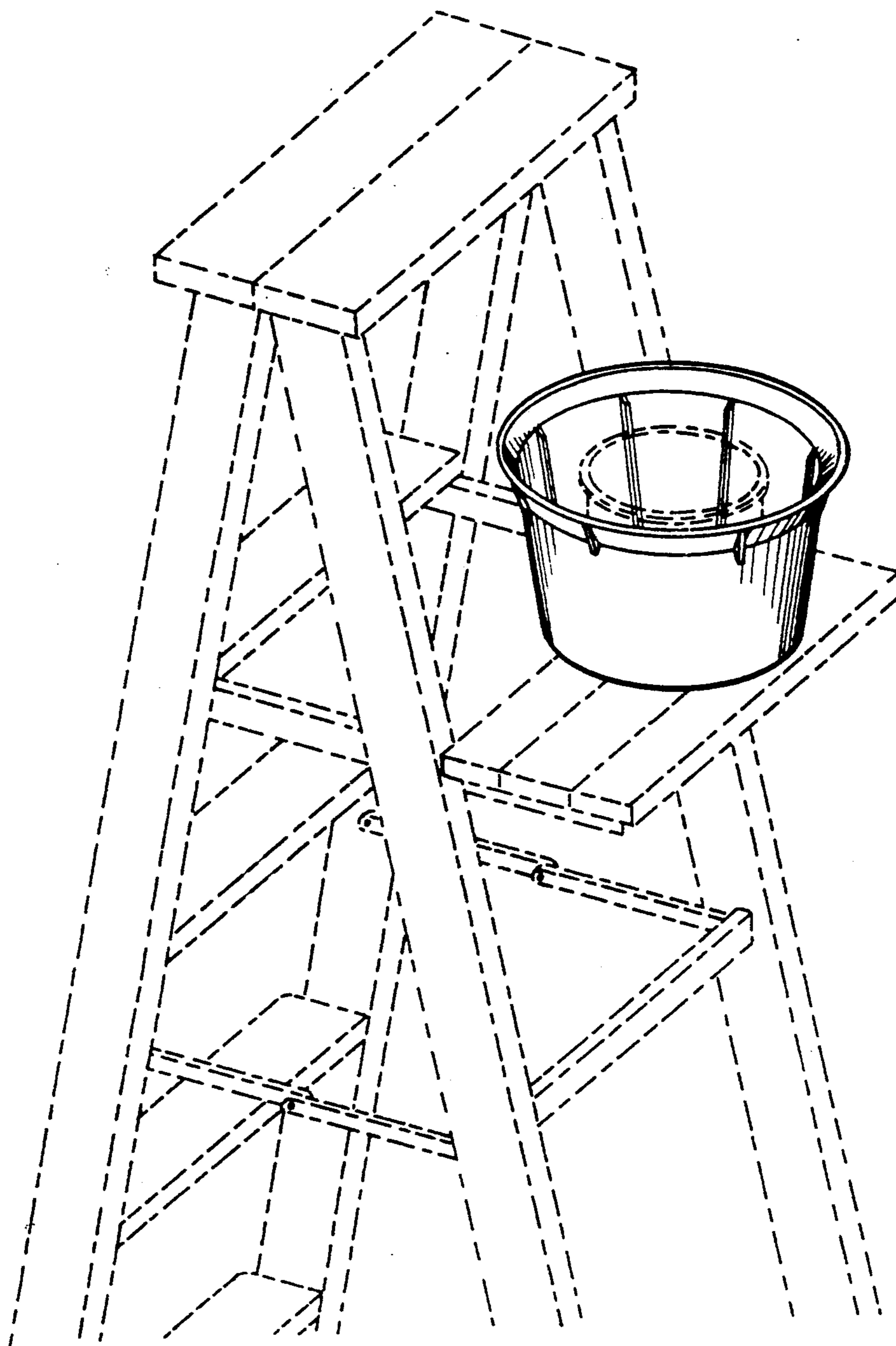


FIG. 5