



US00D346247S

United States Patent [19]

[11] Patent Number: **Des. 346,247**

Furcron et al.

[45] Date of Patent: **** Apr. 19, 1994**

[54] **CLEANING DEVICE**

[75] Inventors: **Kent J. Furcron; Gary A. Miller**, both of Bristol, Va.; **Ricky A. Owens**, Bristol, Tenn.; **John W. Walch**, Abingdon, Va.; **Mark D. Dziersk**, Simsbury, Conn.

[73] Assignee: **TRC Acquisition Corporation**

[*] Notice: The portion of the term of this patent subsequent to Apr. 5, 2008 has been disclaimed.

[**] Term: **14 Years**

[21] Appl. No.: **730,293**

[22] Filed: **Jul. 15, 1991**

[52] U.S. Cl. **D32/22**

[58] Field of Search 15/320, 321, 323-326, 15/327.6, 335, 339, 350-351, 353, 354-355, 358, 377-378, 412, 415 R, 361; D32/21-22, 32-34

[56] **References Cited**

U.S. PATENT DOCUMENTS

D. 287,894 1/1987 Watkins et al. D32/22

D. 288,016 1/1987 Watkins et al. D32/22
D. 293,729 1/1988 Soeffker et al. D32/22
4,558,484 12/1985 Groth 15/320
4,559,665 12/1985 Fitzwater 15/339
4,566,149 1/1986 Fitzwater 15/320
4,709,442 12/1987 Sletten, II 15/320

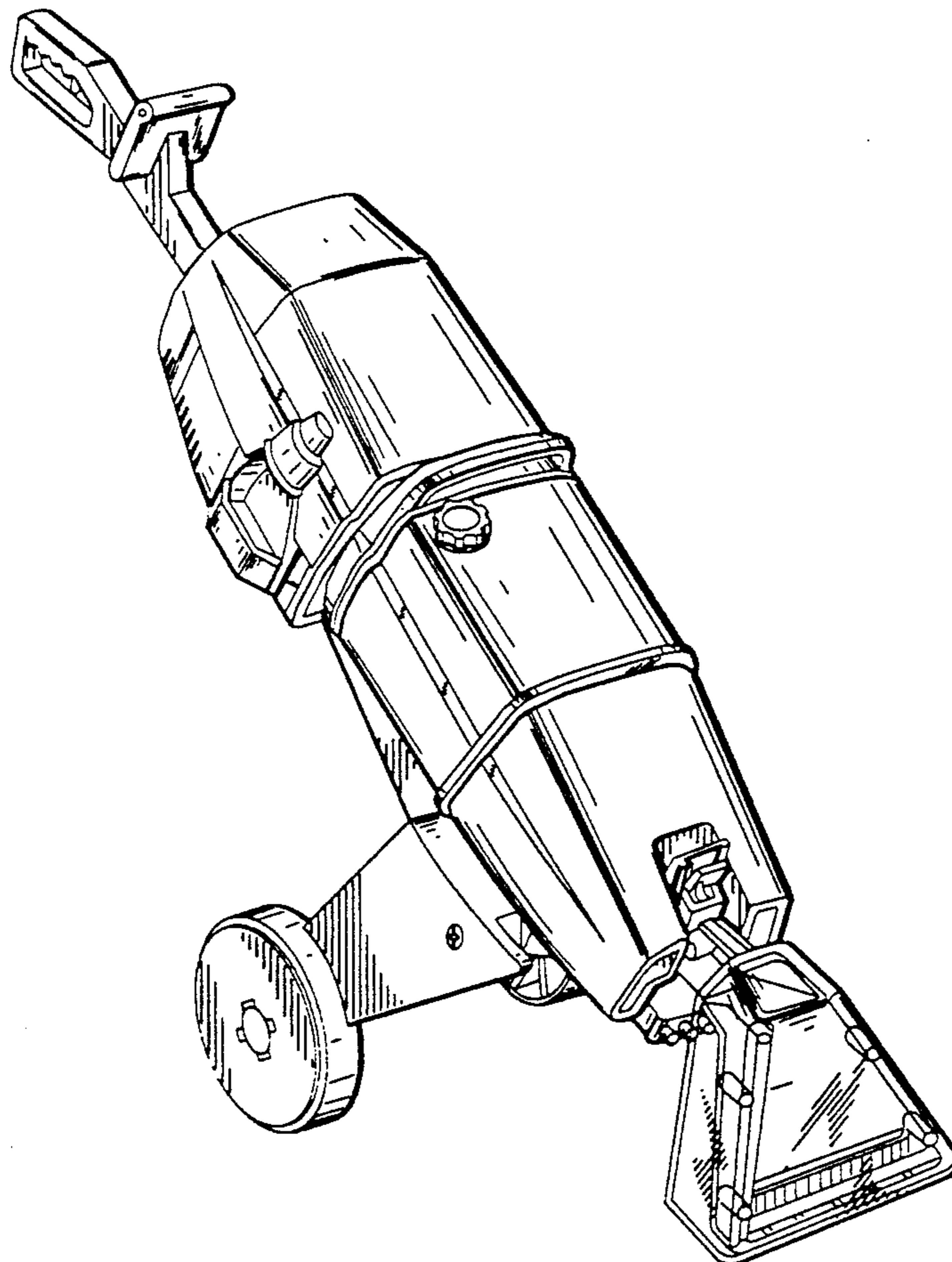
Primary Examiner—Ruth McInroy
Attorney, Agent, or Firm—Jones & Askew

[57] **CLAIM**

The ornamental design for a cleaning device, as shown and described.

DESCRIPTION

FIG. 1 is a front, left, top perspective view of a cleaning device showing our new design;
FIG. 2 is a left side elevational view thereof;
FIG. 3 is a right side elevational view thereof;
FIG. 4 is a front elevational view thereof;
FIG. 5 is a bottom plan view thereof;
FIG. 6 is a top plan view thereof;
FIG. 7 is a rear elevational view thereof; and,
FIG. 8 is a front, left, top perspective view thereof, the cleaning bottle shown in broken lines is for illustrative purposes only and forms no part of the claimed design.



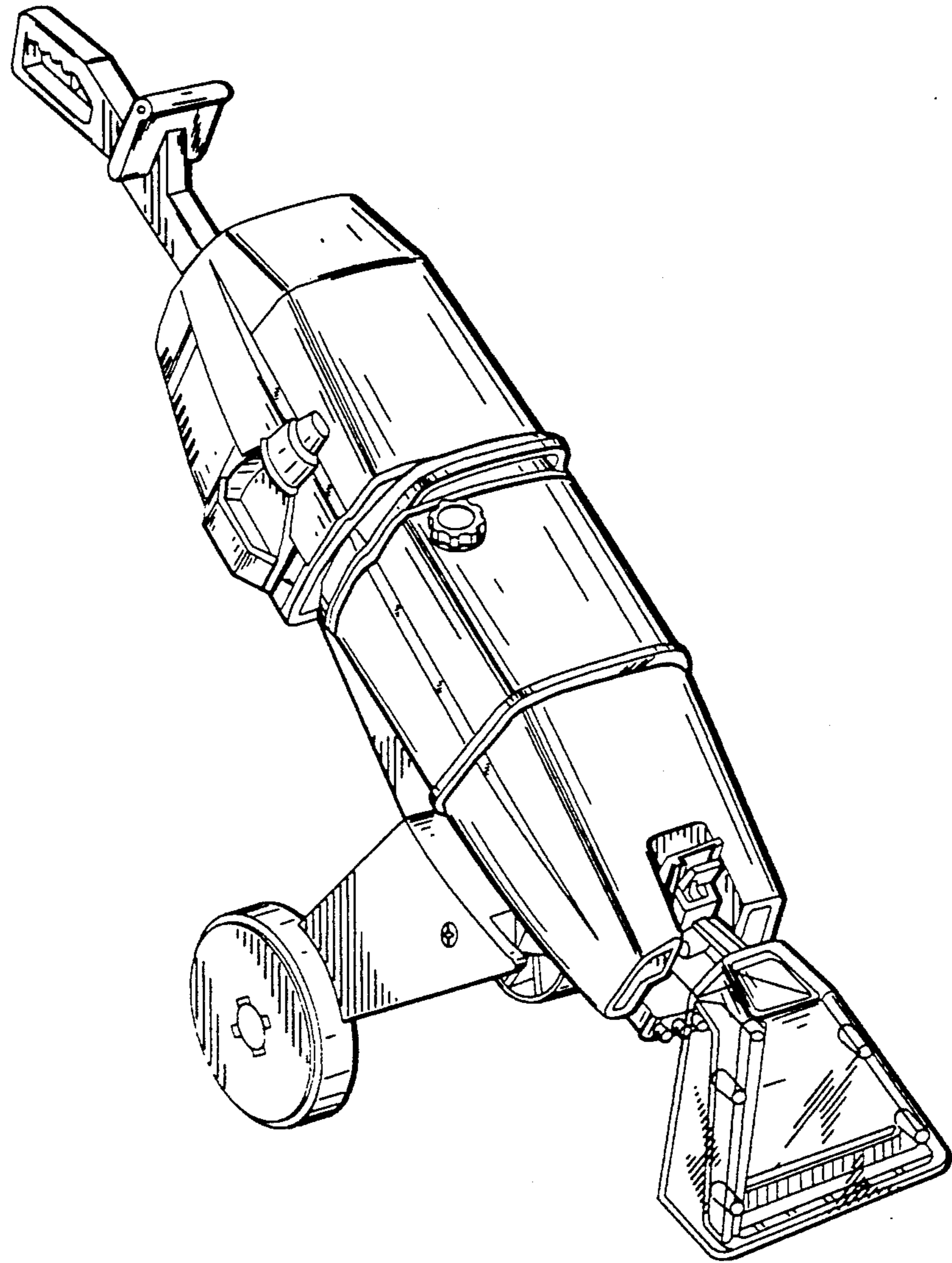


FIG 1

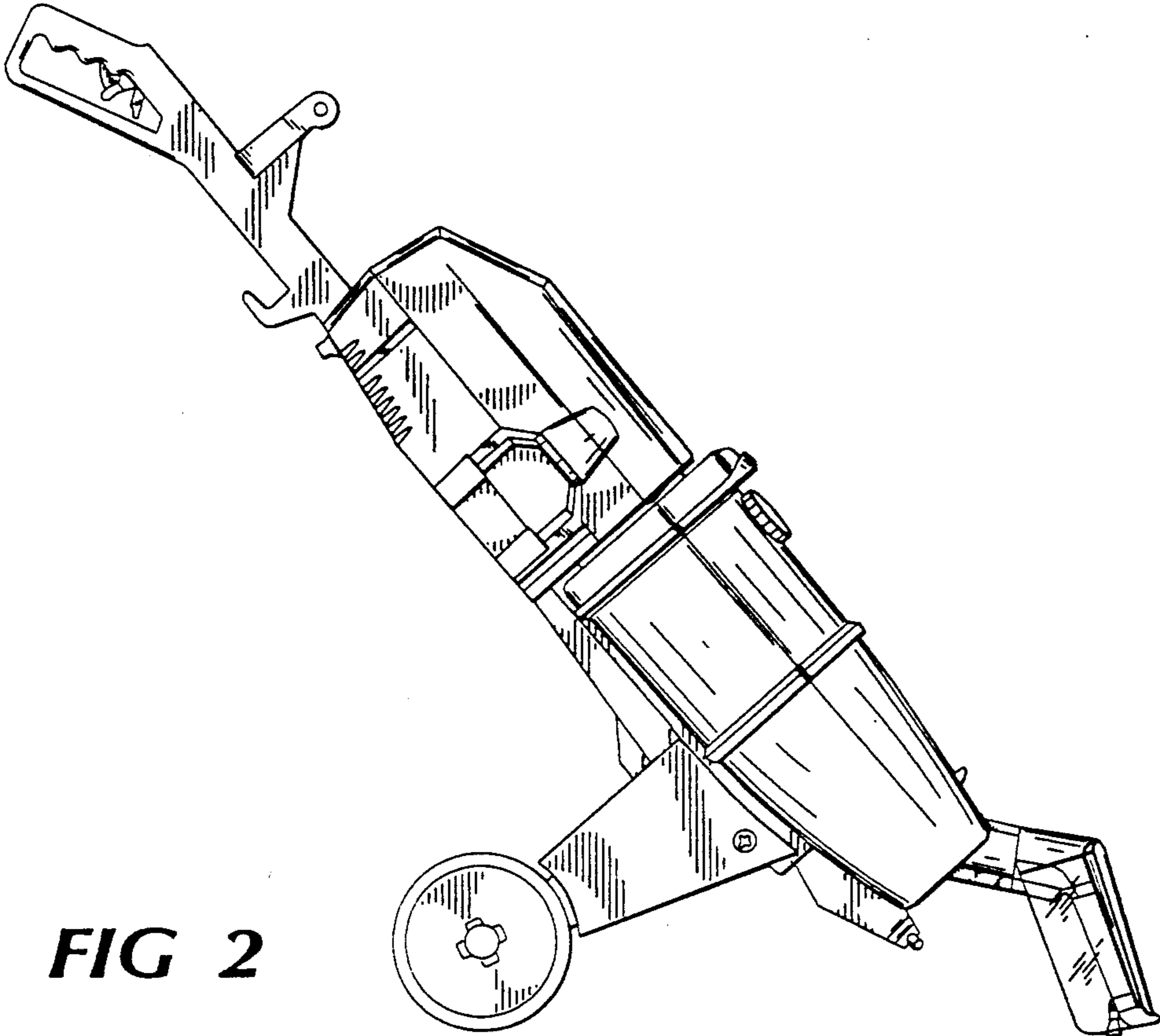


FIG 2

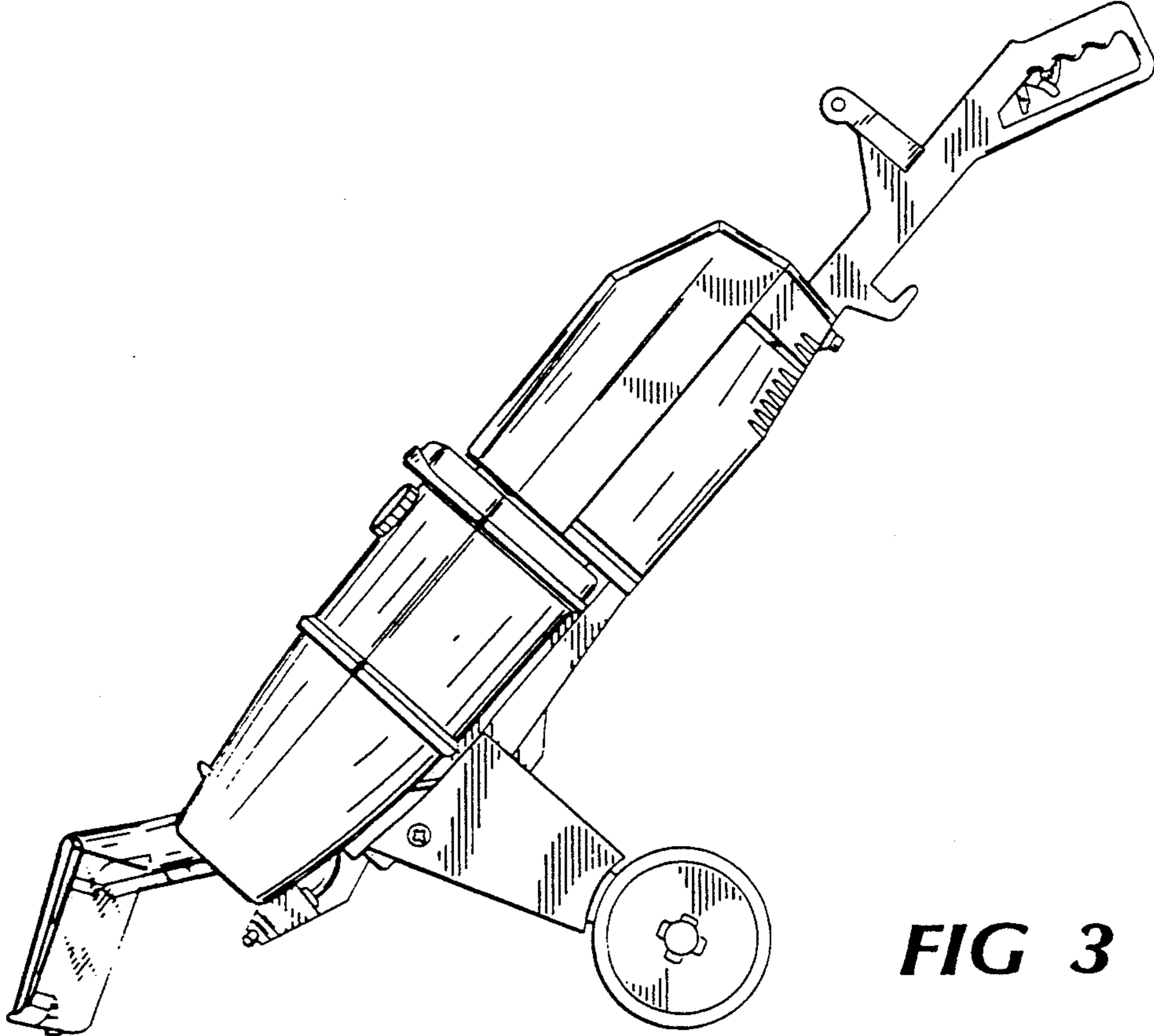


FIG 3

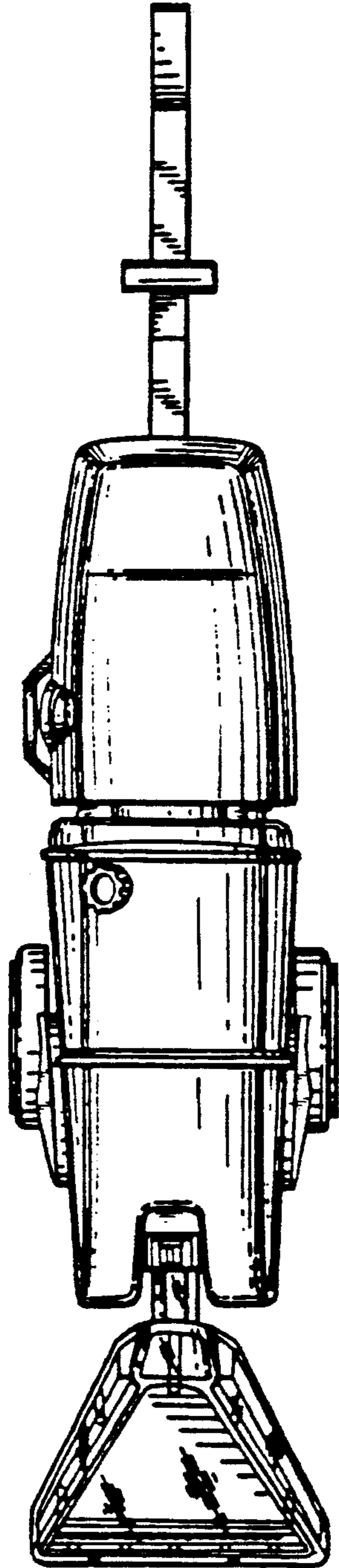


FIG 4

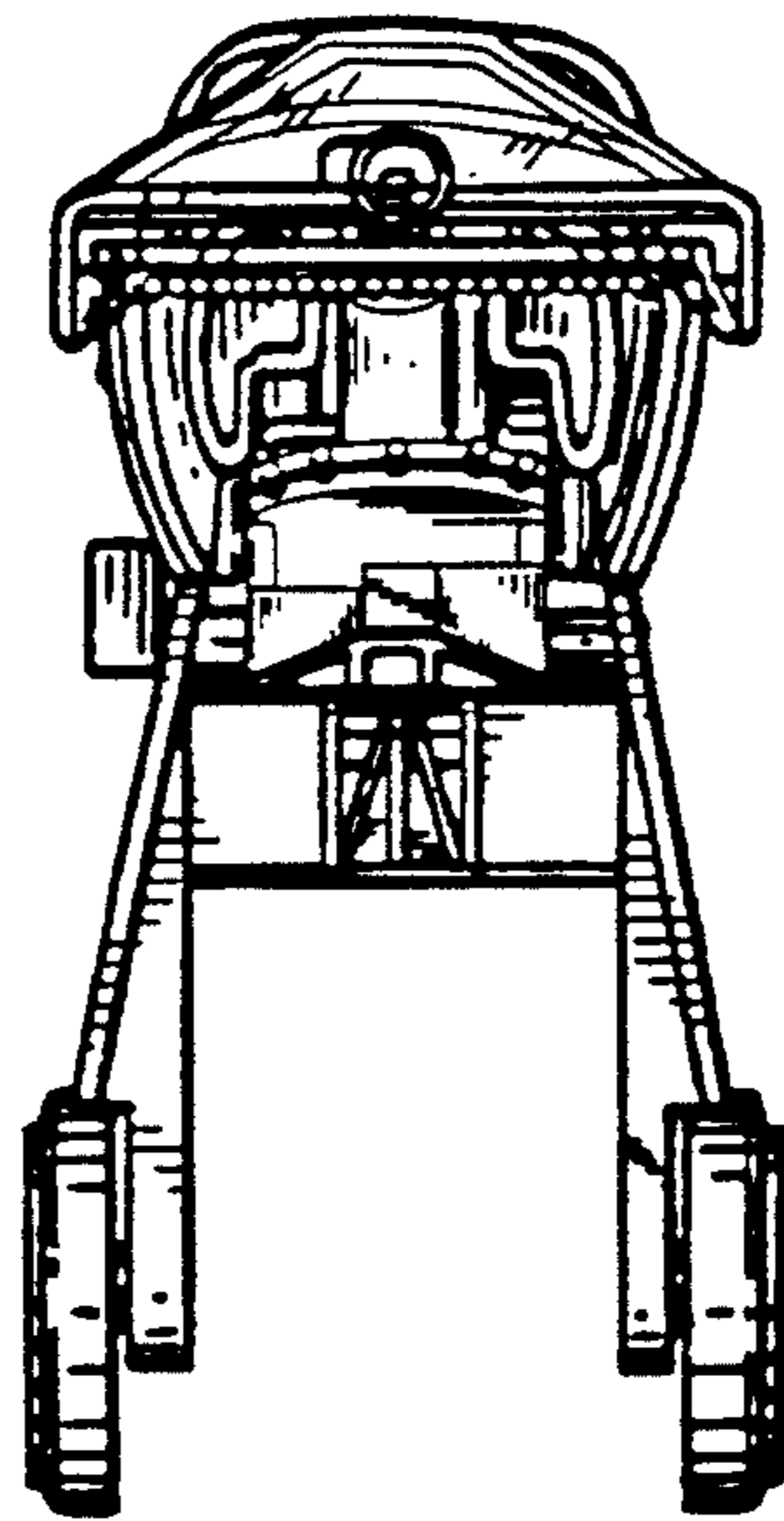


FIG 5

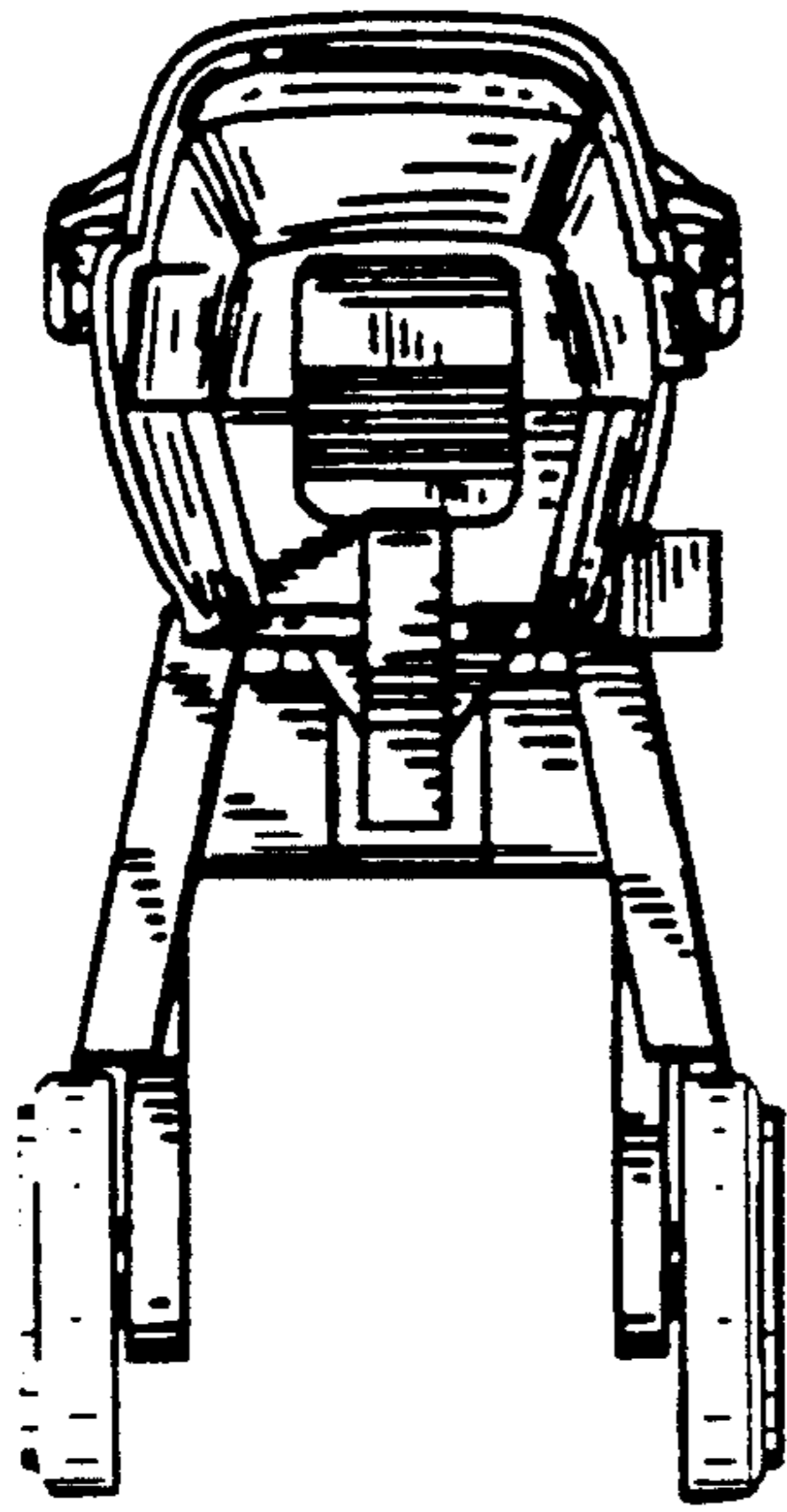


FIG 6

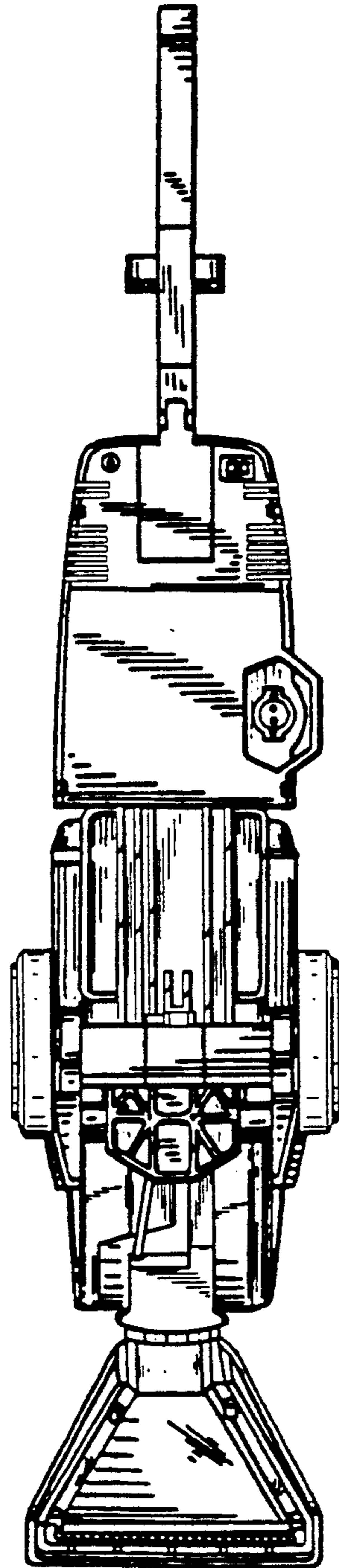


FIG 7

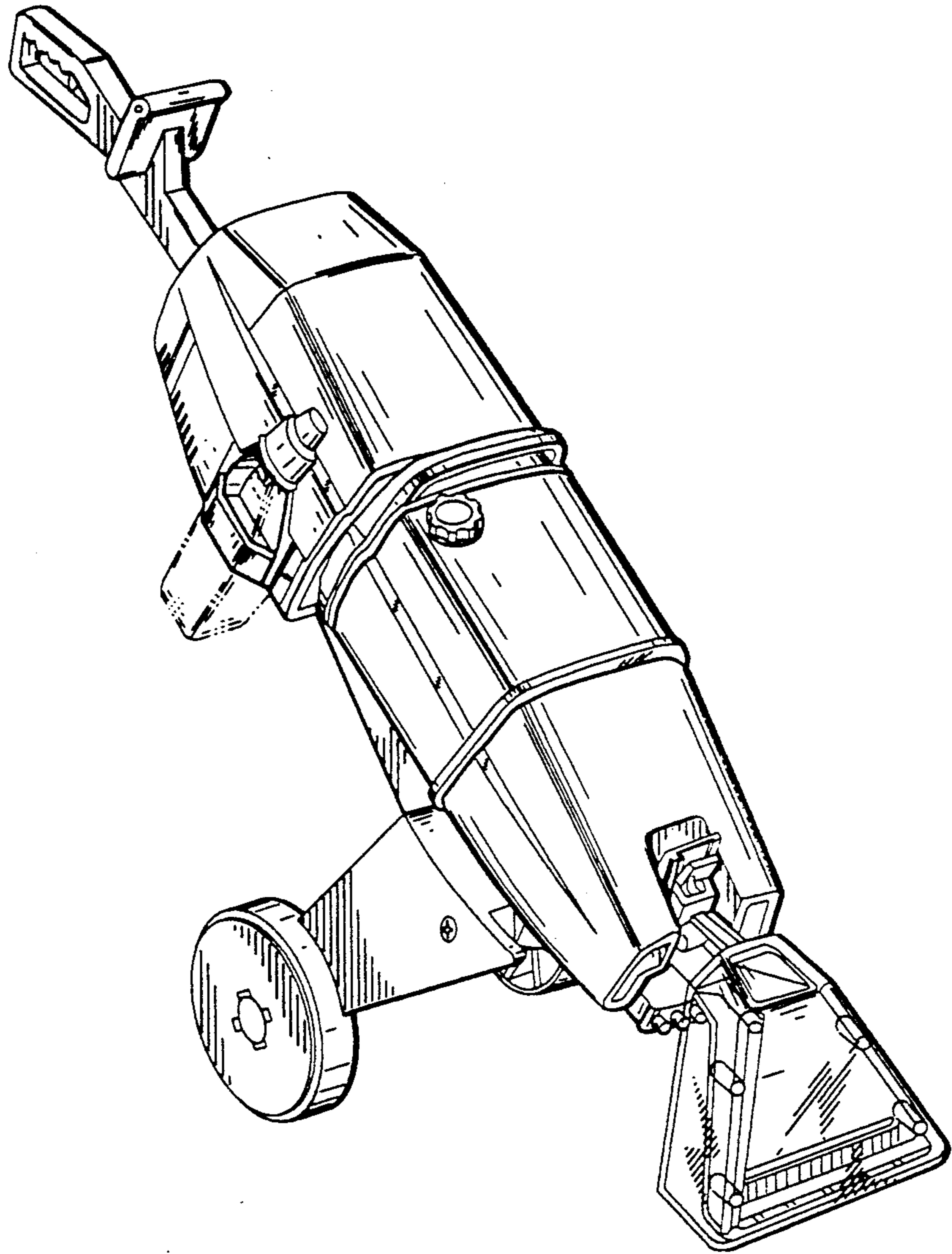


FIG 8