



US00D346243S

United States Patent [19]

[11] Patent Number: **Des. 346,243**

Weber

[45] Date of Patent: **** Apr. 19, 1994**

[54] **CURLING IRON HOLDER**

[76] Inventor: **Carol A. Weber, 615 W. S. Omaha
Bridge Rd. #10, Council Bluffs,
Iowa 51501**

[**] Term: **14 Years**

[21] Appl. No.: **938,652**

[22] Filed: **Sep. 3, 1992**

[52] U.S. Cl. **D28/38; D6/524**

[58] Field of Search **D6/512, 524-528,
D6/531, 534-535, 553, 551, 556, 557, 563;
248/117.1, 915, 309.1; 211/13, 60.1, 70.6;
219/242; D28/38, 73**

1,833,281 11/1931 Farmer .
4,219,178 8/1980 Assion 248/314 X
4,696,447 9/1987 Strecker D28/18 X
4,973,019 11/1990 Baird et al. 248/314

Primary Examiner—Melvin B. Feifer
Assistant Examiner—C. Tuttle
Attorney, Agent, or Firm—Richard C. Litman

[57] CLAIM

The ornamental design for a curling iron holder, as shown and described.

DESCRIPTION

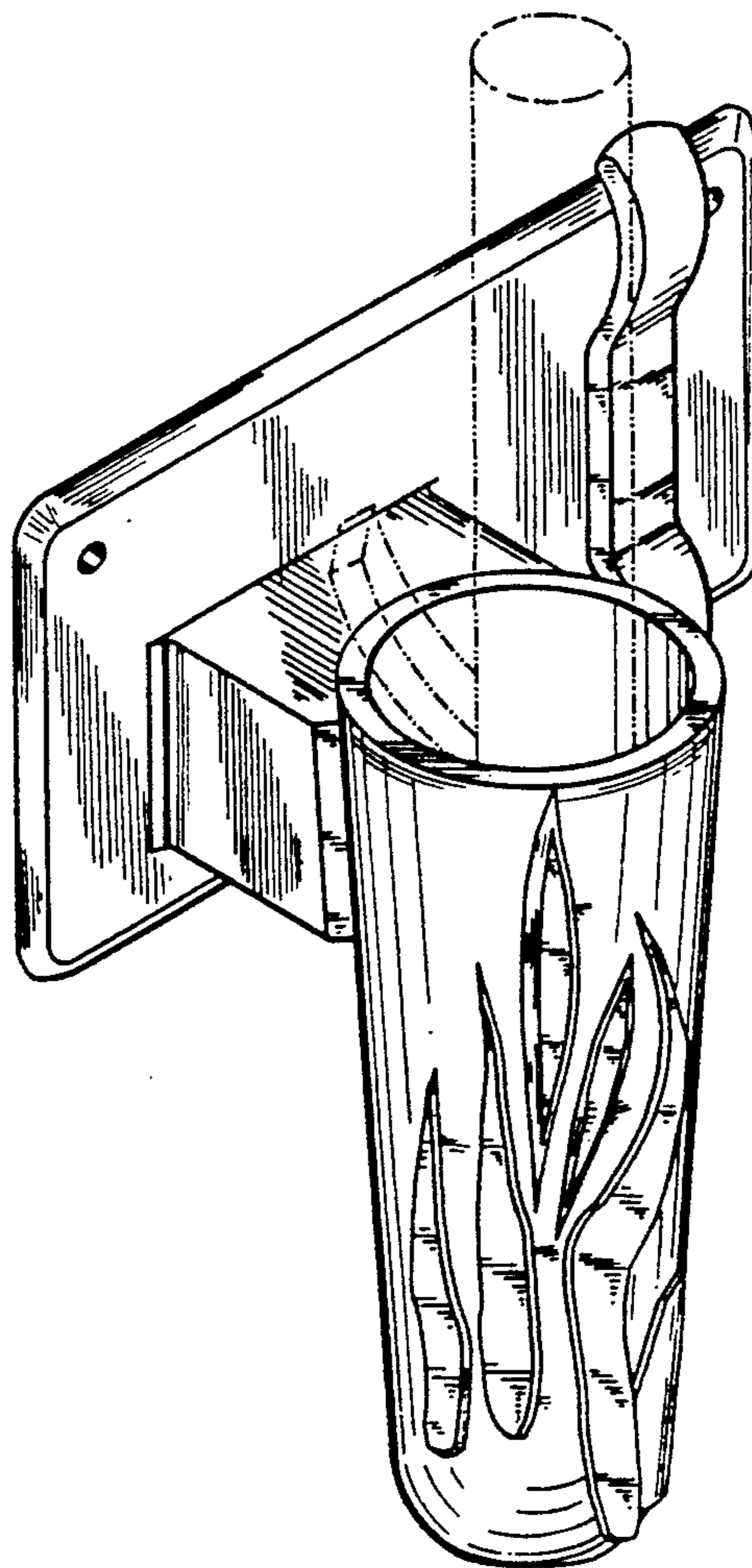
FIG. 1 is a perspective view of a curling iron holder showing my new design in use;
FIG. 2 is a front elevational view thereof;
FIG. 3 is a rear elevational view thereof;
FIG. 4 is a right side elevational view thereof;
FIG. 5 is a left side elevational view thereof;
FIG. 6 is a bottom view thereof; and,
FIG. 7 is a top view thereof.

The broken line showing of a curling iron in FIG. 1 is for illustrative purposes only and forms no part of the claimed design.

[56] References Cited

U.S. PATENT DOCUMENTS

D. 23,137	3/1894	Sheldon .	
D. 147,911	11/1947	Lewis	D9/335
D. 220,280	3/1971	Ray	D6/526
D. 234,304	9/1992	Tipp	D28/38
D. 243,559	3/1977	Hoyle et al.	D28/38
D. 312,546	12/1990	Goldenberg et al.	D6/524
D. 341,048	11/1993	Murro	D6/525



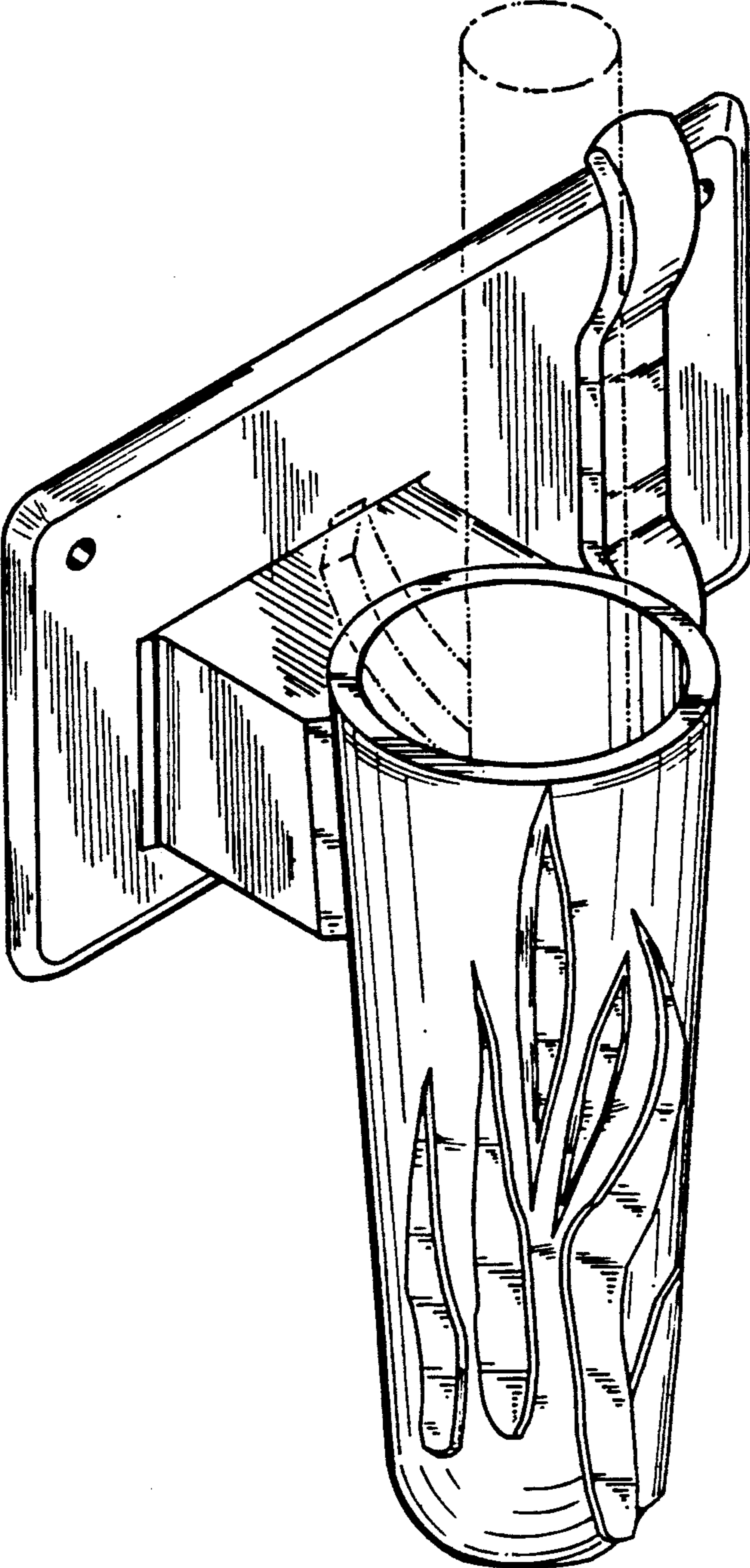


FIG. 1

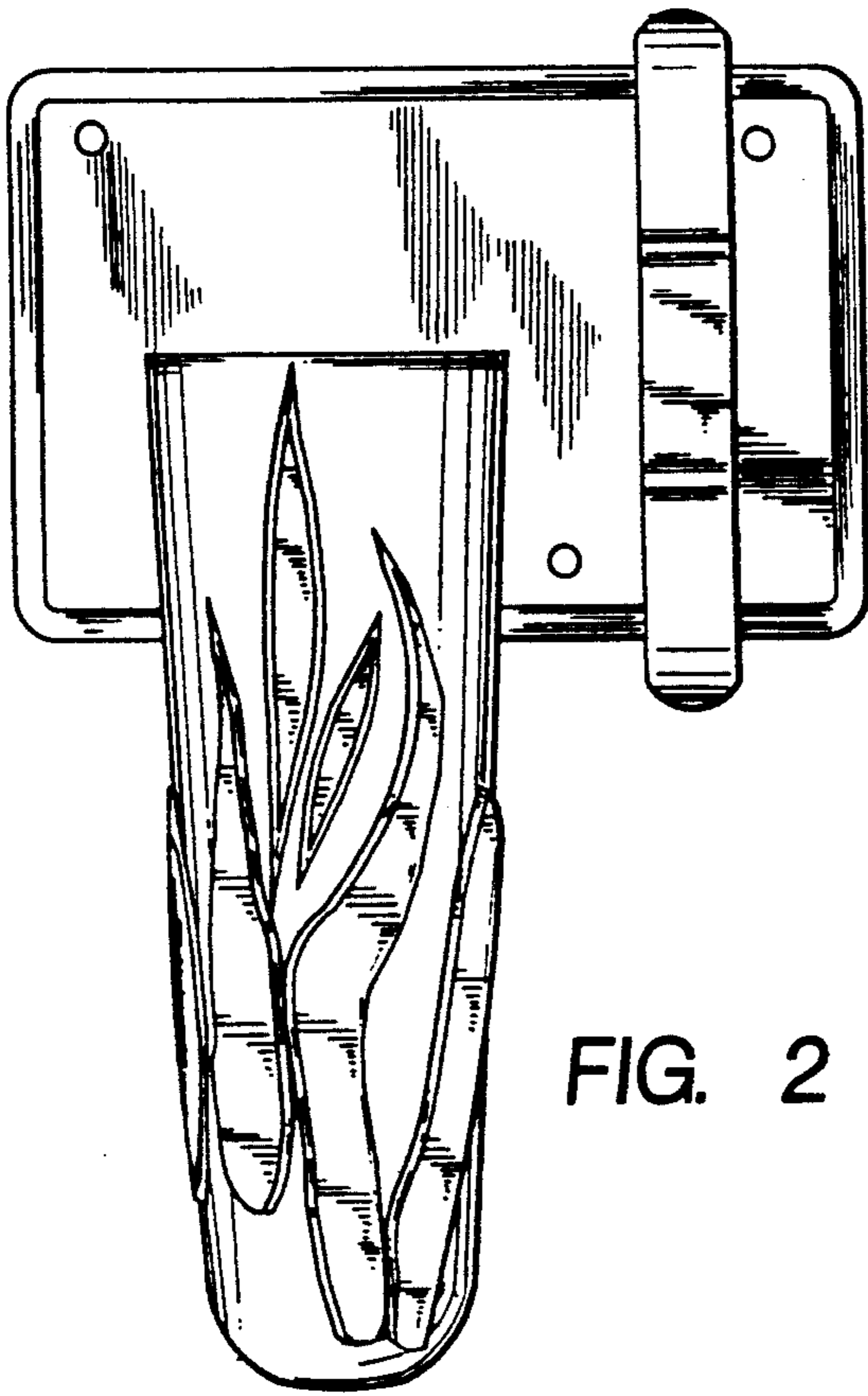


FIG. 2

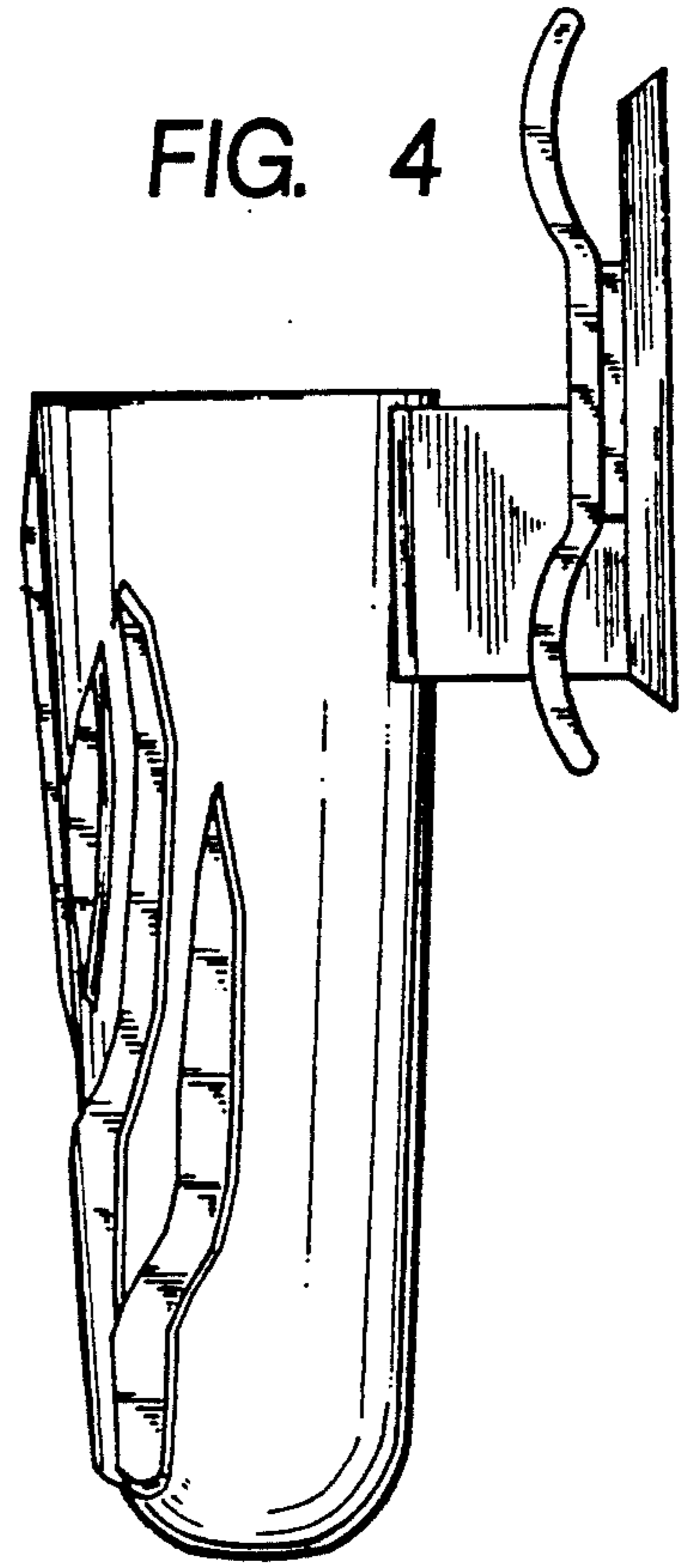


FIG. 4

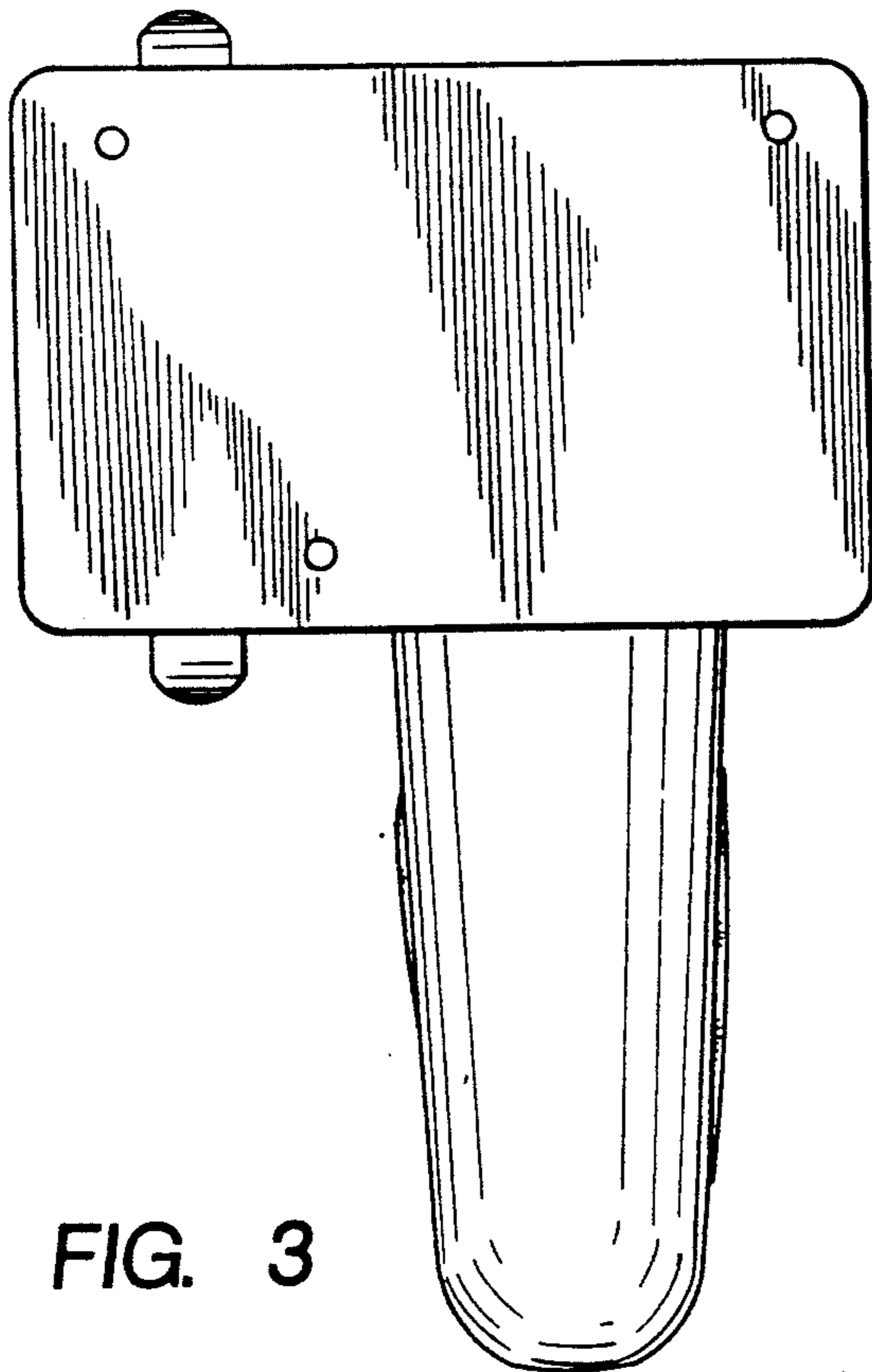


FIG. 3

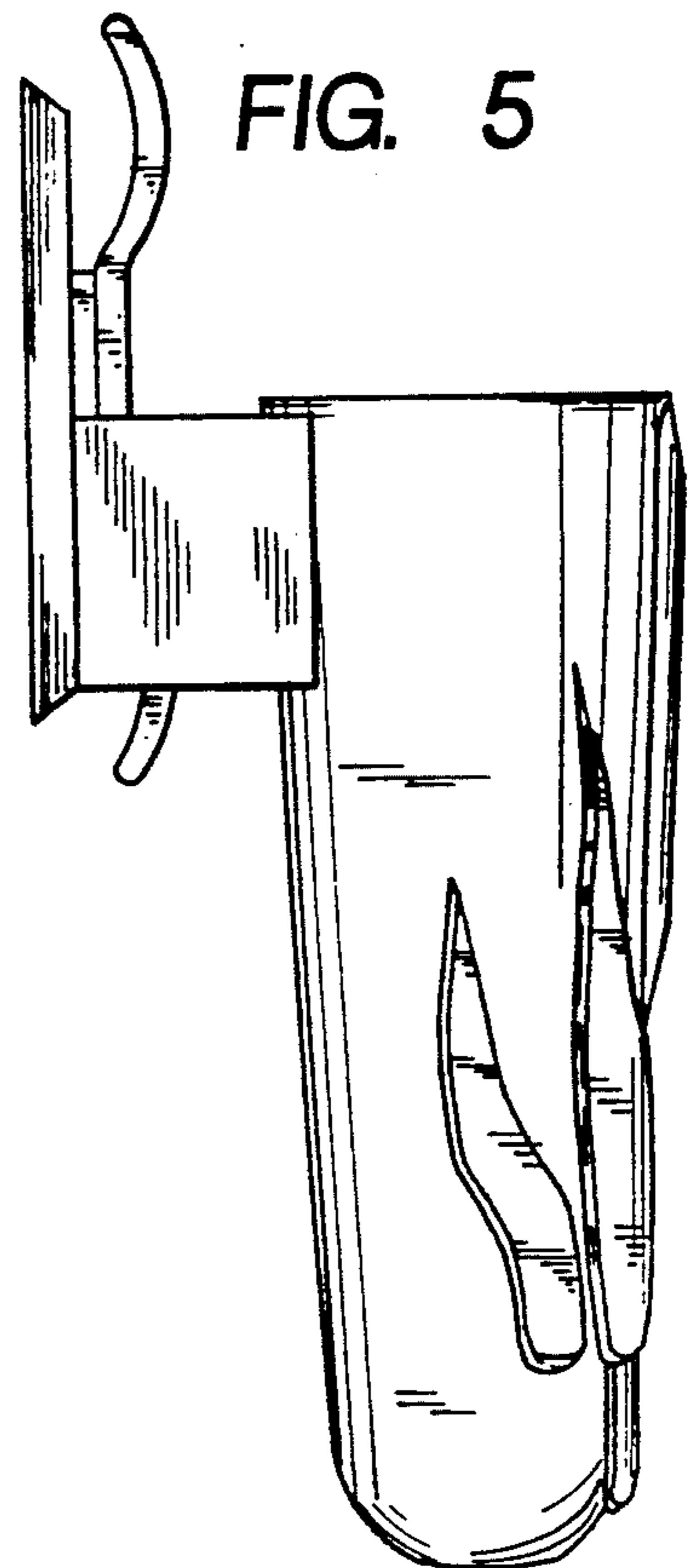


FIG. 5

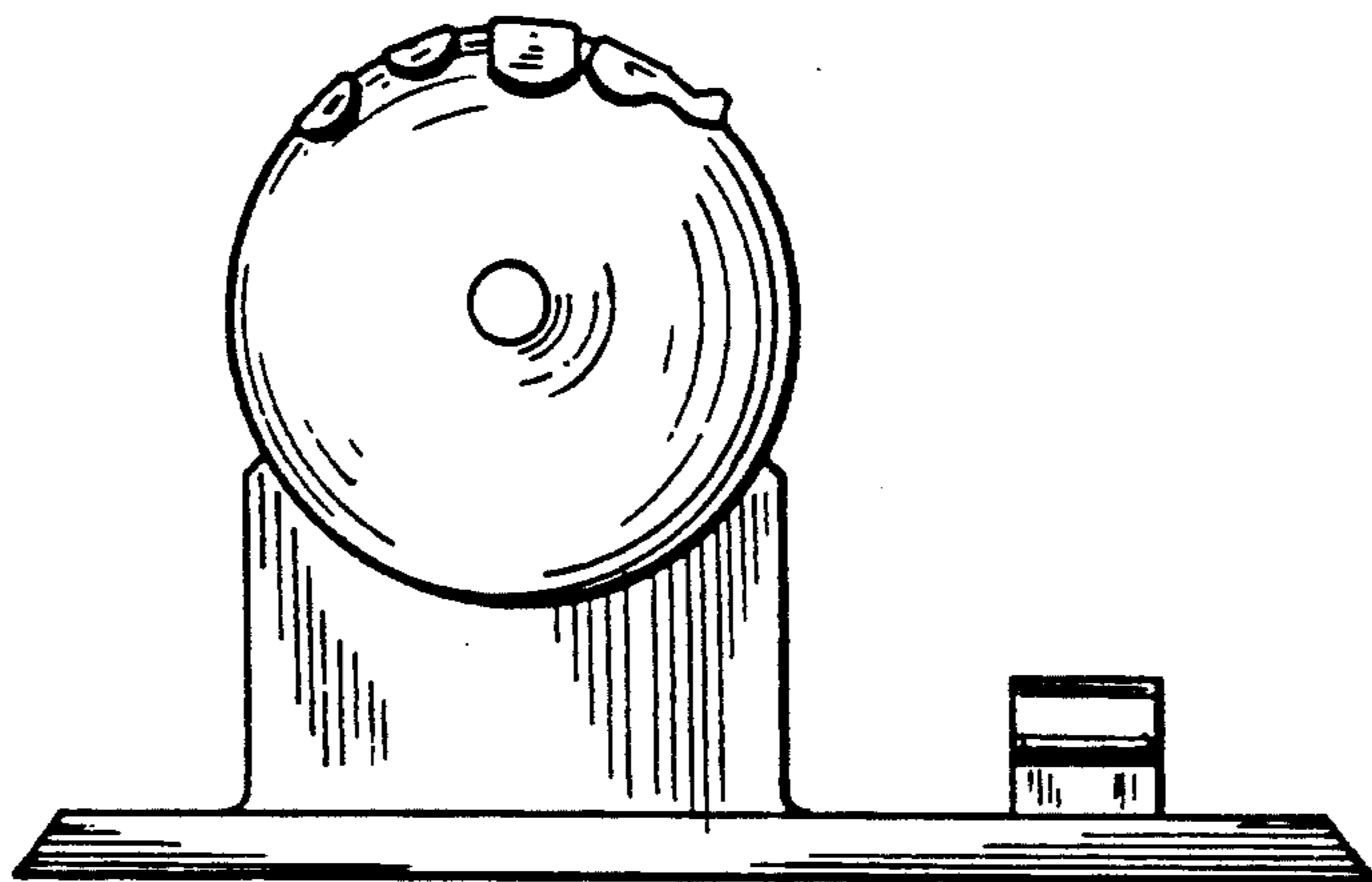


FIG. 6

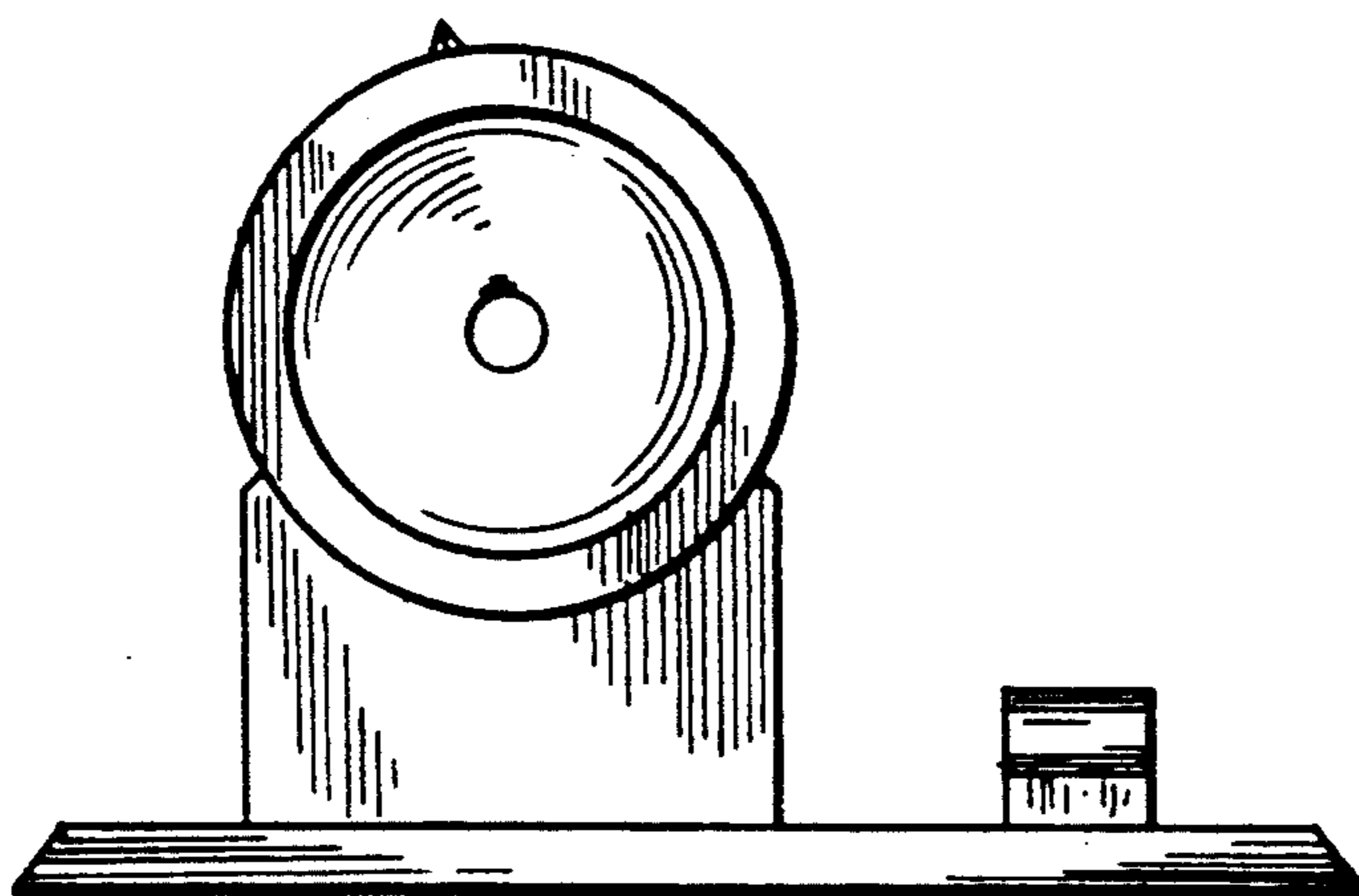


FIG. 7