



US00D346235S

United States Patent [19]

[11] Patent Number: **Des. 346,235**

Tsai

[45] Date of Patent: **** Apr. 19, 1994**

[54] **FOG LIGHT**

Primary Examiner—Susan J. Lucas

[76] Inventor: **Wen-Tsung Tsai**, No. 58-3, Lane 410,
Sec 2, Wen Hua Rd., Pan Chiao,
Taipei, Taiwan

Attorney, Agent, or Firm—Jacobson, Price, Holman &
Stern

[**] Term: **14 Years**

[57] **CLAIM**

The ornamental design for a fog light, as shown and described.

[21] Appl. No.: **885,558**

DESCRIPTION

[22] Filed: **May 19, 1992**

[52] U.S. Cl. **D26/29**

[58] Field of Search 362/61, 80.1, 80, 83,
362/83.3, 269, 275, 285, 418, 419, 427;
D26/28-36

FIG. 1 is a front and top perspective view of a fog light showing my new design;

FIG. 2 is a top plan view thereof on a reduced scale;

FIG. 3 is a bottom plan view thereof on a reduced scale;

FIG. 4 is a front elevational view thereof on a reduced scale;

FIG. 5 is a rear elevational view thereof on a reduced scale;

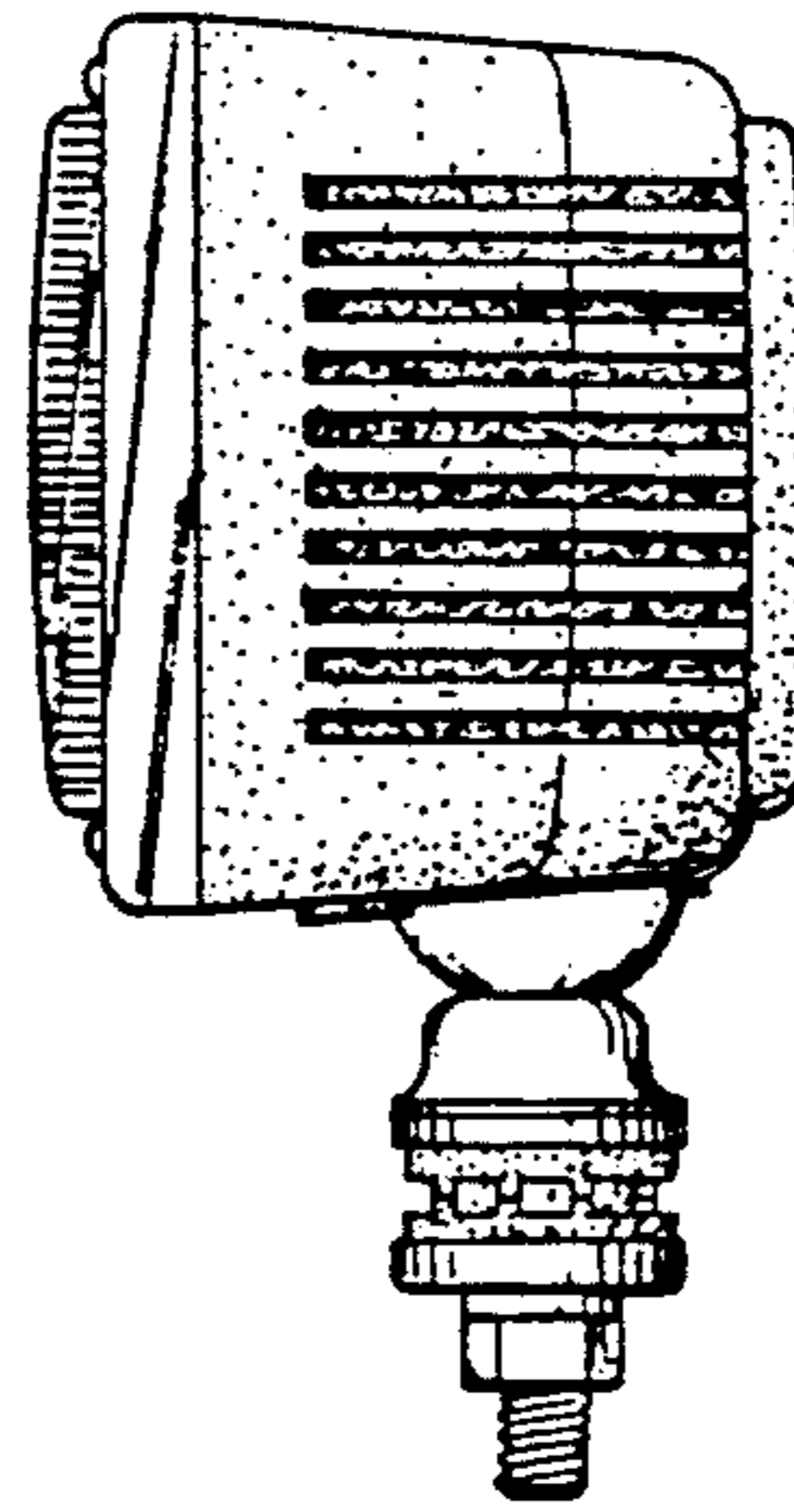
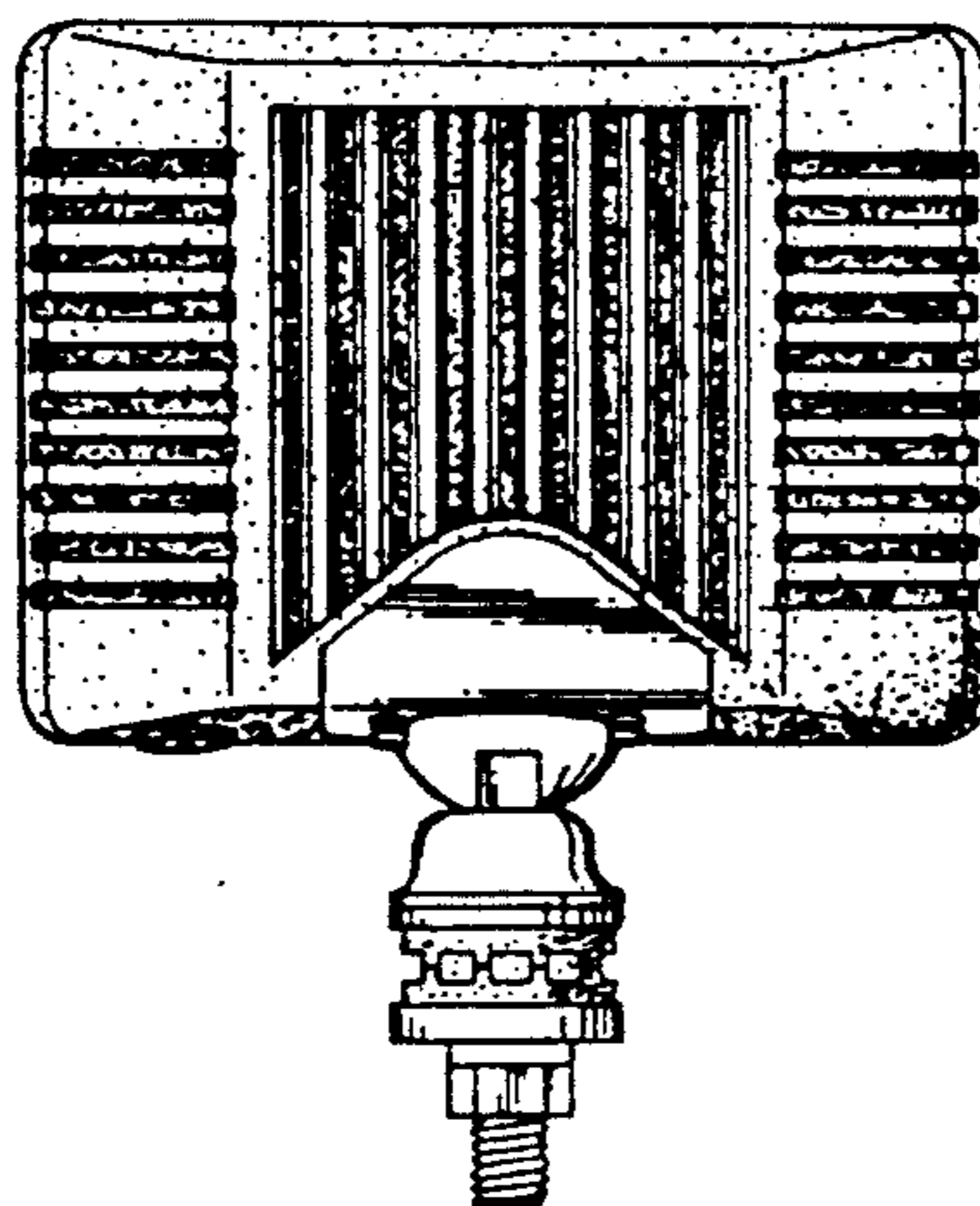
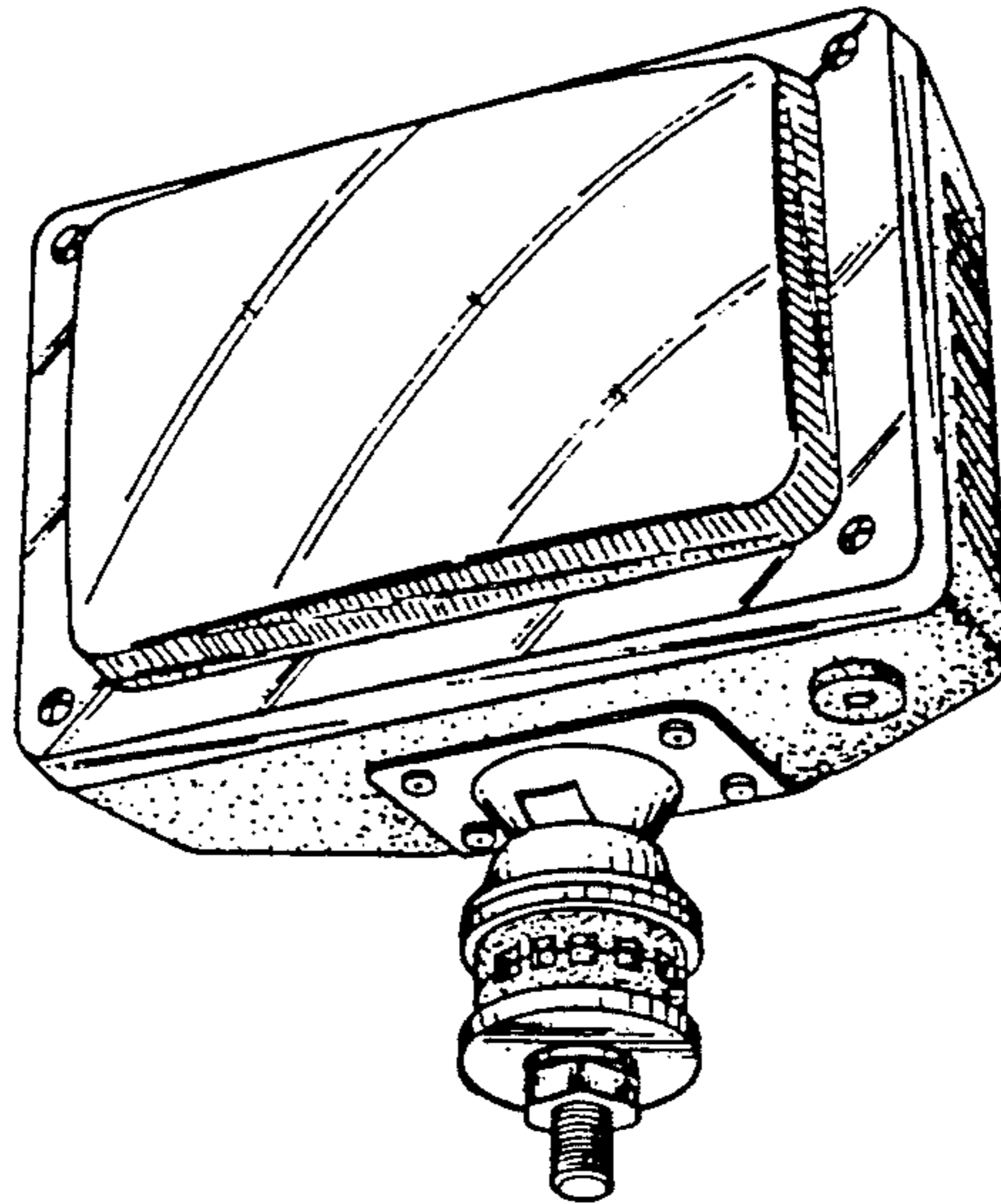
FIG. 6 is a left side elevational view thereof on a reduced scale; and,

FIG. 7 is a right side elevational view thereof on a reduced scale.

[56] **References Cited**

U.S. PATENT DOCUMENTS

D. 237,648	11/1975	Cibie	D26/28
D. 271,426	11/1983	Yabata	D26/29
D. 274,000	5/1984	Bailly	D26/29
4,509,106	4/1985	Mayer	362/287 X



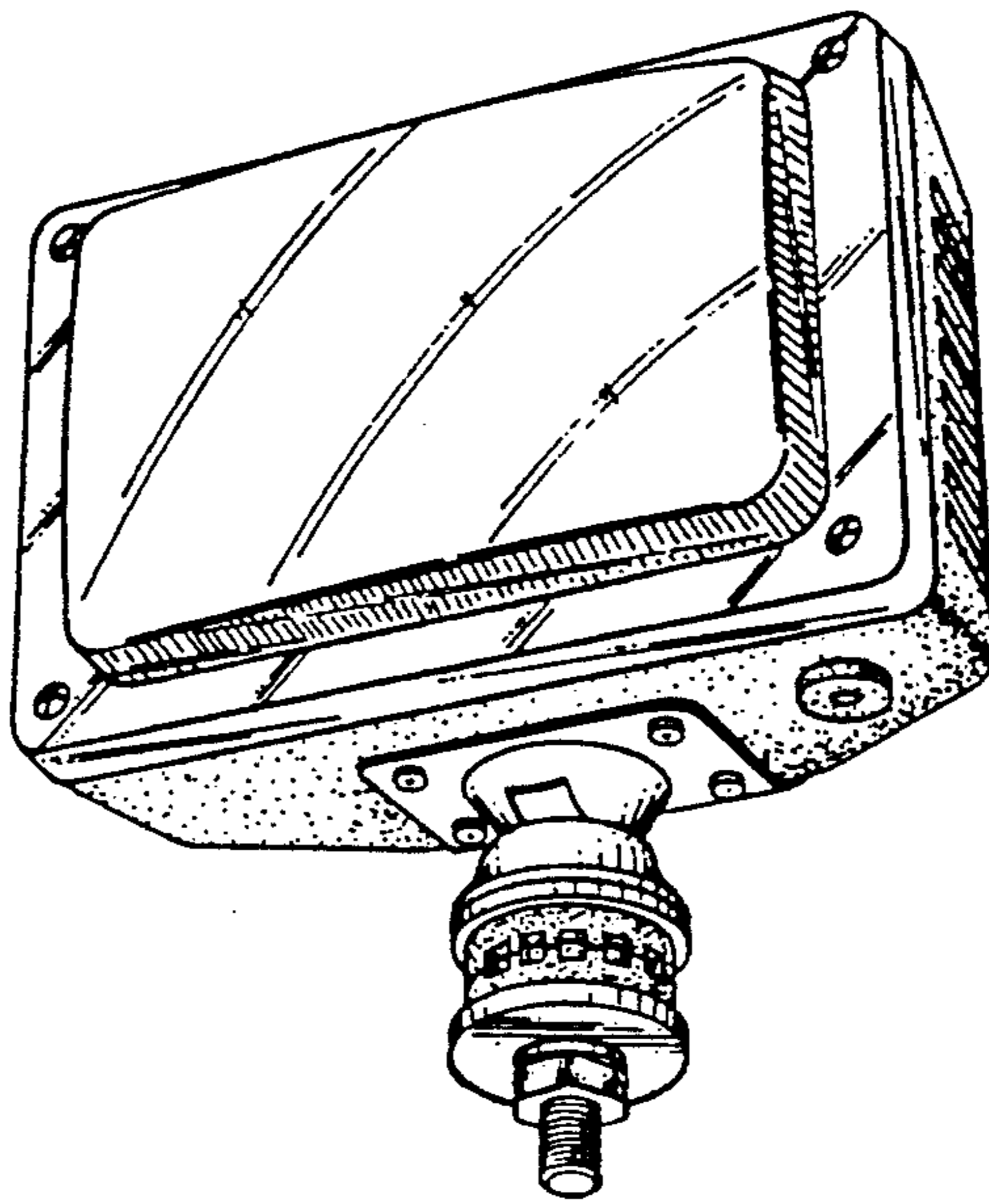


FIG. 1

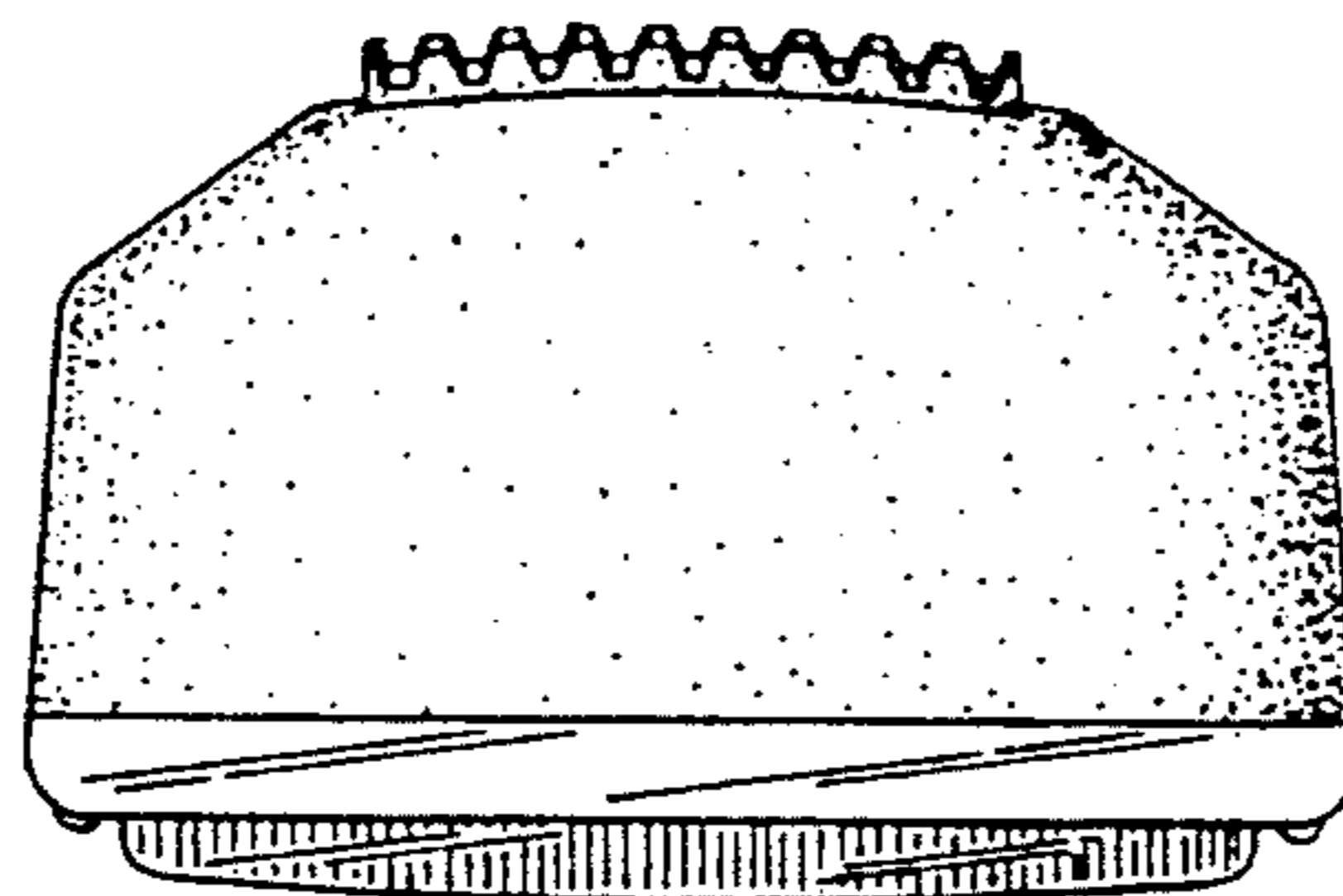


FIG. 2

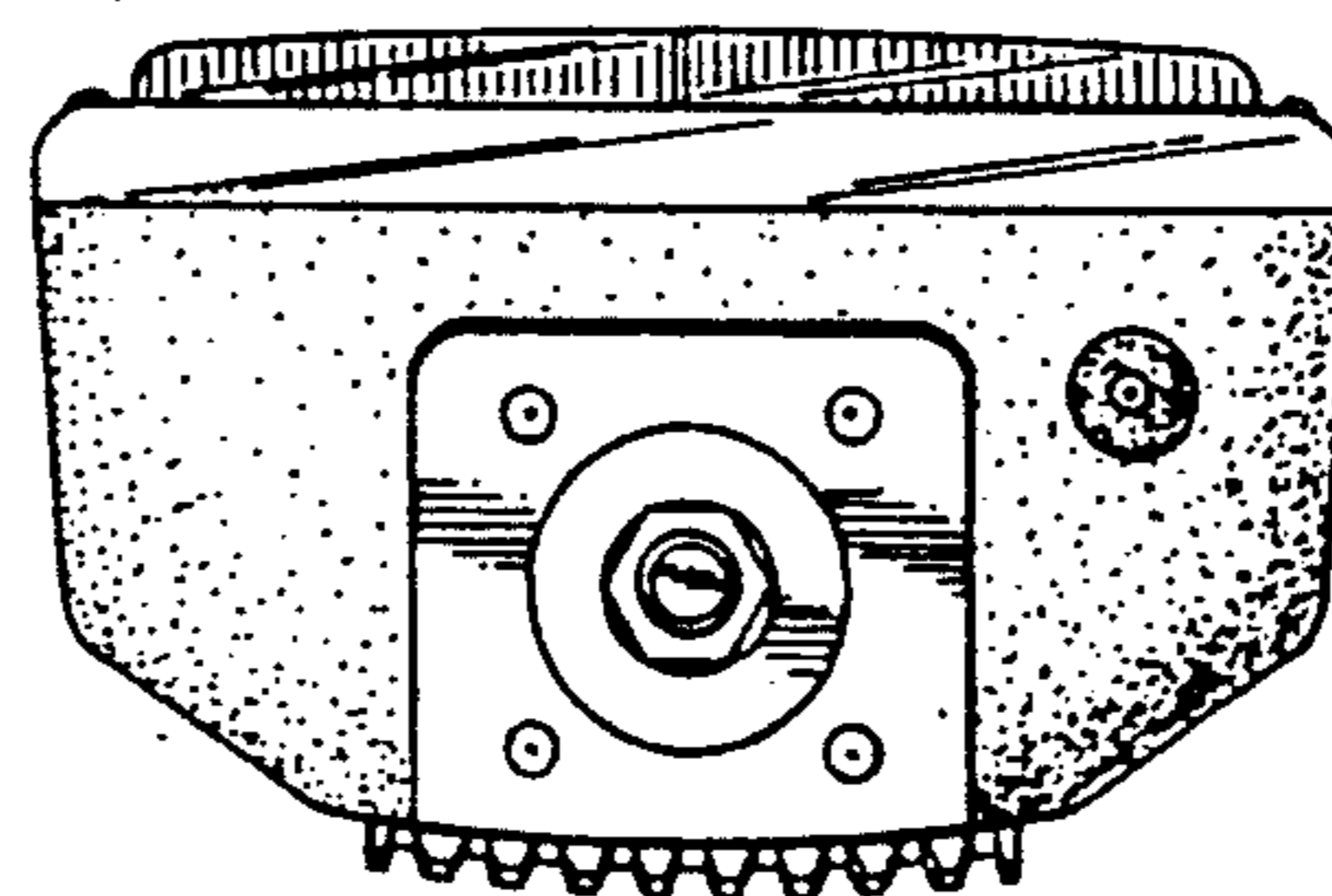


FIG. 3

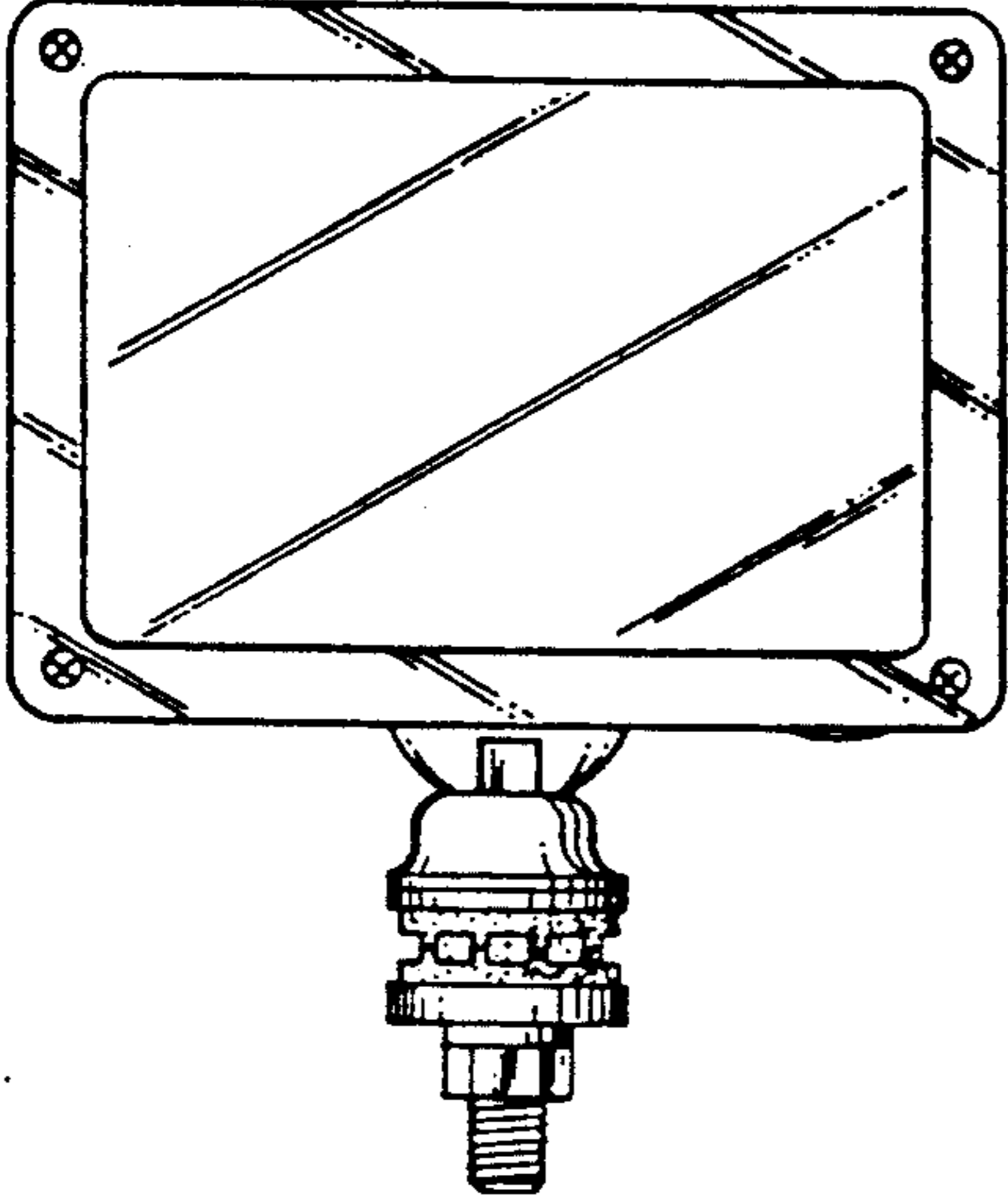


FIG. 4

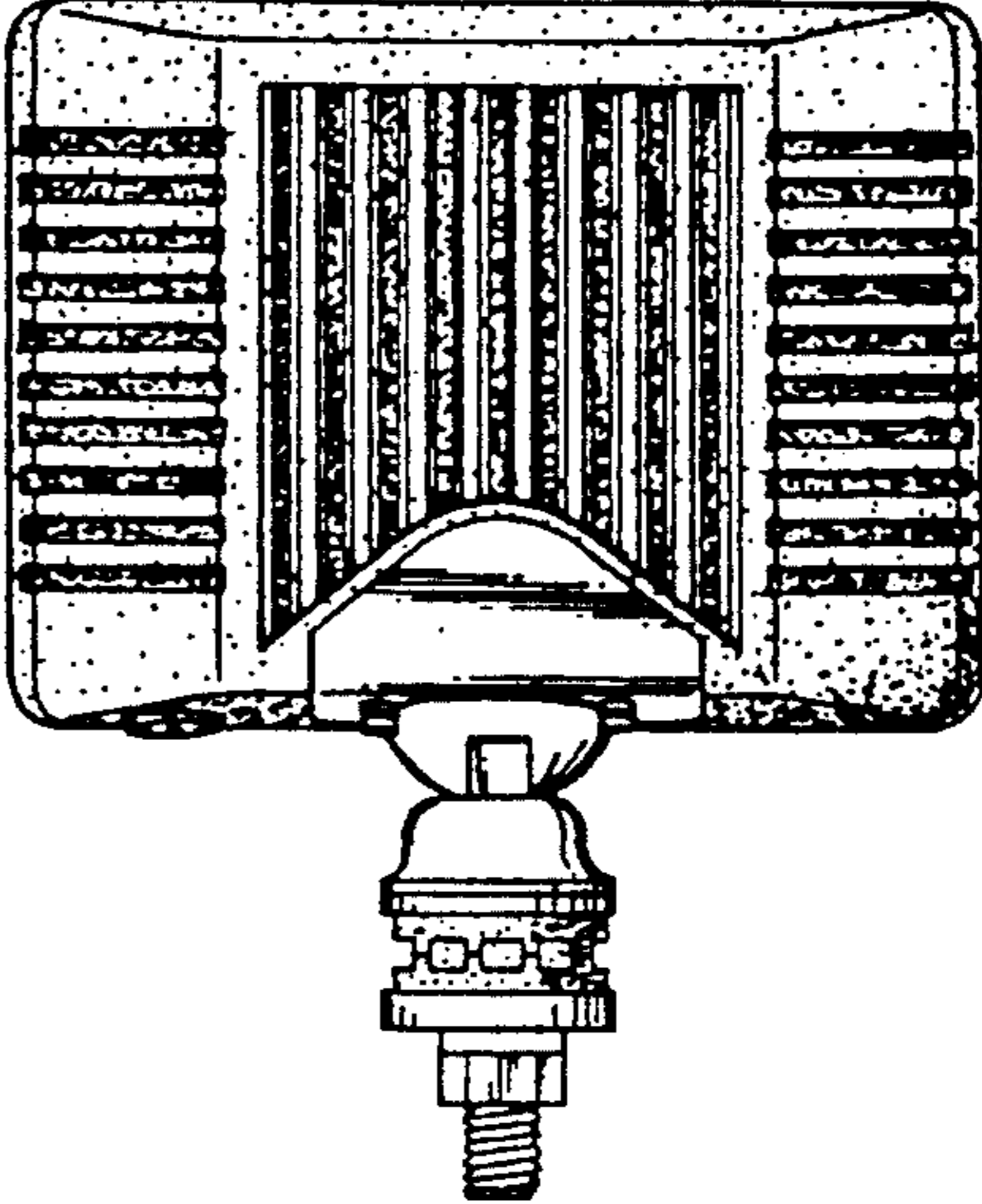


FIG. 5

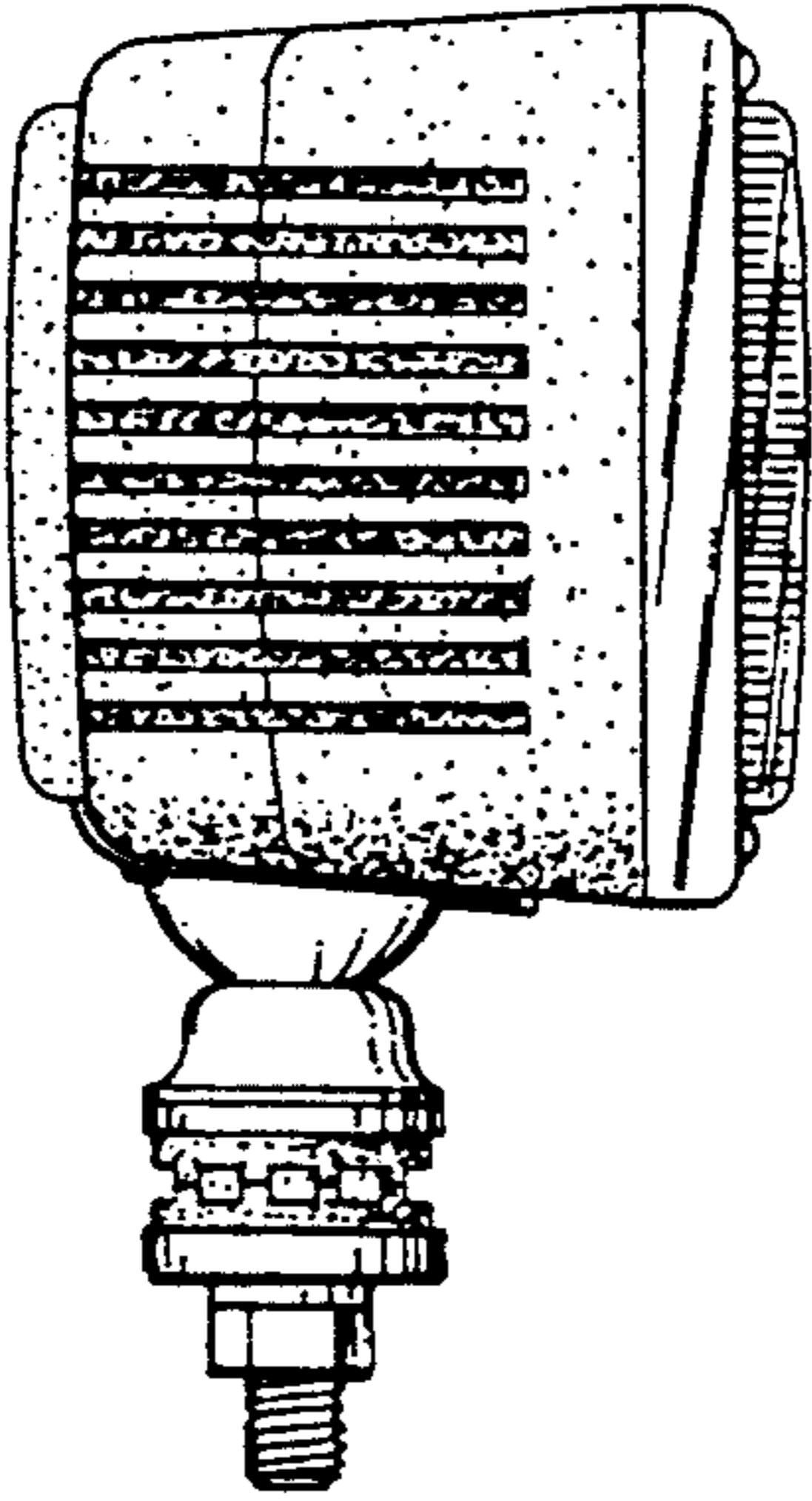


FIG. 6

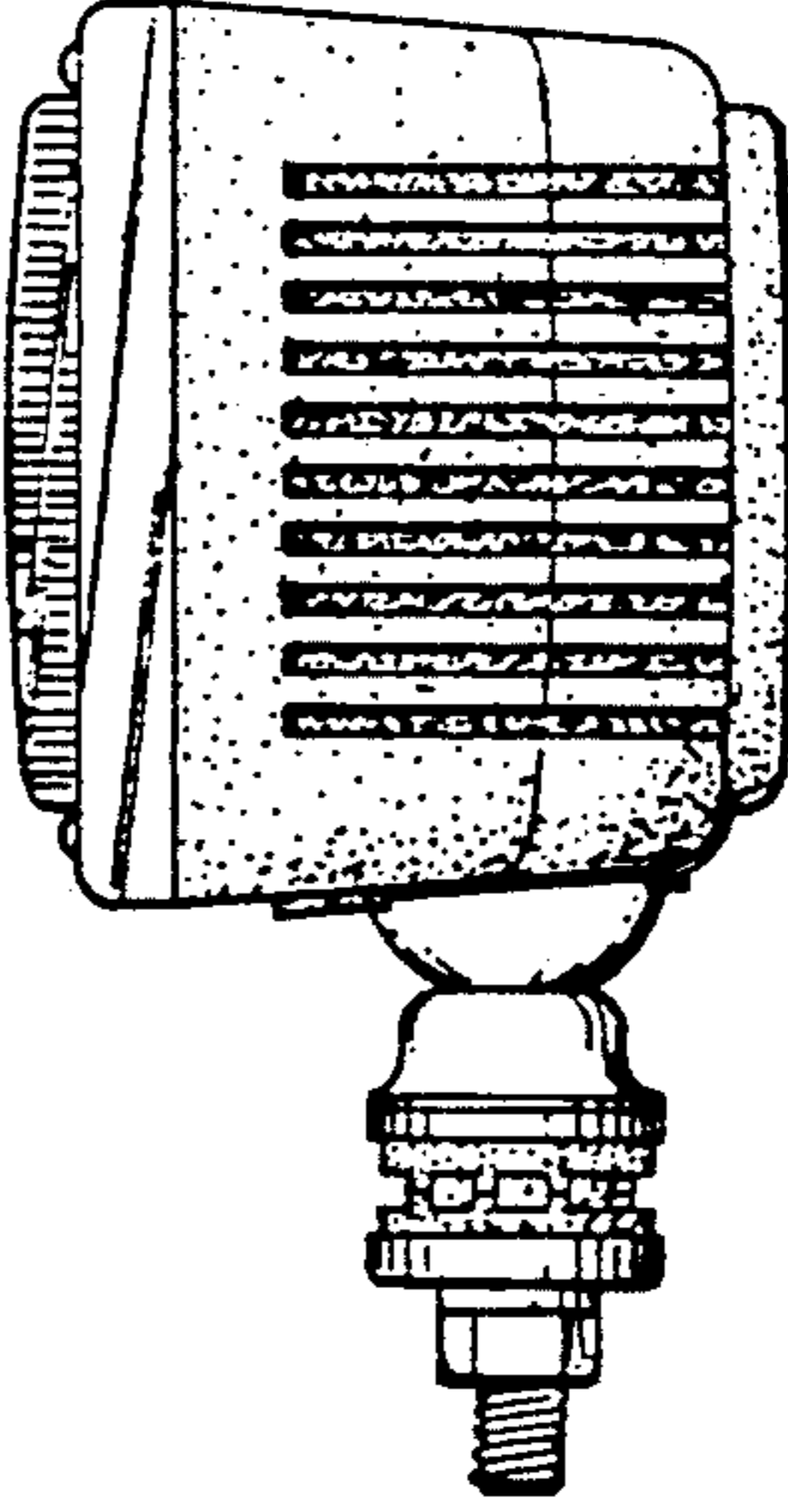


FIG. 7