



US00D346232S

United States Patent [19]

[11] Patent Number: Des. 346,232

Falkensson et al.

[45] Date of Patent: ** Apr. 19, 1994

[54] VEHICLE MARKER LIGHT

175871 3/1922 United Kingdom 362/83

[76] Inventors: Rickard Falkensson, Amerikagatan 1E, S-414 63 Göteborg; Göran Linderöth, Björkgatan 6, S-432 32 Varberg, both of Sweden

Primary Examiner—Susan J. Lucas
Attorney, Agent, or Firm—Klarquist Sparkman
Campbell Leigh & Whinston

[**] Term: 14 Years

[57] CLAIM

The ornamental design for our vehicle marker light, as shown and described hereinbefore.

[21] Appl. No.: 2,150

DESCRIPTION

[22] Filed: Dec. 1, 1992

FIG. 1 is a perspective view of our vehicle marker light shown obliquely from one side, slightly from the front end and slightly from above;

[30] Foreign Application Priority Data

Jun. 5, 1992 [SE] Sweden 921229

[52] U.S. Cl. D26/28

FIG. 2 is a perspective view of our vehicle marker light, shown obliquely from one side, from the rear side and slightly from below;

[58] Field of Search 362/61, 72, 74, 80, 362/80.1, 82, 83, 83.3; D26/28-36

FIG. 3 is a planar view showing our vehicle marker light from below;

[56] References Cited

U.S. PATENT DOCUMENTS

D. 59,212 10/1921 Gross D26/36

D. 166,312 4/1952 Holland D26/35

D. 276,468 11/1984 Preisler et al. D26/28

FIG. 4 is a planar side view of our vehicle marker light, the opposite side being a reverse image thereof;

FIG. 5 is a planar view of our vehicle marker light from above;

FOREIGN PATENT DOCUMENTS

655472 12/1928 France 362/61

FIG. 6 is a planar view showing our vehicle marker light from the front end thereof; and,

FIG. 7 is a planar view showing our vehicle marker light from the rear end.

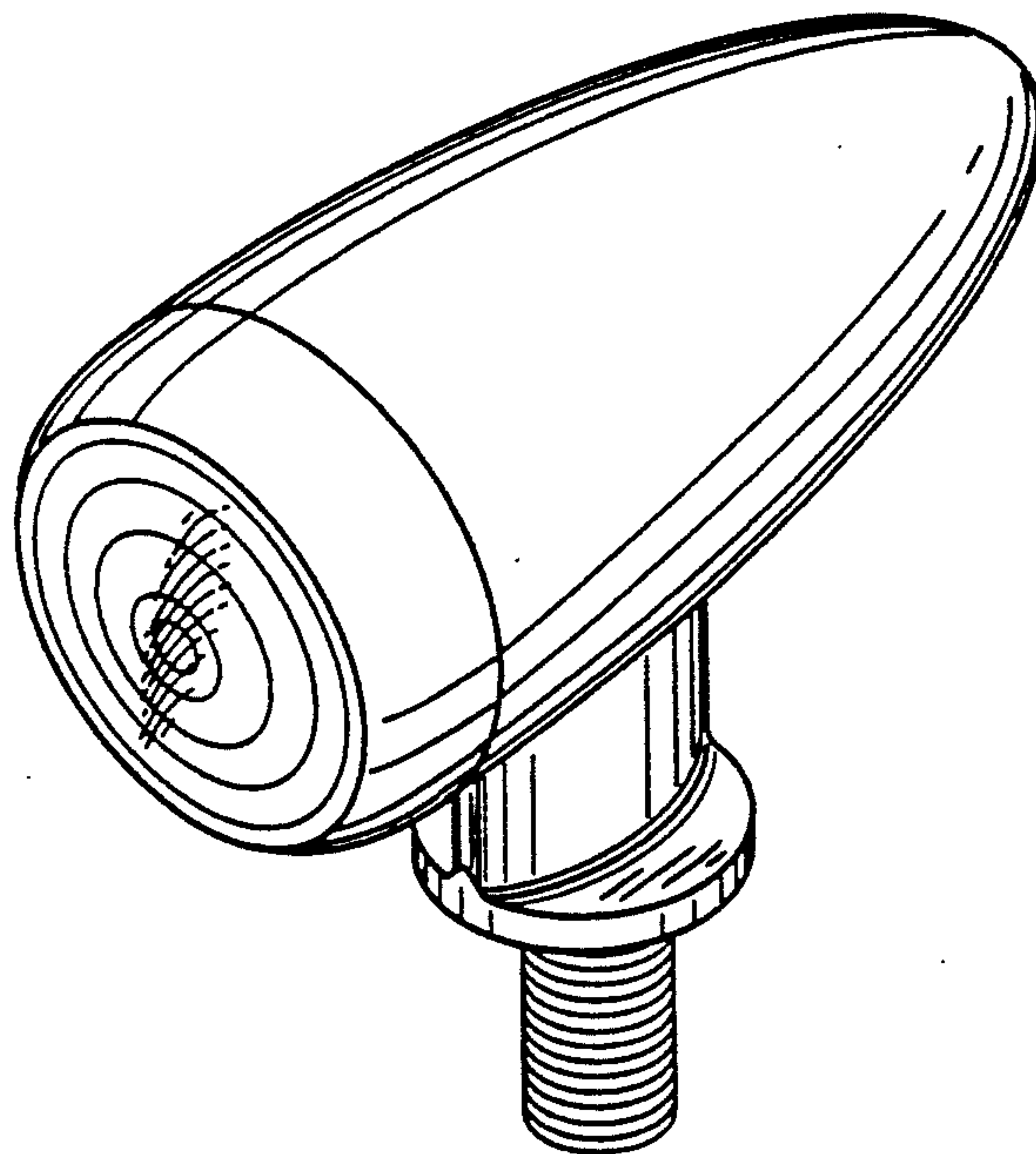


FIG. 1

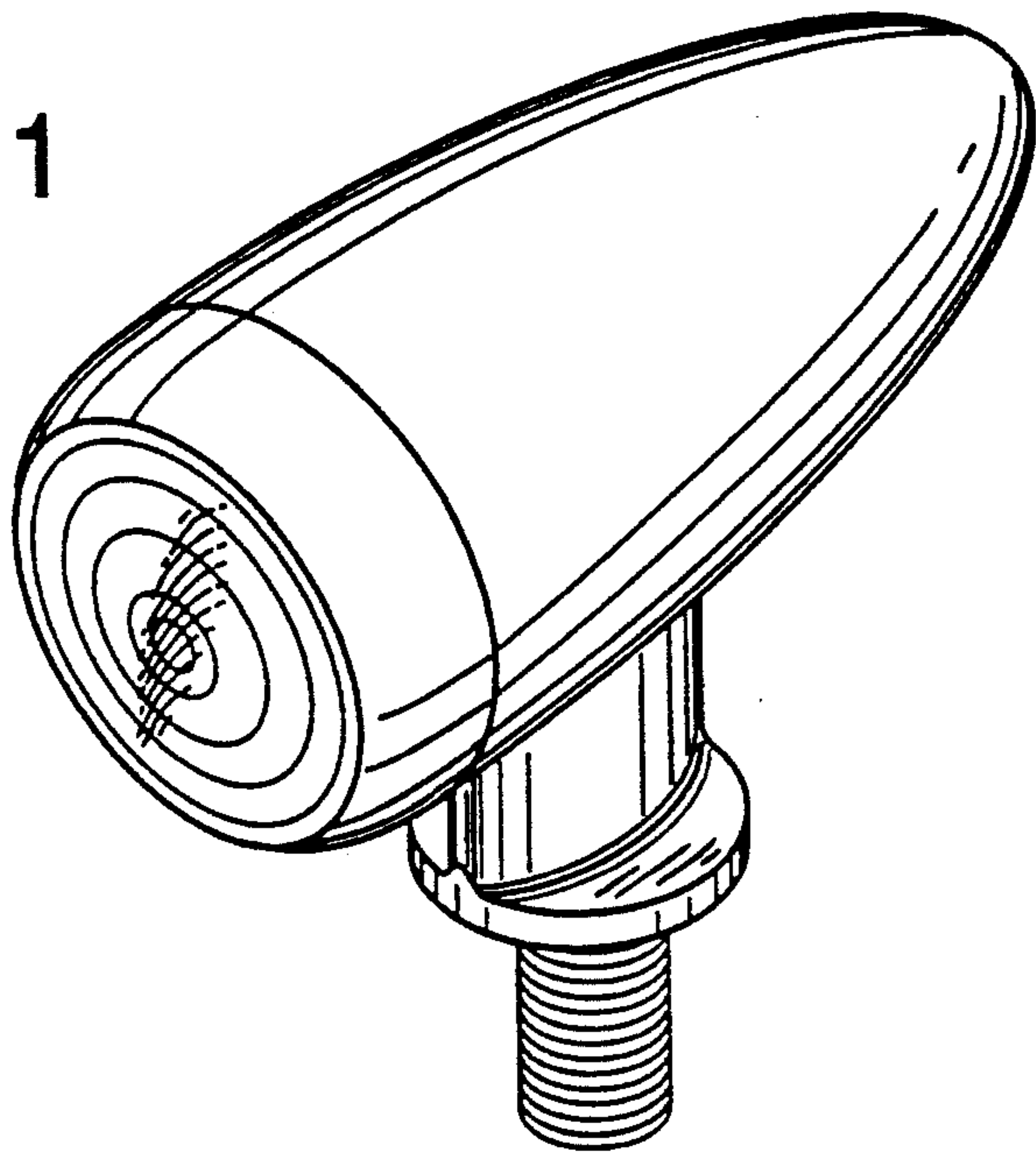


FIG. 2

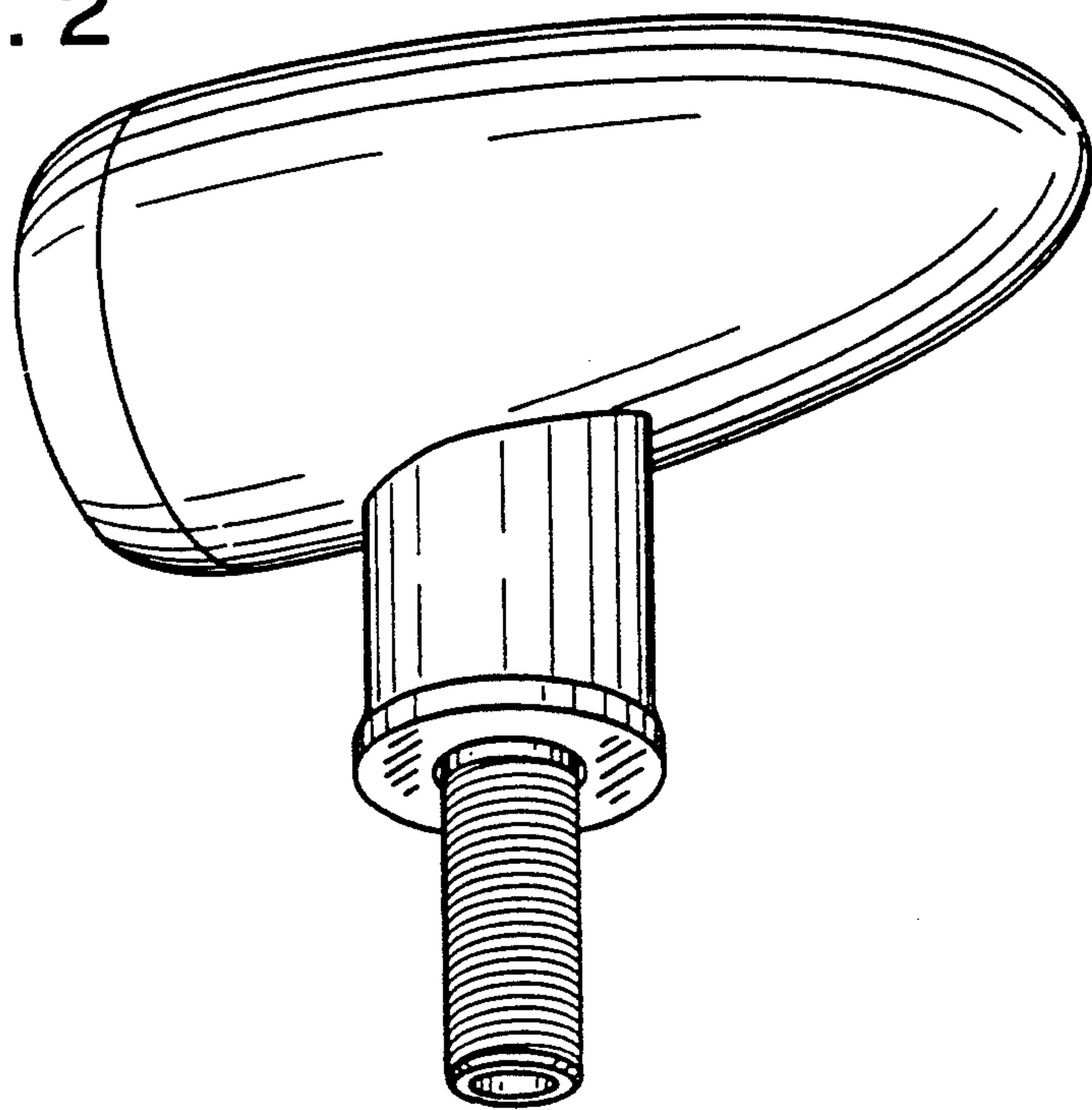


FIG. 3

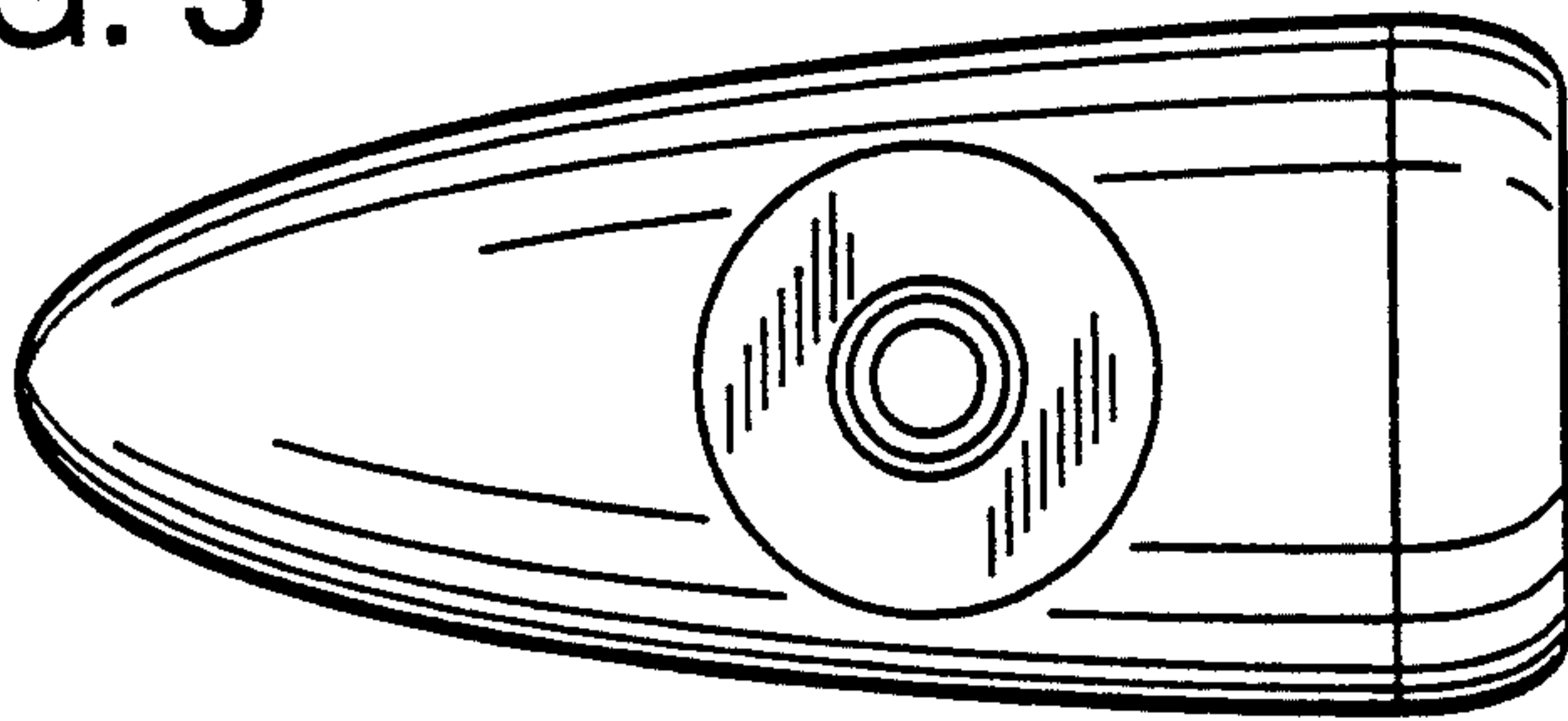


FIG. 4

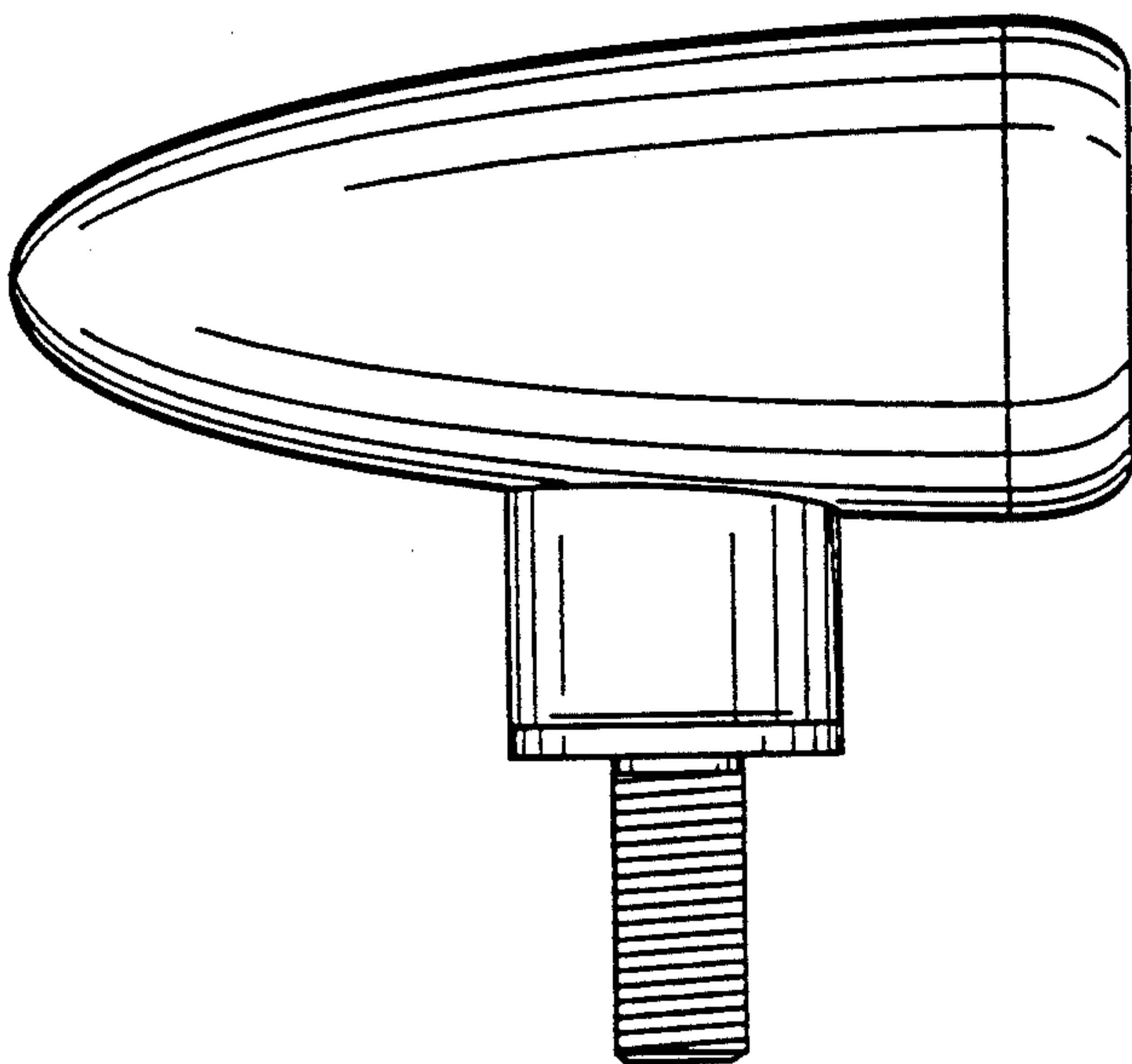


FIG. 5

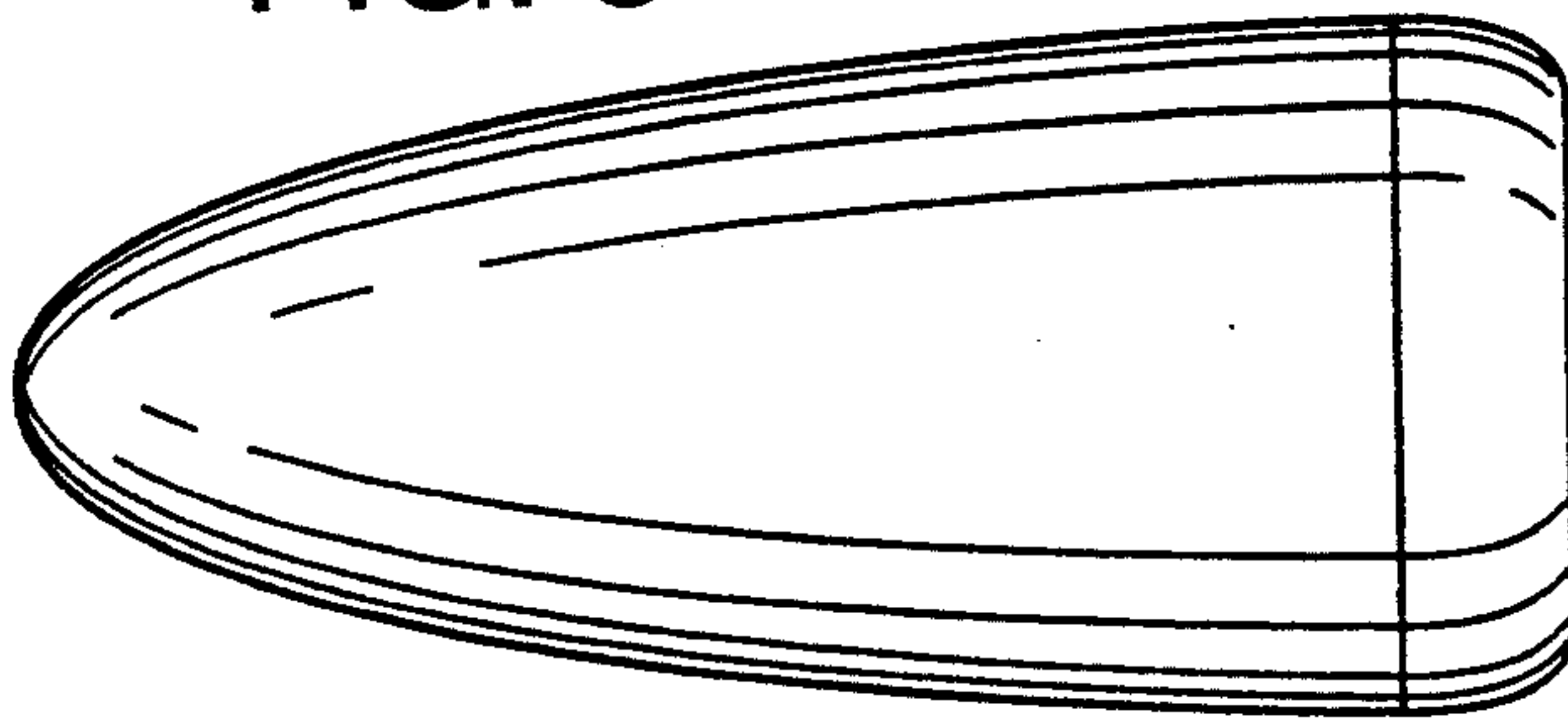


FIG. 6

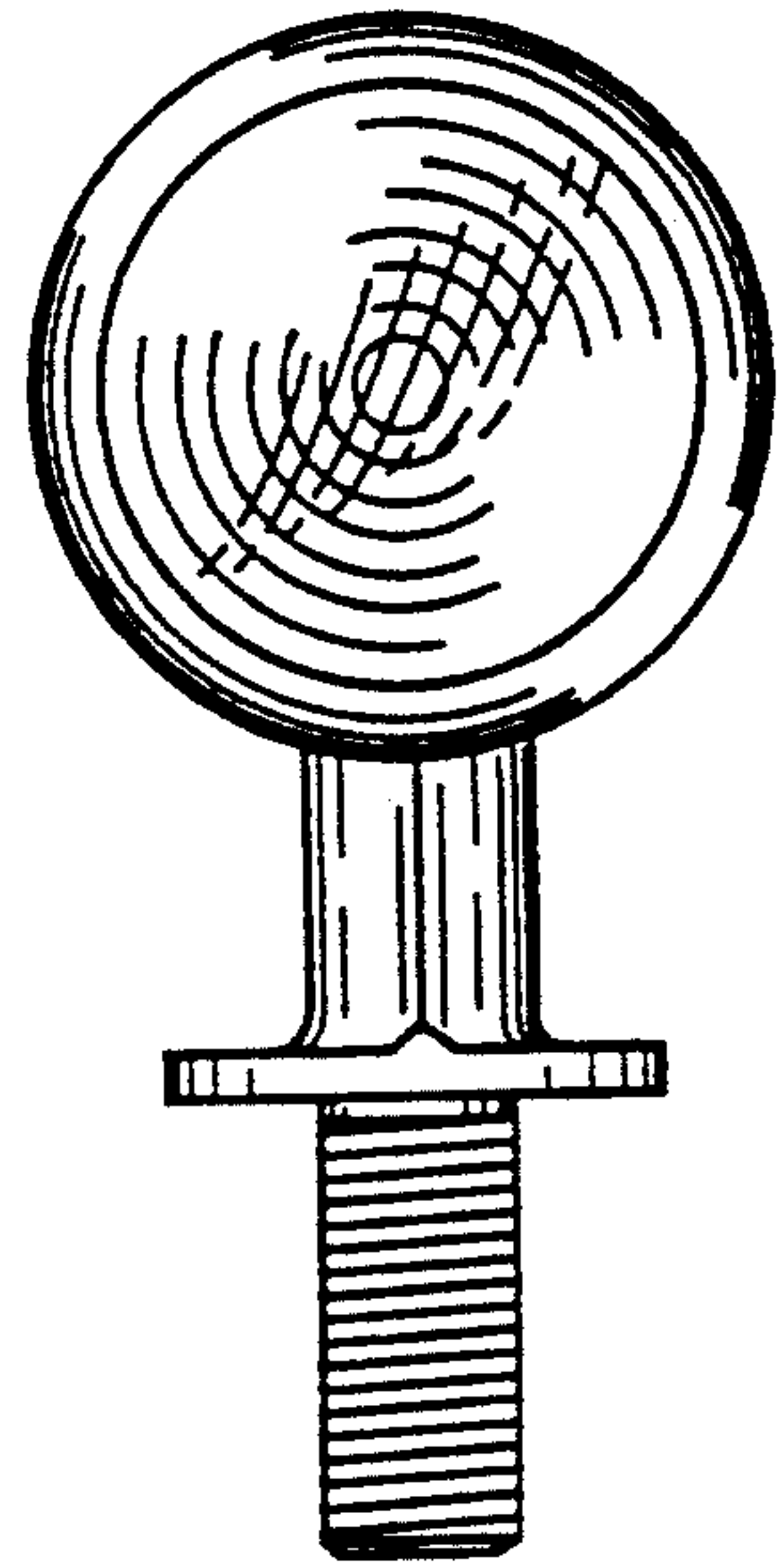


FIG. 7

