



US00D346231S

United States Patent [19]
Lai

[11] **Patent Number: Des. 346,231**

[45] **Date of Patent: ** Apr. 19, 1994**

[54] **BICYCLE LAMP**

[56] **References Cited**

U.S. PATENT DOCUMENTS

D. 324,577 3/1992 Tsuyama D26/28

[76] **Inventor: Ming-Yiu Lai**, Tien Yat Metal Ware
Factory, A1, 3, 6, 11th Floor, Block
A, Mai Hing Industrial Building,
16-18 Hing Yip Street, Kwun Tong,
Kowloon, Hong Kong

Primary Examiner—Susan J. Lucas
Attorney, Agent, or Firm—Browning, Bushman,
Anderson & Brookhart

[**] **Term: 14 Years**

[57] **CLAIM**

The ornamental design for a bicycle lamp, as shown and
described.

[21] **Appl. No.: 850,796**

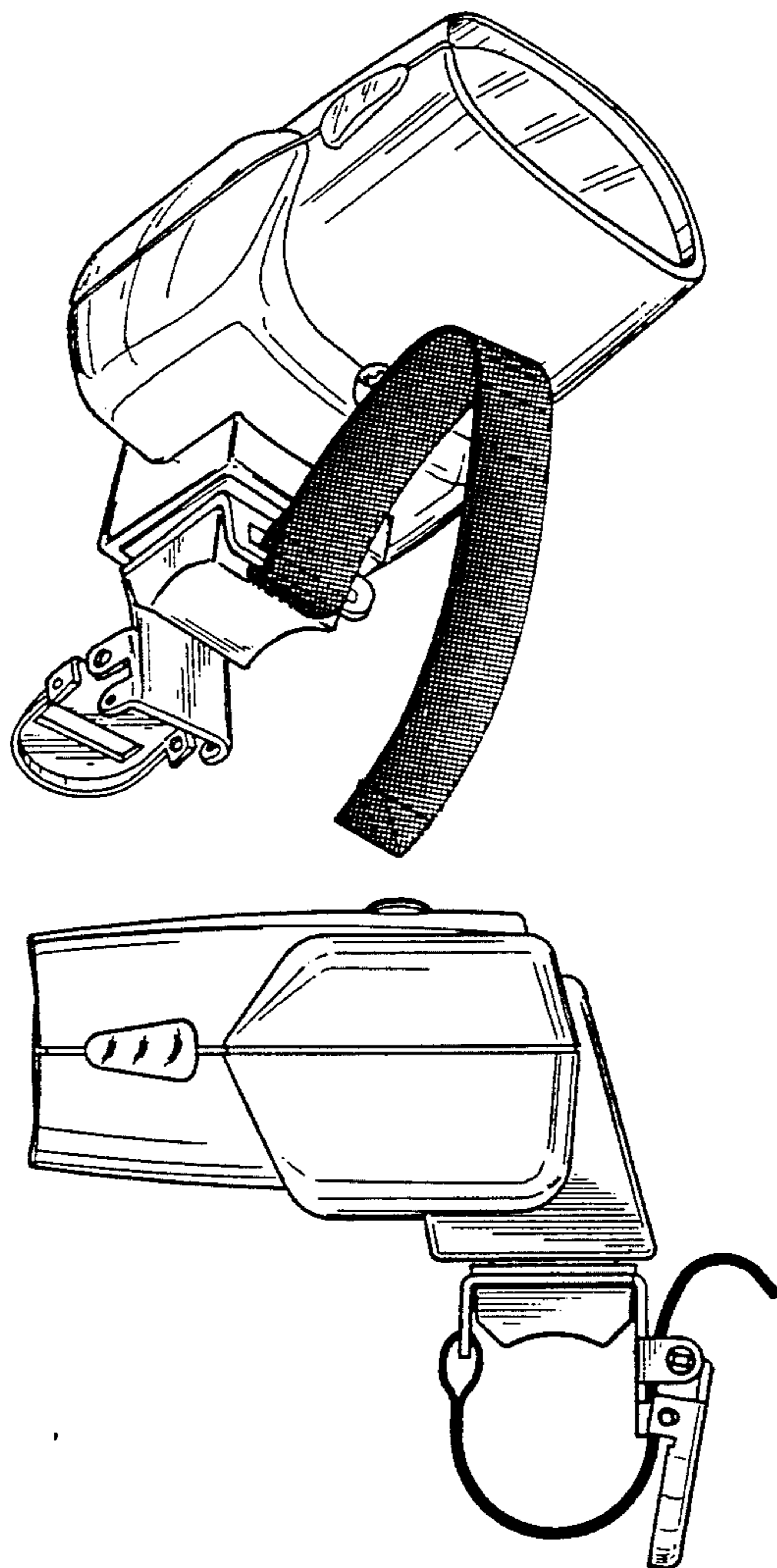
DESCRIPTION

[22] **Filed: Mar. 13, 1992**

[52] **U.S. Cl. D26/28; D26/37**

[58] **Field of Search 362/61, 73, 157, 158,
362/183-202; 340/432; D26/28-36, 37-50**

FIG. 1 is a front end perspective view from one side and
below of a bicycle lamp, showing my new design;
FIG. 2 is an elevational view of opposite side thereof;
FIG. 3 is a top plan view thereof;
FIG. 4 is an elevational view of one side thereof;
FIG. 5 is a bottom plan view thereof;
FIG. 6 is a front end elevational view thereof; and,
FIG. 7 is a rear end elevational view thereof.



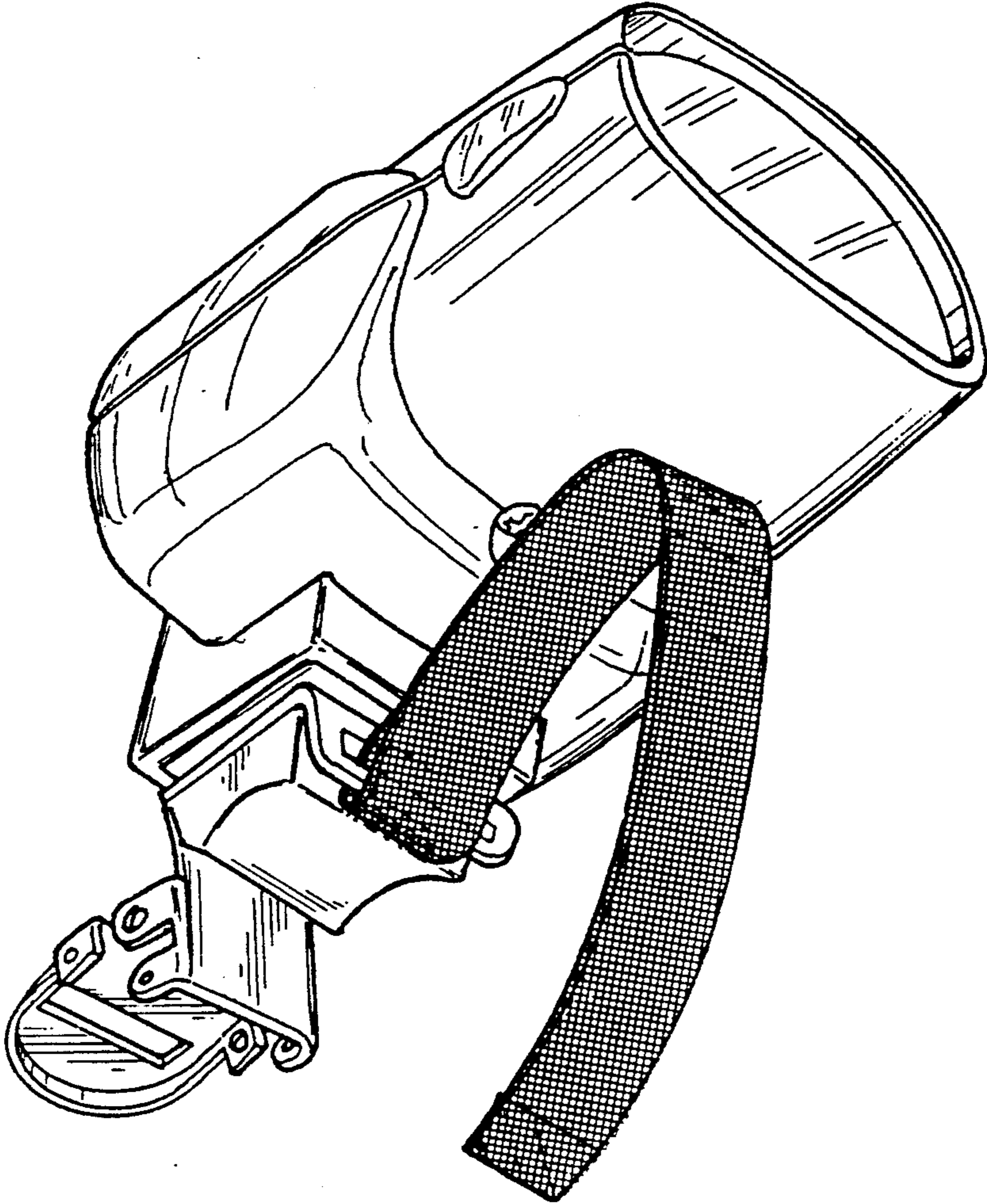


FIGURE 1

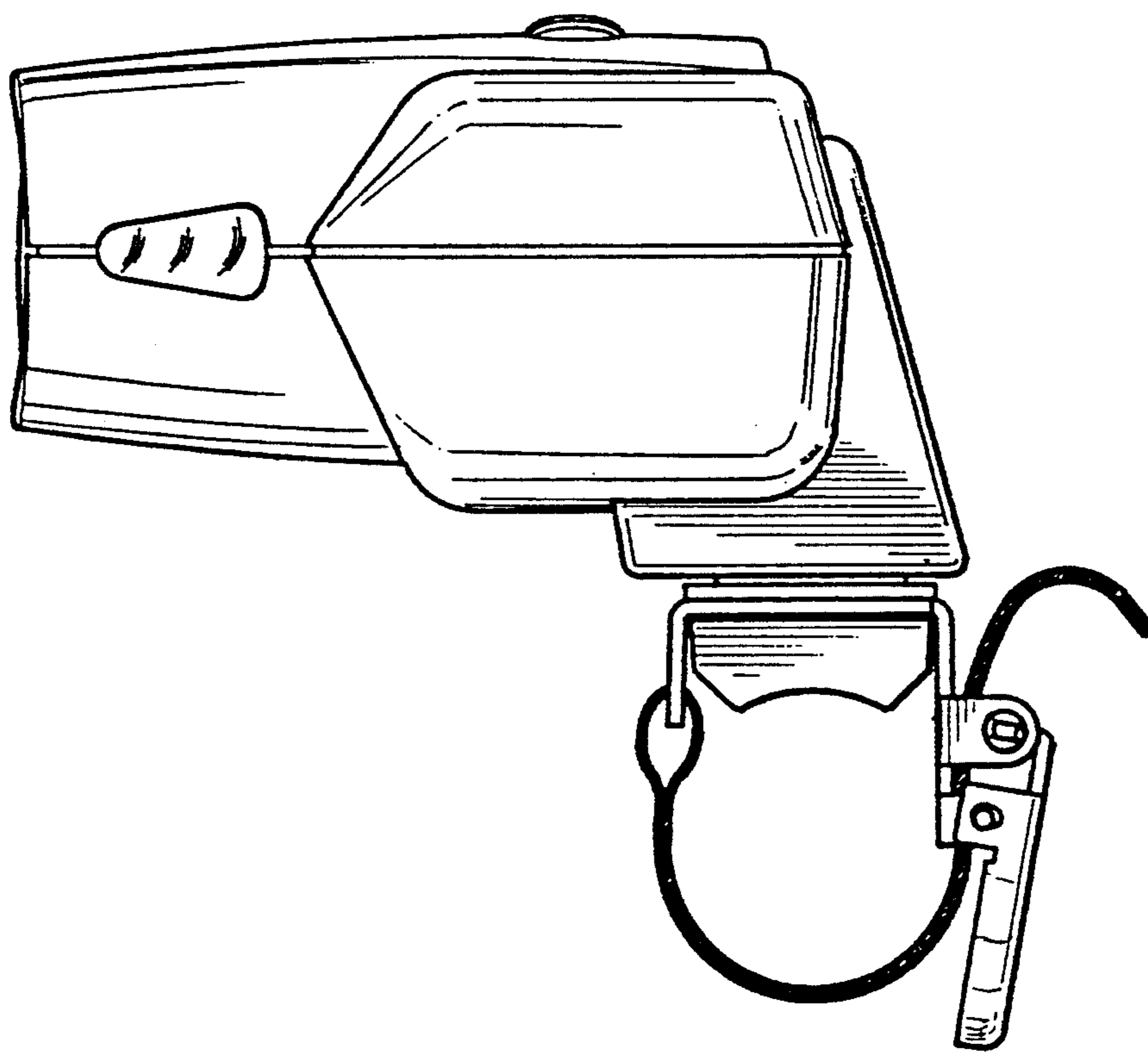


FIGURE 2

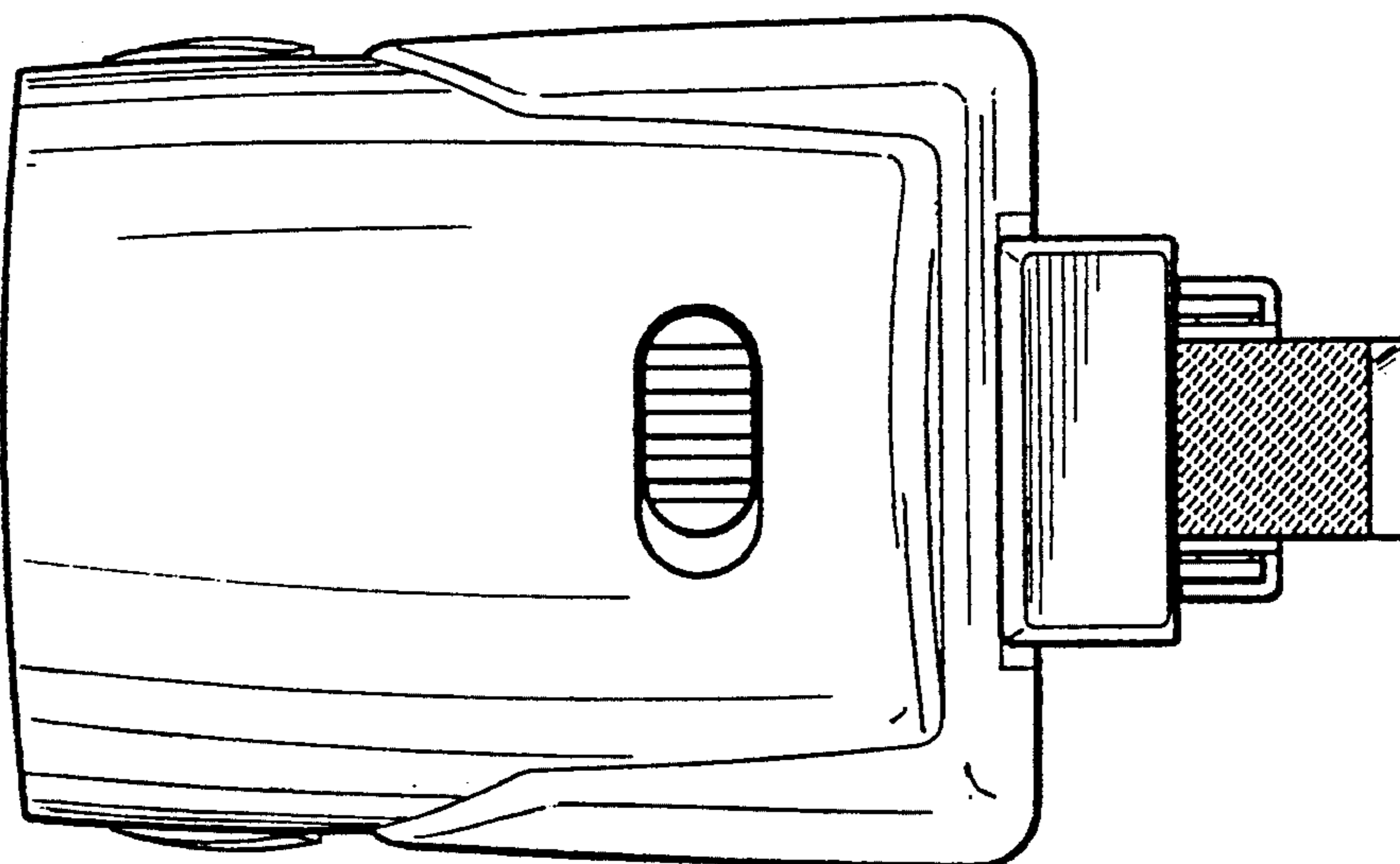


FIGURE 3

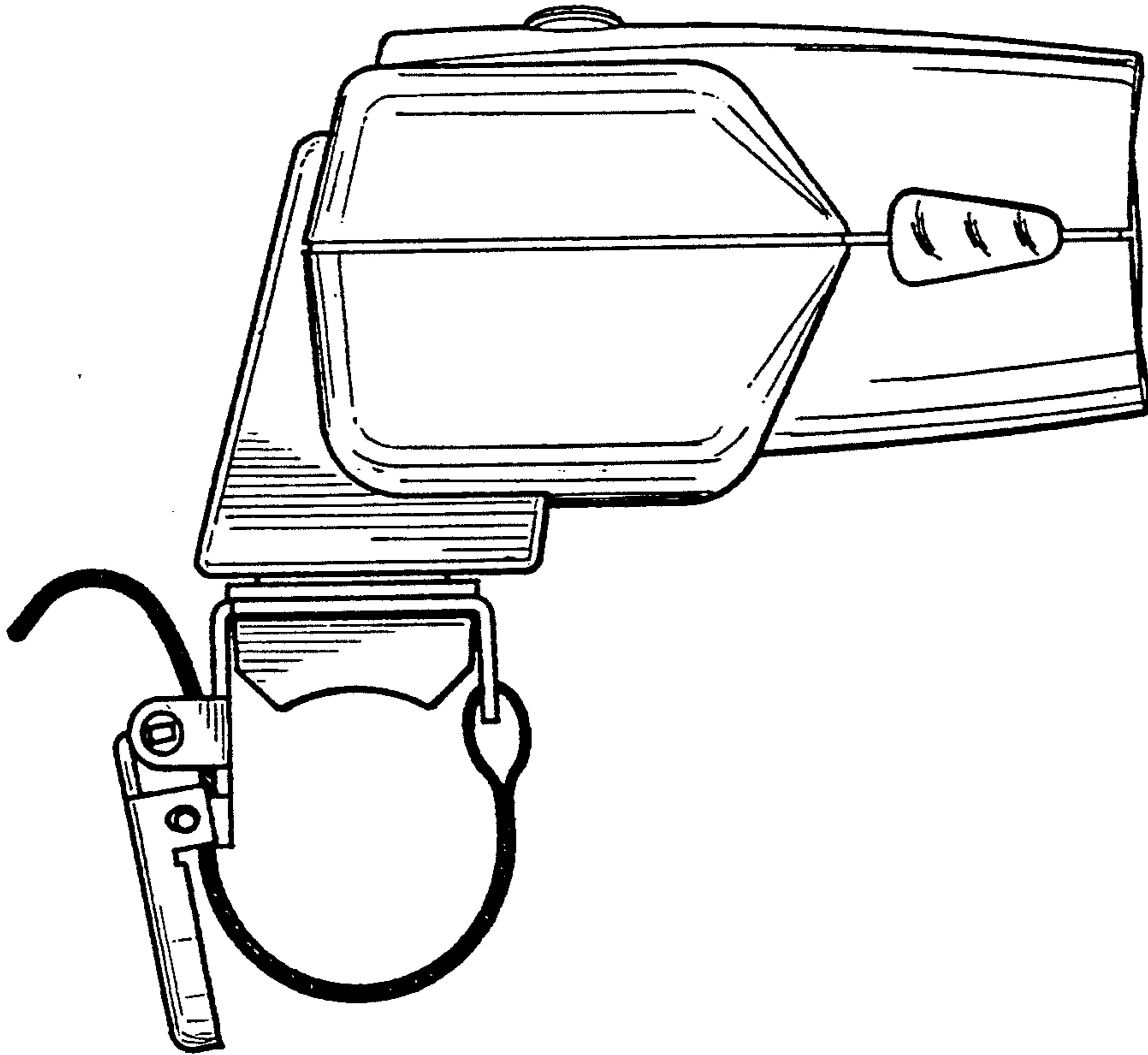


FIGURE 4

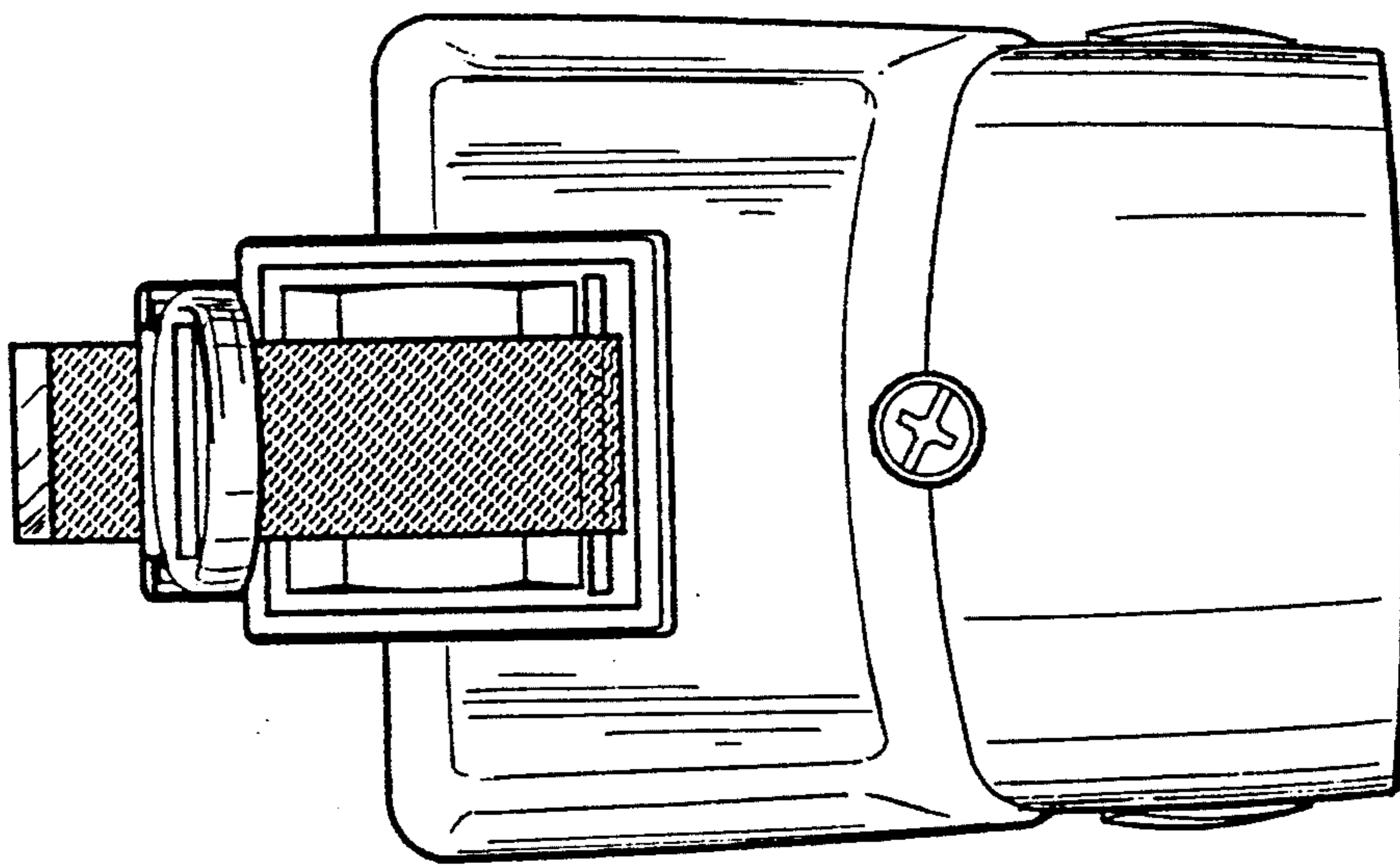


FIGURE 5

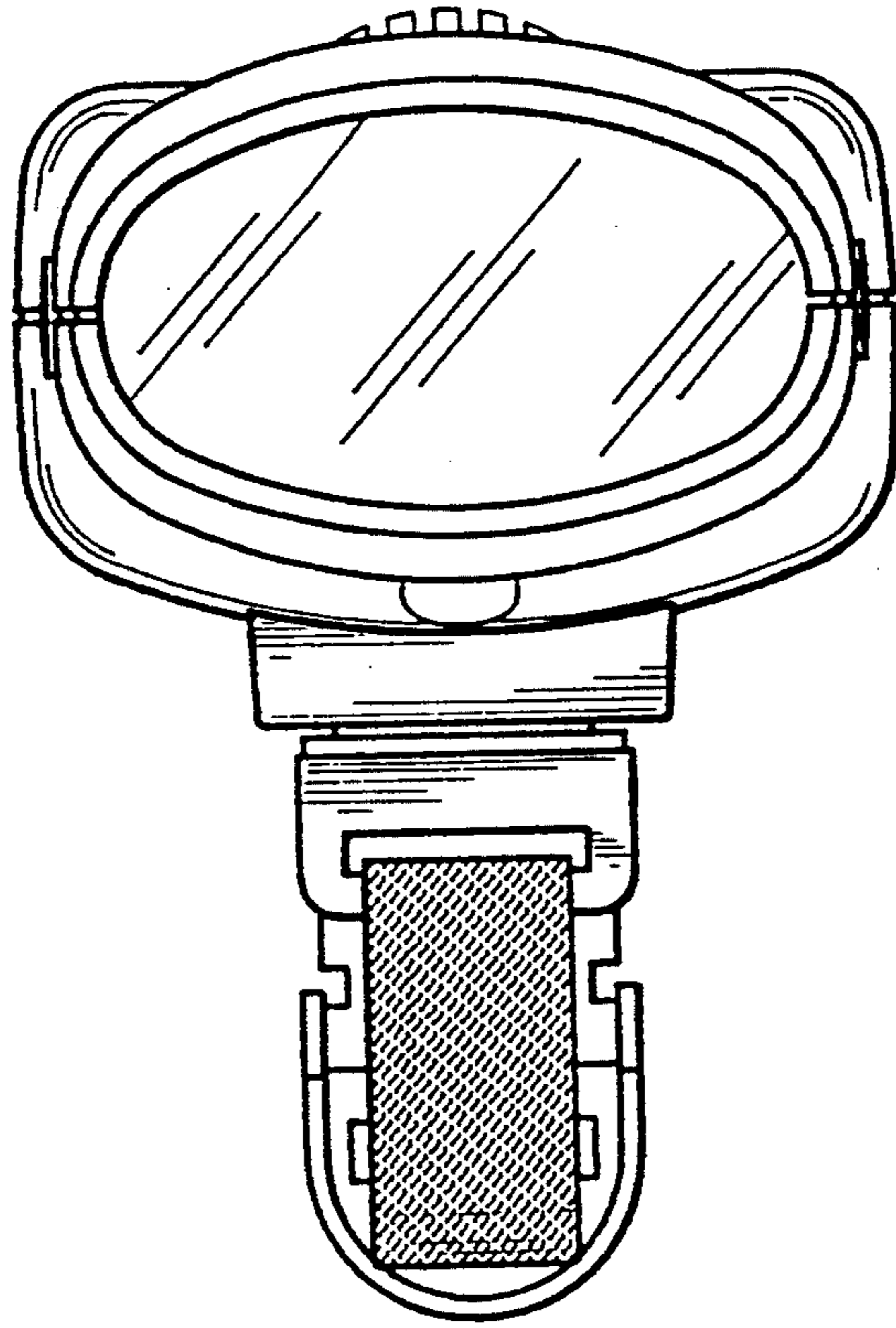


FIGURE 6

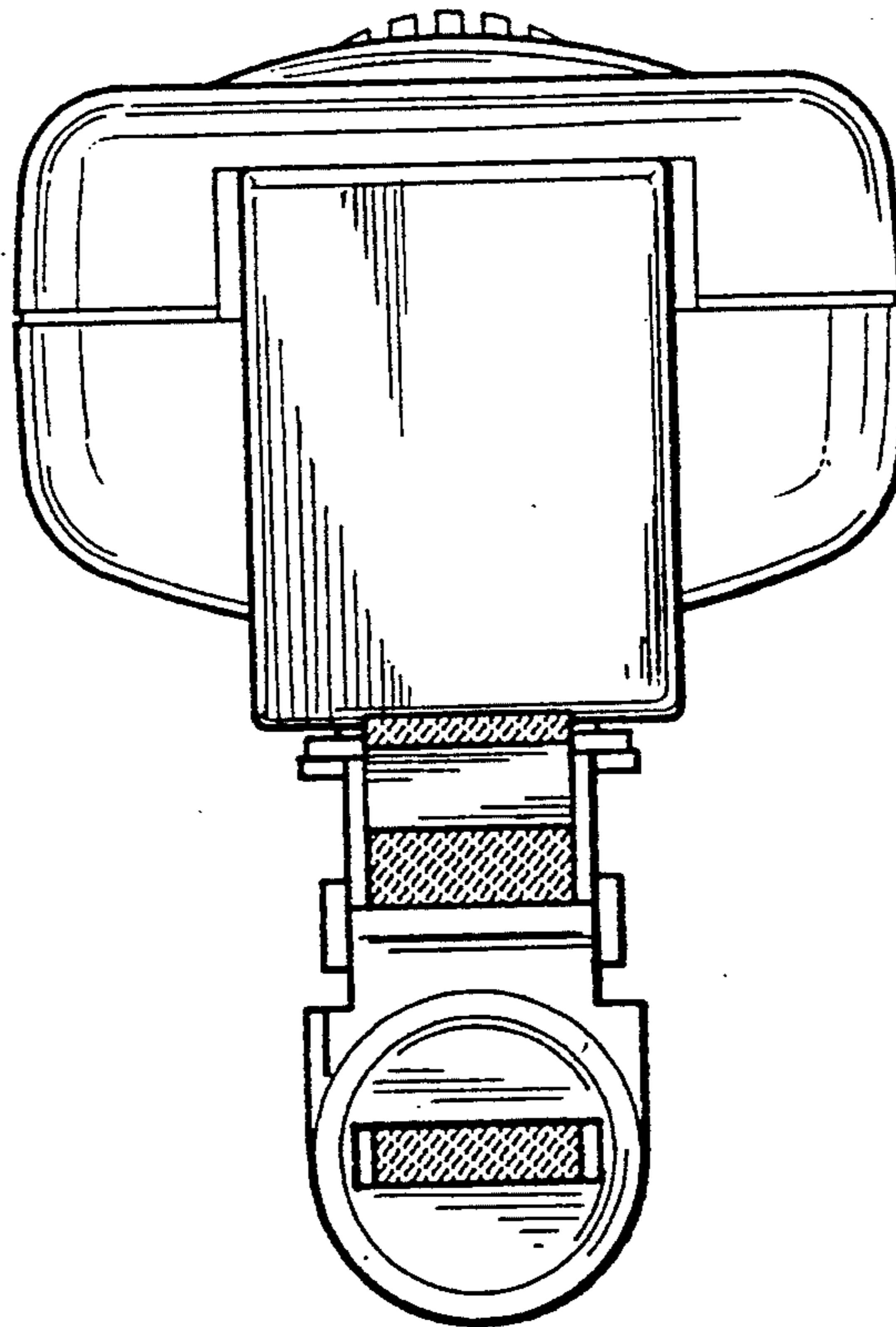


FIGURE 7