



US00D346226S

United States Patent [19]

[11] Patent Number: **Des. 346,226**

Bancroft

[45] Date of Patent: **** Apr. 19, 1994**

[54] **PANEL HEAD SILL JAMB**

[76] Inventor: **Joseph C. Bancroft**, 134 Harmony La., McComb, Miss. 39648

[**] Term: **14 Years**

[21] Appl. No.: **940,823**

[22] Filed: **Sep. 8, 1992**

[52] U.S. Cl. **D25/124**

[58] Field of Search **49/504-505, 49/DIG. 2; 52/243.1; D25/48, 124, 138**

[56] **References Cited**

U.S. PATENT DOCUMENTS

D. 243,679	3/1977	Dallane	D25/124
D. 270,666	9/1983	Cascone et al.	D25/48
D. 285,610	9/1986	Slocomb, Jr.	D25/124
2,742,117	4/1956	Tolman	49/505
4,193,231	3/1980	Molyneux	49/505

Primary Examiner—A. Hugo Word

Assistant Examiner—Doris Clark

Attorney, Agent, or Firm—Macdonald J. Wiggins

[57] **CLAIM**

The ornamental design for a panel head sill jamb, as shown and described.

DESCRIPTION

FIG. 1 is a fragmentary top perspective view of the panel head sill jamb showing my design;

FIG. 2 is a top plan view thereof broken away to indicate indeterminate length;

FIG. 3 is bottom plan view thereof broken away to indicate indeterminate length;

FIG. 4 is a front elevational view thereof in which the rear elevational view is a mirror image of the front view;

FIG. 5 a right elevational view thereof broken away to indicate indeterminate length; and,

FIG. 6 is a left elevational view thereof broken away to indicate indeterminate length.

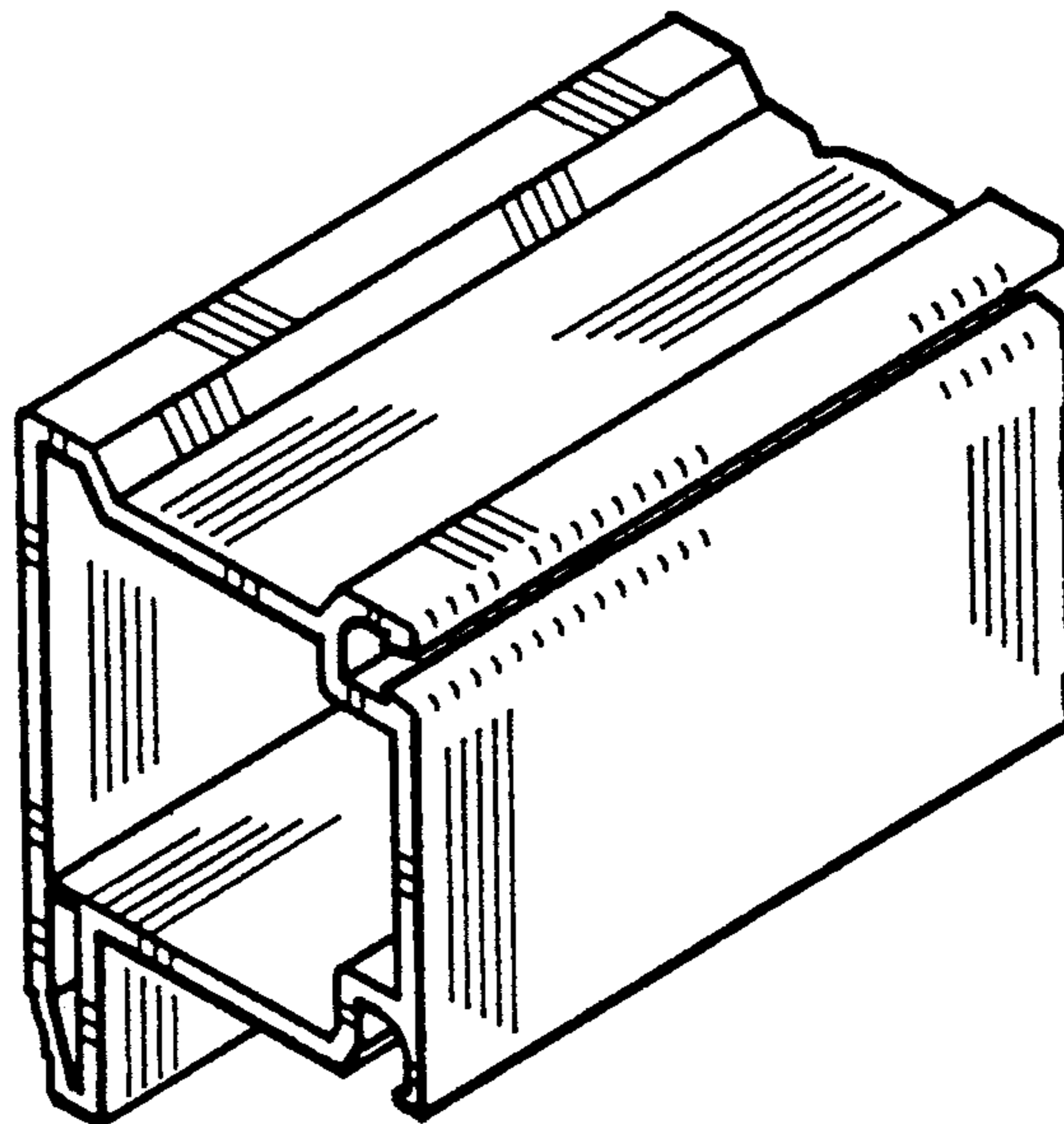


FIG. 1

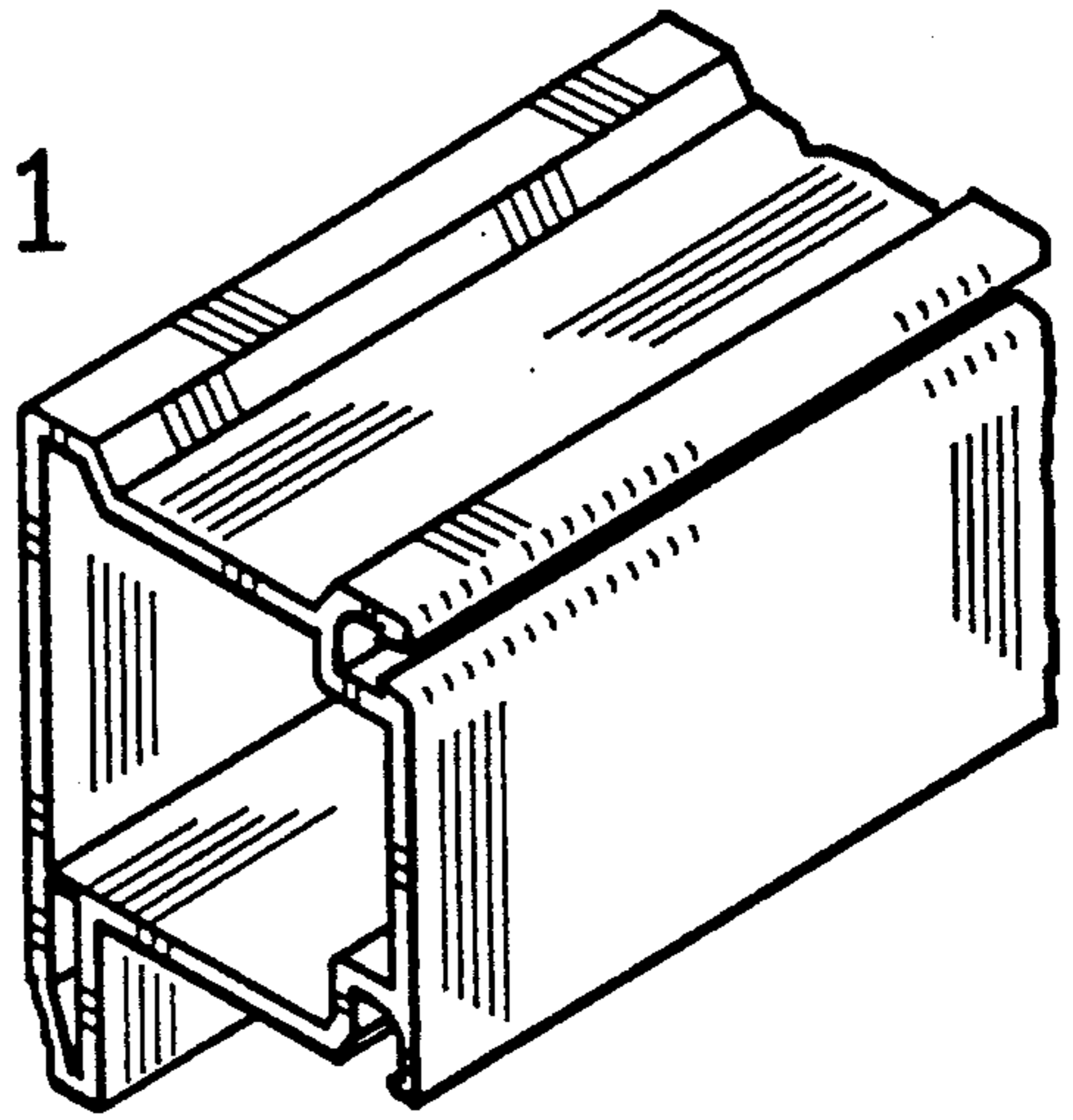


FIG. 2

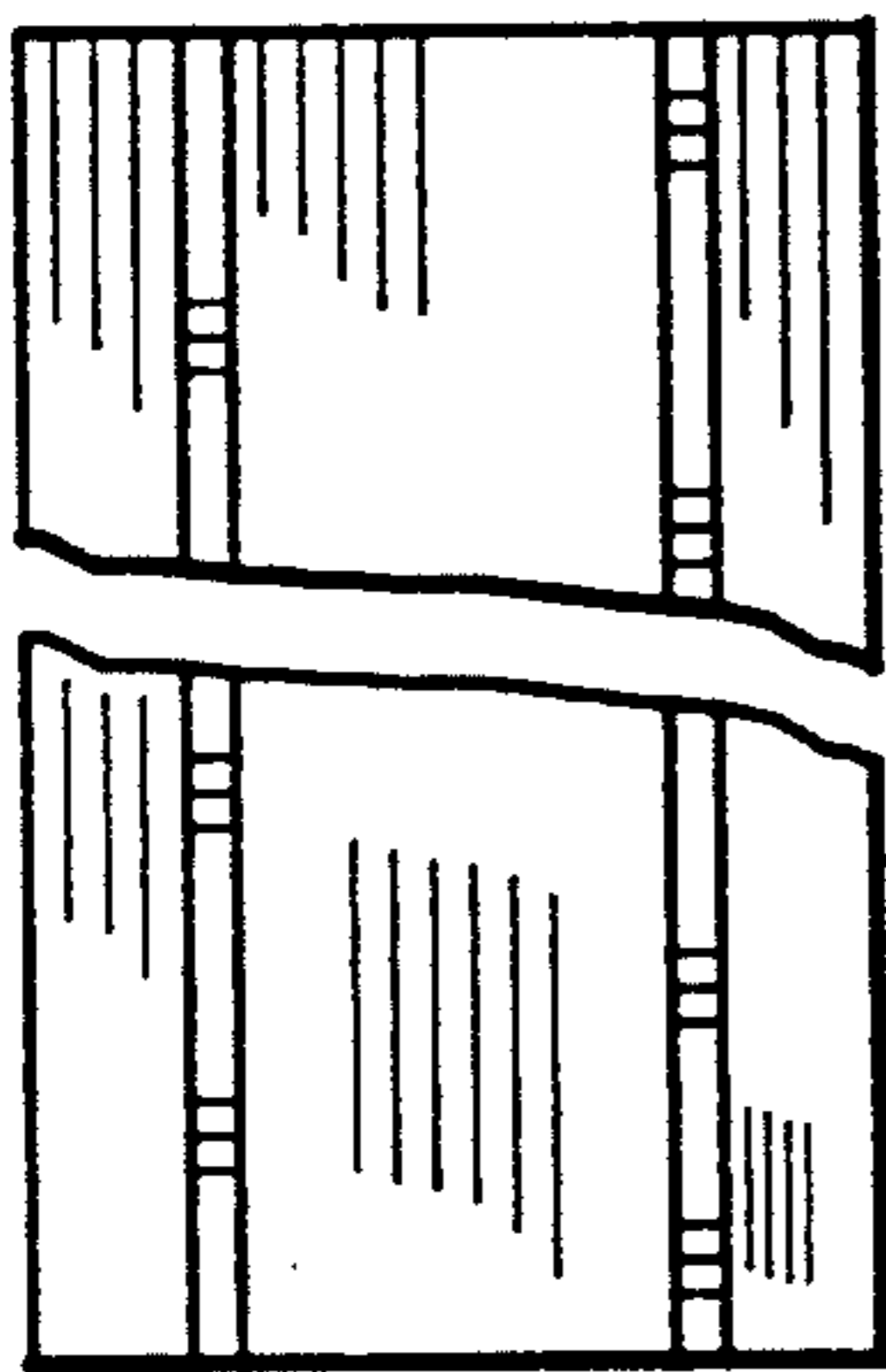


FIG. 3

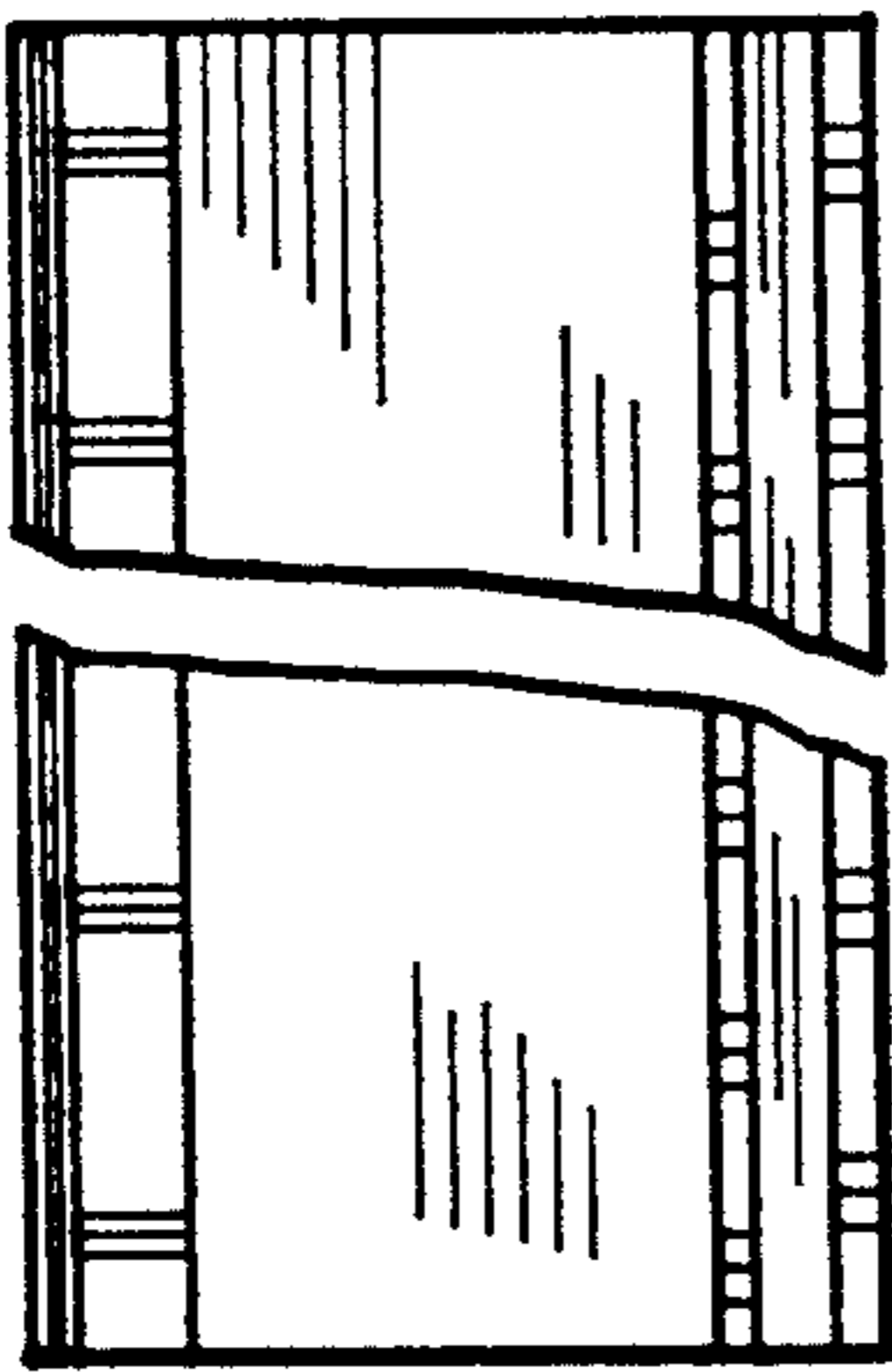


FIG. 4

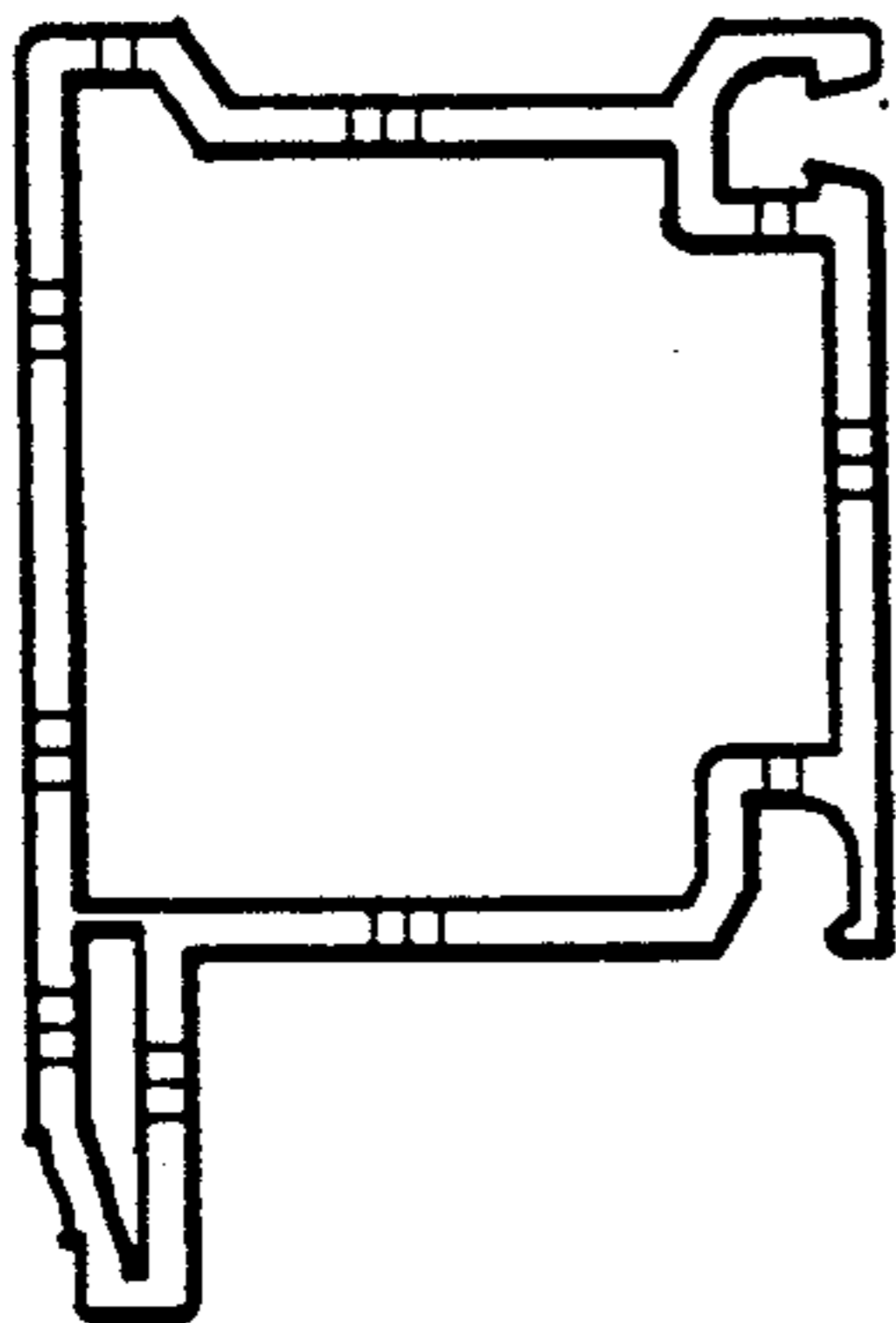


FIG. 5

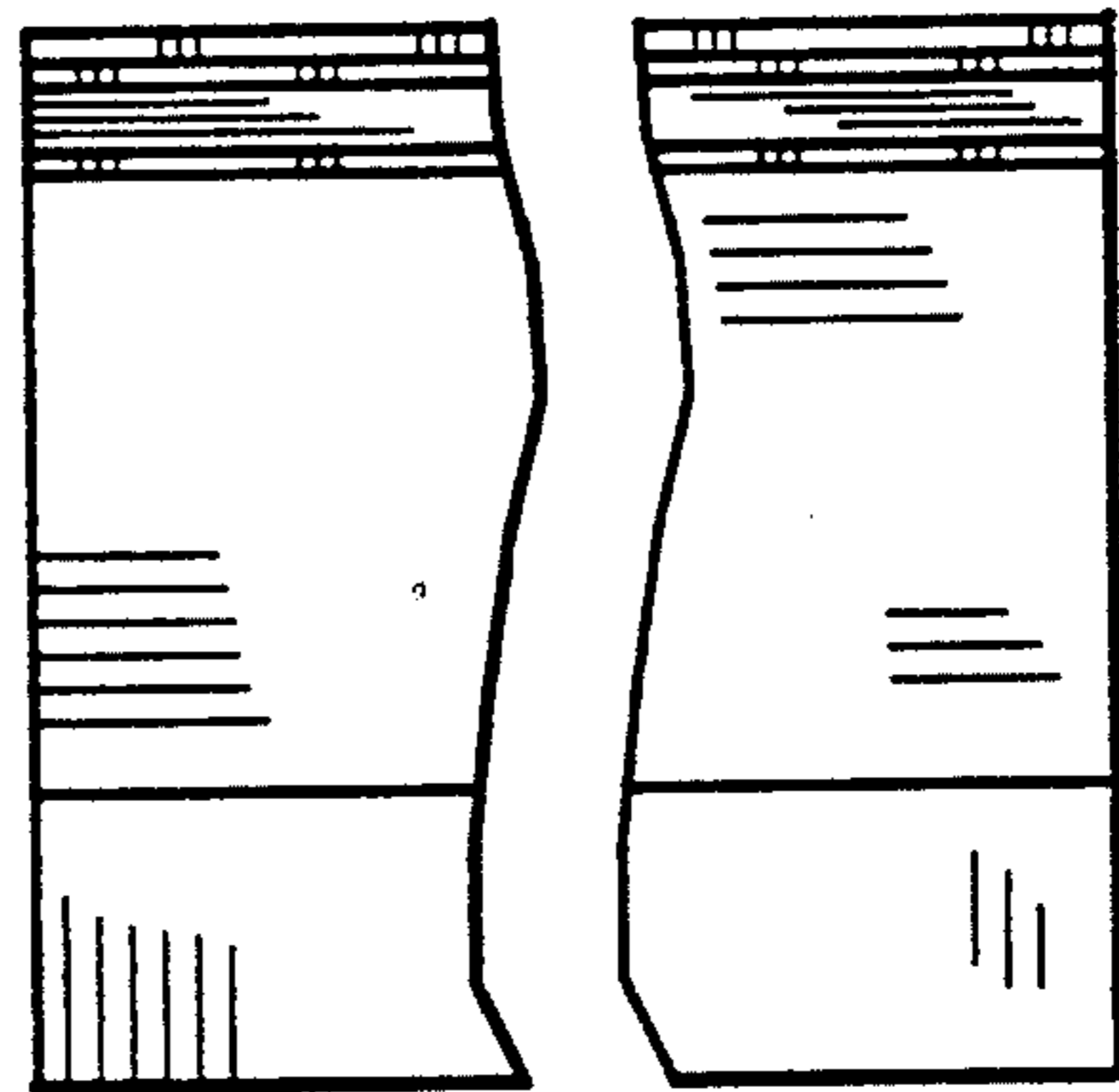


FIG. 6

