



US00D346225S

United States Patent [19]

Bancroft

[11] Patent Number: **Des. 346,225**

[45] Date of Patent: **** Apr. 19, 1994**

[54] **EXTERIOR TRIM**

[76] Inventor: **Joseph C. Bancroft**, 134 Harmony La., McComb, Miss. 39648

[**] Term: **14 Years**

[21] Appl. No.: **940,827**

[22] Filed: **Sep. 8, 1992**

[52] U.S. Cl. **D25/119**

[58] Field of Search **49/504, 521, DIG. 2; D25/60, 124, 119**

[56] **References Cited**

U.S. PATENT DOCUMENTS

D. 248,327	6/1978	South	D25/119
1,984,134	12/1934	Himmel et al.	D25/119
2,851,742	9/1958	Johnston	D25/60
3,375,031	3/1968	Dargene	D25/119
4,949,506	8/1990	Durham, Jr.	49/DIG. 2

Primary Examiner—A. Hugo Word

Assistant Examiner—Doris Clark
Attorney, Agent, or Firm—Macdonald J. Wiggins

[57] **CLAIM**

The ornamental design for an exterior trim, as shown and described.

DESCRIPTION

FIG. 1 is a fragmentary top perspective view of the exterior trim showing my design;
 FIG. 2 is a top plan view thereof broken away to indicate indeterminate length;
 FIG. 3 is bottom plan view thereof broken away to indicate indeterminate length;
 FIG. 4 is a front elevational view thereof in which the rear elevational view is a mirror image of the front view;
 FIG. 5 a right elevational view thereof broken away to indicate indeterminate length; and,
 FIG. 6 is a left elevational view thereof broken away to indicate indeterminate length.

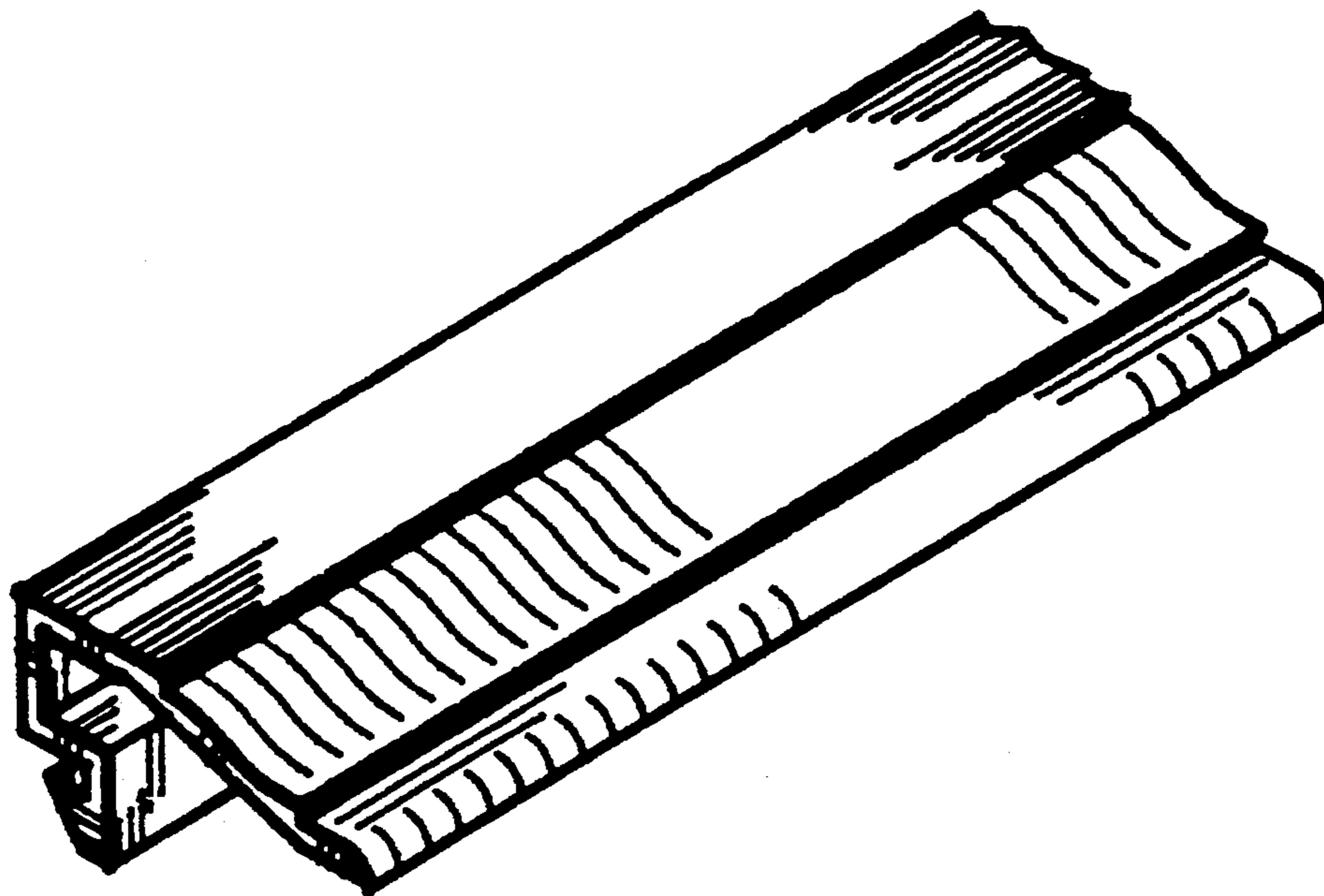


FIG. 1

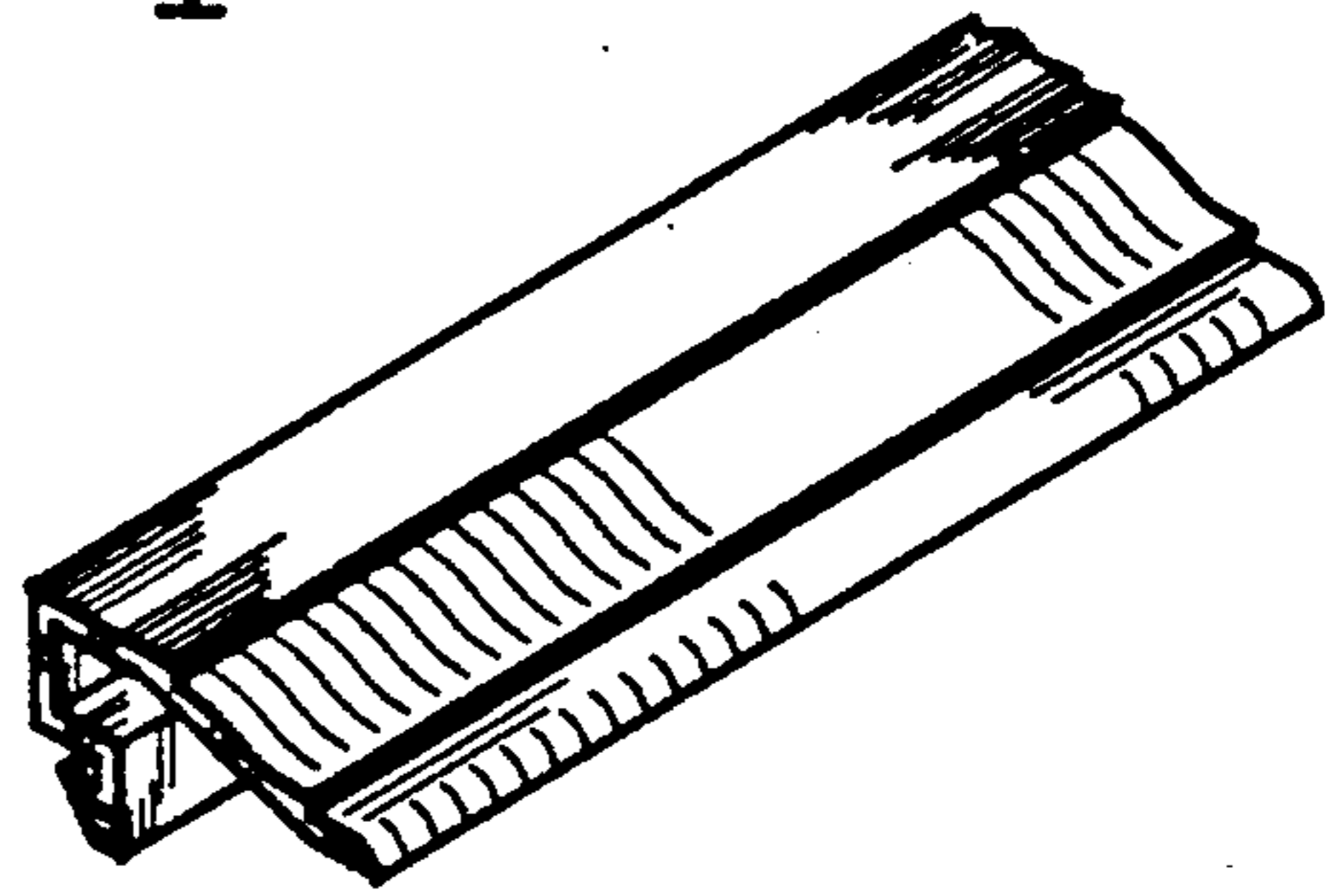


FIG. 2

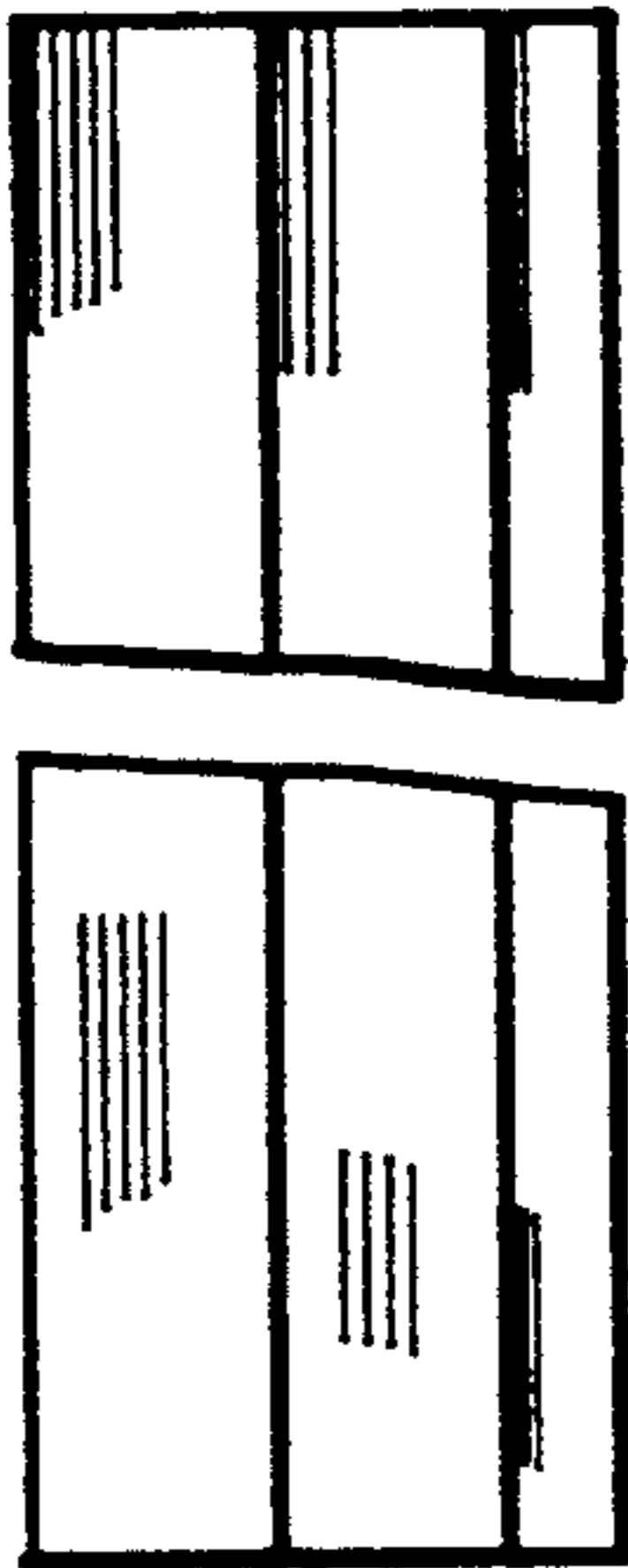


FIG. 3

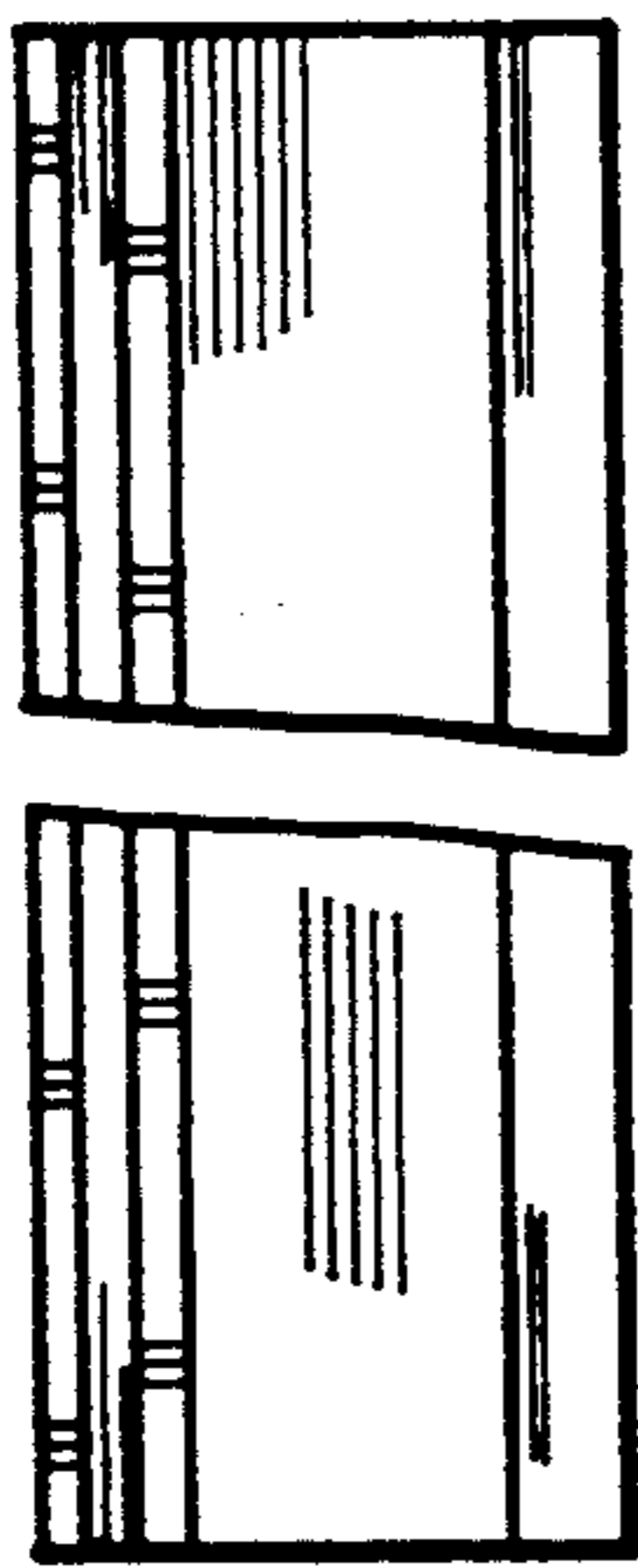


FIG. 4



FIG. 5



FIG. 6

