



US00D346224S

United States Patent [19]

[11] Patent Number: **Des. 346,224**

McClinton et al.

[45] Date of Patent: **** Apr. 19, 1994**

[54] COATED MASONRY BUILDING BLOCK

DESCRIPTION

[75] Inventors: **John L. McClinton, Hanover; Russell P. Rich, Lutherville, both of Md.**

FIG. 1 is an isometric view of one embodiment of our new design for coated masonry building block;

[73] Assignee: **The Burns & Russell Company, Baltimore, Md.**

FIG. 2 is a top view of the embodiment of FIG. 1;

[**] Term: **14 Years**

FIG. 3 is a bottom view of the embodiment of FIG. 1; FIG. 4 is a side elevational view of the embodiment of FIG. 1;

[21] Appl. No.: **791,649**

FIG. 5 is a front elevational view of the embodiment of FIG. 1;

[22] Filed: **Nov. 14, 1991**

FIG. 6 is a rear elevational view of the embodiment of FIG. 1;

[52] U.S. Cl. **D25/118**

FIG. 7 is an isometric view showing a second embodiment of our new design for coated masonry building block;

[58] Field of Search **404/19, 28-30, 404/34, 39; 52/596, 598, 602, 605, 607-610, 612, 597, 599, 603, 606, 611; D25/112-118, 151; D21/108**

FIG. 8 is a top view of the embodiment of FIG. 7;

FIG. 9 is a bottom view of the embodiment of FIG. 7; FIG. 10 is a side elevational view of the embodiment of FIG. 7;

[56] References Cited

U.S. PATENT DOCUMENTS

2,343,302 3/1944 Harza D25/113
3,194,724 7/1965 Sergovic 52/596

FIG. 11 is a front elevational view of the embodiment of FIG. 7;

FIG. 12 is a rear elevational view of the embodiment of FIG. 7;

FOREIGN PATENT DOCUMENTS

34804 12/1964 Fed. Rep. of Germany ... D25/-30, 404 138
704622 5/1931 France 52/606

FIG. 13 is an isometric view showing a third embodiment of our new design for coated masonry building block;

FIG. 14 is a top view of the embodiment of FIG. 13; FIG. 15 is a bottom view of the embodiment of FIG. 13;

FIG. 16 is a side elevational view of the embodiment of FIG. 13;

Primary Examiner—Stella Reid
Assistant Examiner—Doris Clark
Attorney, Agent, or Firm—Pollock, Vande Sande & Priddy

FIG. 17 is a front elevational view of the embodiment of FIG. 13;

FIG. 18 is an isometric view showing a fourth embodiment of our new design for coated masonry building block;

FIG. 19 is a top view of the embodiment of FIG. 18; FIG. 20 is a bottom view of the embodiment of FIG. 18;

FIG. 21 is a side elevational view of the embodiment of FIG. 18; and,

[57] CLAIM

The ornamental design for a coated masonry building block, as shown and described.

FIG. 22 is a front elevational view of the embodiment of FIG. 18.

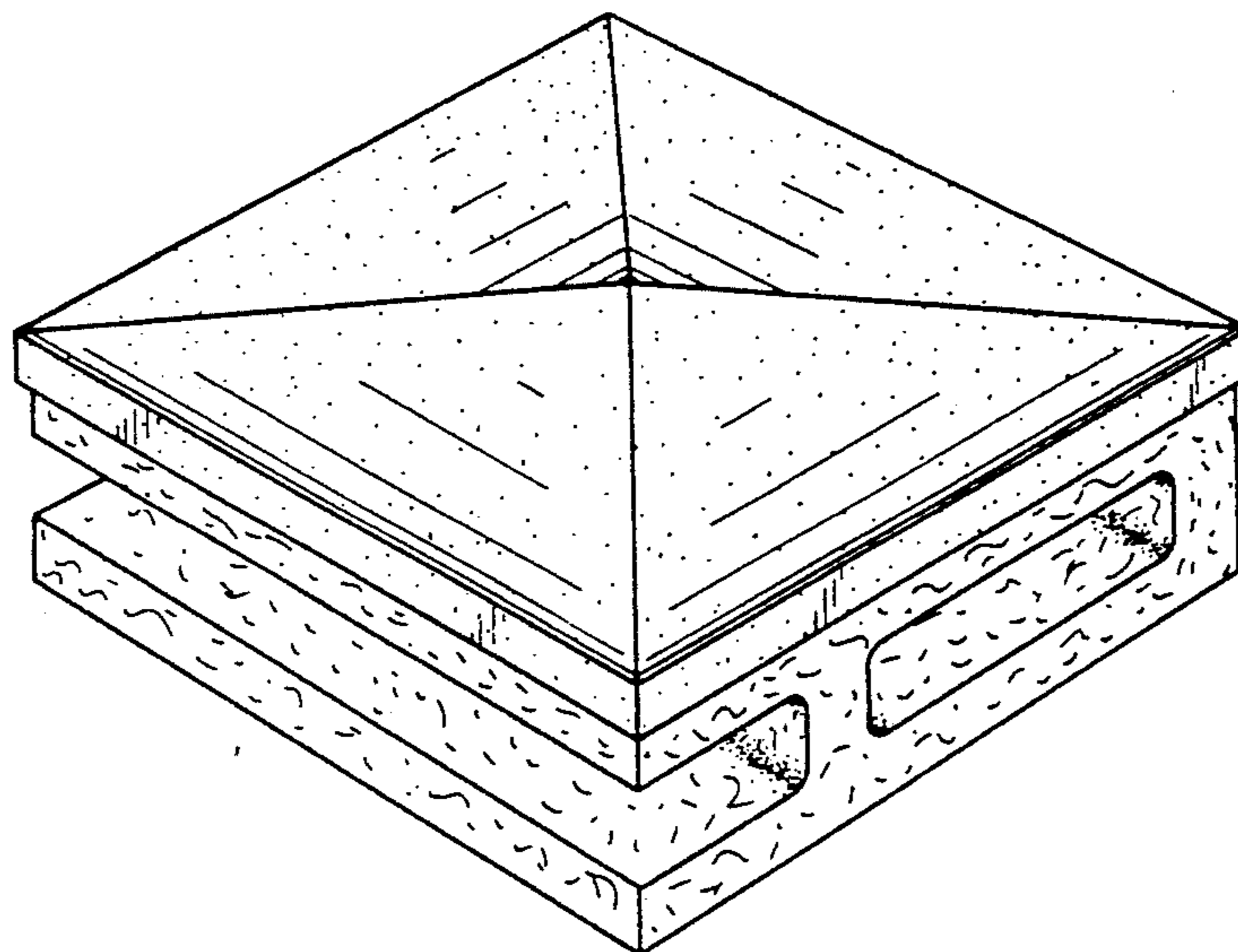


FIG. 1

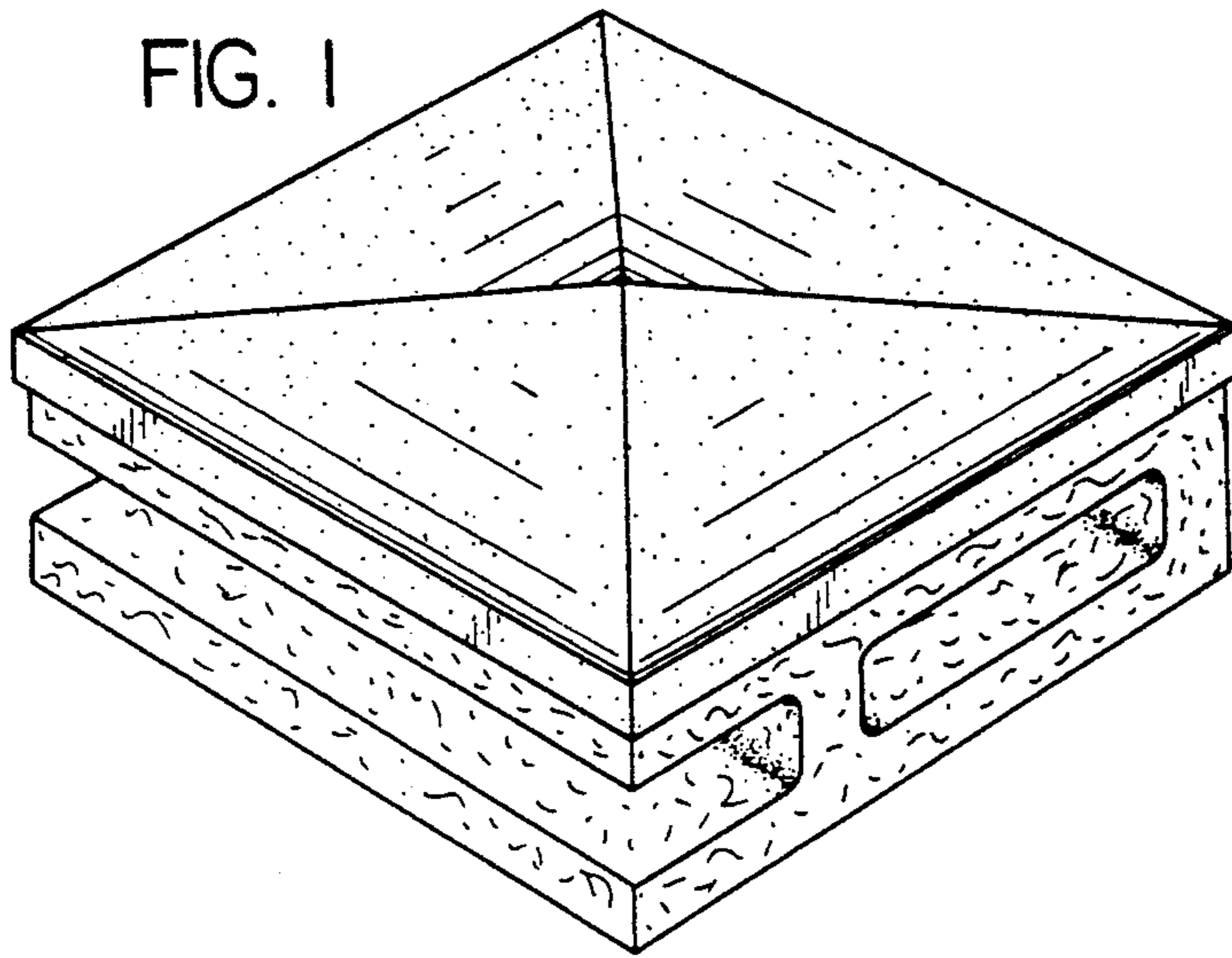


FIG. 2

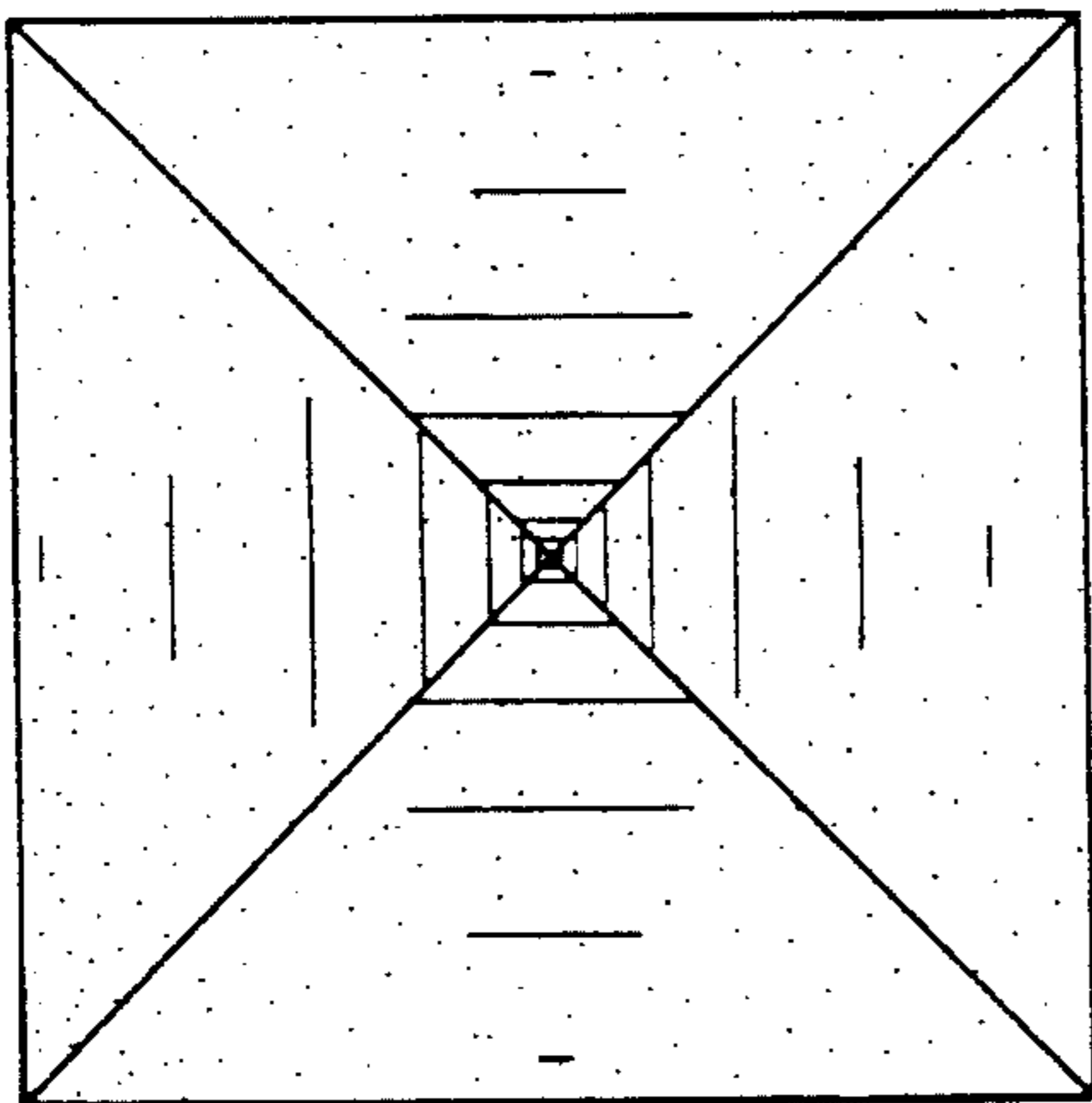


FIG. 3

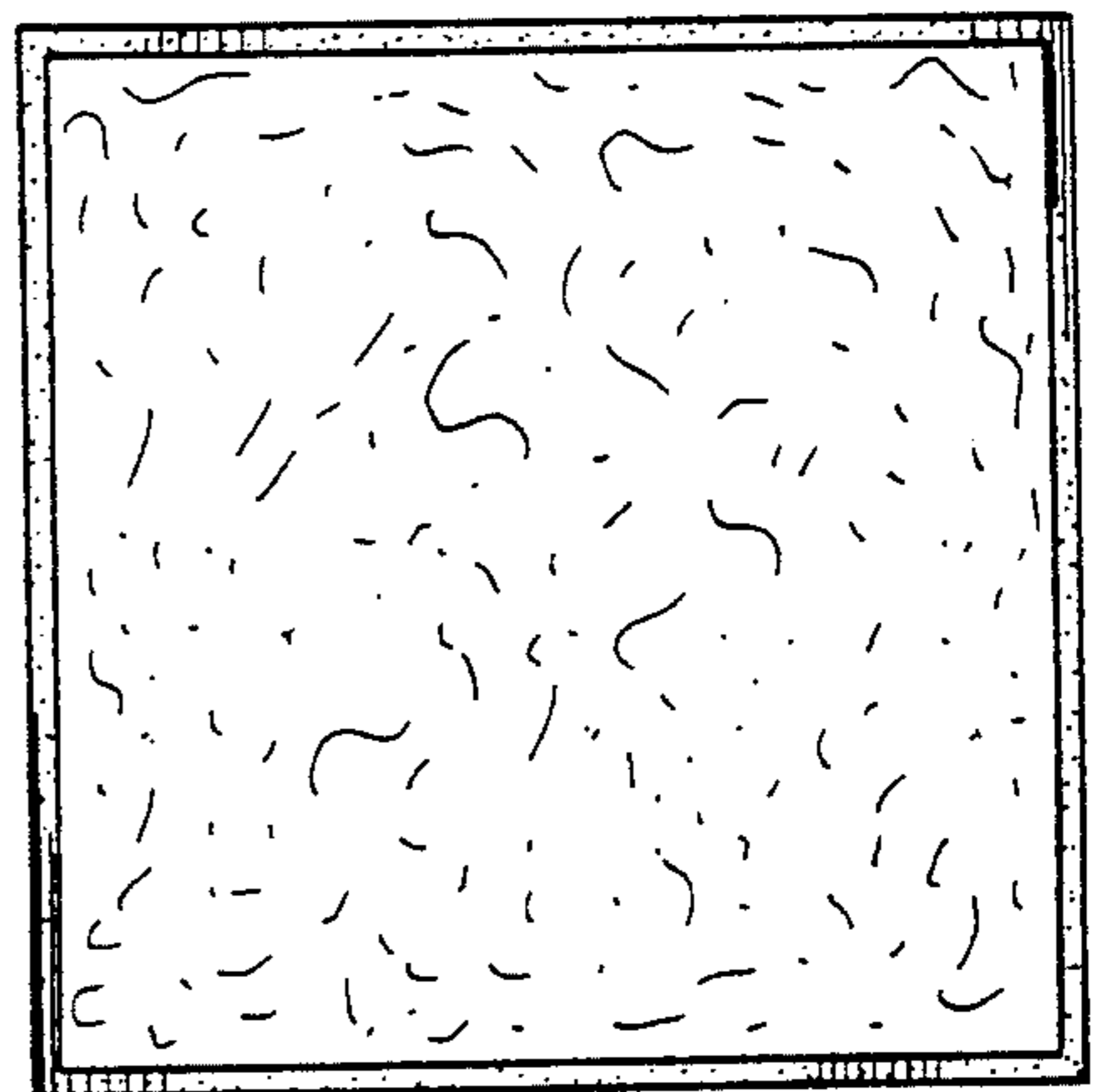


FIG. 5

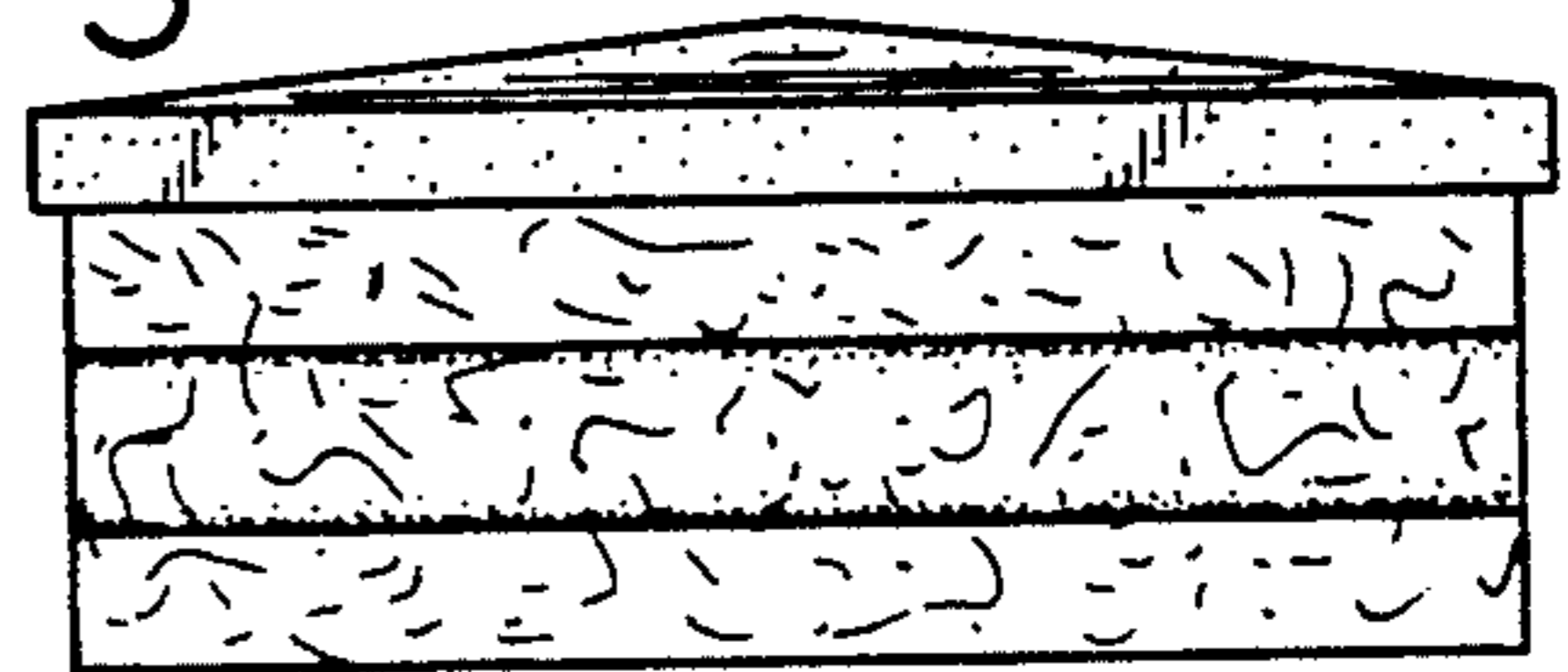


FIG. 4

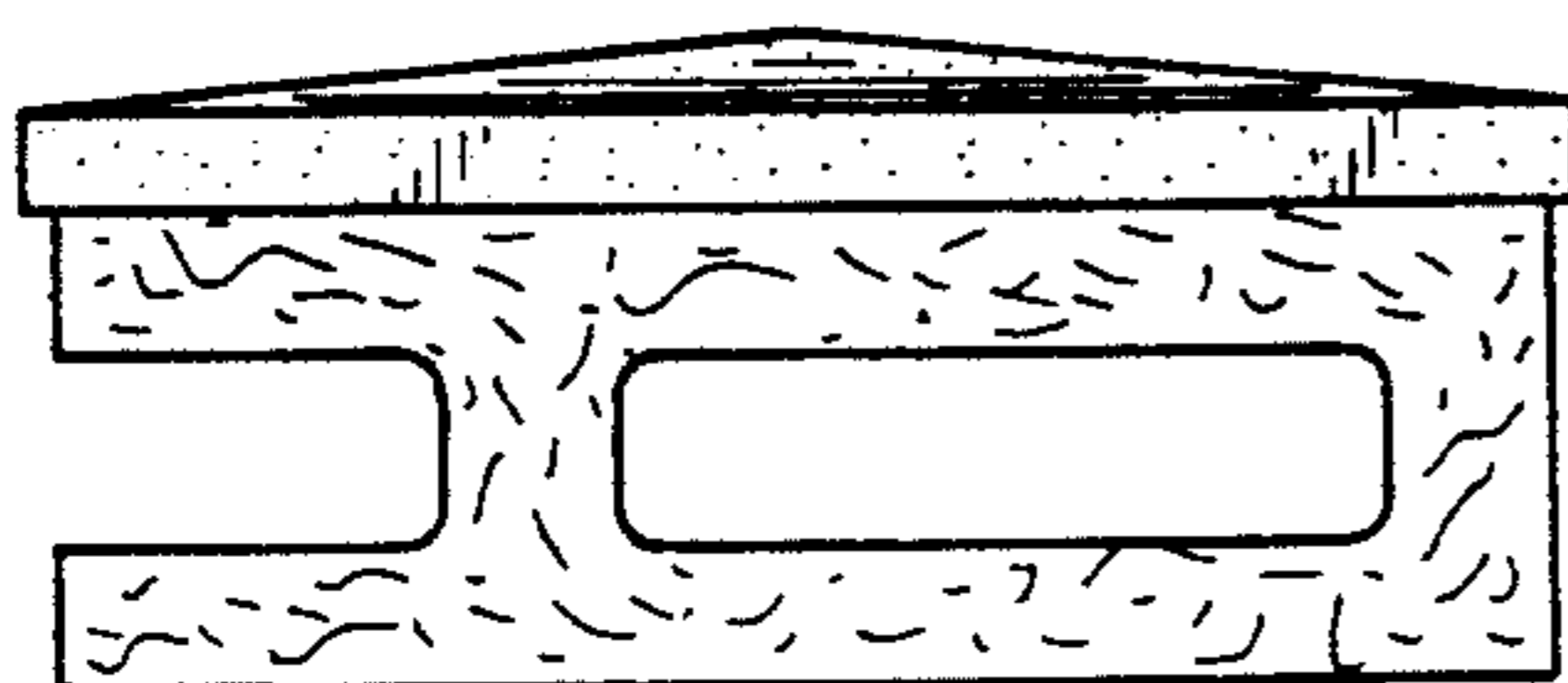
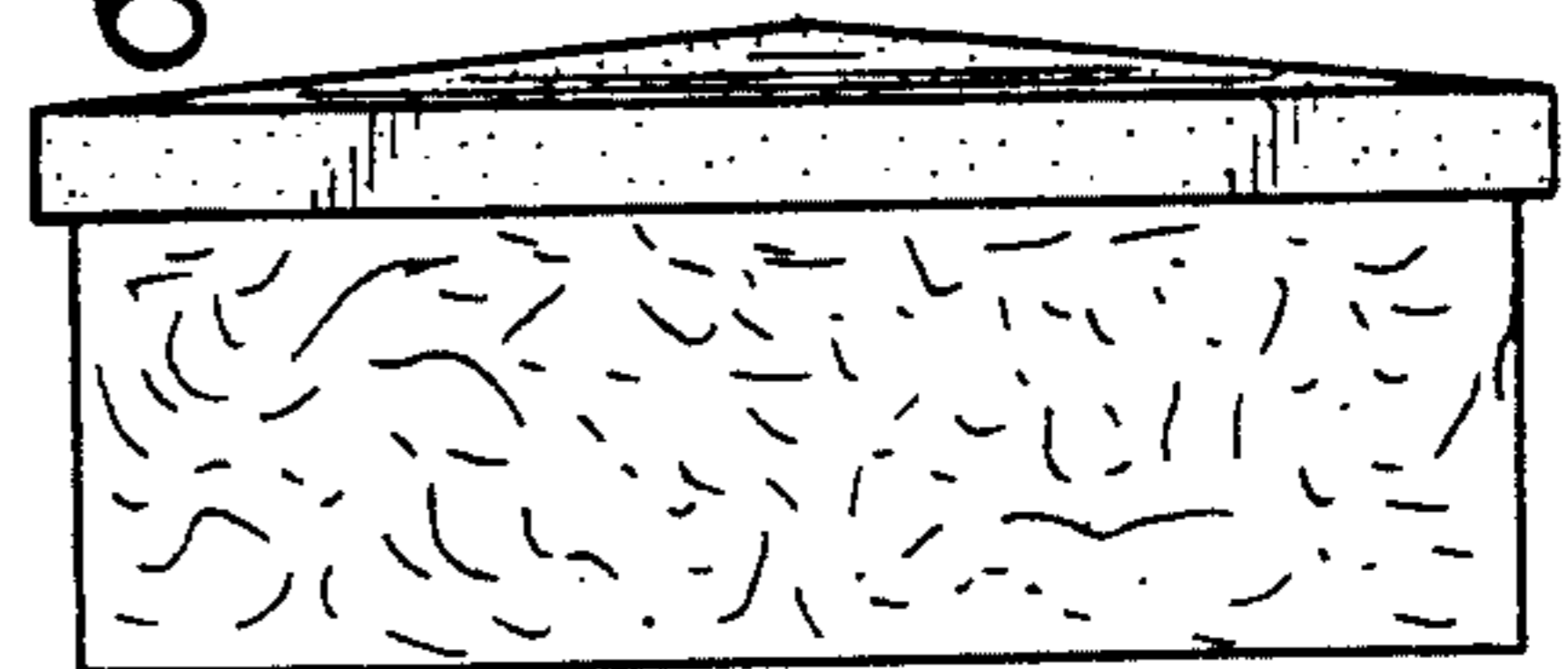


FIG. 6



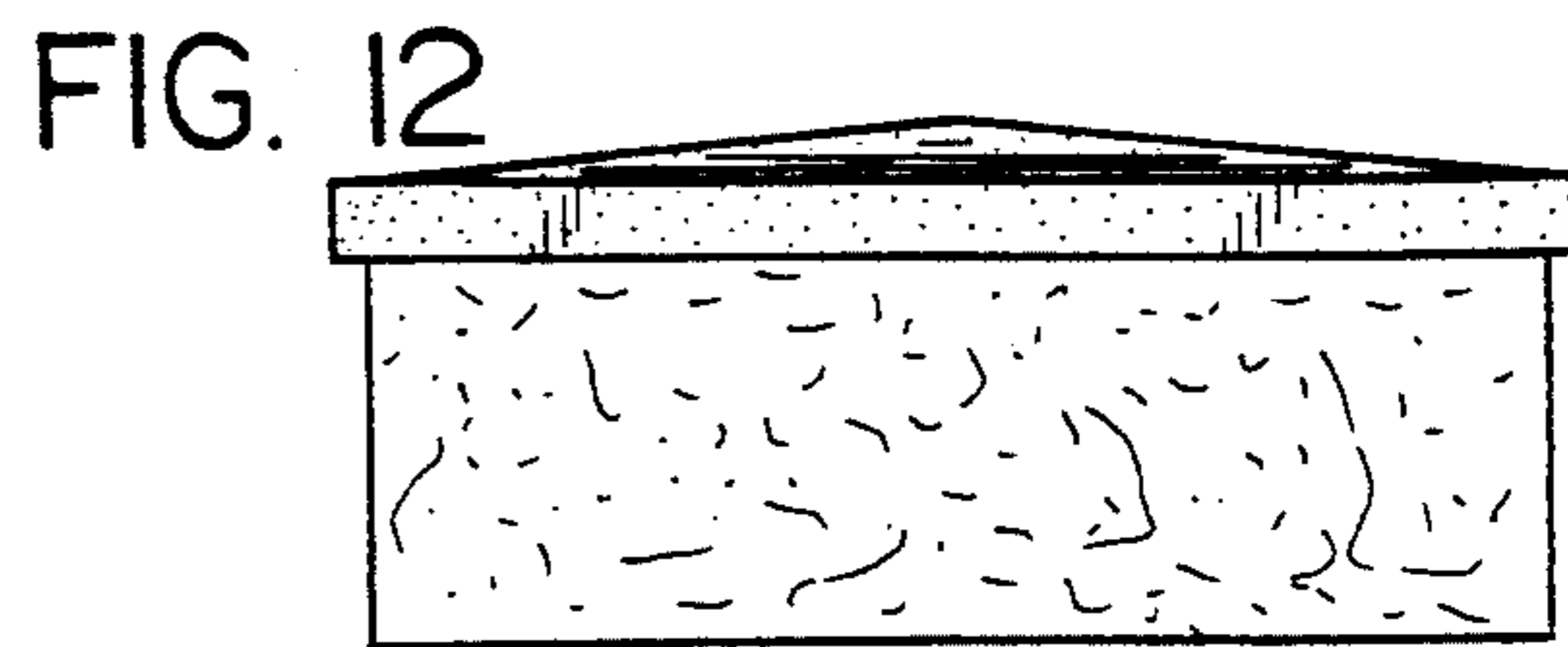
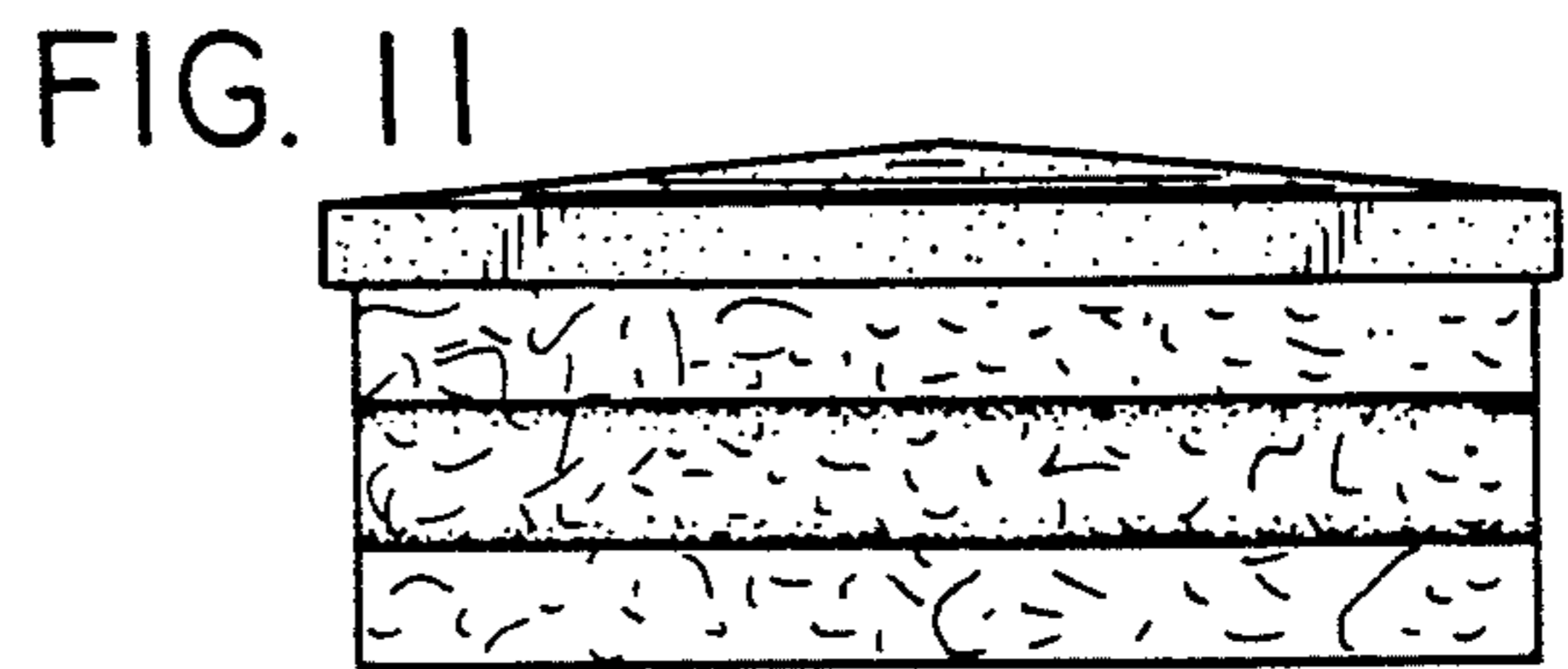
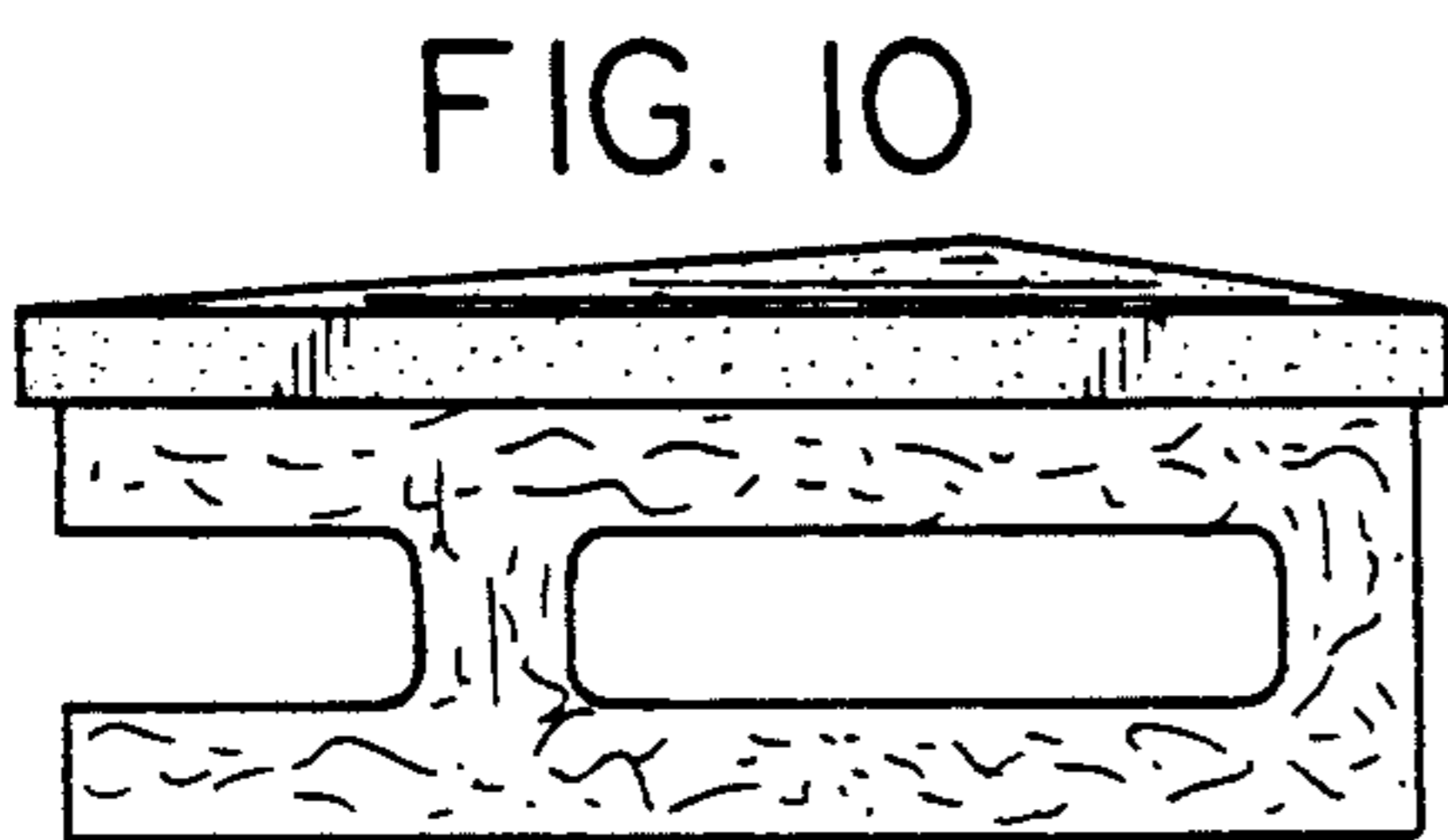
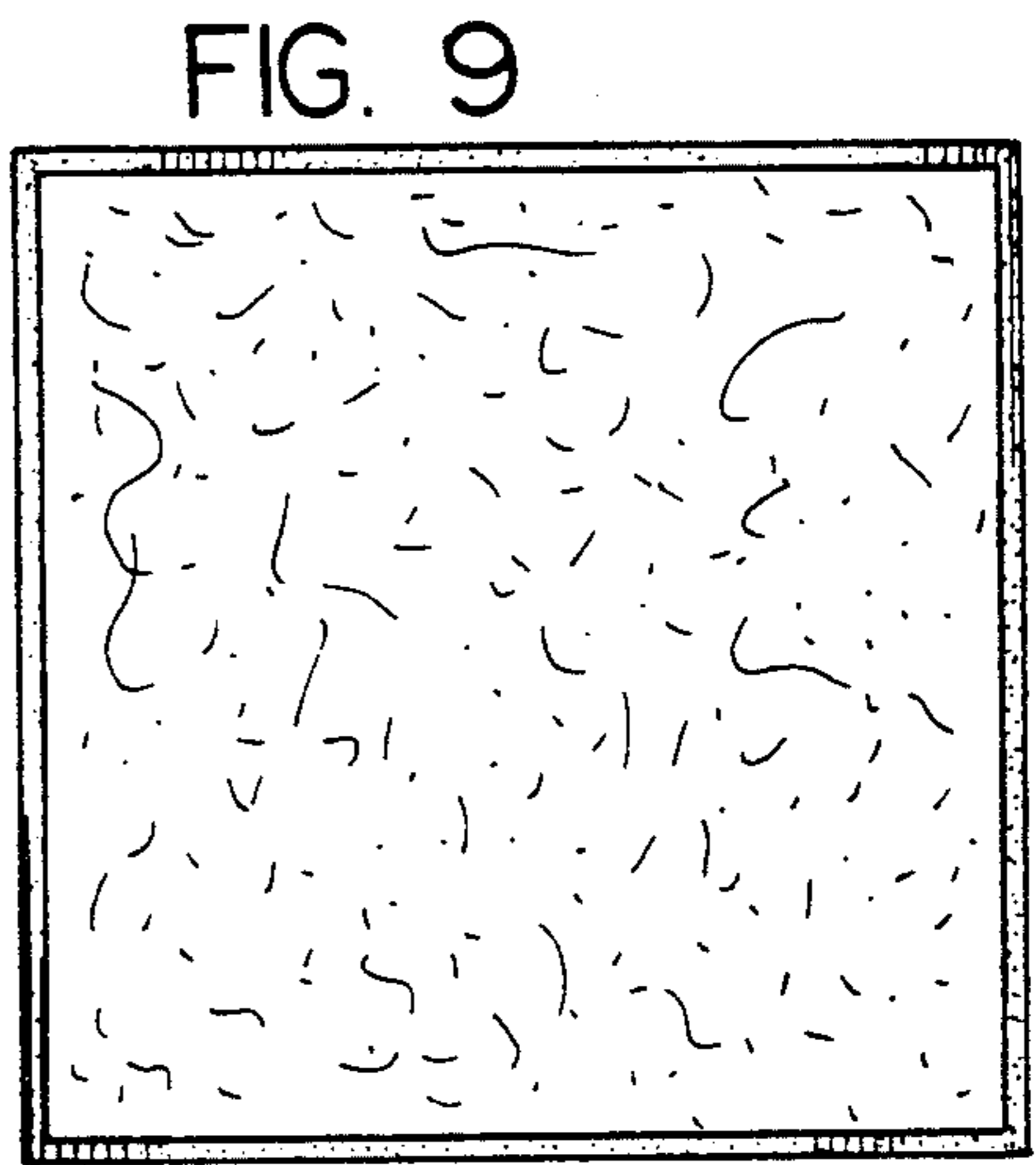
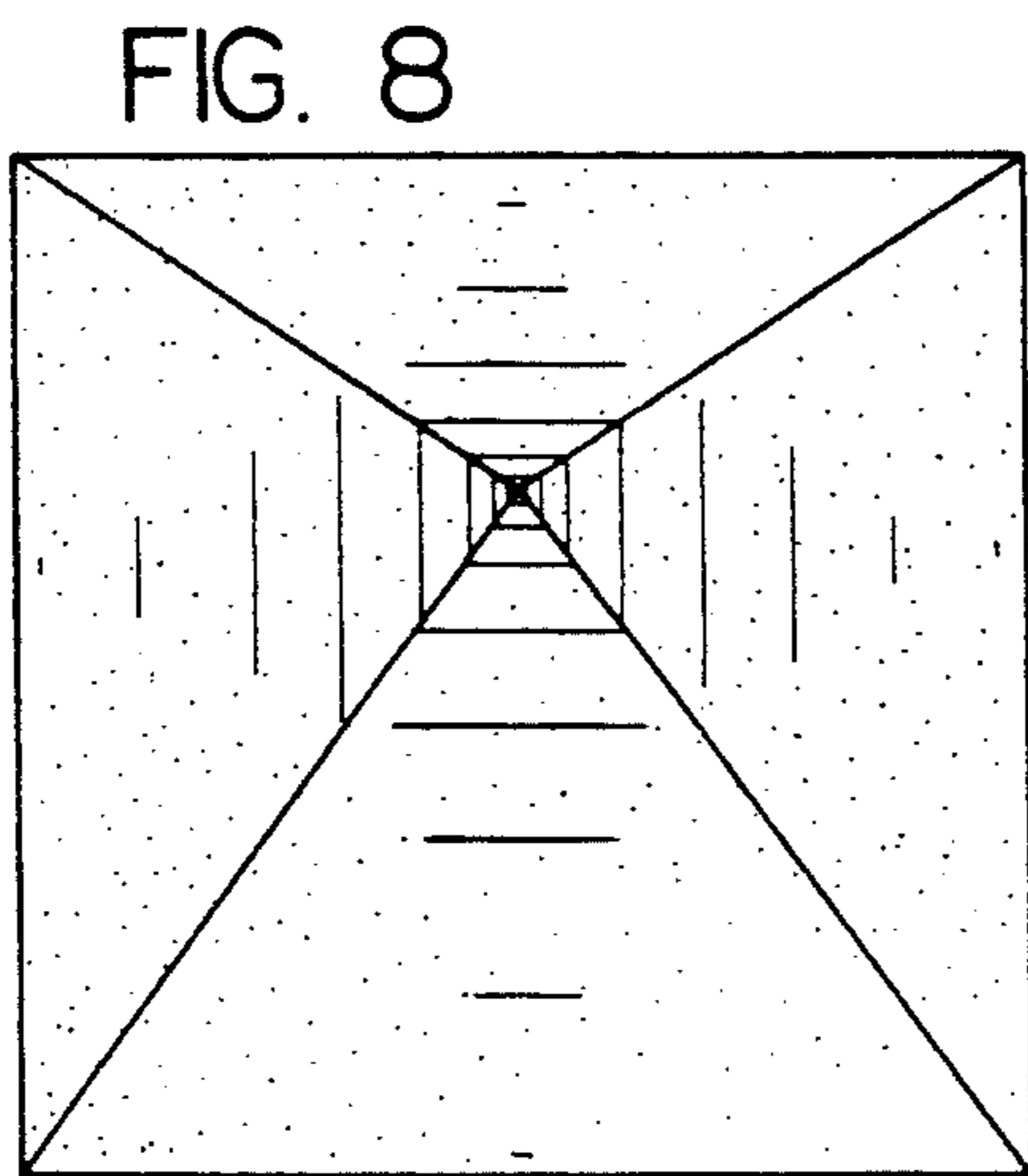
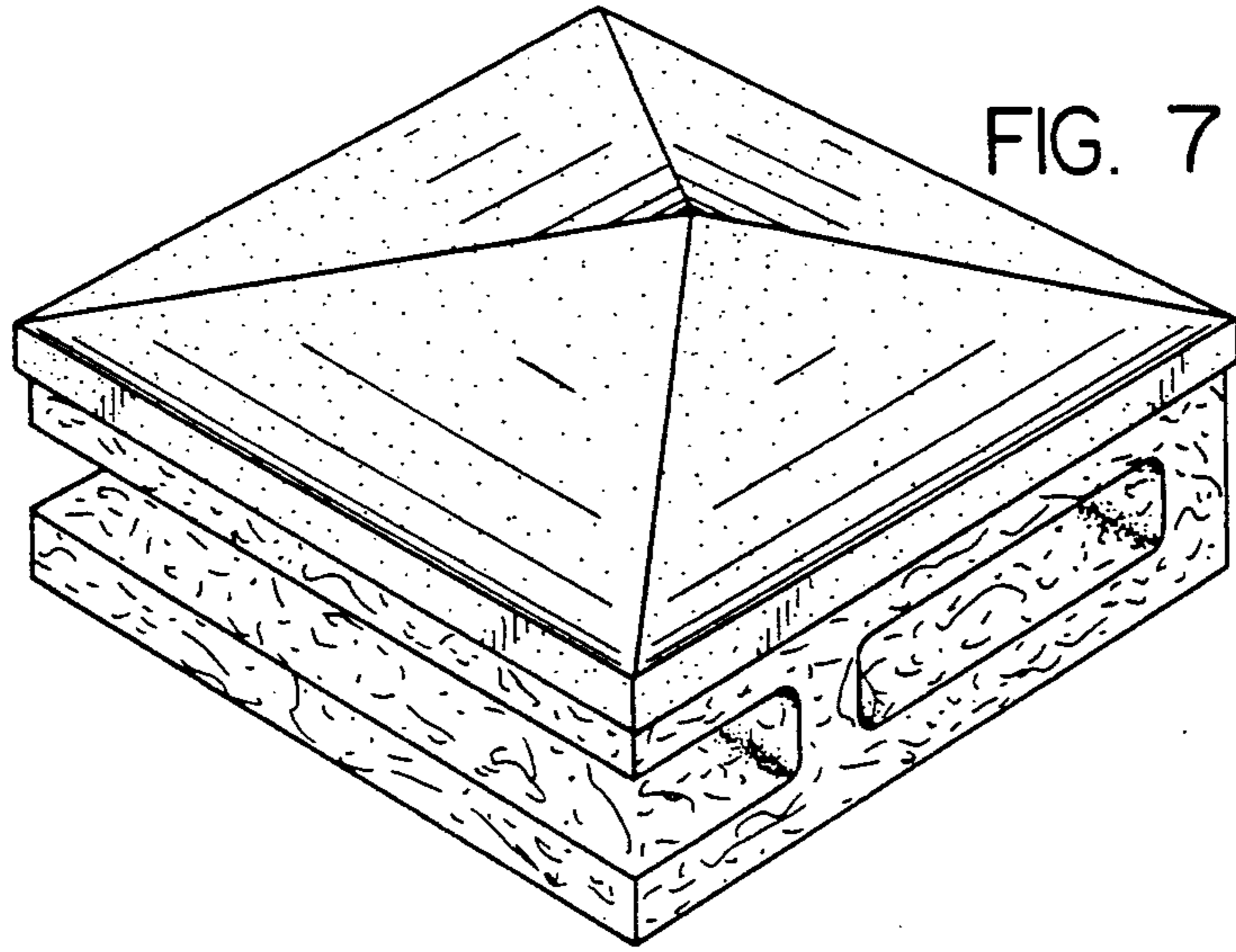


FIG. 13

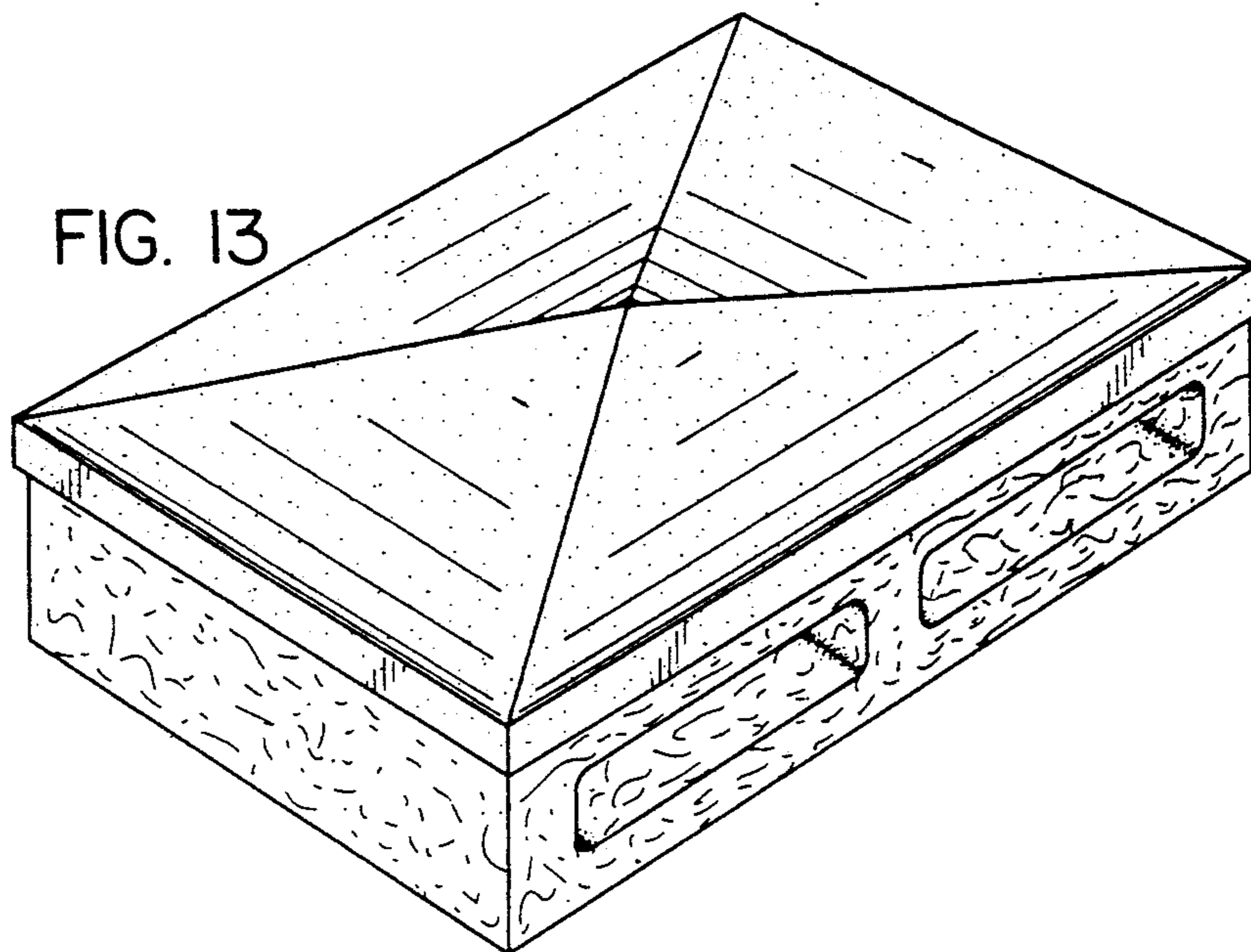


FIG. 14

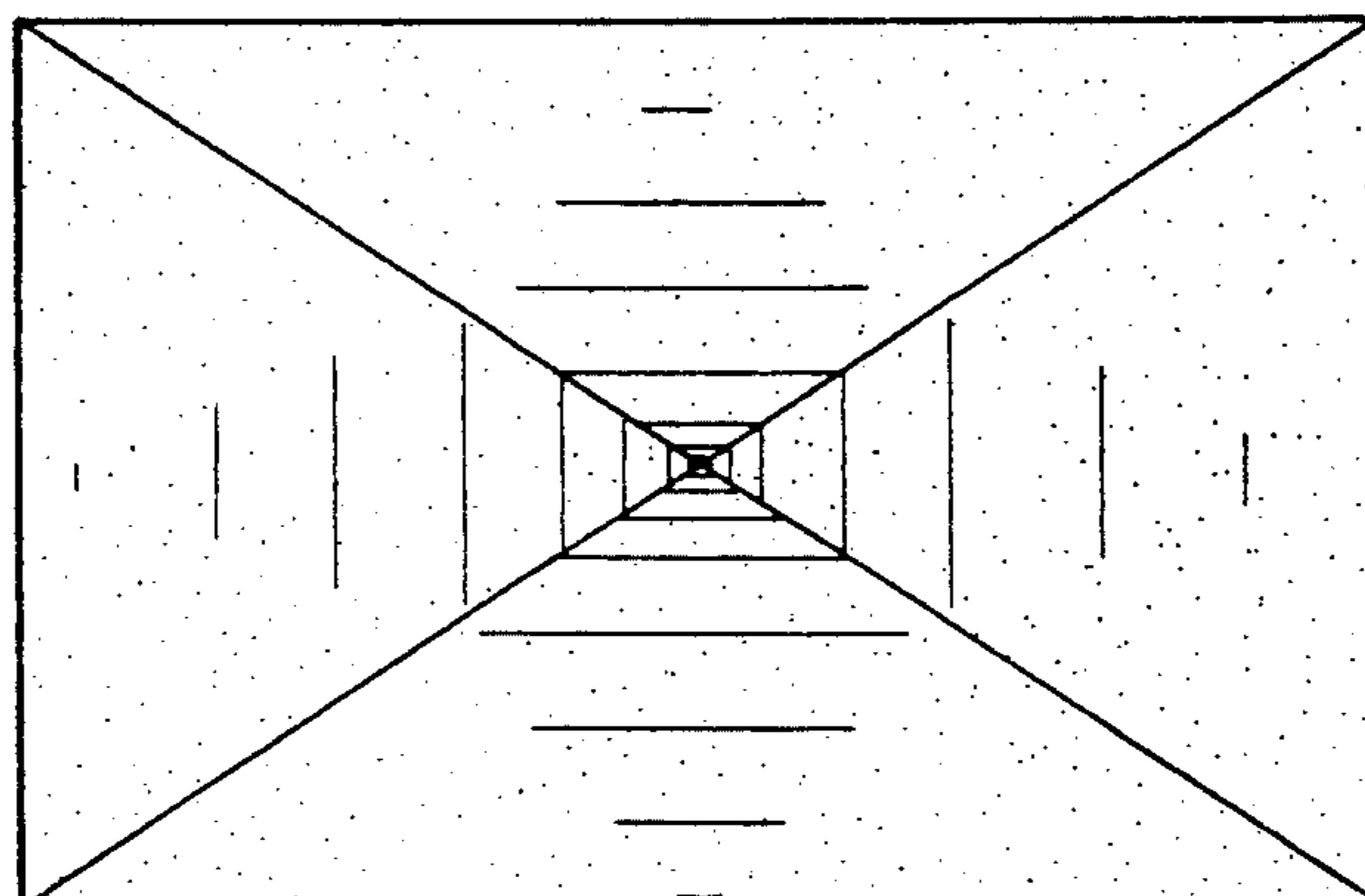


FIG. 15

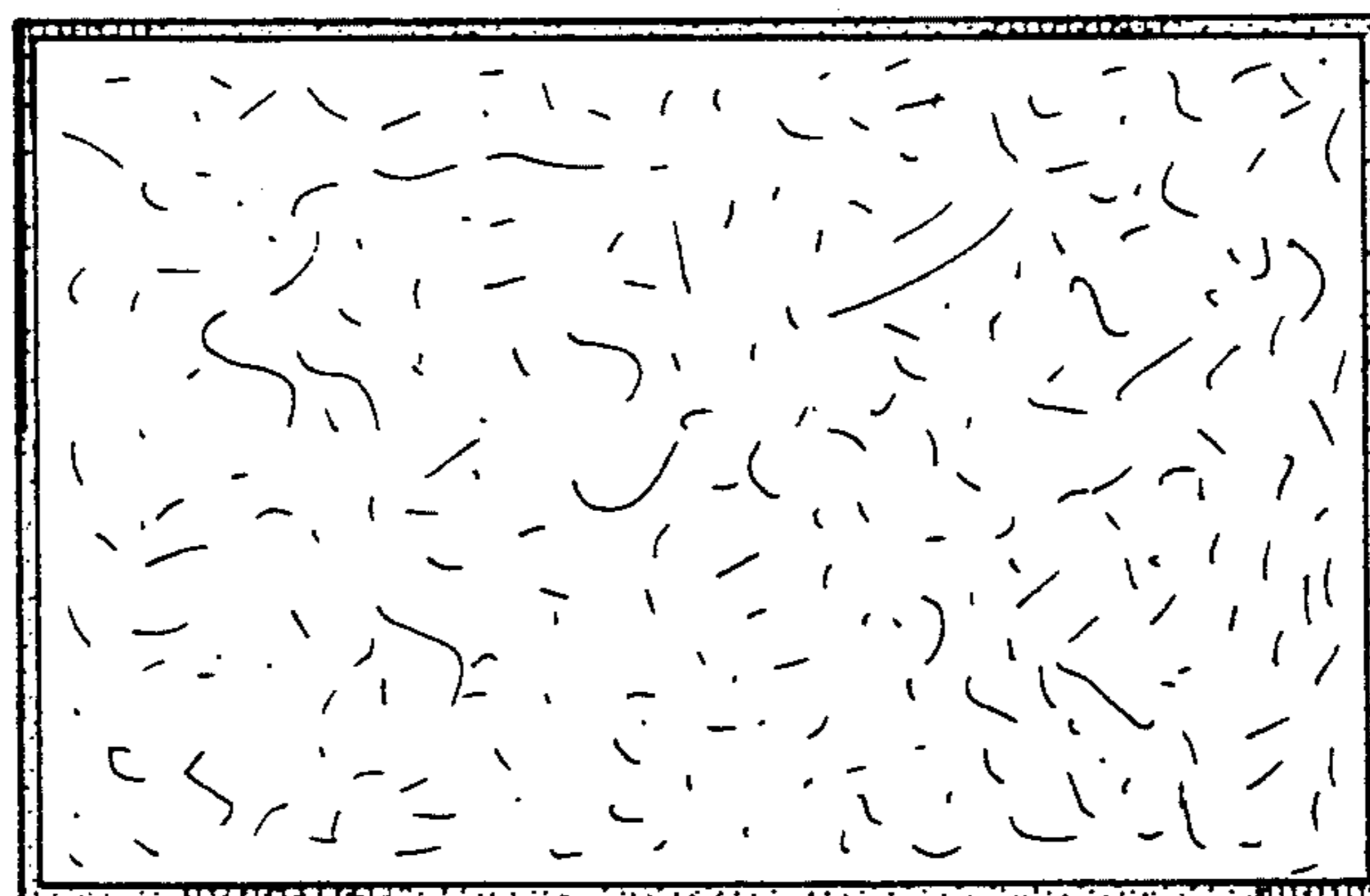


FIG. 16

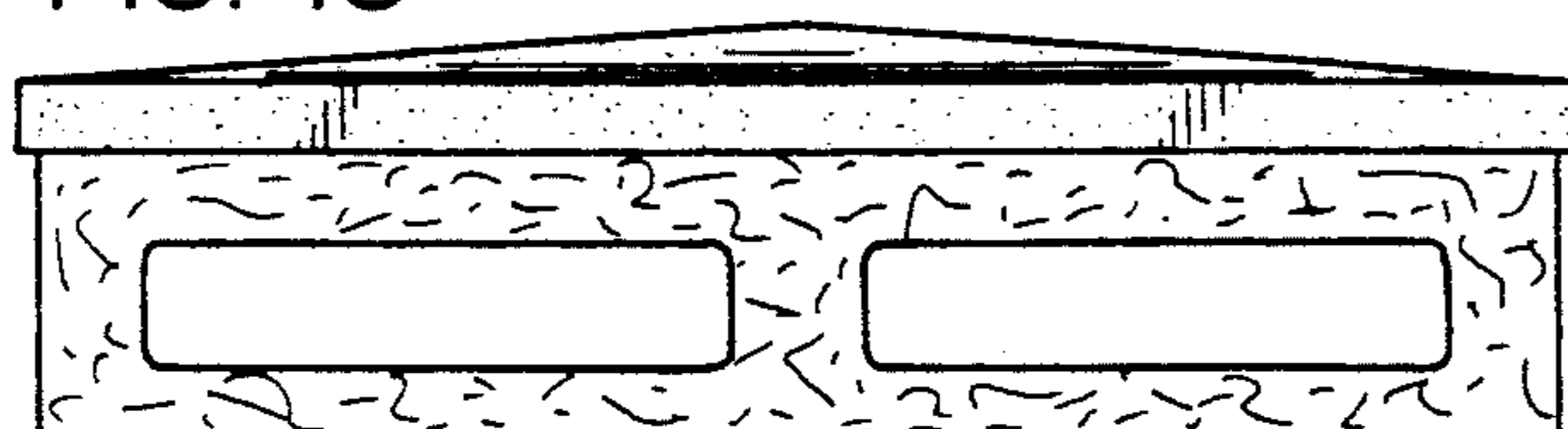


FIG. 17

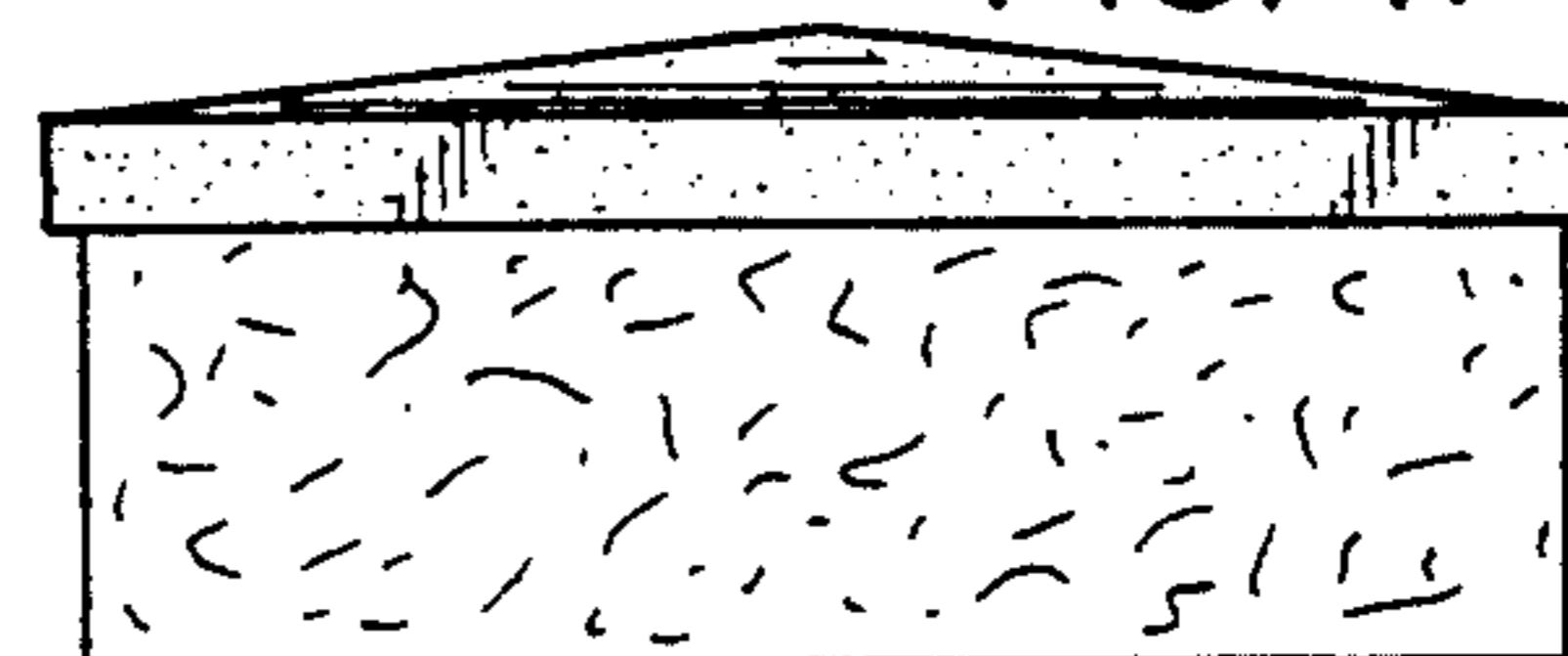


FIG. 18

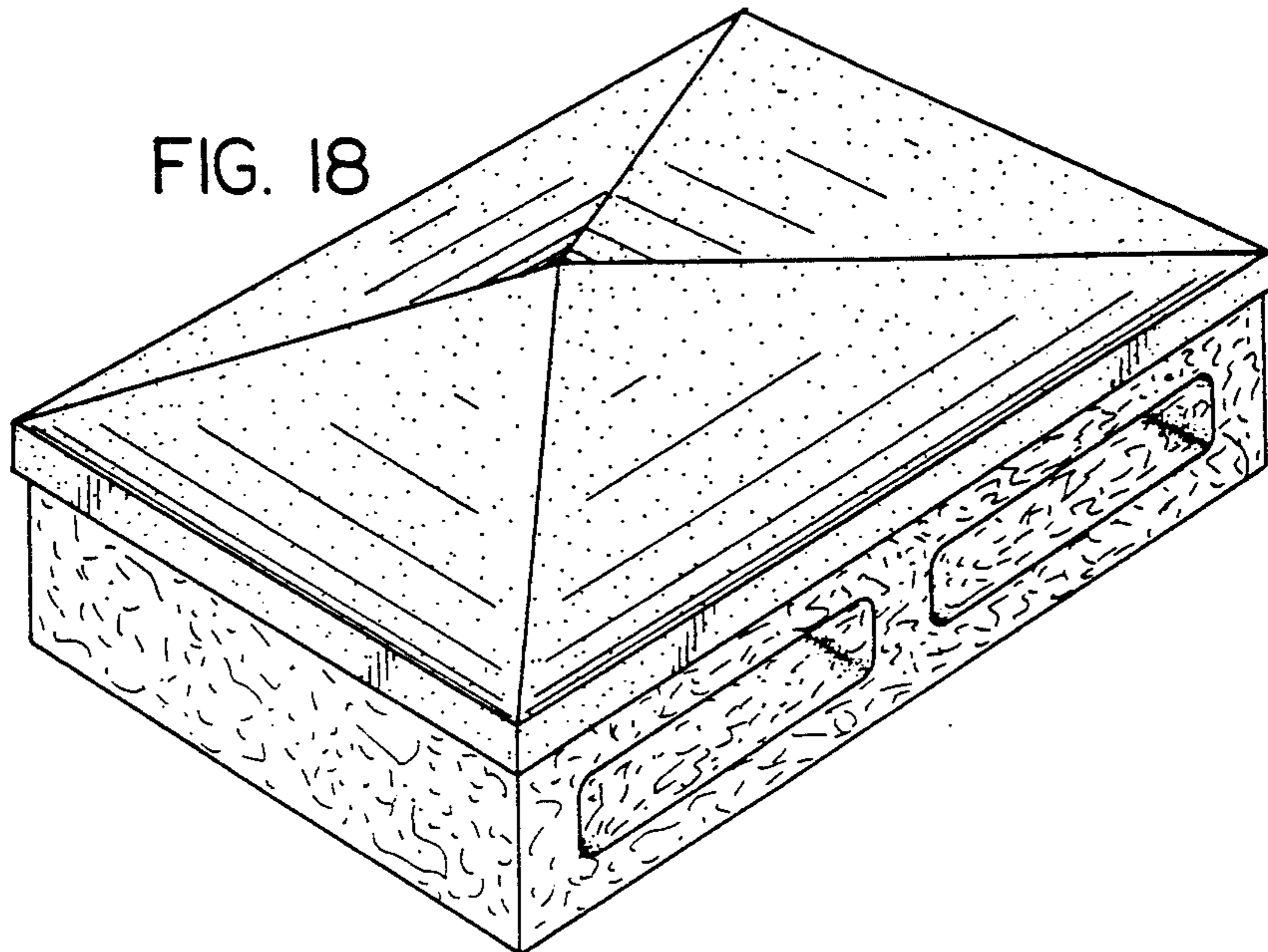


FIG. 19

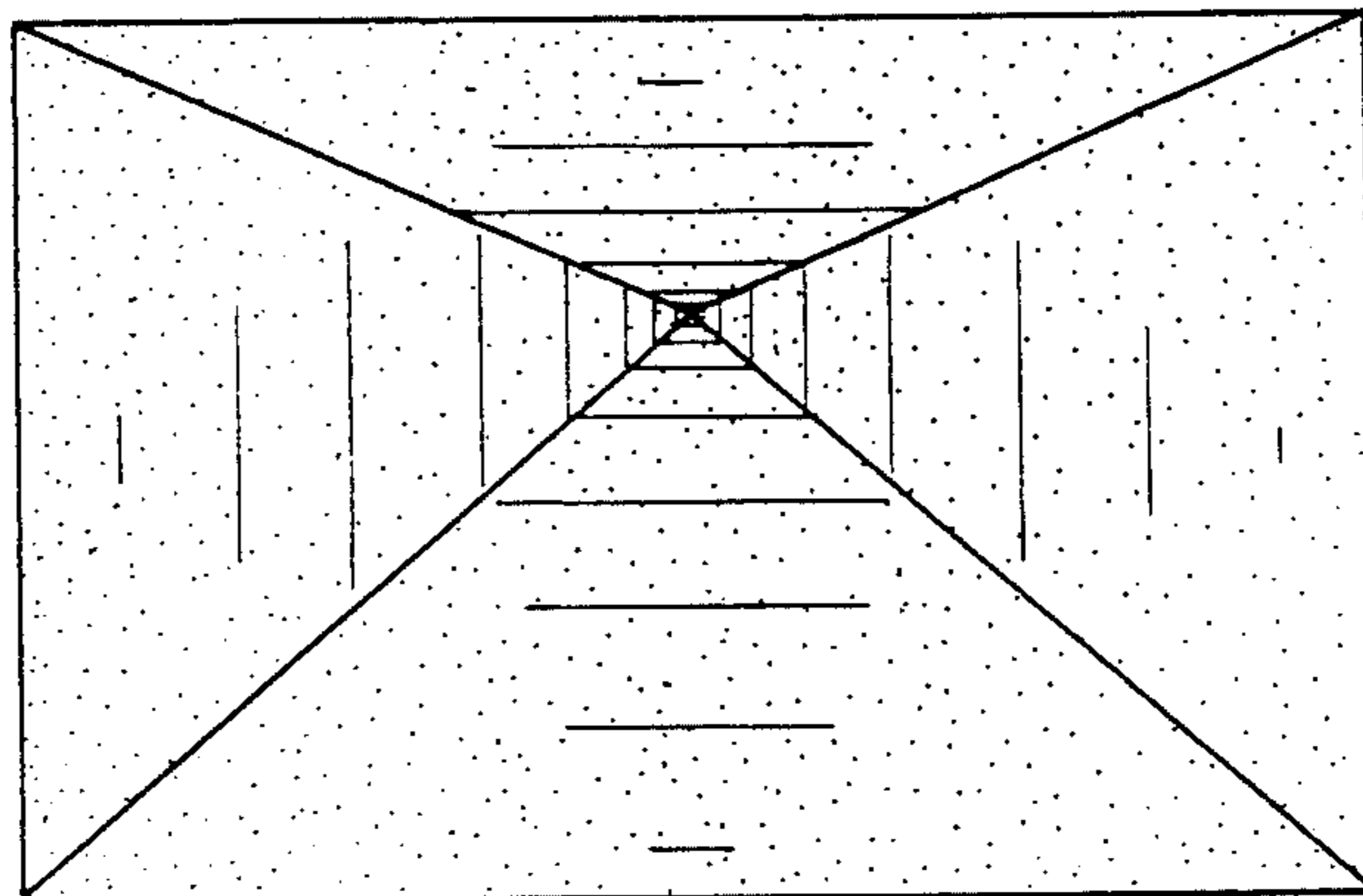


FIG. 20

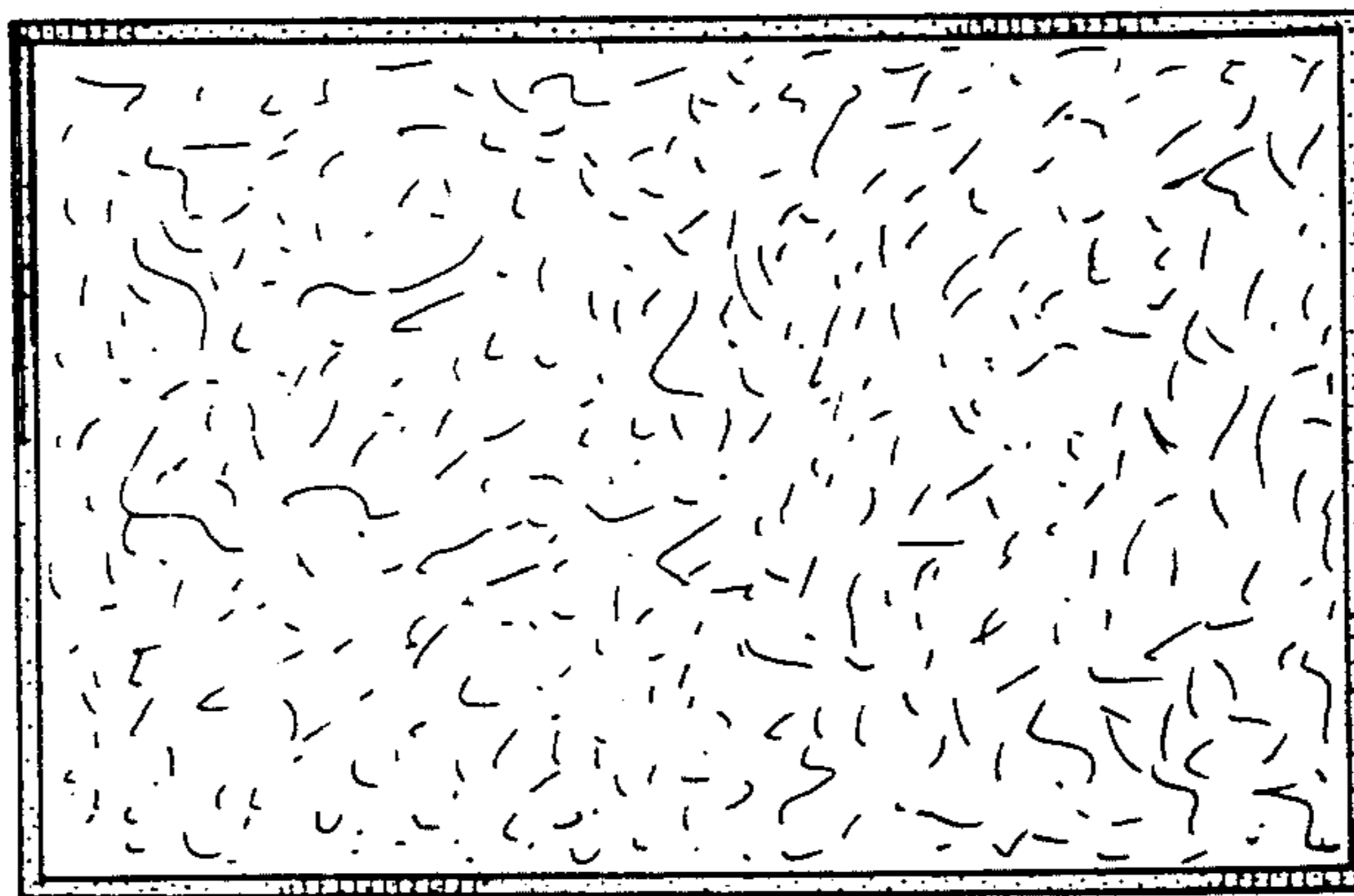


FIG. 21

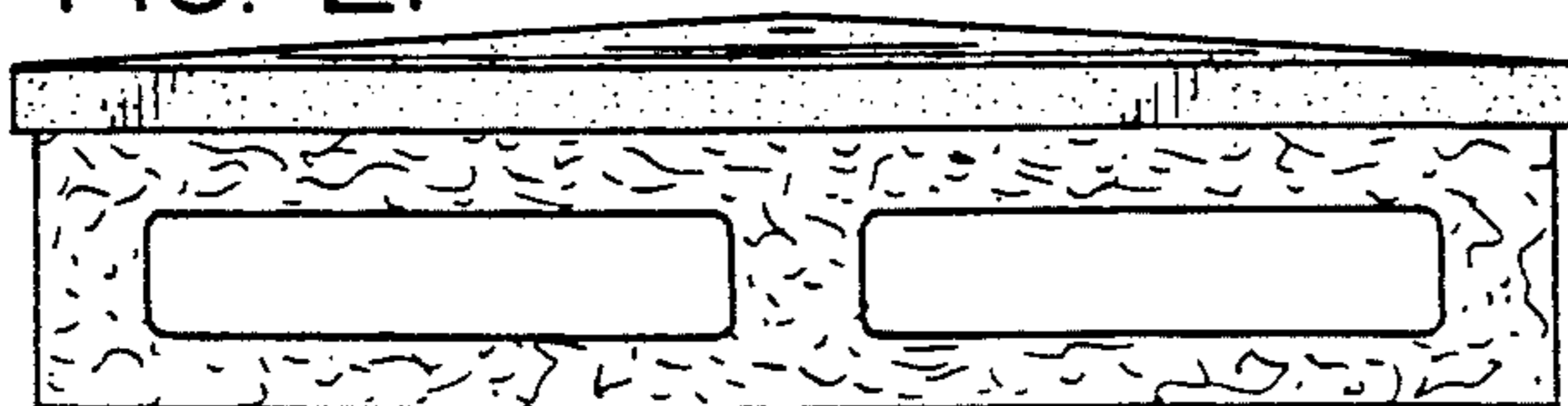


FIG. 22

