



US00D346223S

# United States Patent [19]

[11] Patent Number: **Des. 346,223**

Mechler et al.

[45] Date of Patent: **\*\* Apr. 19, 1994**

[54] **PLATE MOUNT INDUSTRIAL MIXERS**

4,198,373	4/1980	Kropp et al.	366/282 X
4,422,771	12/1983	Earhart et al.	366/251
4,738,542	4/1988	Hung	366/244
5,094,542	3/1992	Engels et al.	366/282

[75] Inventors: **David O. Mechler, Fairport; Daniel J. Bentley, Rochester; James H. Karlin, Fairport, all of N.Y.**

*Primary Examiner*—Stella Reid  
*Assistant Examiner*—I. Simmons  
*Attorney, Agent, or Firm*—M. Lukacher

[73] Assignee: **General Signal Corporation, Rochester, N.Y.**

[\*\*] Term: **14 Years**

[57] **CLAIM**

[21] Appl. No.: **736,895**

The ornamental design for plate mount industrial mixers, as shown and described.

[22] Filed: **Jul. 26, 1991**

**DESCRIPTION**

[52] U.S. Cl. .... **D24/220**

[58] Field of Search ..... **D7/376, 378, 386, 383; 366/127, 241, 242, 244, 247, 248, 249, 250, 251, 261, 263, 282; 416/231 A; D24/220, 231, 232**

FIG. 1 and a rear and left side perspective view of a plate mount industrial mixer showing our new design; FIGS. 2, 3, 4 and 5 are respectively front, rear, right side and left side elevational views thereof;

[56] **References Cited**

**U.S. PATENT DOCUMENTS**

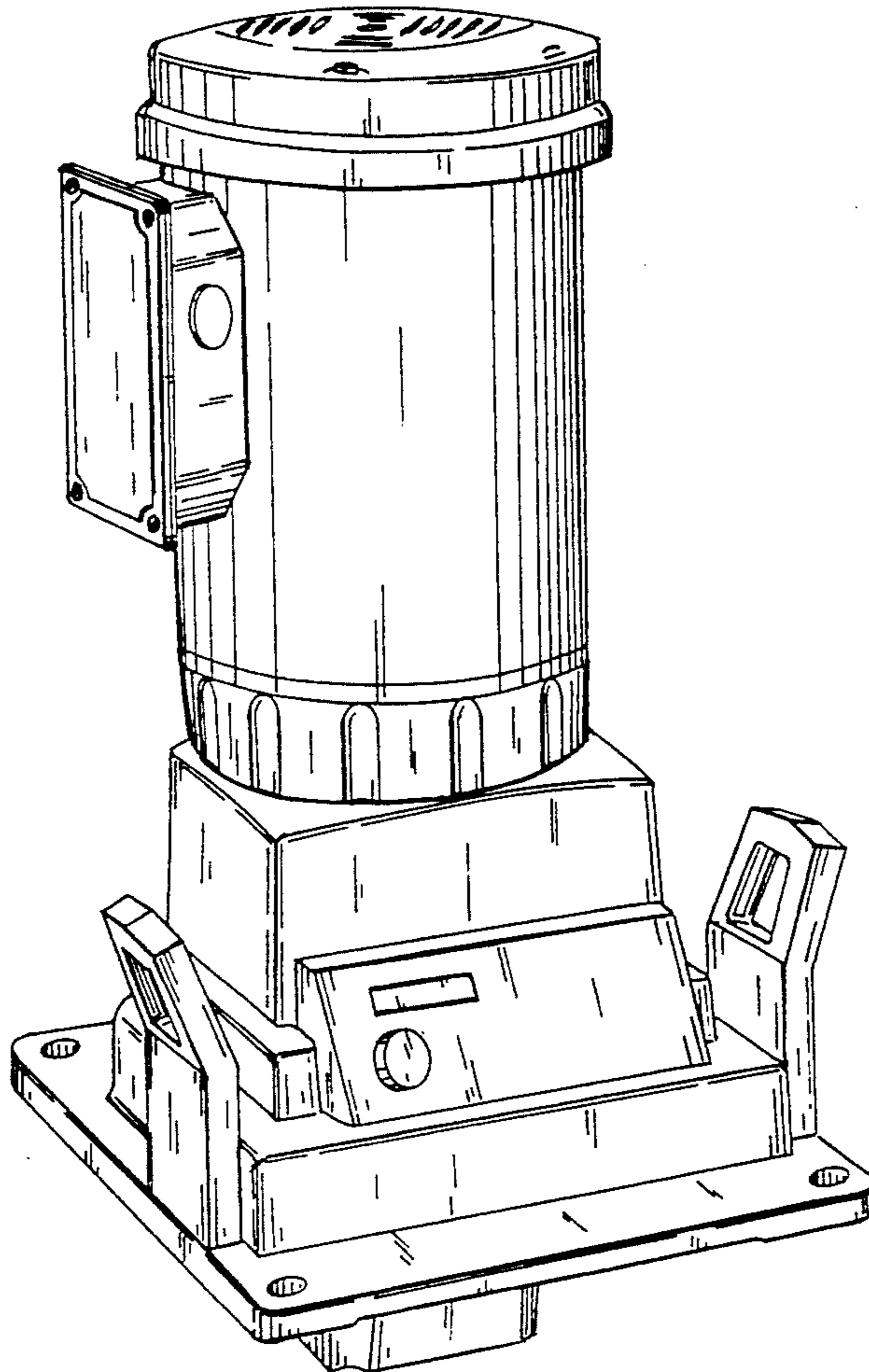
D. 290,393	6/1987	Stevens et al.	D24/220
D. 290,394	6/1987	Stevens et al.	D24/220
D. 290,395	6/1987	Stevens et al.	D24/220
D. 322,322	12/1991	Markle et al.	D24/220
3,223,389	12/1965	Simmonds	366/282
3,297,309	1/1967	Adams	366/282 X

FIG. 6 and 7 are respectively top and bottom plan views thereof;

FIG. 8 is front and right side perspective view of a second embodiment thereof;

FIG. 9 is a front and right side perspective view of a third embodiment thereof; and,

FIG. 10 is a front and right side perspective view of a fourth embodiment thereof.



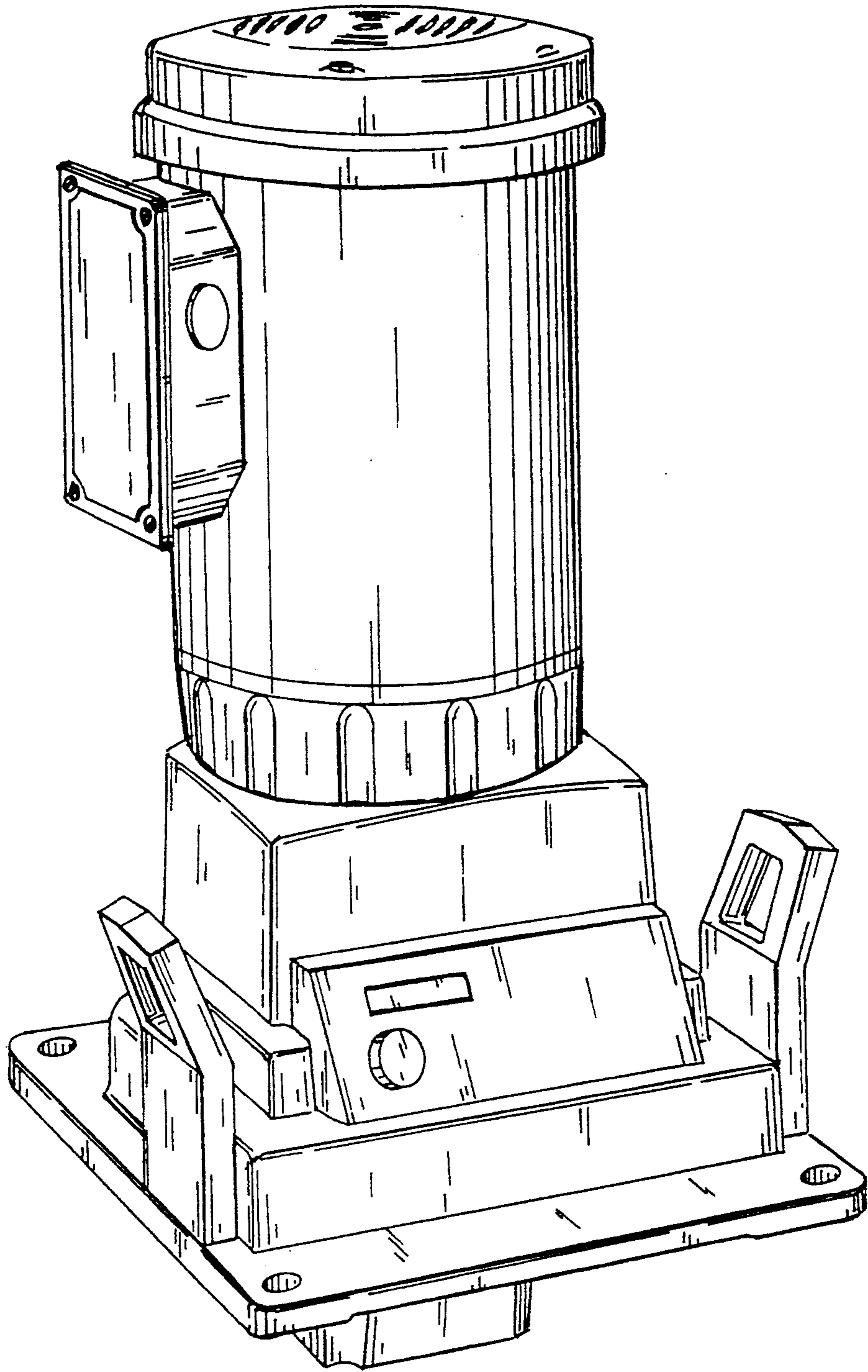


FIG. 1

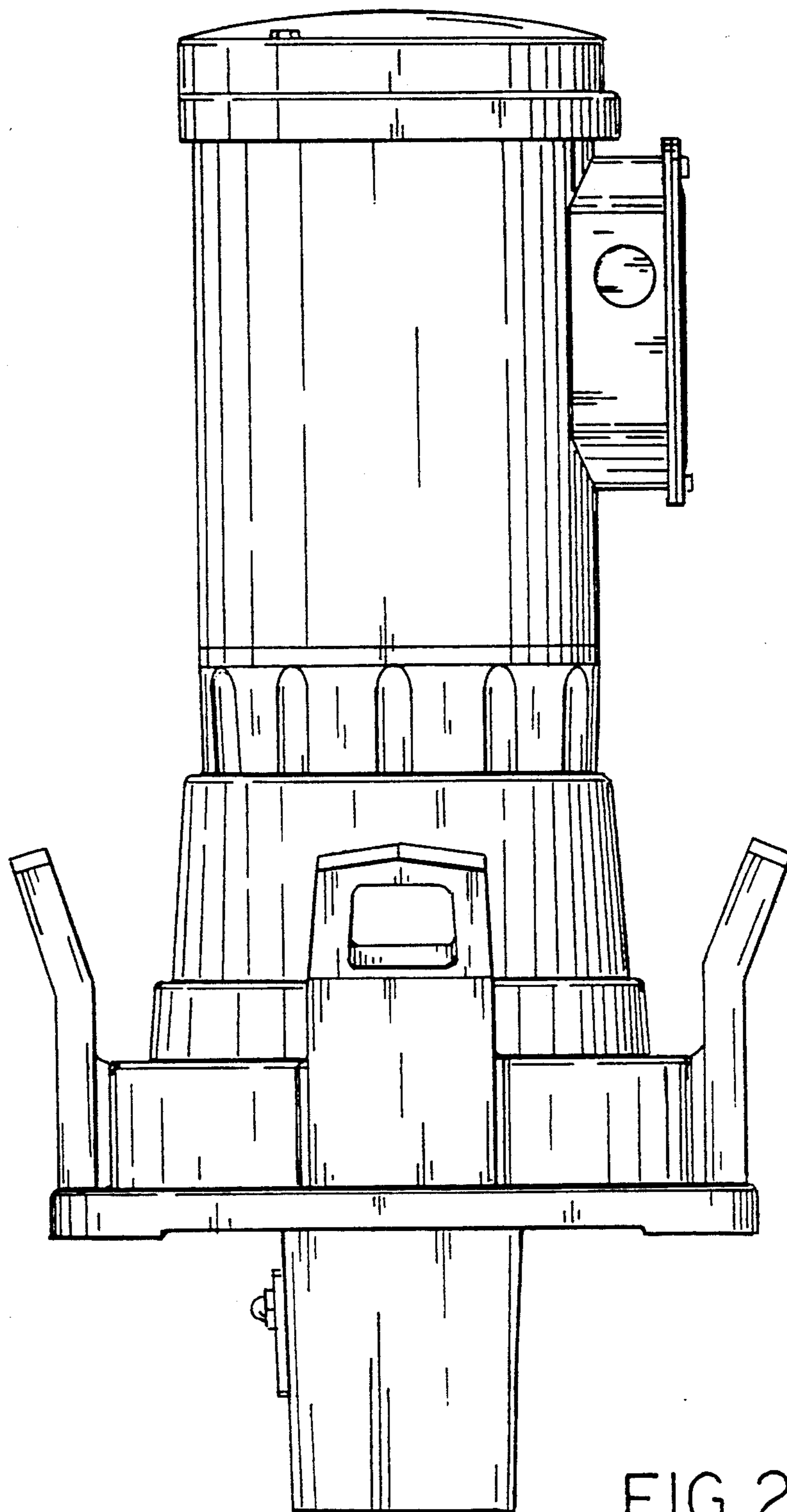


FIG. 2

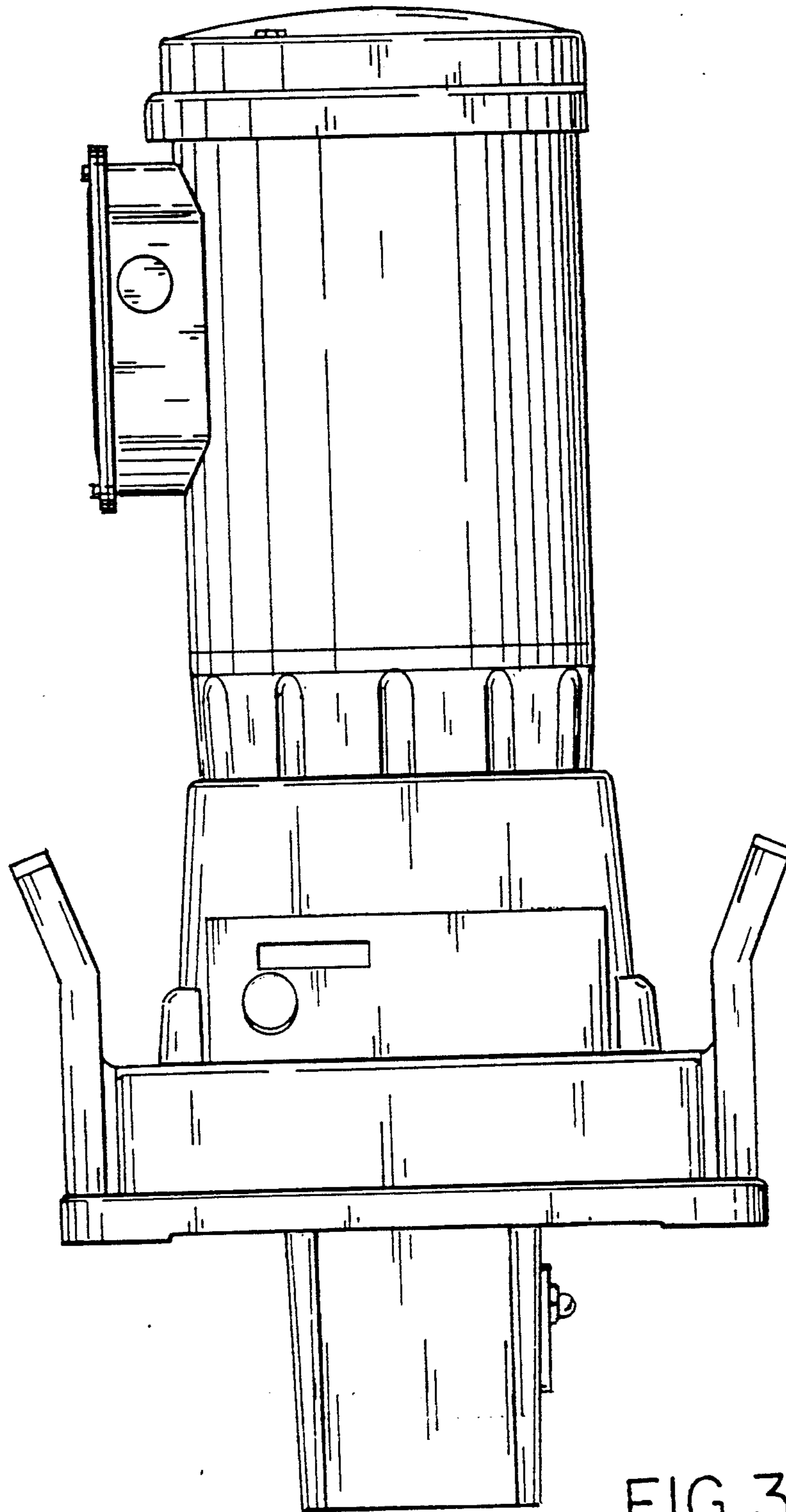


FIG. 3



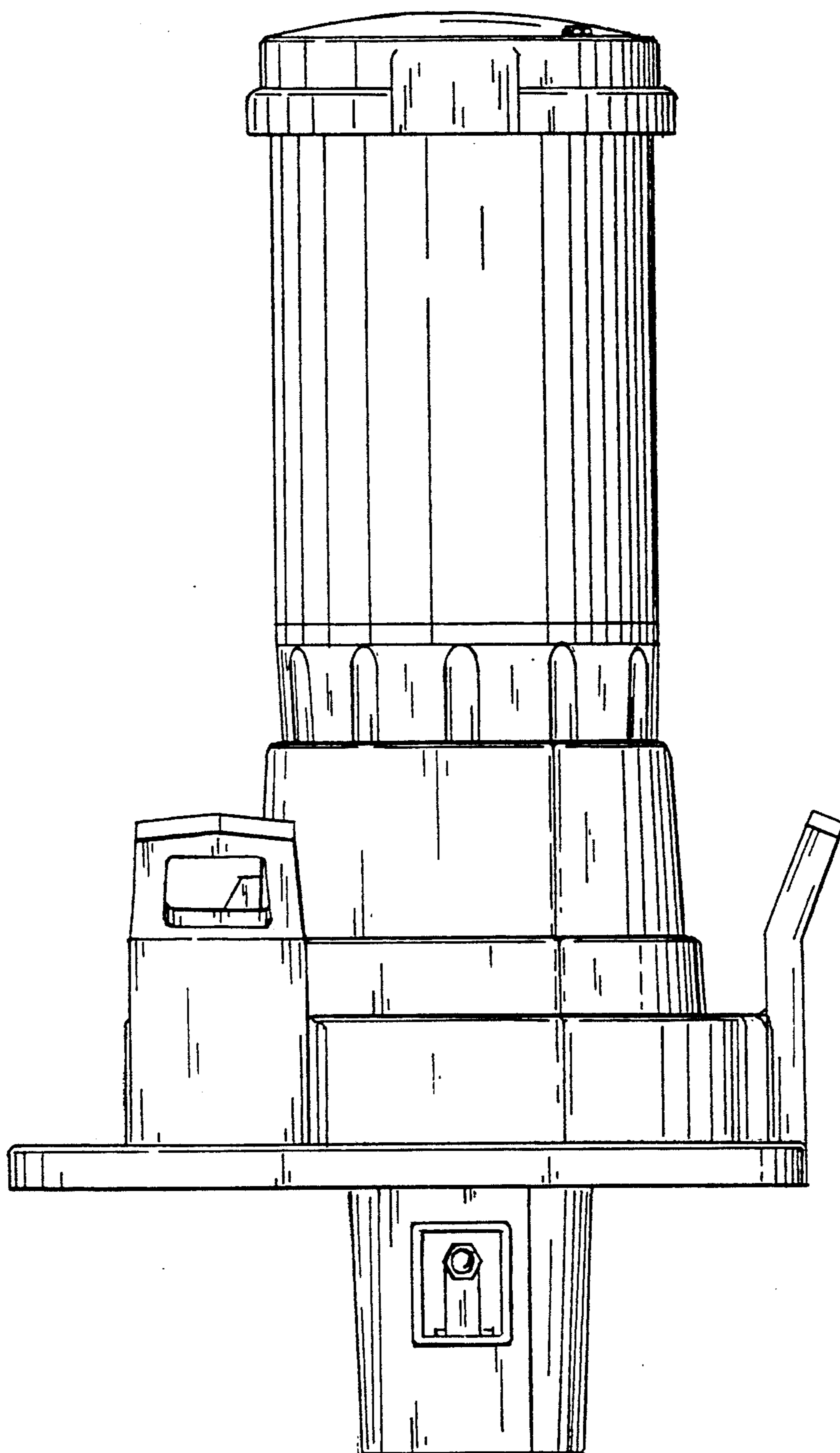


FIG. 4

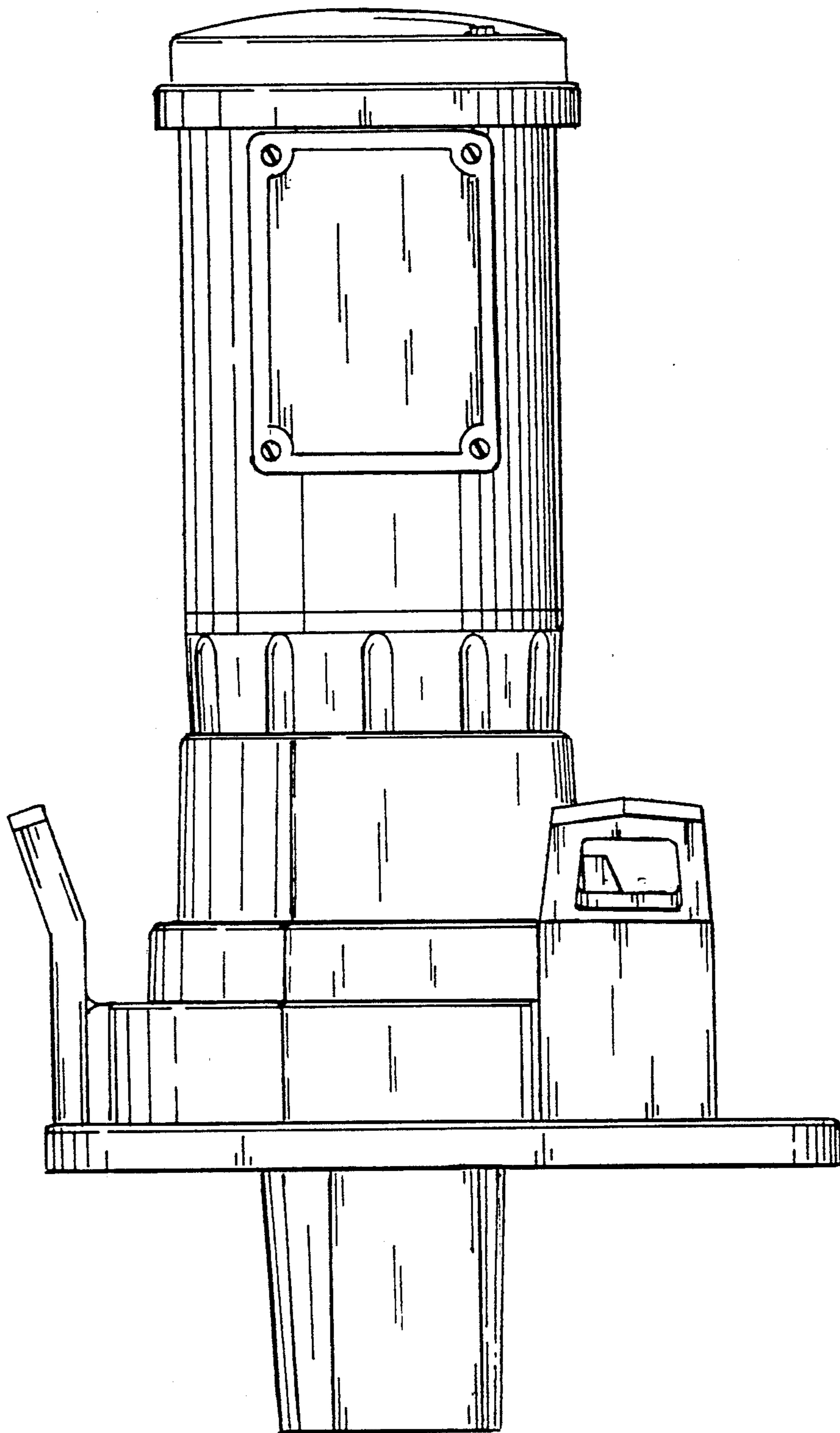


FIG. 5

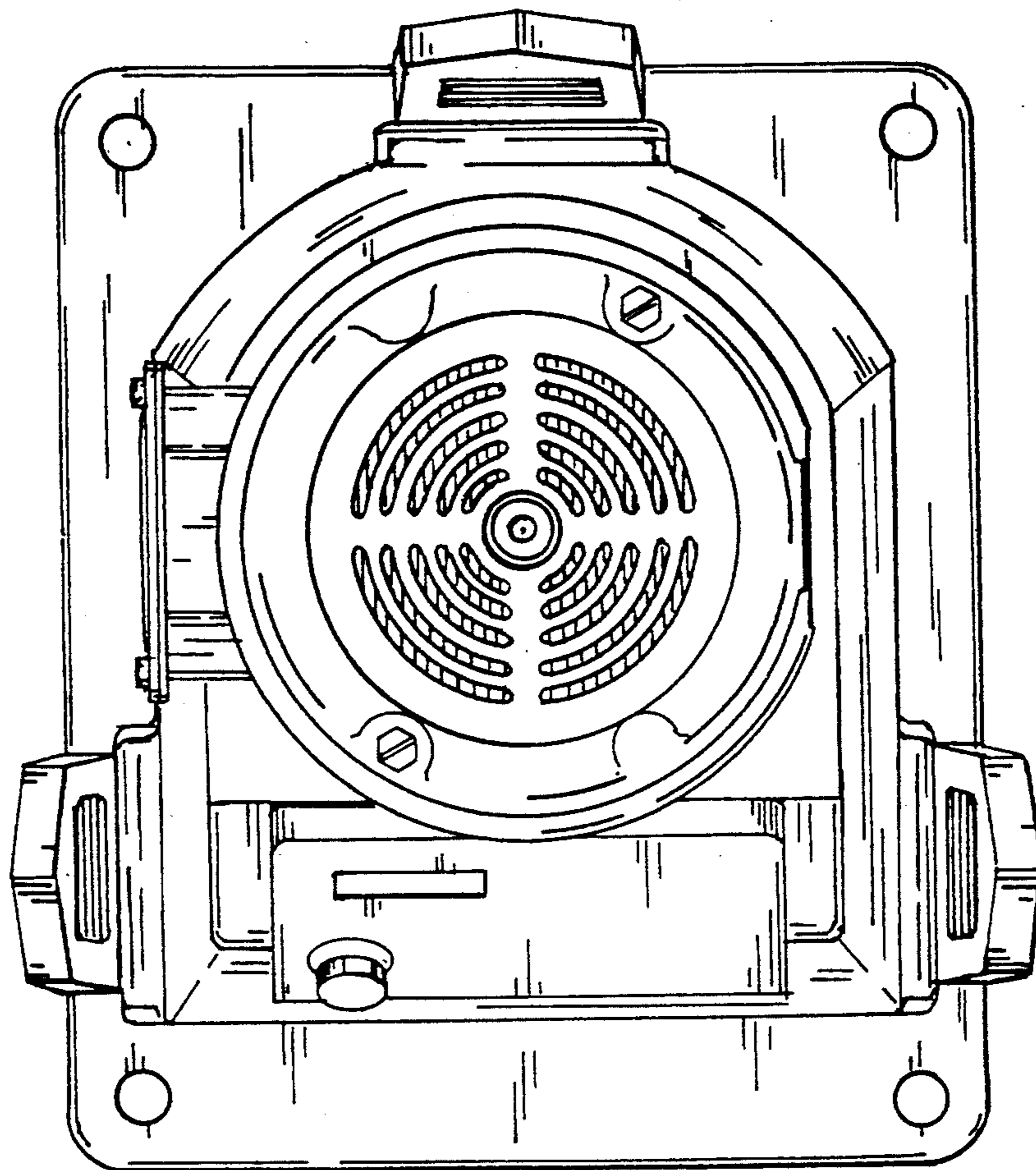


FIG. 6

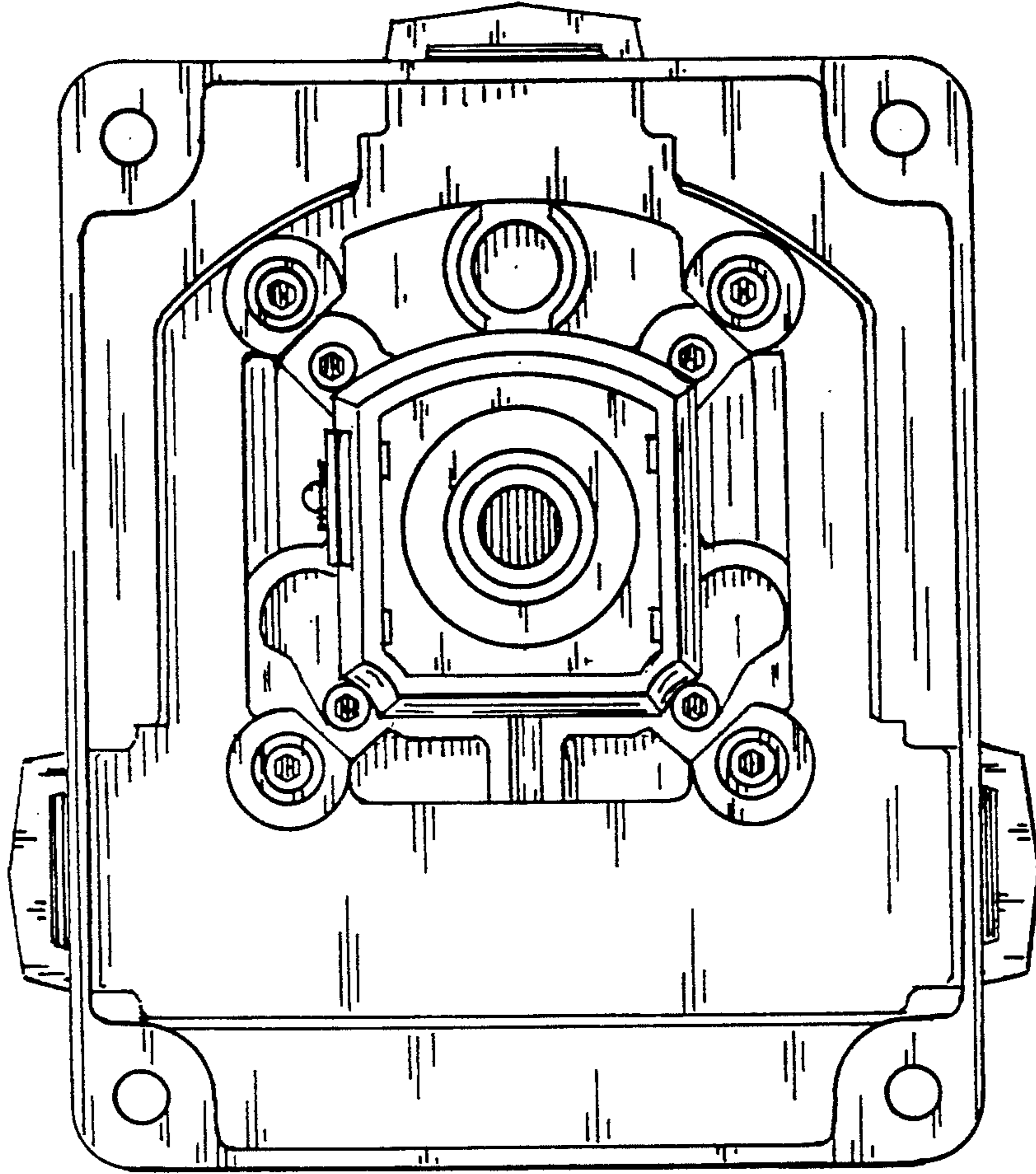


FIG. 7



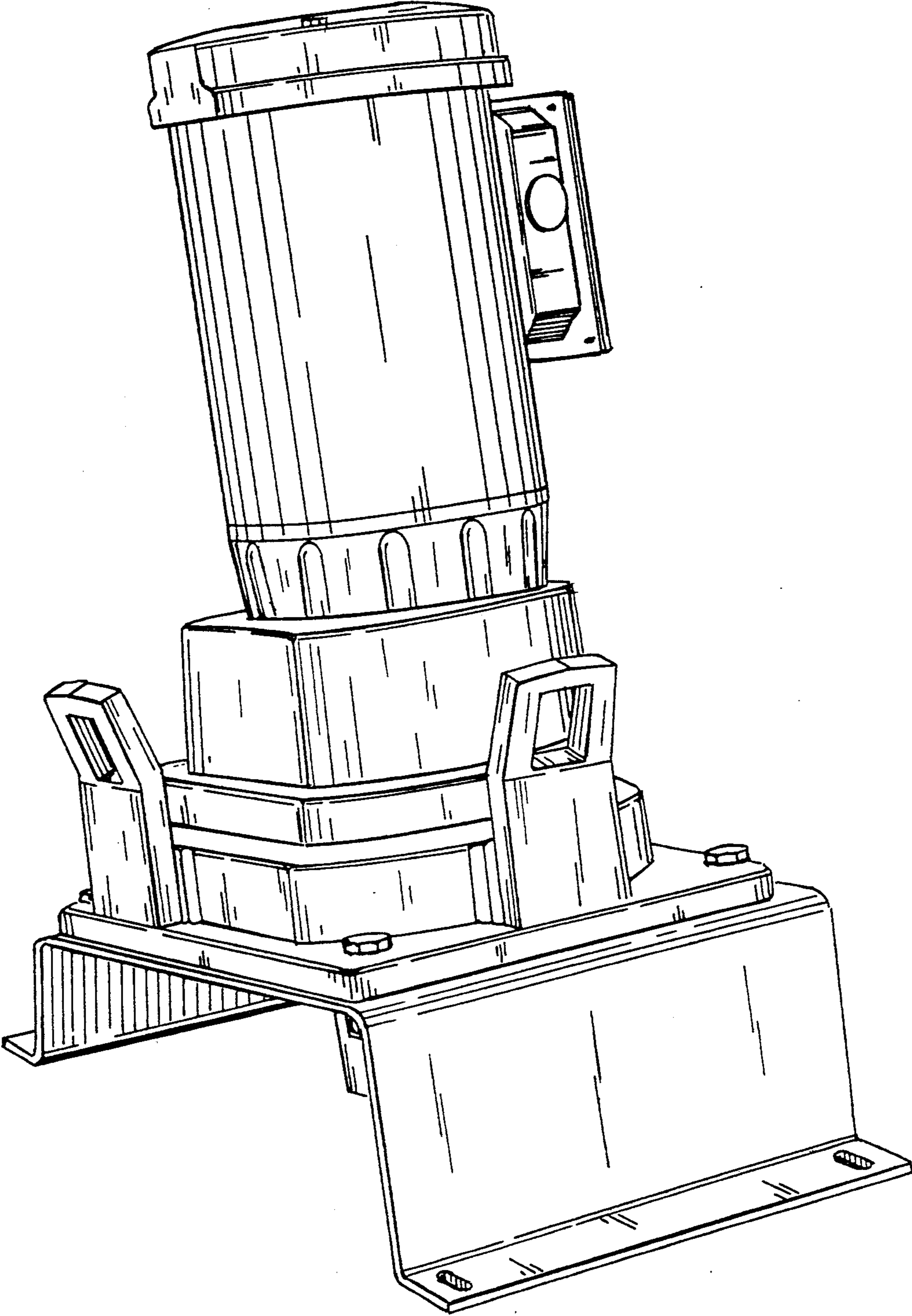


FIG. 8

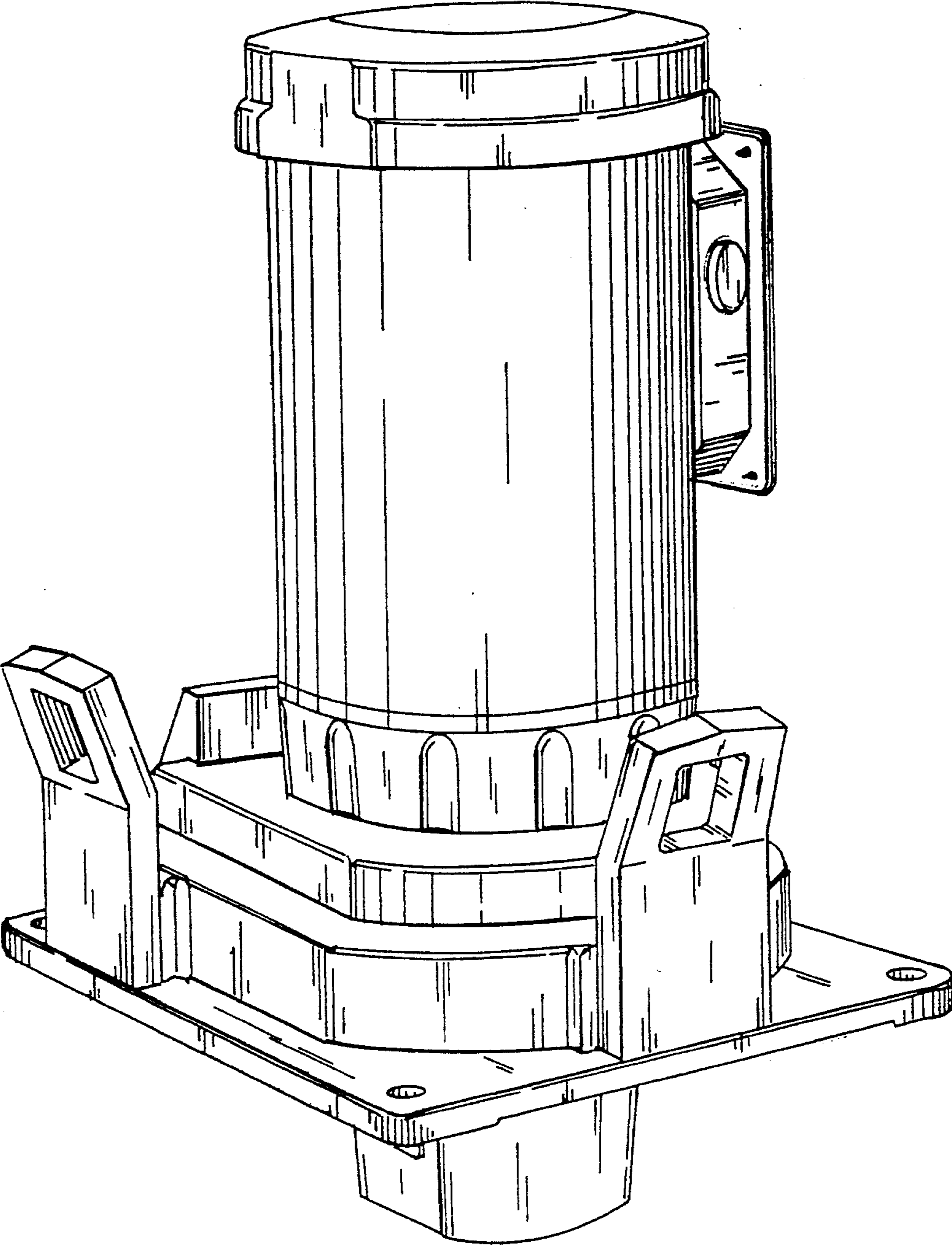


FIG. 9

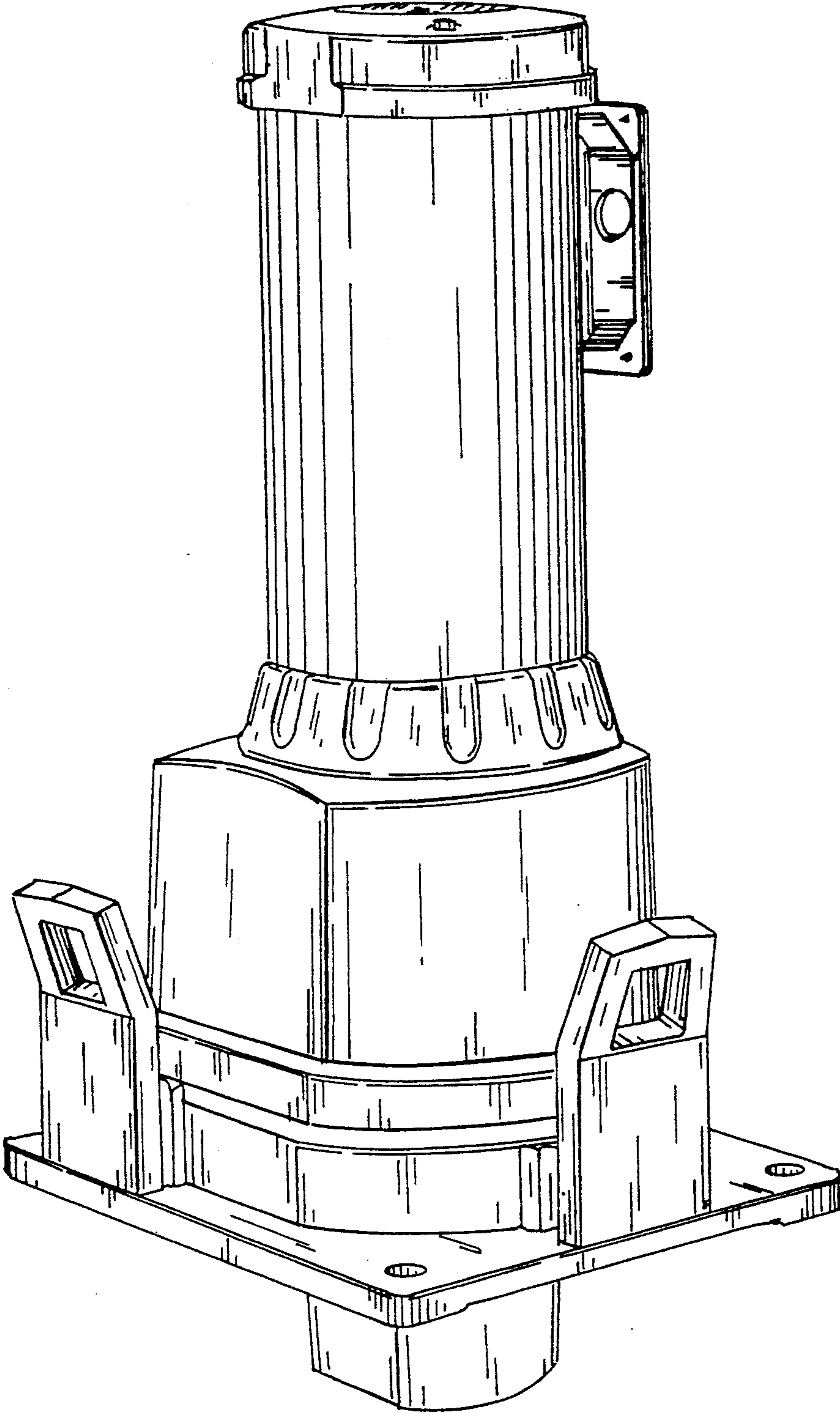


FIG. 10