



US00D346222S

United States Patent [19]

[11] Patent Number: **Des. 346,222**

Sawhney et al.

[45] Date of Patent: **** Apr. 19, 1994**

[54] **COSMETIC SKIN CARE UNIT**

[75] Inventors: **Ravi K. Sawhney; Donald A. Brown,**
both of Canoga Park, Calif.

[73] Assignee: **Selvac Corporation, Dresher, Pa.**

[**] Term: **14 Years**

[21] Appl. No.: **417,211**

[22] Filed: **Oct. 4, 1989**

[52] U.S. Cl. **D24/200**

[58] Field of Search **D9/337; 132/314, 333;**
206/581; D3/39; 128/422, 782, 790, 800, 802,
804; D28/9, 20, 61, 73, 77, 99; D24/34, 40, 41,
99, 36

D. 261,552	10/1981	Boroda	D24/41
D. 274,848	7/1984	Chevassus	D28/76
D. 277,322	1/1985	West	D28/58
1,697,957	1/1929	Kelly	D24/36 X
4,766,915	8/1988	Ficke	132/314

Primary Examiner—Bernard Ansher

Assistant Examiner—C. Tuttle

Attorney, Agent, or Firm—Panitch Schwarze Jacobs & Nadel

[57] CLAIM

The ornamental design for a cosmetic skin care unit, as shown and described.

DESCRIPTION

FIG. 1 is a top plan view of a cosmetic skin care unit showing our new design;

FIG. 2 is a front elevational view thereof;

FIG. 3 is a left-side elevational view thereof;

FIG. 4 is a bottom plan view thereof;

FIG. 5 is a rear elevational view thereof;

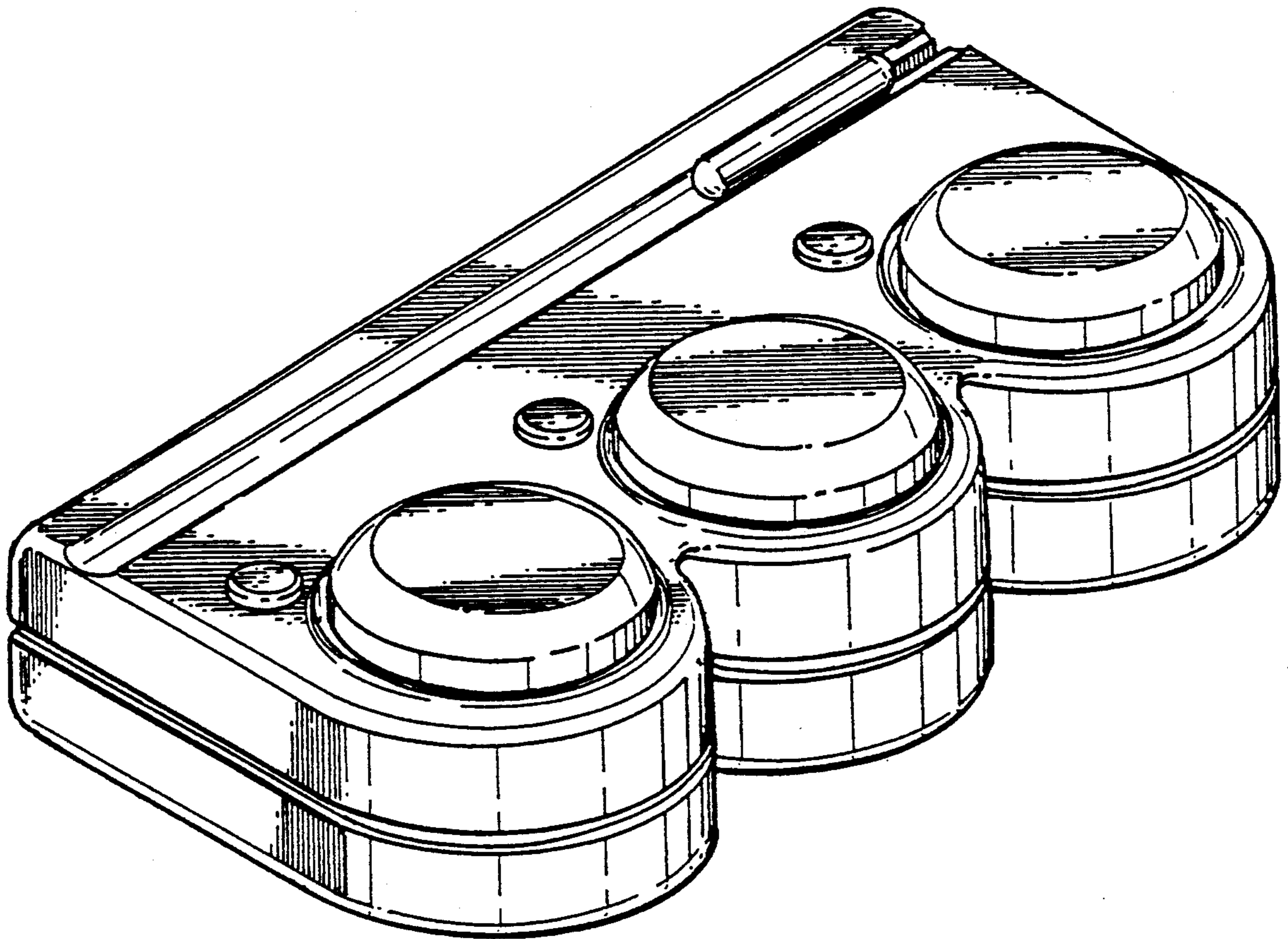
FIG. 6 is a right-side elevational view thereof; and,

FIG. 7 is a perspective view thereof.

[56] References Cited

U.S. PATENT DOCUMENTS

D. 16,253	9/1885	Meyer	D9/414
D. 103,887	3/1937	Conner	D28/77 X
D. 123,047	10/1940	Brooks	D28/77
D. 192,841	5/1962	Moss et al.	D24/40
D. 212,445	10/1968	Anthony et al.	D28/77



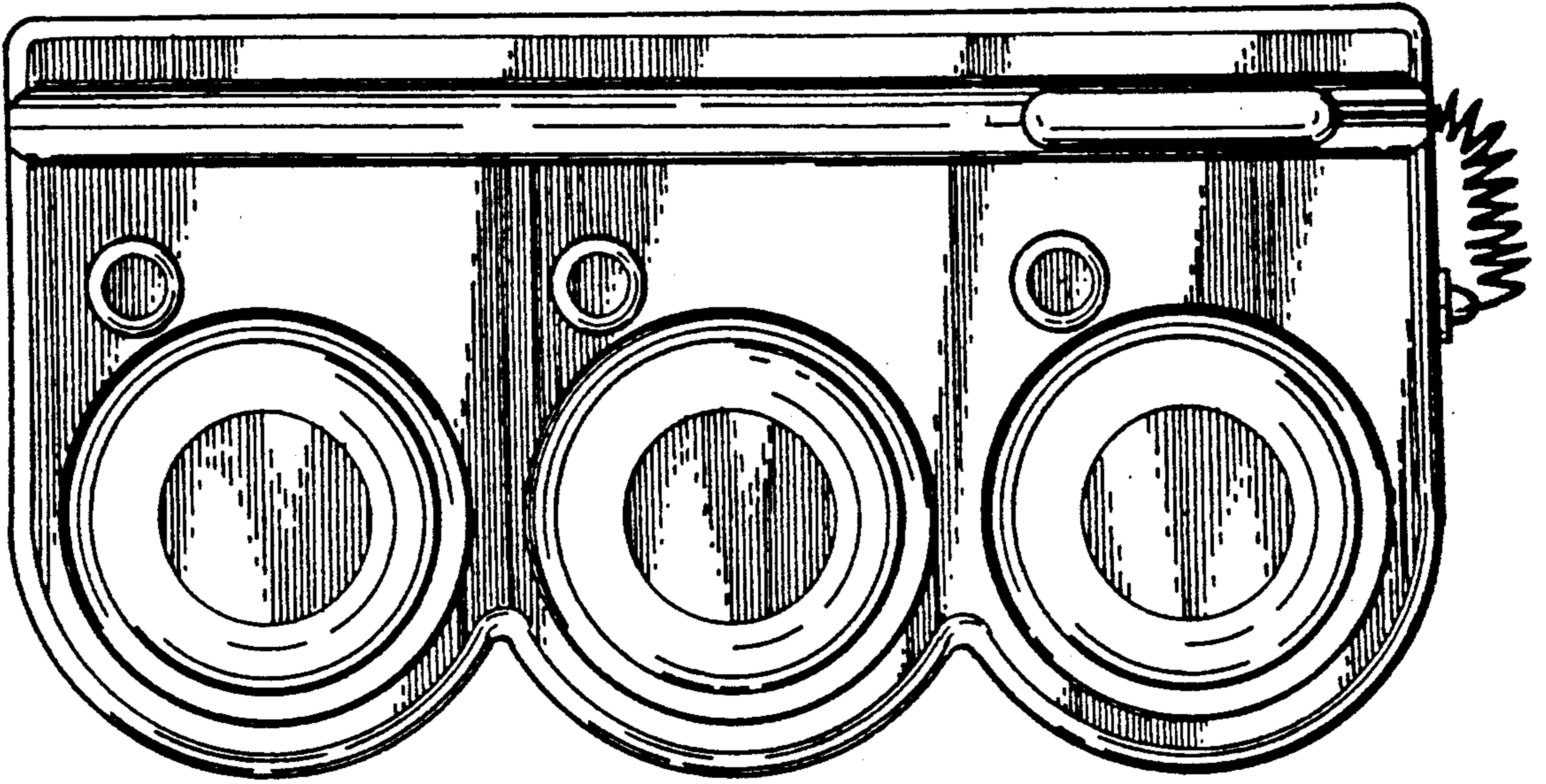


FIG. 1

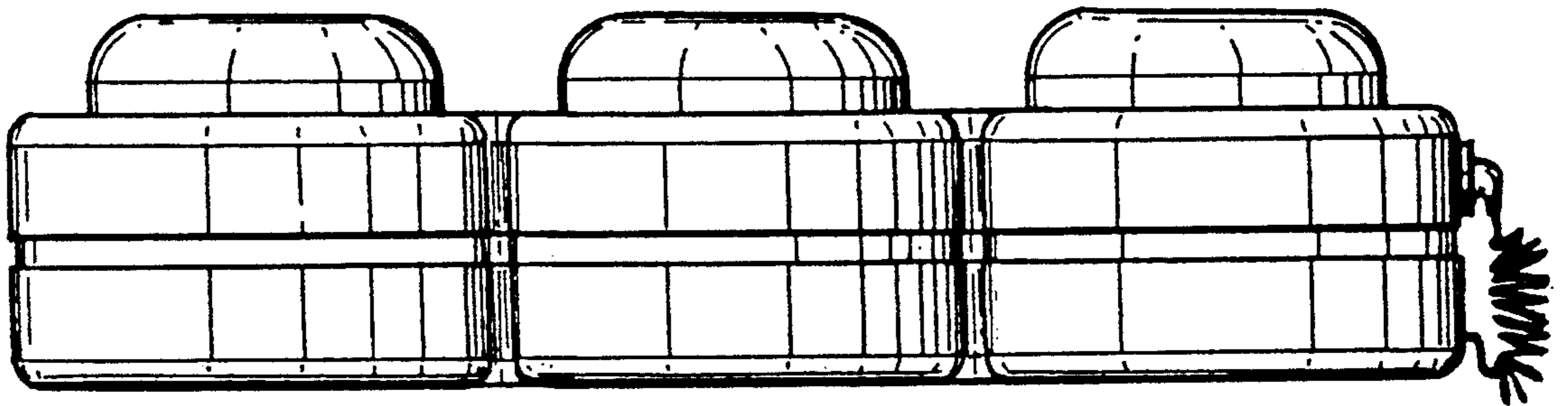


FIG. 2

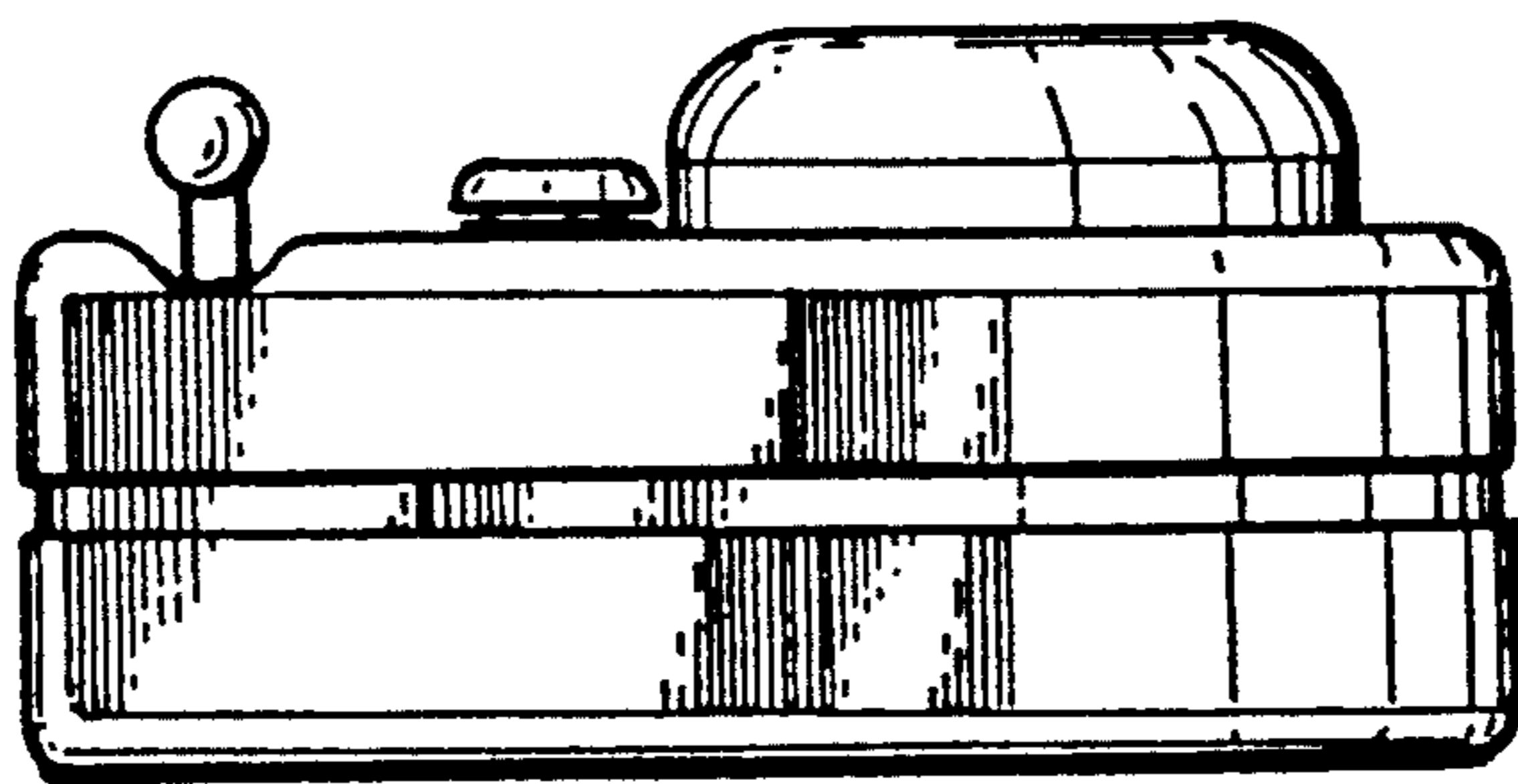


FIG. 3

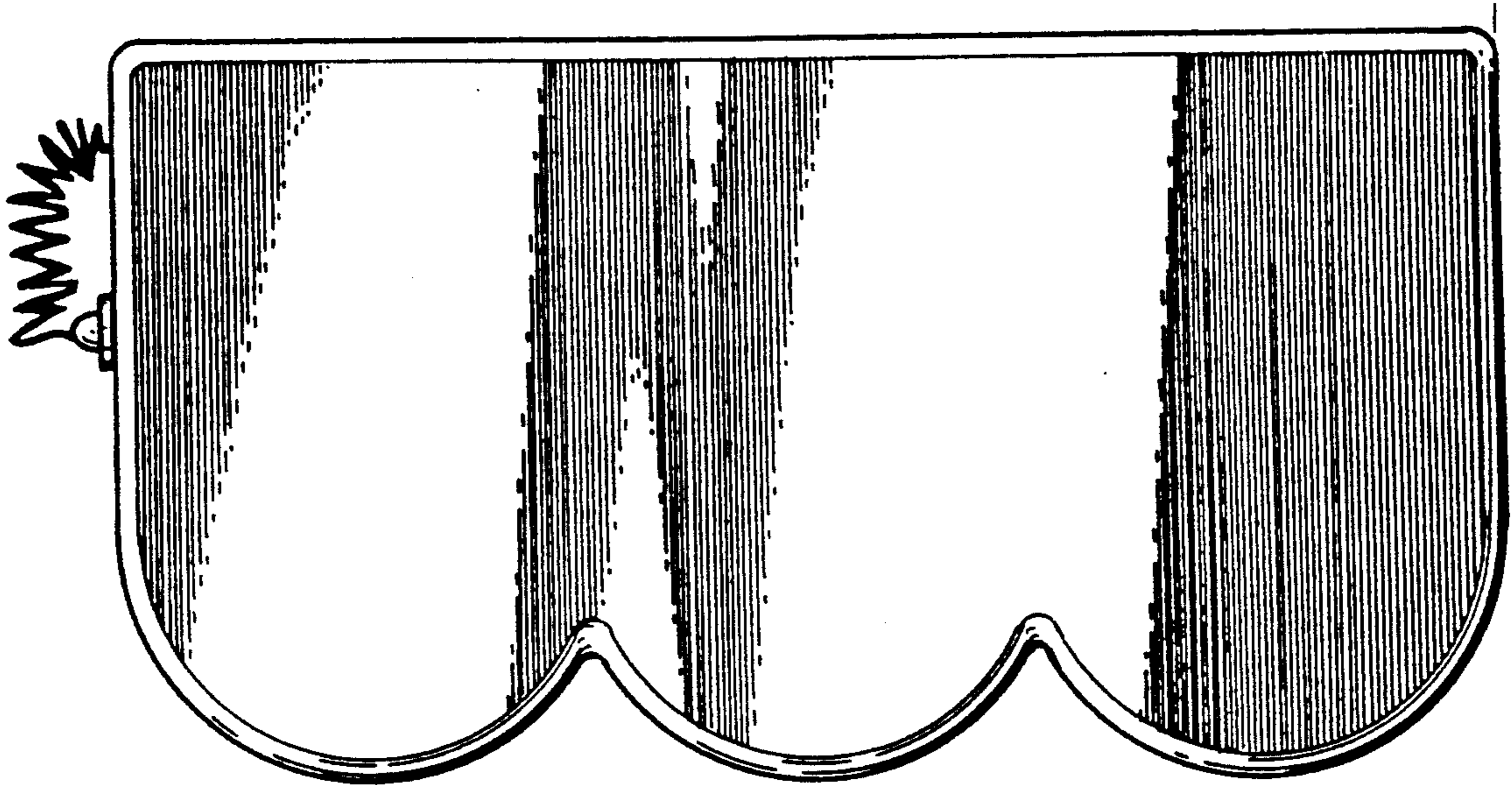


FIG. 4

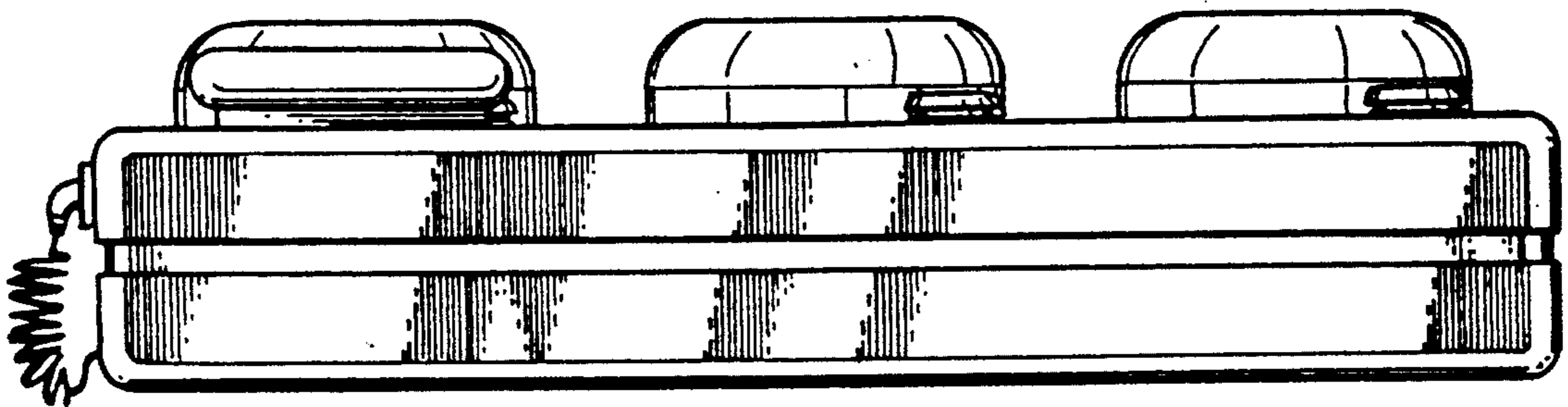


FIG. 5

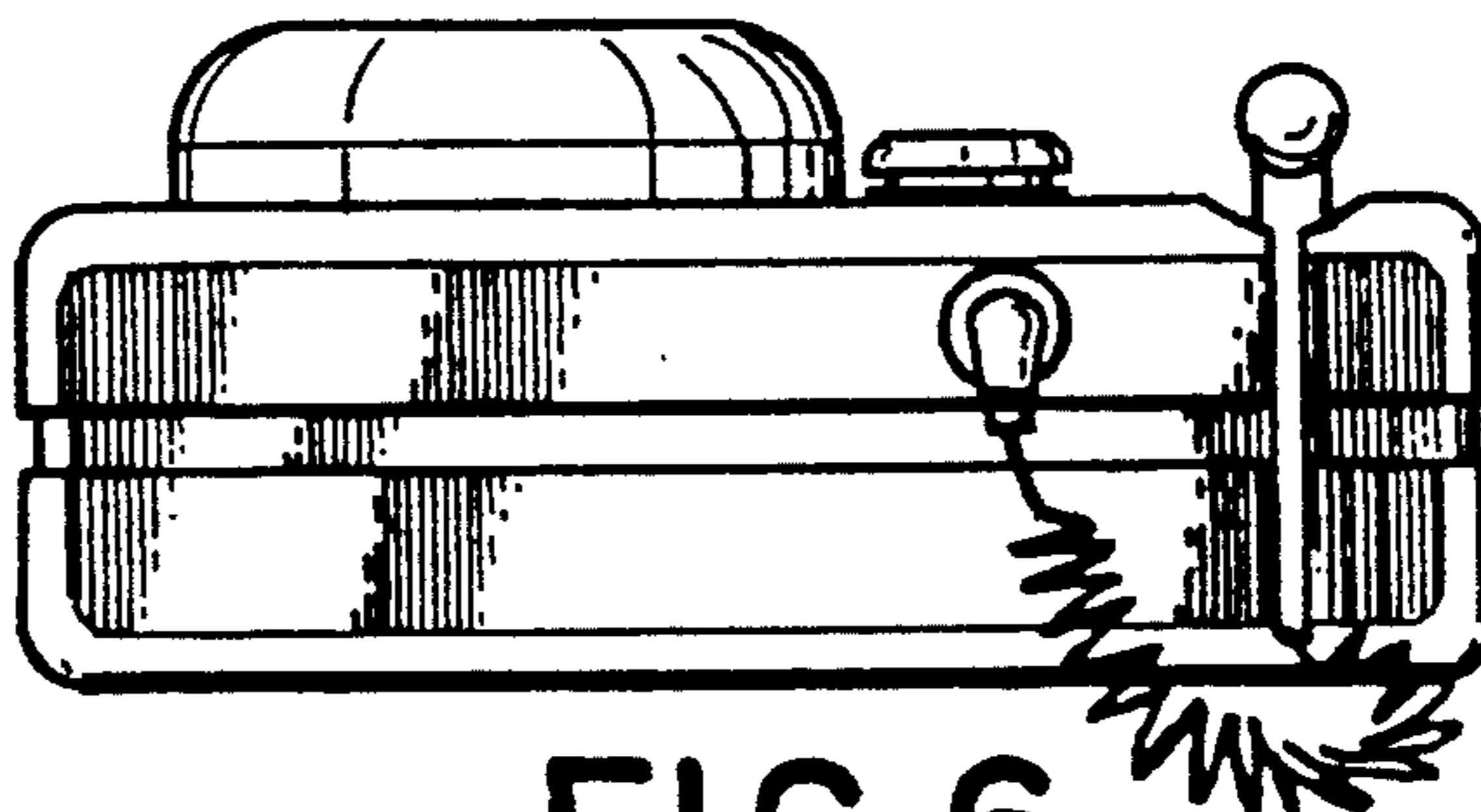


FIG. 6

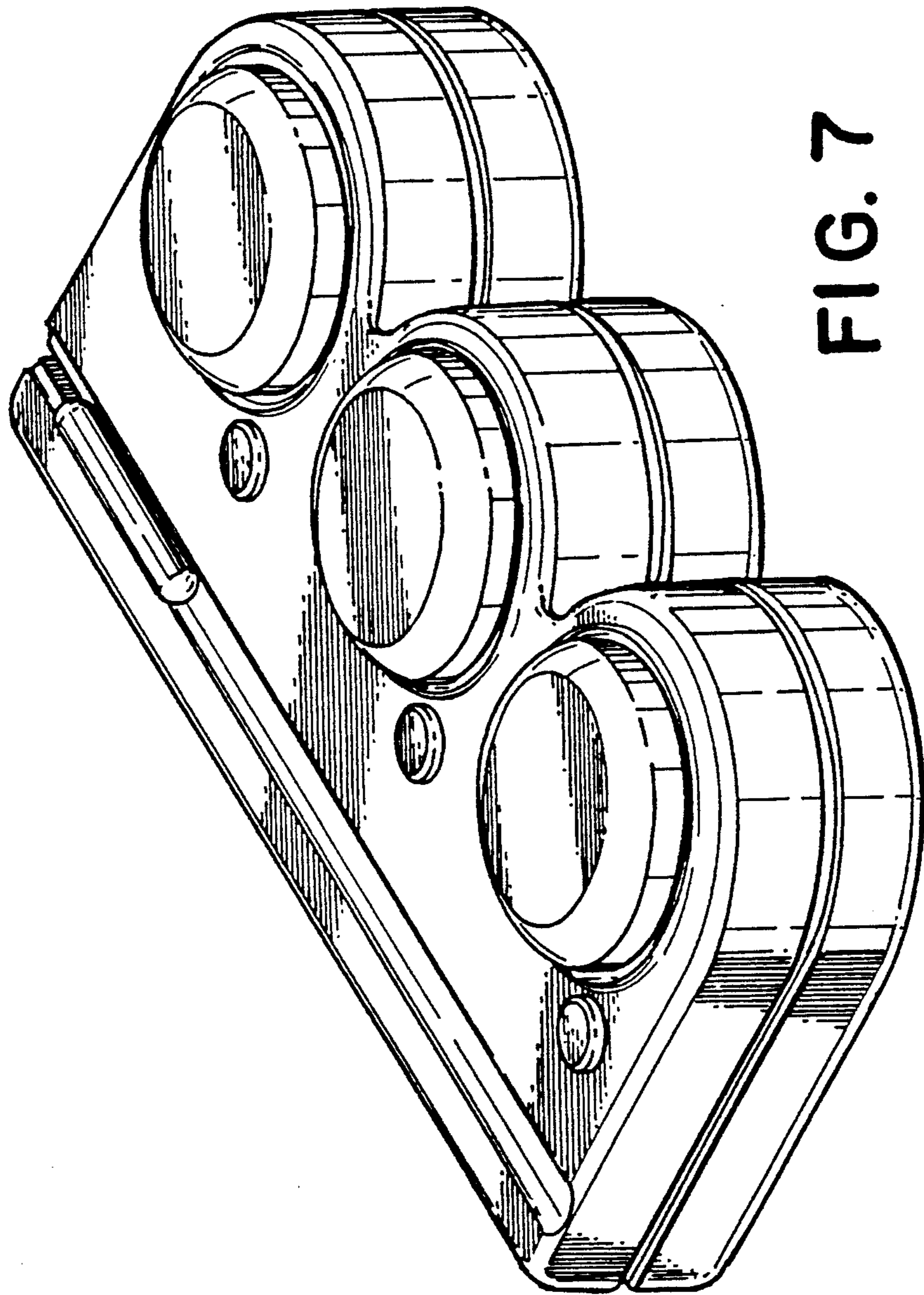


FIG. 7