



US00D346221S

United States Patent [19]
Godfrey

[11] **Patent Number: Des. 346,221**
[45] **Date of Patent: ** Apr. 19, 1994**

[54] **HOLDER FOR A NURSING BOTTLE**

2,448,189 8/1948 Mott 248/104
2,826,386 3/1958 Conrad D24/199 X

[76] **Inventor: Dennis H. Godfrey, 1604 Lower Moncure Rd., Sanford, N.C. 27330**

Primary Examiner—Stella Reid
Attorney, Agent, or Firm—S. Michael Bender

[**] **Term: 14 Years**

[57] **CLAIM**

[21] **Appl. No.: 812,368**

The ornamental design for a holder for a nursing bottle, as shown and described.

[22] **Filed: Dec. 23, 1991**

[52] **U.S. Cl. D24/199**

[58] **Field of Search 248/102, 103, 104, 105, 248/106; D24/199**

DESCRIPTION

FIG. 1 is a front elevational view of the holder for a nursing bottle showing my new design; FIG. 2 is a rear elevational view thereof; FIG. 3 is a left side elevational view thereof; FIG. 4 is a right side elevational view thereof; FIG. 5 is a top plan view thereof; FIG. 6 is a bottom plan view thereof; and, FIG. 7 is an isometric view thereof.

[56] **References Cited**

U.S. PATENT DOCUMENTS

D. 266,273 9/1982 Bass D24/199
D. 326,524 5/1992 Lawal et al. D24/199
2,110,037 3/1938 DeRosa 248/104

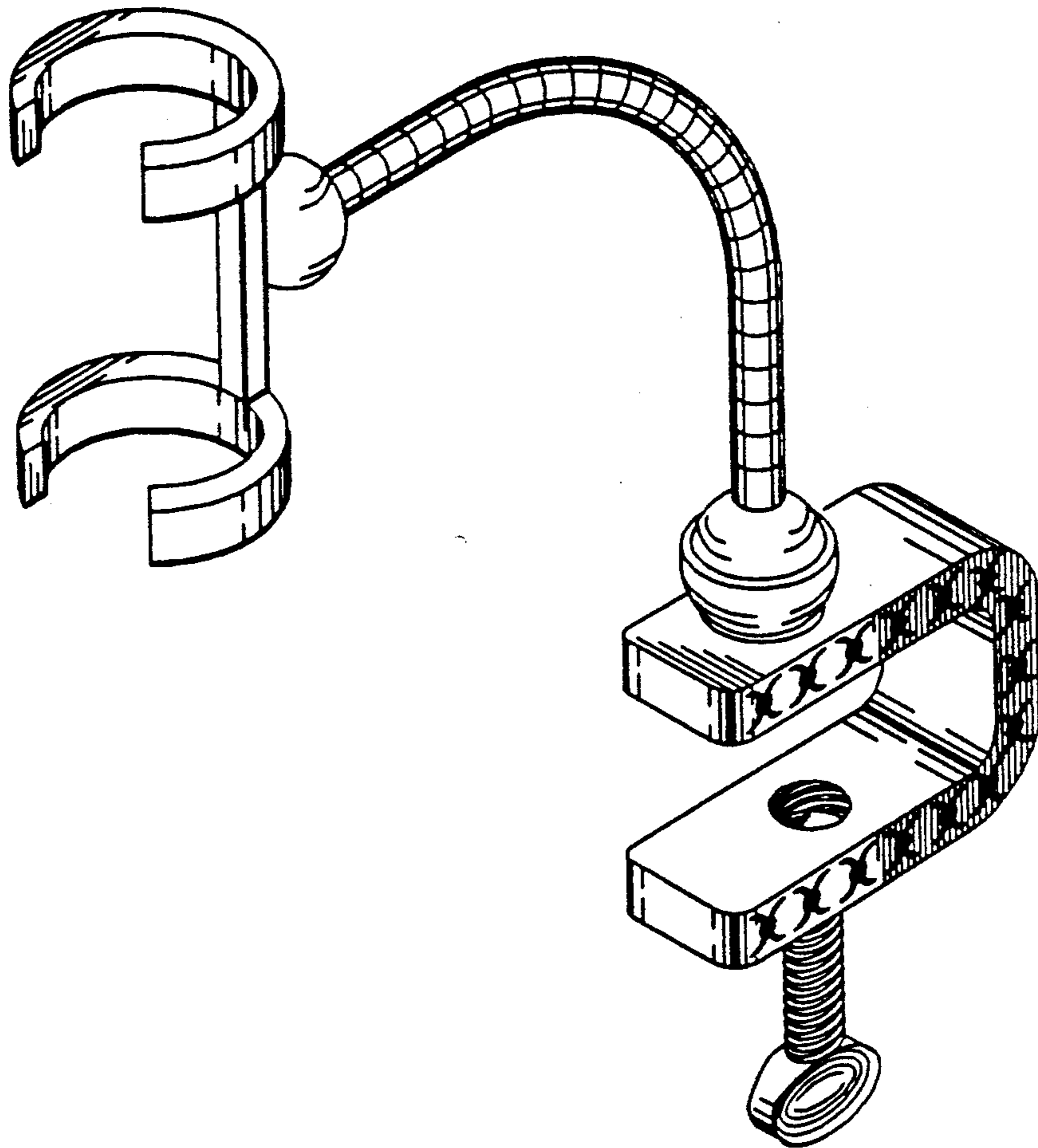


FIG. 1

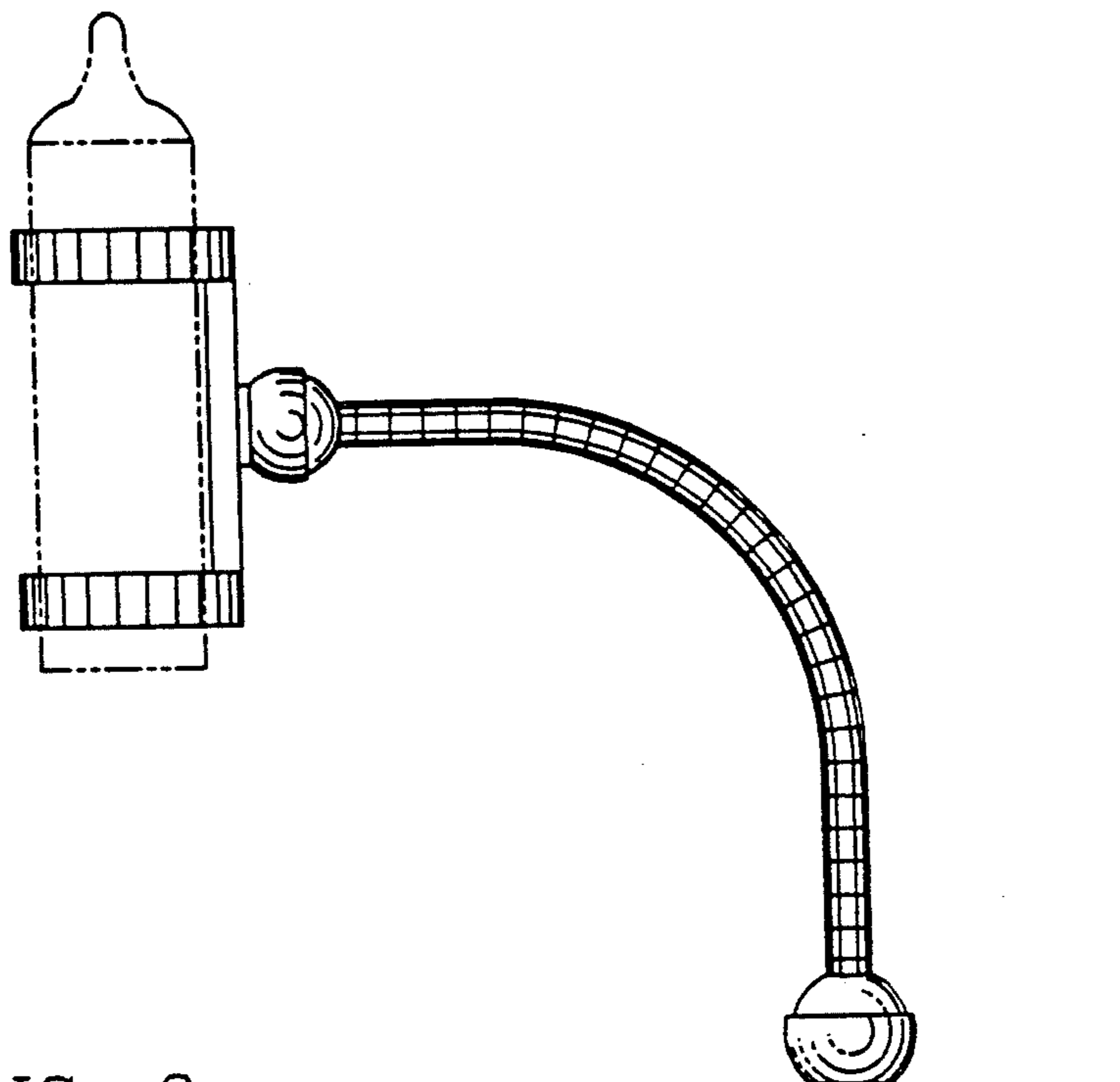


FIG. 2

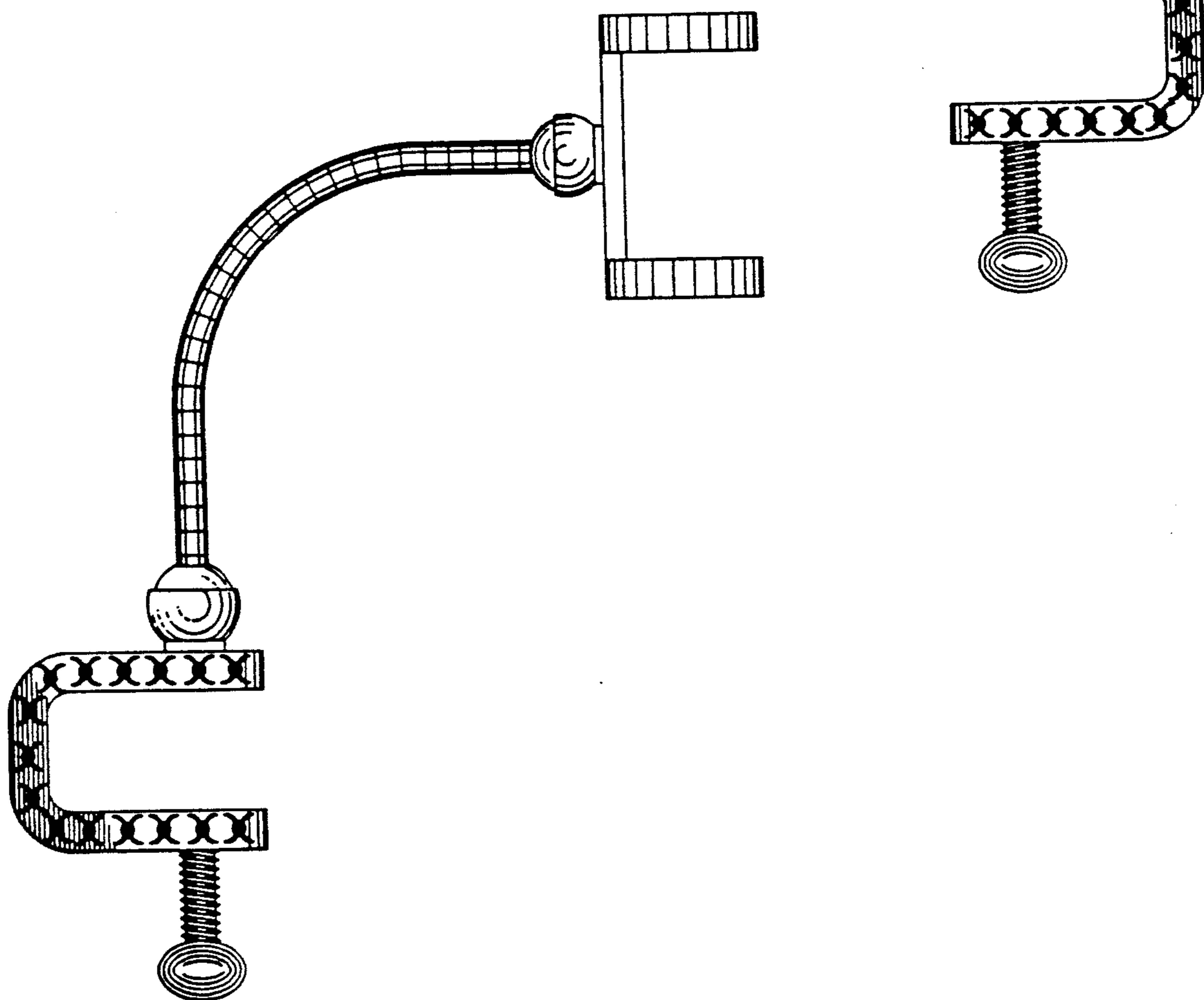


FIG. 3

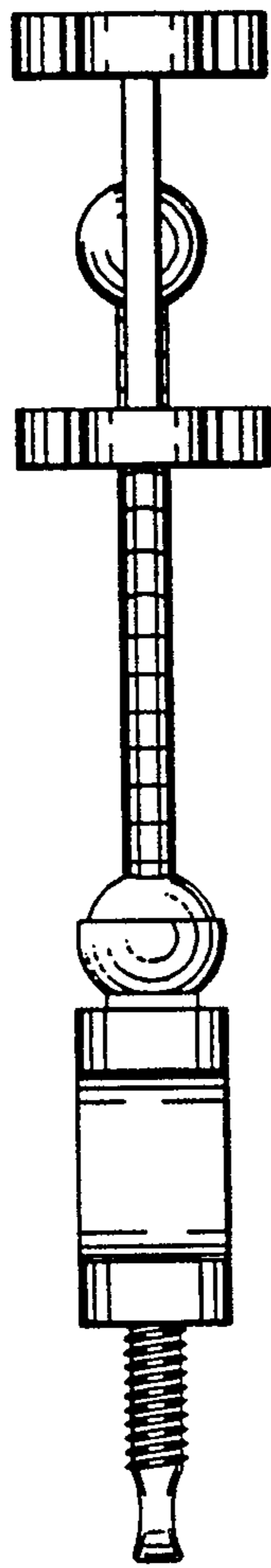


FIG. 4

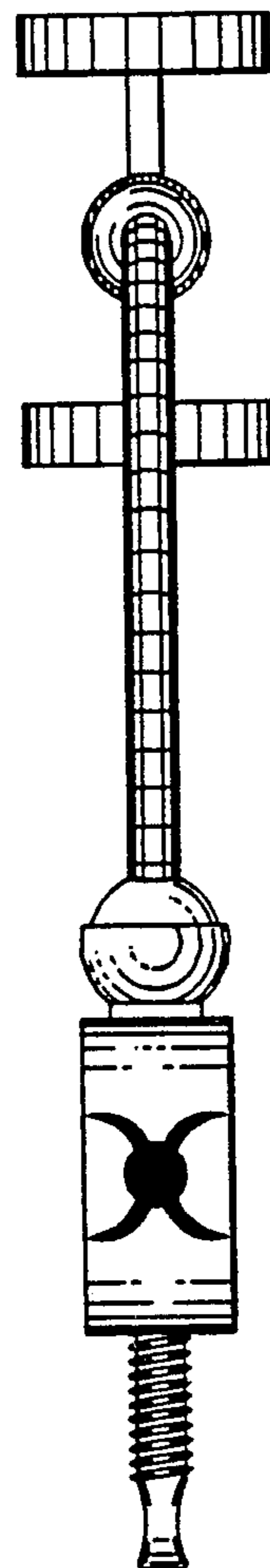


FIG. 5

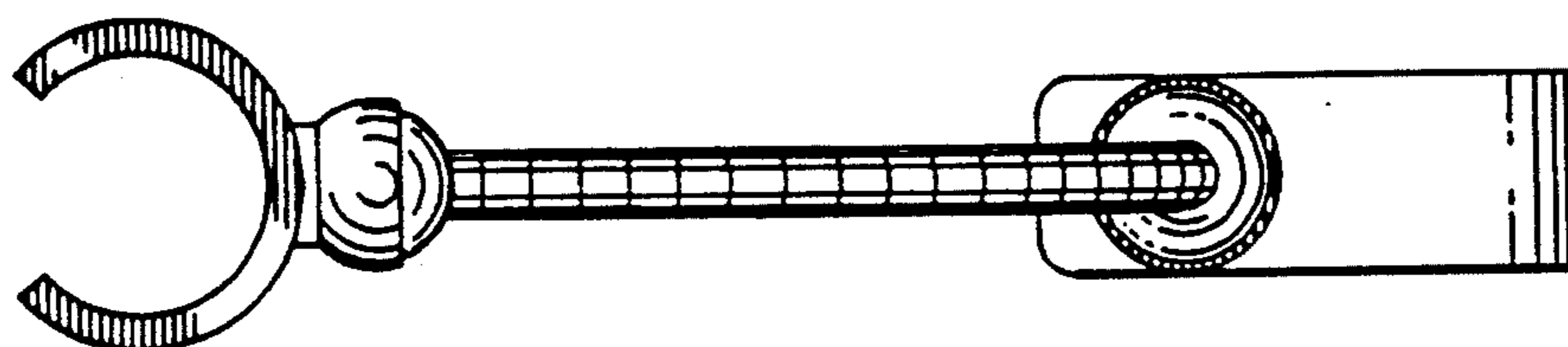


FIG. 6

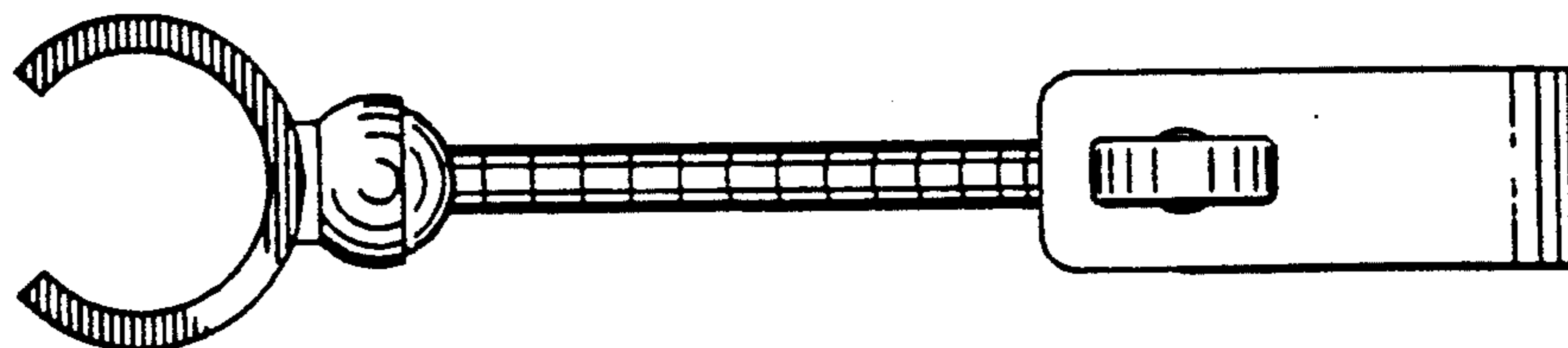


FIG. 7

