



US00D346220S

United States Patent [19]

[11] Patent Number: **Des. 346,220**

Miya

[45] Date of Patent: **** Apr. 19, 1994**

[54] **OXYGEN SYSTEM MOUNTING ASSEMBLY**

[56]

References Cited

U.S. PATENT DOCUMENTS

4,621,633 11/1986 Bowles et al. 128/203.17
4,944,292 7/1990 Gaeke et al. 128/204.18

[75] Inventor: **Tomio Miya, Culver City, Calif.**

Primary Examiner—Stella Reid
Attorney, Agent, or Firm—Graham & James

[73] Assignee: **American Safety Flight Systems, Inc.,
Glendale, Calif.**

[57] CLAIM

[**] Term: **14 Years**

The ornamental design for an oxygen system mounting assembly, as shown.

DESCRIPTION

[21] Appl. No.: **570,288**

FIG. 1 is a perspective view of an oxygen system mounting assembly showing my new design;
FIG. 2 is a top plan view thereof;
FIG. 3 is a front elevational view thereof;
FIG. 4 is a bottom plan view thereof;
FIG. 5 is a rear elevational view thereof;
FIG. 6 is a right side elevational view thereof; and,
FIG. 7 is a left side elevational view thereof.

[22] Filed: **Aug. 20, 1990**

[52] U.S. Cl. **D24/164**

[58] Field of Search 128/204.23, 204.18,
128/207.18, 203, 17, 200.28; 248/122, 129;
312/209, 250; D24/164

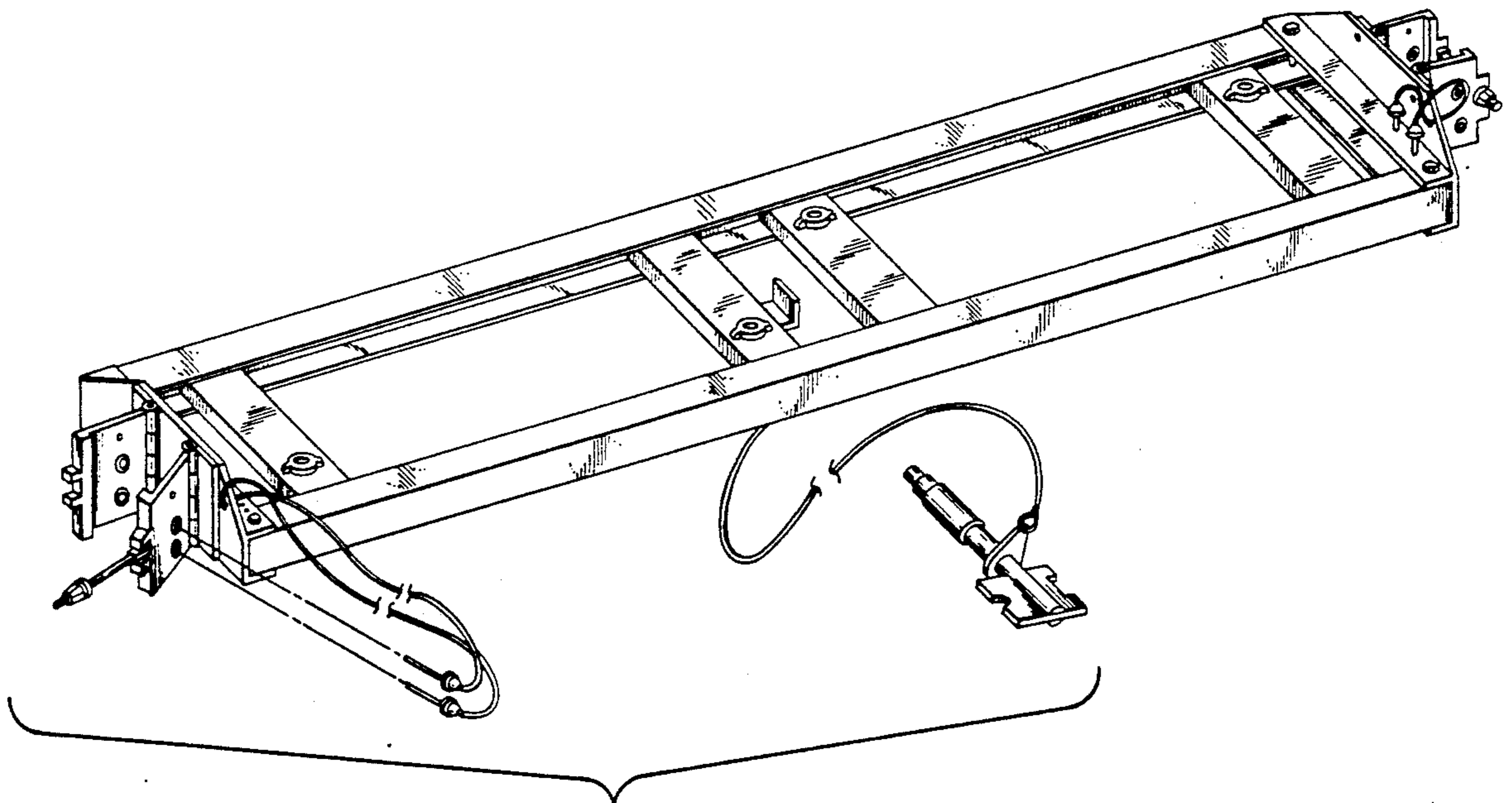
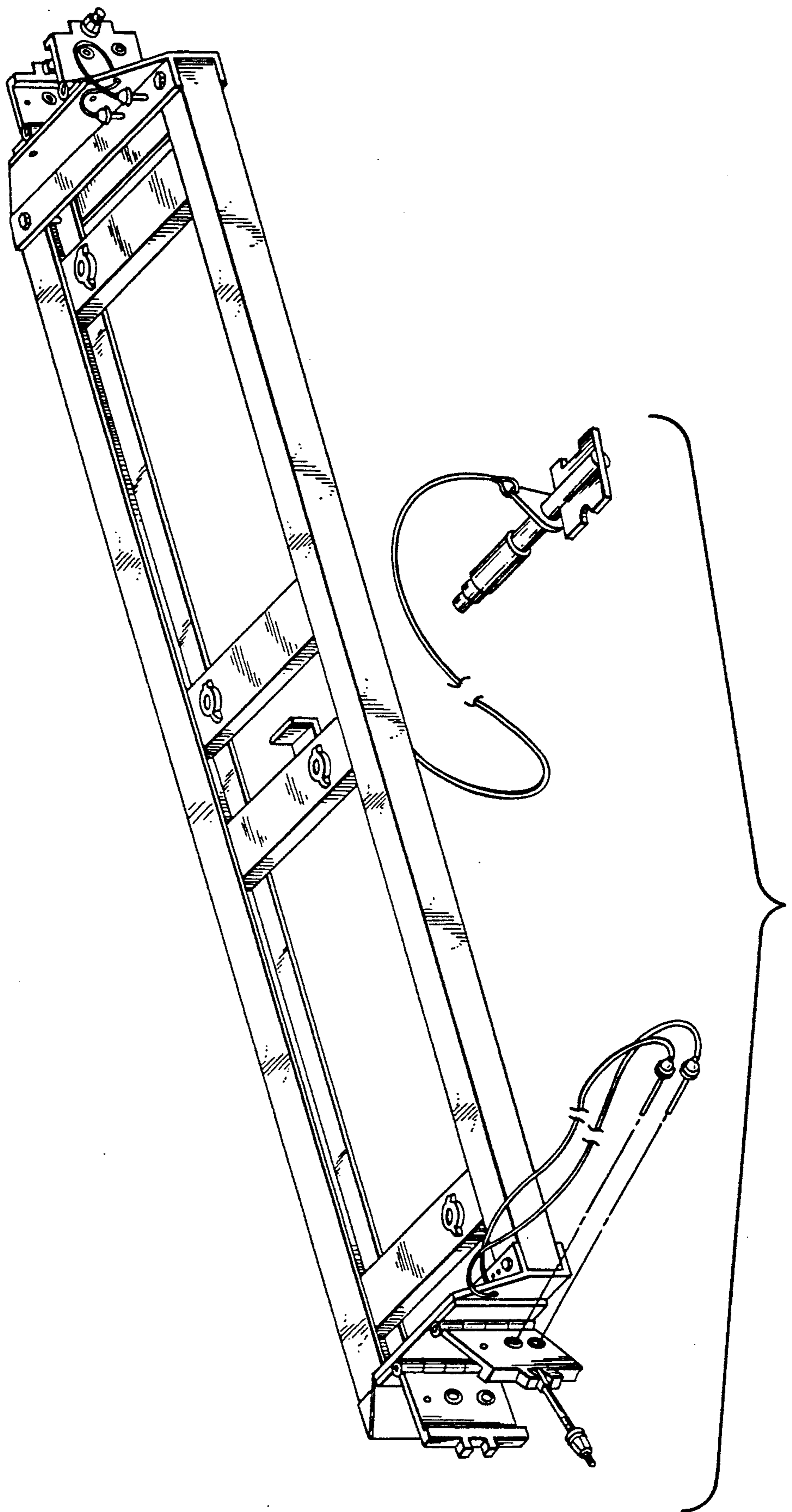


FIG. 1



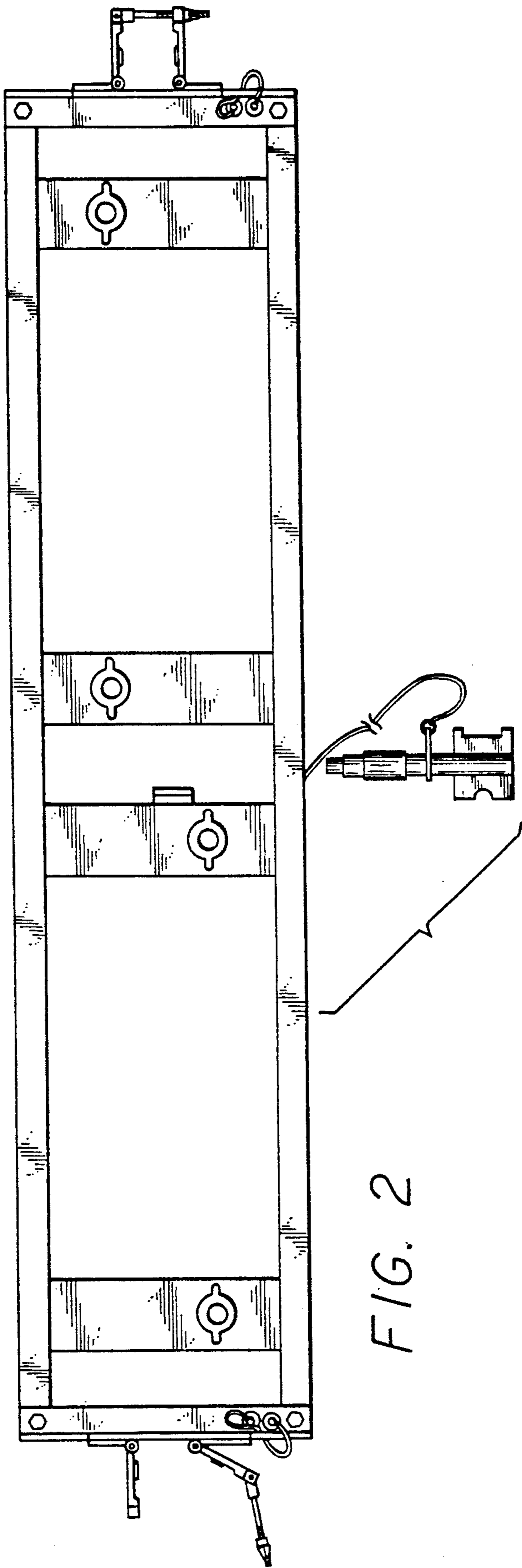


FIG. 2

FIG. 3

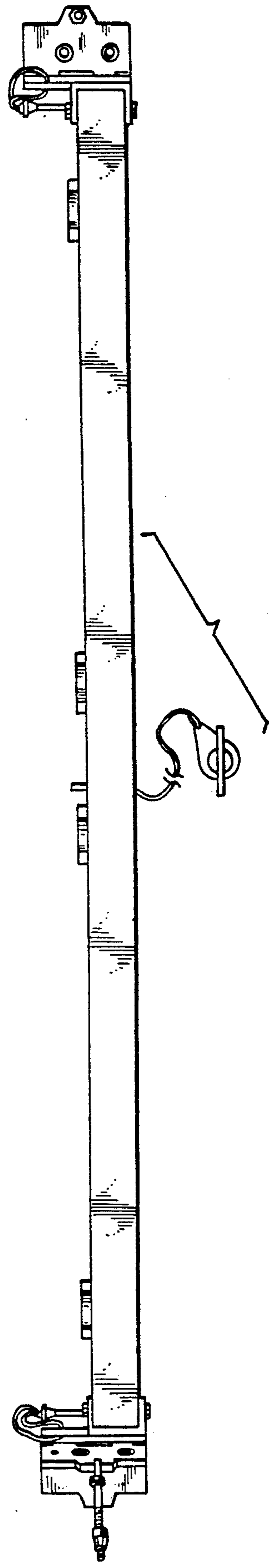


FIG. 4

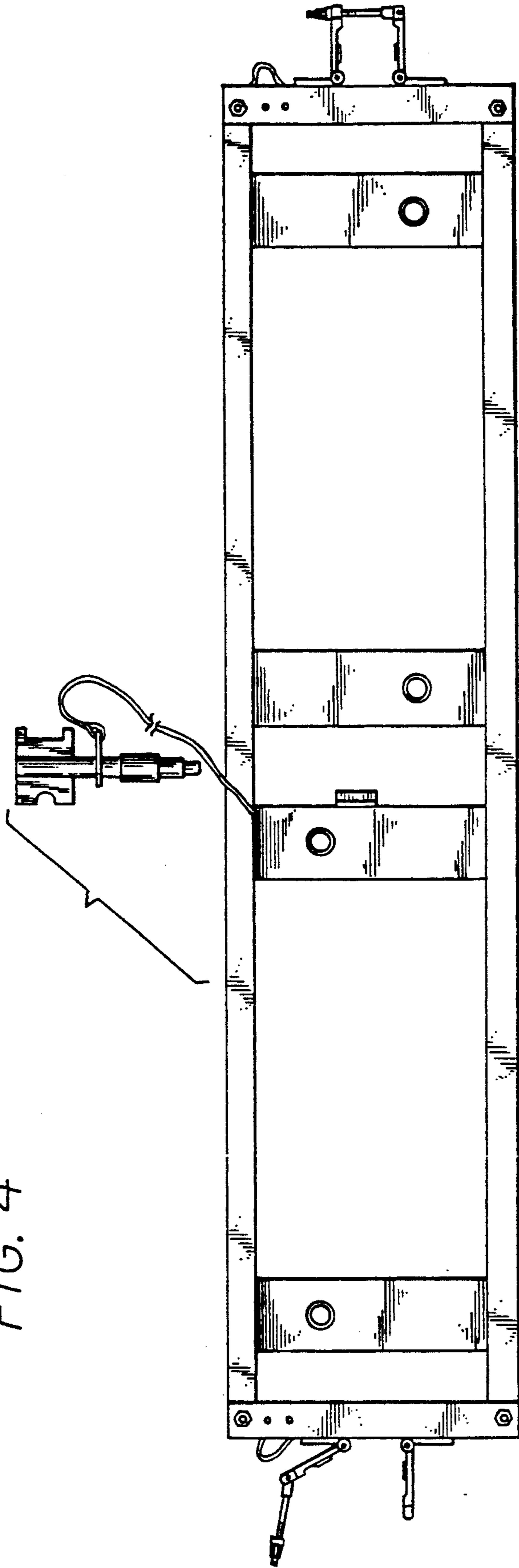


FIG. 5

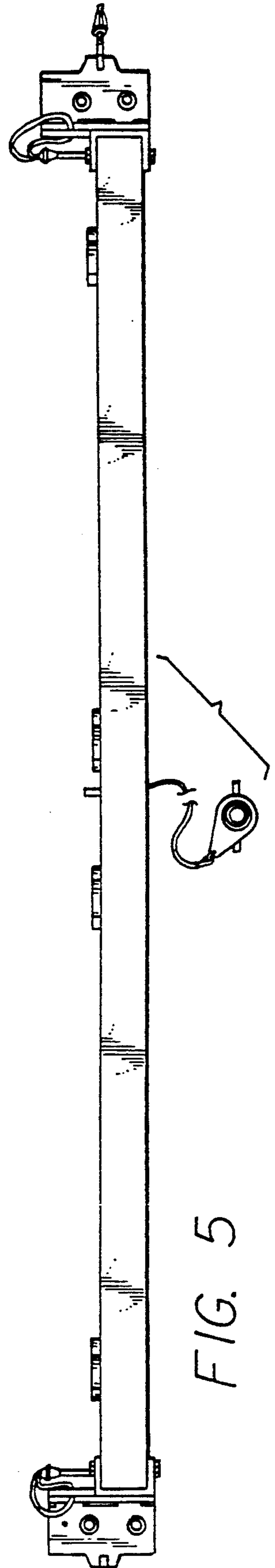


FIG. 6

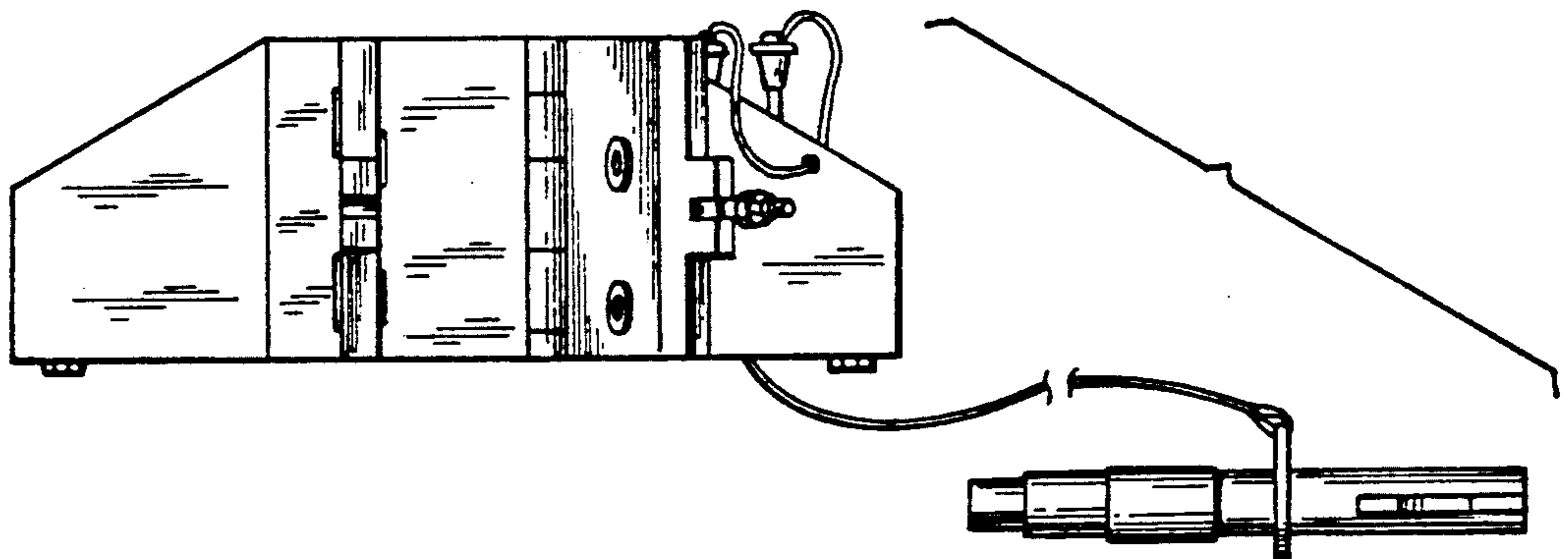
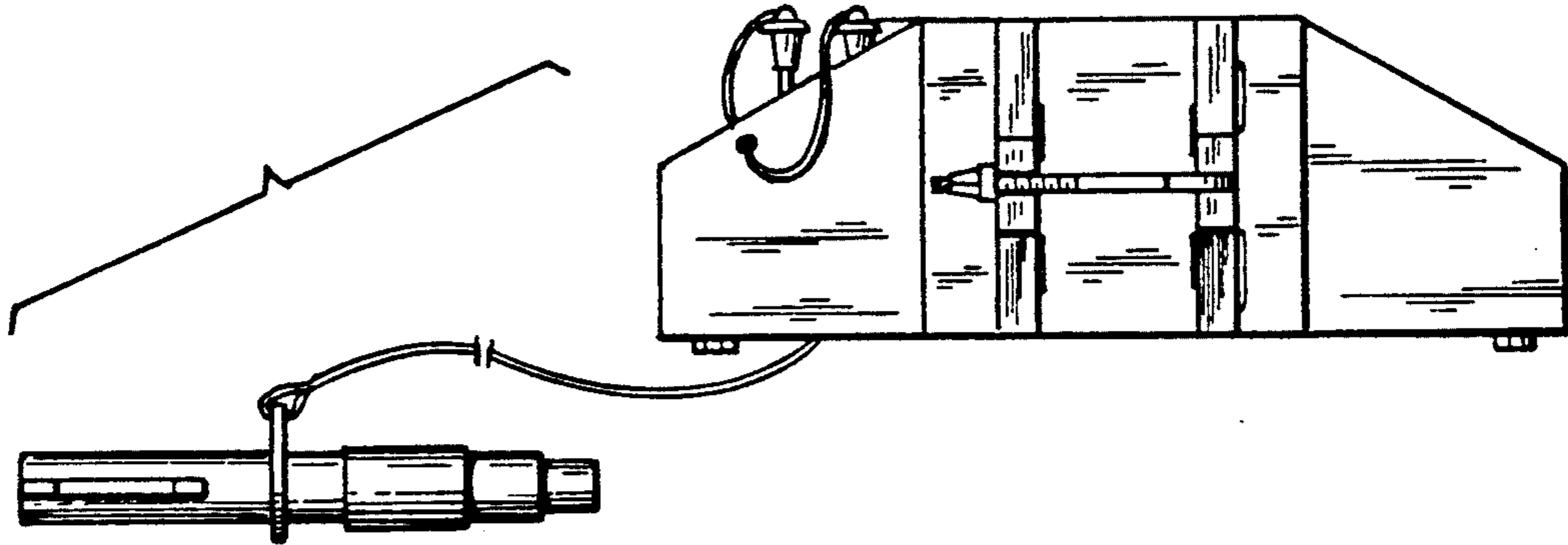


FIG. 7