



US00D346212S

United States Patent [19]

[11] Patent Number: **Des. 346,212**

Hösl

[45] Date of Patent: **** Apr. 19, 1994**

[54] PORTABLE ORAL DOUCHE

4,906,187	3/1990	Amadera	433/85 X
5,082,444	1/1992	Rhoades et al.	433/80
5,098,291	3/1992	Curtis et al.	433/80 X
5,197,460	3/1993	Ito et al.	128/66

[76] Inventor: **Ernst Hösl**, Prielmayerstrasse 3/IV
W, 8000 München 2, Fed. Rep. of
Germany

Primary Examiner—A. Hugo Word
Assistant Examiner—I. Simmons
Attorney, Agent, or Firm—Cohen, Pontani, Lieberman,
Pavane

[**] Term: **14 Years**

[21] Appl. No.: **867,927**

[57] **CLAIM**

[22] Filed: **Apr. 13, 1992**

The ornamental design for a portable oral douche, as
shown and described.

[52] U.S. Cl. **D24/111; D24/108;**
D24/176

[58] Field of Search 128/66, 62 A; 433/80,
433/83, 84, 85, 87, 88, 89; D24/108, 111, 221,
112

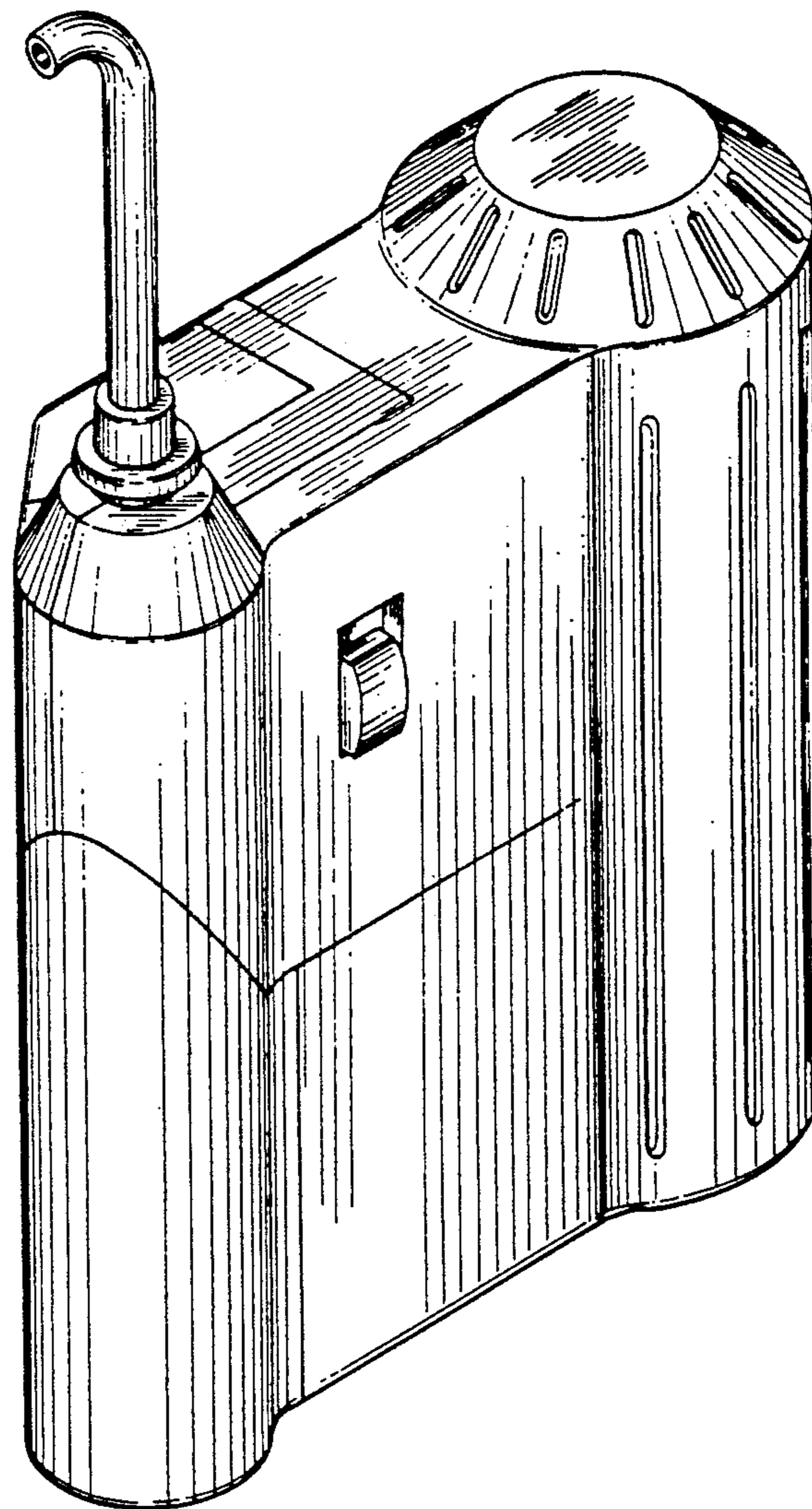
DESCRIPTION

[56] **References Cited**

U.S. PATENT DOCUMENTS

D. 221,222	7/1971	Flatray	D24/111
D. 318,918	8/1991	Hartwein	D24/111
D. 322,314	12/1991	Ohbayashi	D24/113
3,391,896	7/1968	Woodward	128/62 A

FIG. 1 is an elevated perspective view;
FIG. 2 is a front view;
FIG. 3 is a rear view;
FIG. 4 is a top plan view;
FIG. 5 is a bottom plan view;
FIG. 6 is a view of one side; and,
FIG. 7 is a view of the side opposite that depicted in
FIG. 6.



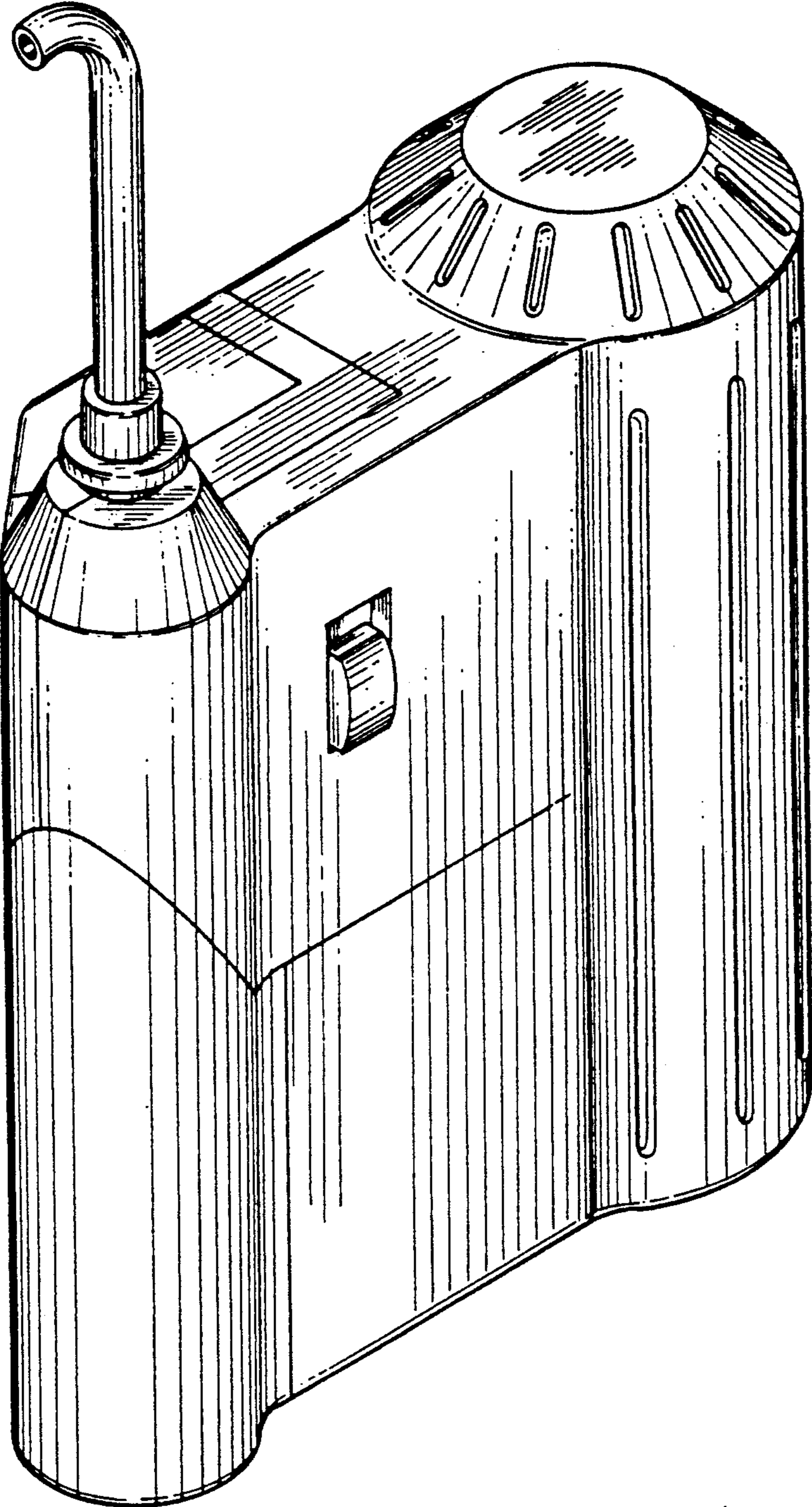


FIG. 1

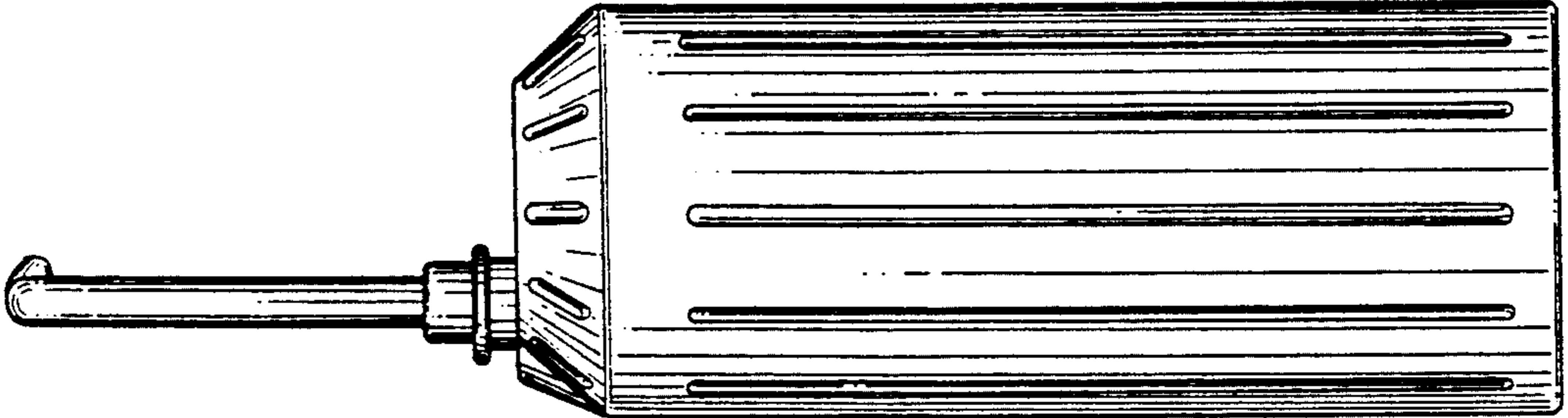


FIG. 3

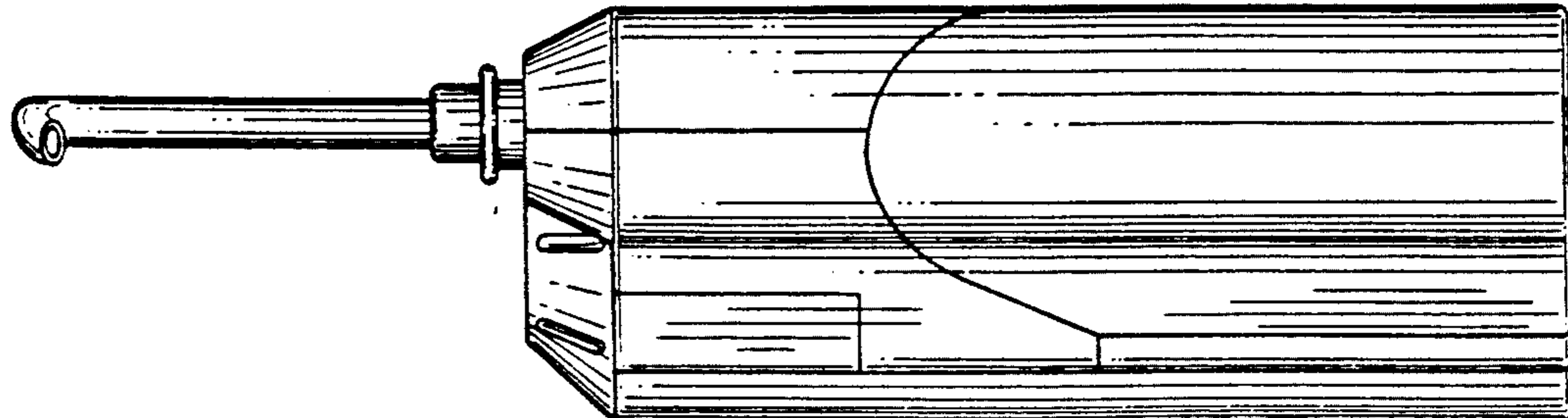


FIG. 2

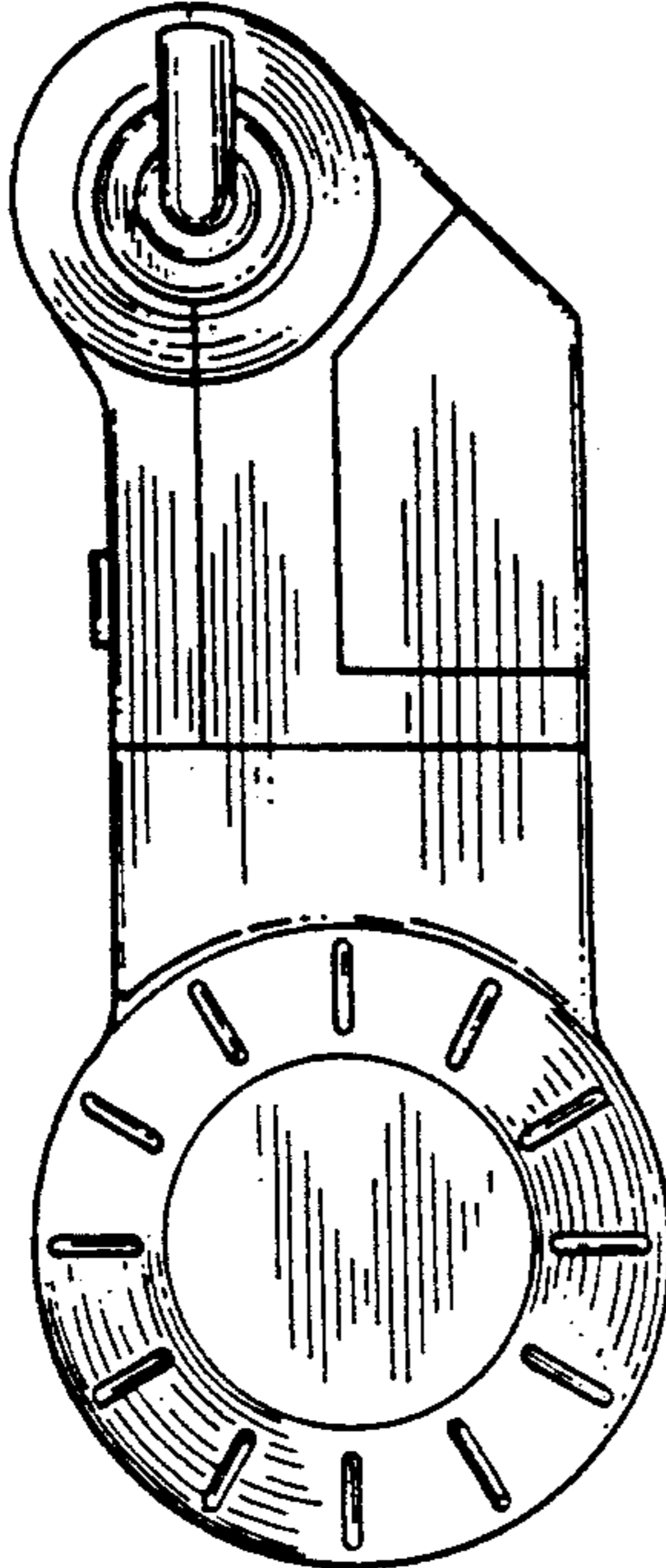


FIG. 4

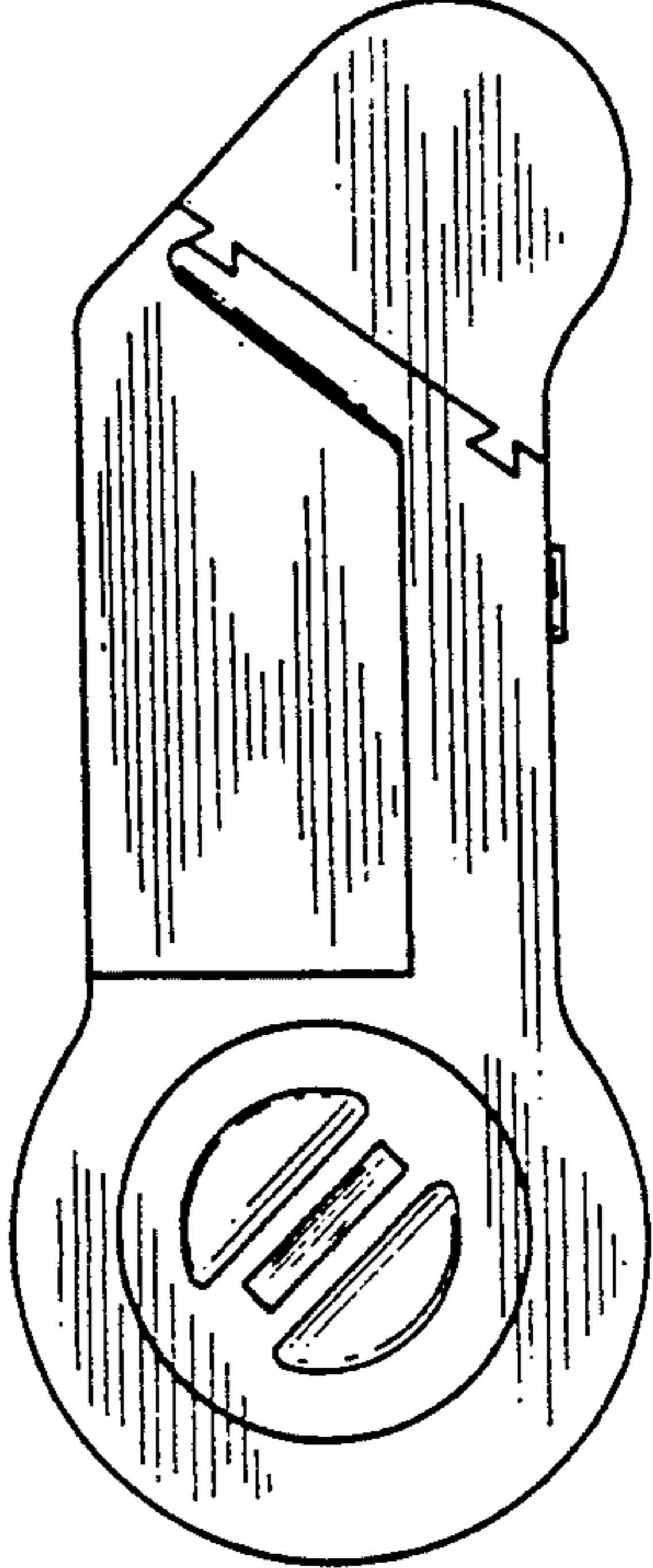


FIG. 5

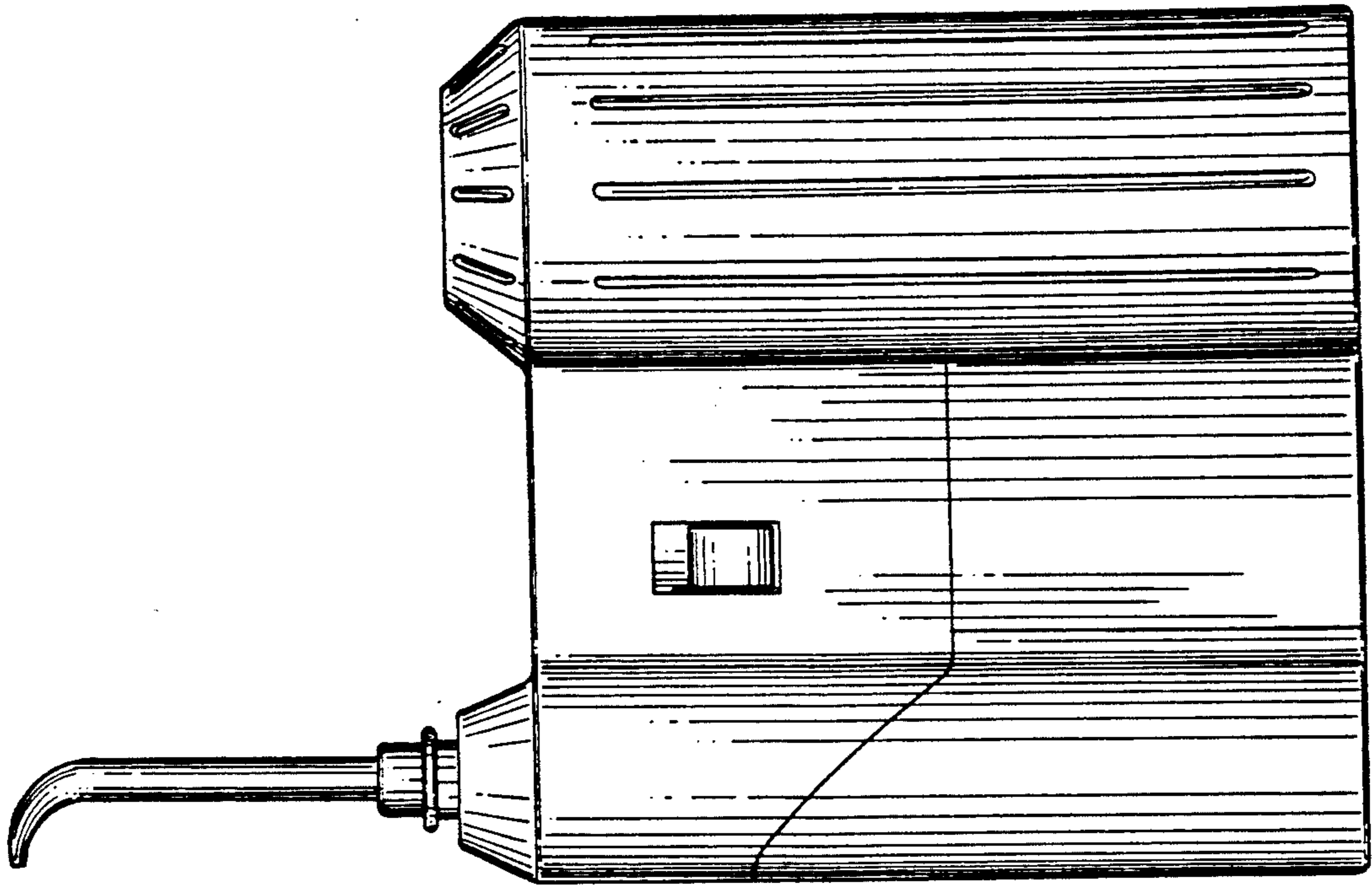


FIG. 7

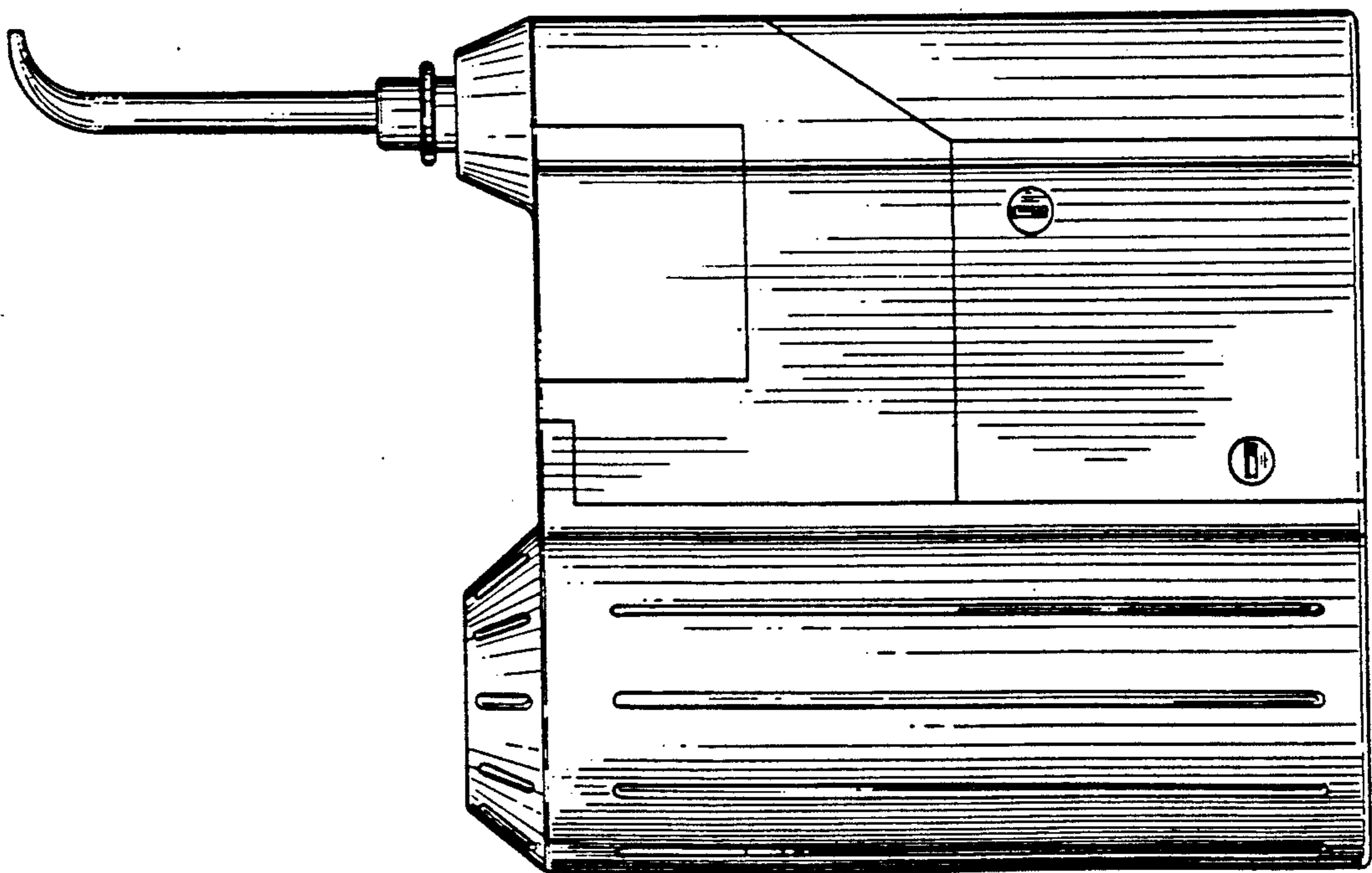


FIG. 6