



US00D346211S

# United States Patent [19]

[11] Patent Number: **Des. 346,211**

Bucher et al.

[45] Date of Patent: **\*\* Apr. 19, 1994**

[54] **COMBINED NEON CEILING FAN MOTOR HOUSING AND SUPPORT ROD**

*Primary Examiner—Wallace H. Burke  
Assistant Examiner—Lisa Lichtenstein  
Attorney, Agent, or Firm—Dominik, Stein, Saccocio,  
Reese, Colitz & Van Der Wall*

[75] Inventors: **John C. Bucher, Coral Springs; Shih T. Wu, Lighthouse Point, both of Fla.; Ta-Yao Tao, Taipei, Taiwan**

[57] **CLAIM**

[73] Assignee: **Chien Luen Industries Company, Ltd., Inc., Ft. Lauderdale, Fla.**

The ornamental design of a combined neon ceiling fan motor housing and support rod, as shown and described.

[\*\*] Term: **14 Years**

**DESCRIPTION**

[21] Appl. No.: **937,550**

FIG. 1 is a perspective view of the combined neon ceiling fan motor housing and support rod showing our new design;

[22] Filed: **Aug. 27, 1992**

[52] U.S. Cl. .... **D23/411; D23/377**

FIG. 2 is a bottom view thereof;

[58] Field of Search ..... **392/364; 362/96, 363, 362/216; 416/5; D23/377, 379, 385, 411; D26/81-86, 88, 59, 51, 72**

FIG. 3 is a top view thereof; and,

FIG. 4 is a front side view thereof, the other side views being substantially identical except for the opening between the neon tube ends.

[56] **References Cited**

**U.S. PATENT DOCUMENTS**

D. 324,565 3/1992 Fraser ..... D23/411  
5,028,206 7/1991 Kendregan et al. .... 416/5

The broken line showing of wires connected to the neon tube in FIGS. 2-4, is for illustrative purposes only and forms no part of the claimed design. The support rod is shown broken away at the bottom in FIGS. 1 and 4 to indicate indeterminate length.

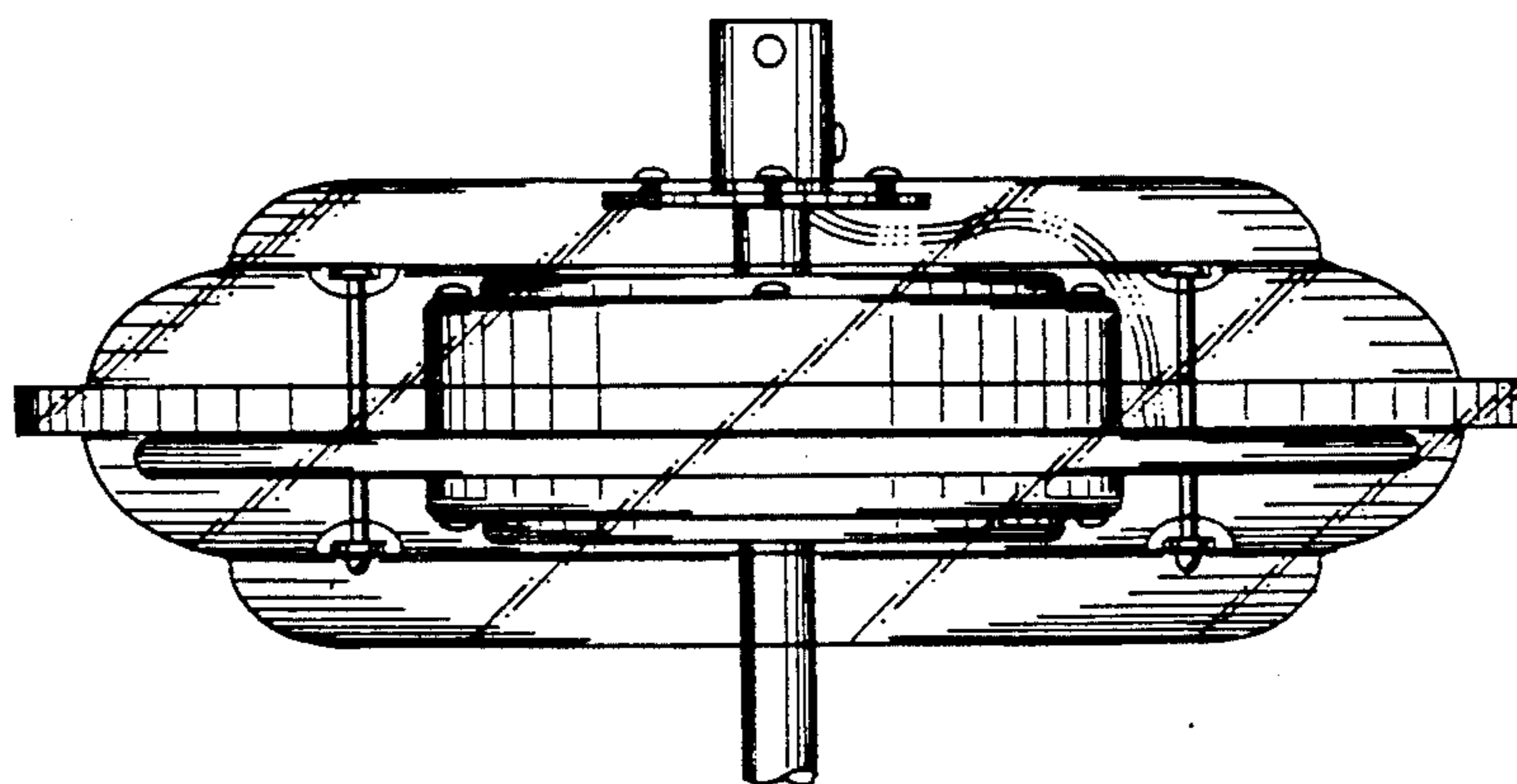
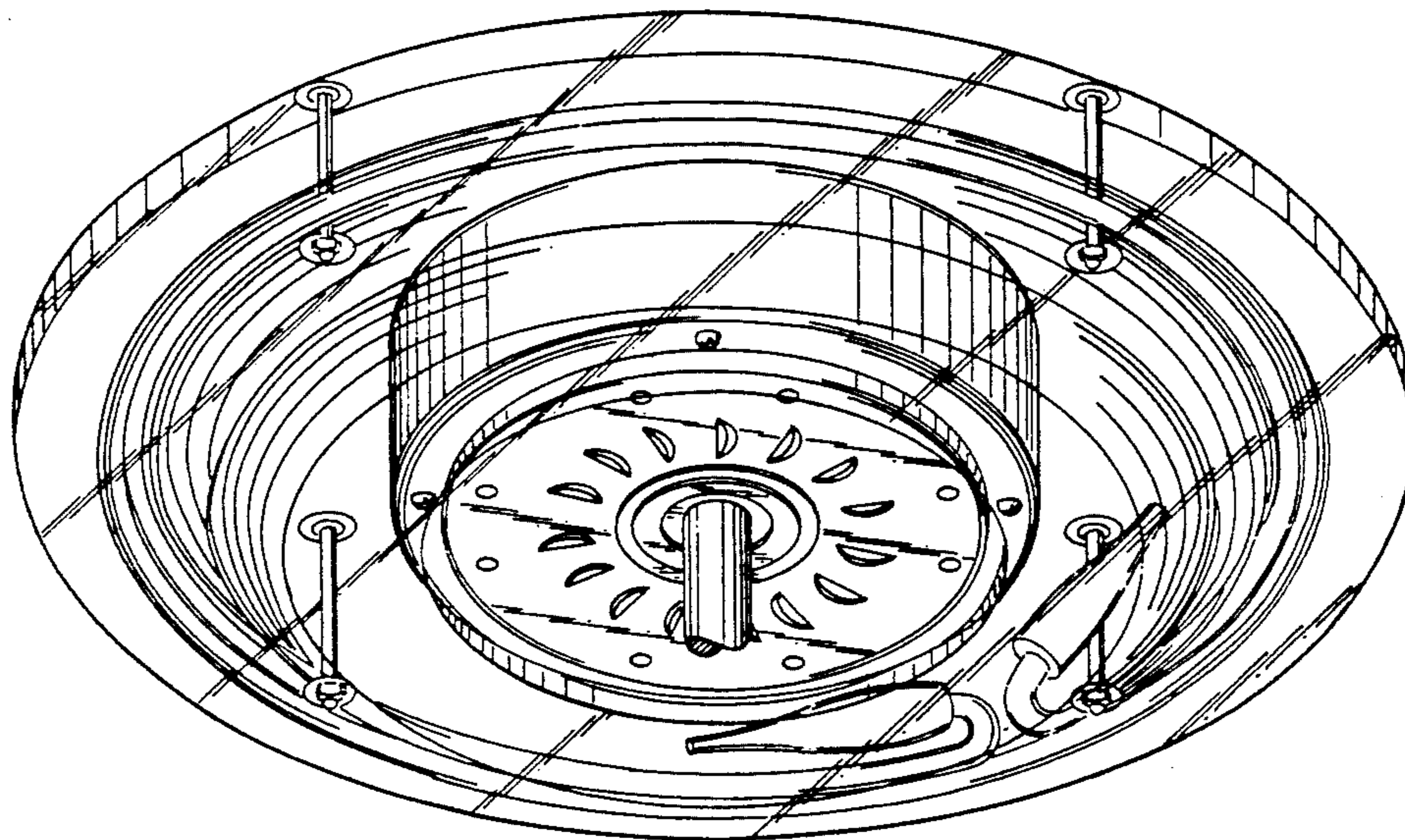


Fig. 1

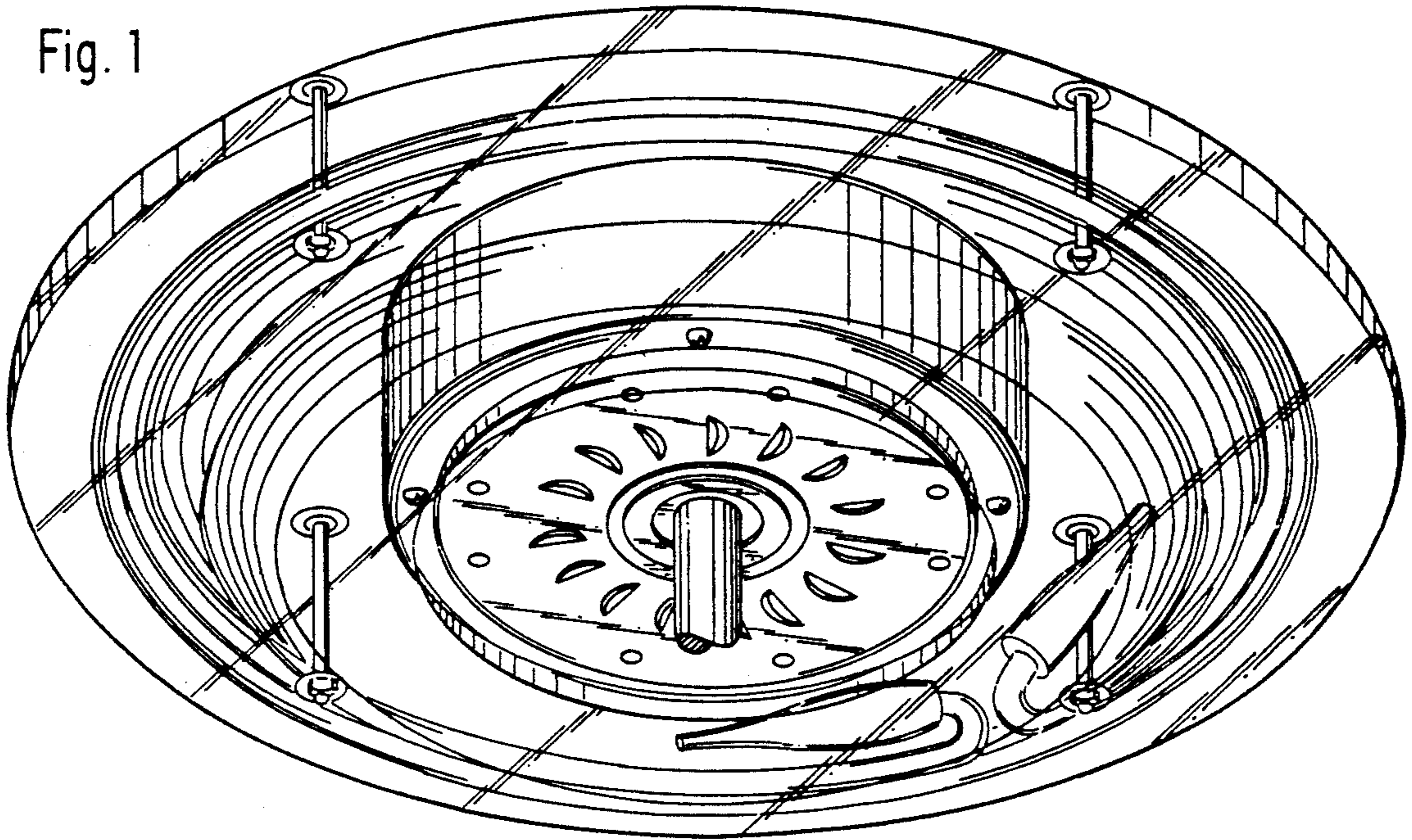


Fig. 2

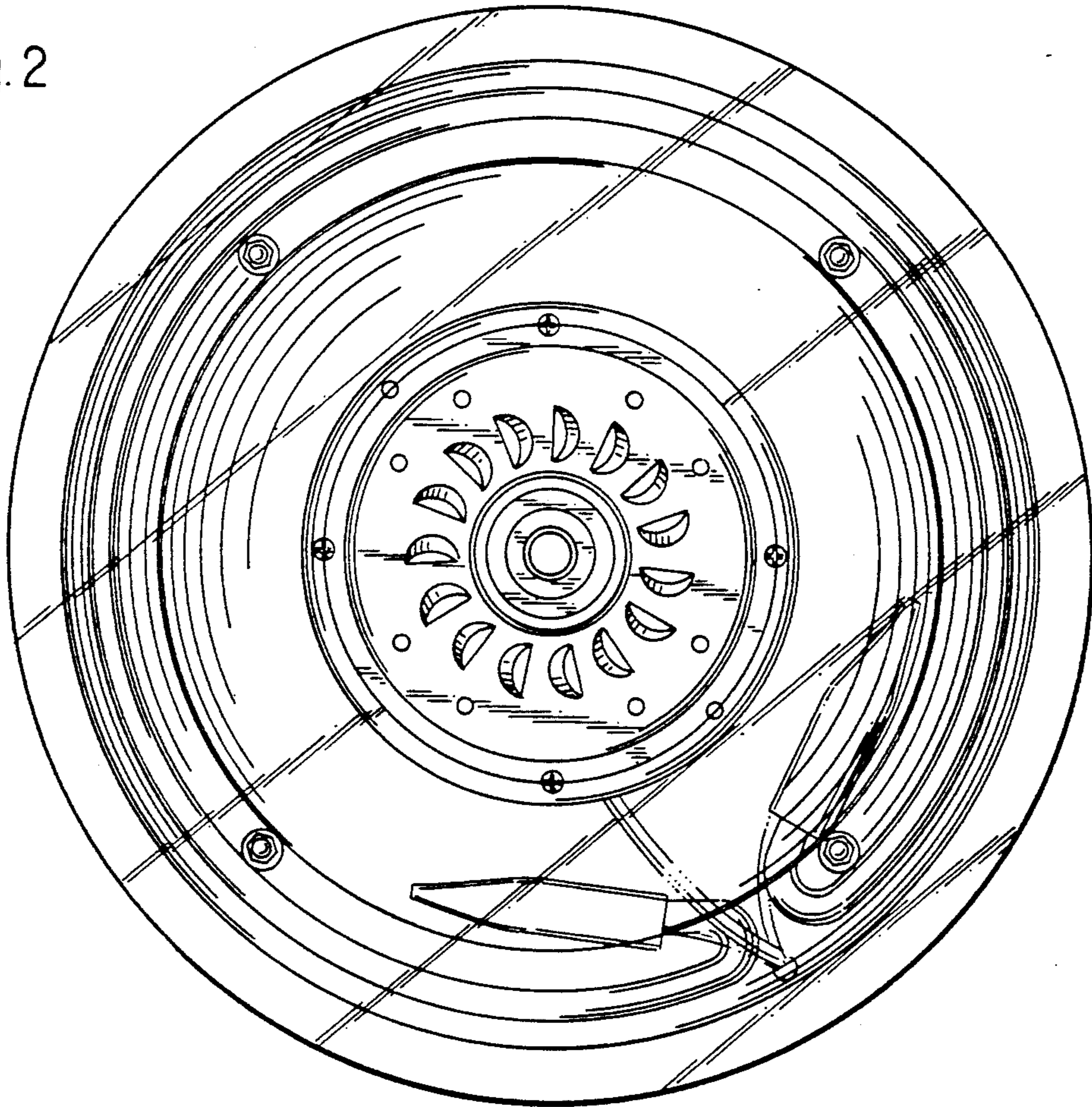


Fig. 3

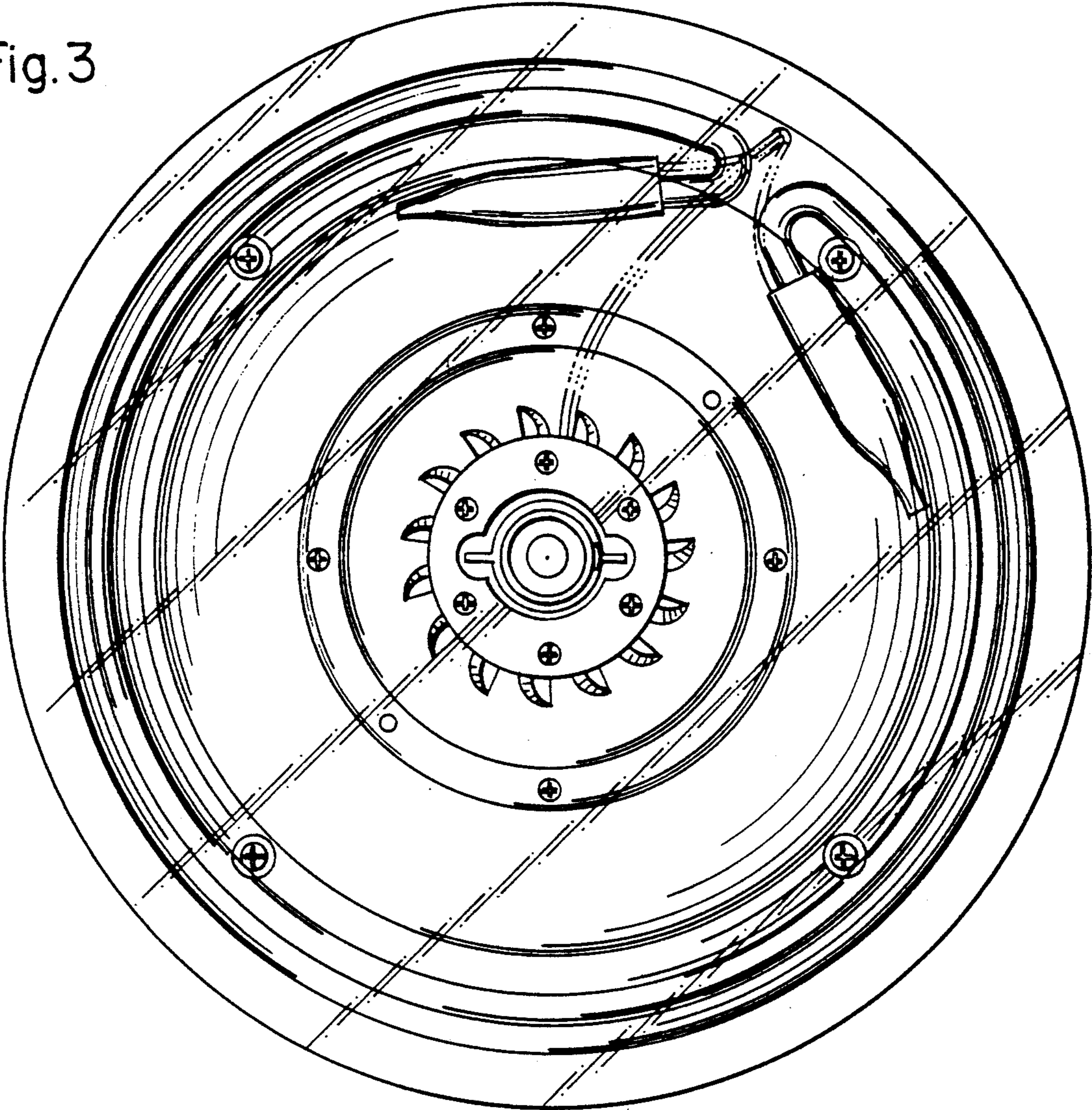


Fig. 4

