



US00D346209S

United States Patent [19]

[11] Patent Number: **Des. 346,209**

Holbrook

[45] Date of Patent: **** Apr. 19, 1994**

[54] **COMBINED CEILING FAN MOUNTING CANOPY, MOTOR AND SWITCH HOUSING AND BLADE IRONS UNIT**

Primary Examiner—Wallace R. Burke
Assistant Examiner—Lisa Lichtenstein
Attorney, Agent, or Firm—Charles H. Schwartz;
Ellsworth R. Roston

[75] Inventor: **Richard M. Holbrook, Redondo Beach, Calif.**

[57] **CLAIM**

[73] Assignee: **Casablanca Fan Company, City of Industry, Calif.**

The ornamental design for a combined ceiling fan mounting canopy, motor and switch housing and blade irons unit, as shown and described.

[**] Term: **14 Years**

DESCRIPTION

[21] Appl. No.: **4,029**

FIG. 1 is a perspective view of an electric ceiling fan showing my new design;

[22] Filed: **Jan. 25, 1993**

FIG. 2 is an enlarged side elevational view thereof;

[52] U.S. Cl. **D23/377; D23/379; D23/385; D23/411**

FIG. 3 is an enlarged bottom plan view thereof; and, FIG. 4 is an enlarged top plan view thereof.

[58] Field of Search **416/5; 392/364; D23/377, 379, 385, 411**

The broken line showing of environmental structure in FIG. 1 is for illustrative purposes only and forms no part of the claim design.

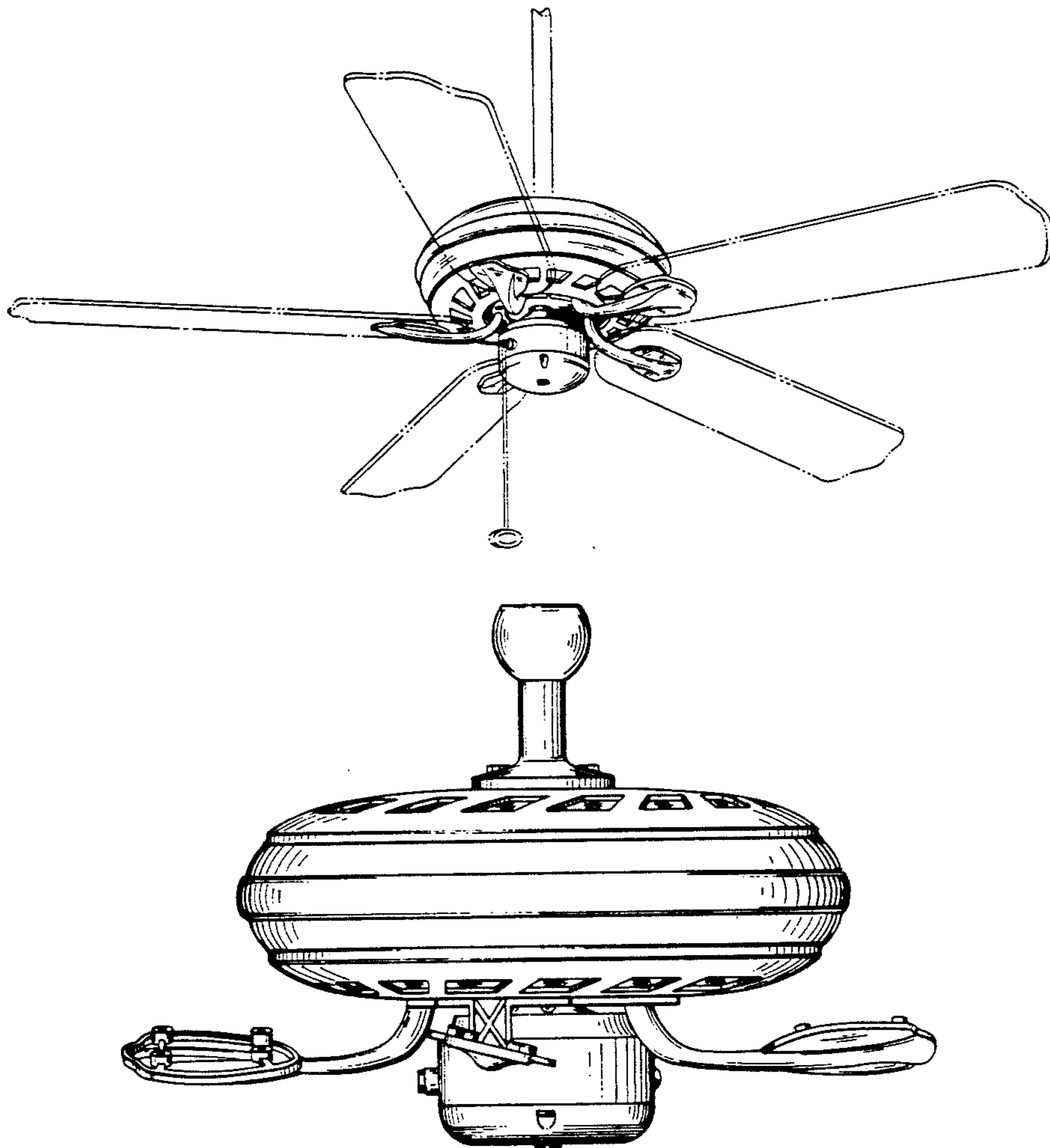
[56] **References Cited**

Two of the blade iron have been shown broken away in FIGS. 3 and 4, for ease of illustration.

U.S. PATENT DOCUMENTS

The screen fragmentarily shown in FIGS. 3 and 4, is understood to extend uniformly throughout the areas represented.

D. 309,010	7/1990	Little	D23/411
D. 324,100	2/1992	Holbrook	D23/411
D. 329,494	9/1992	Holbrook	D23/377



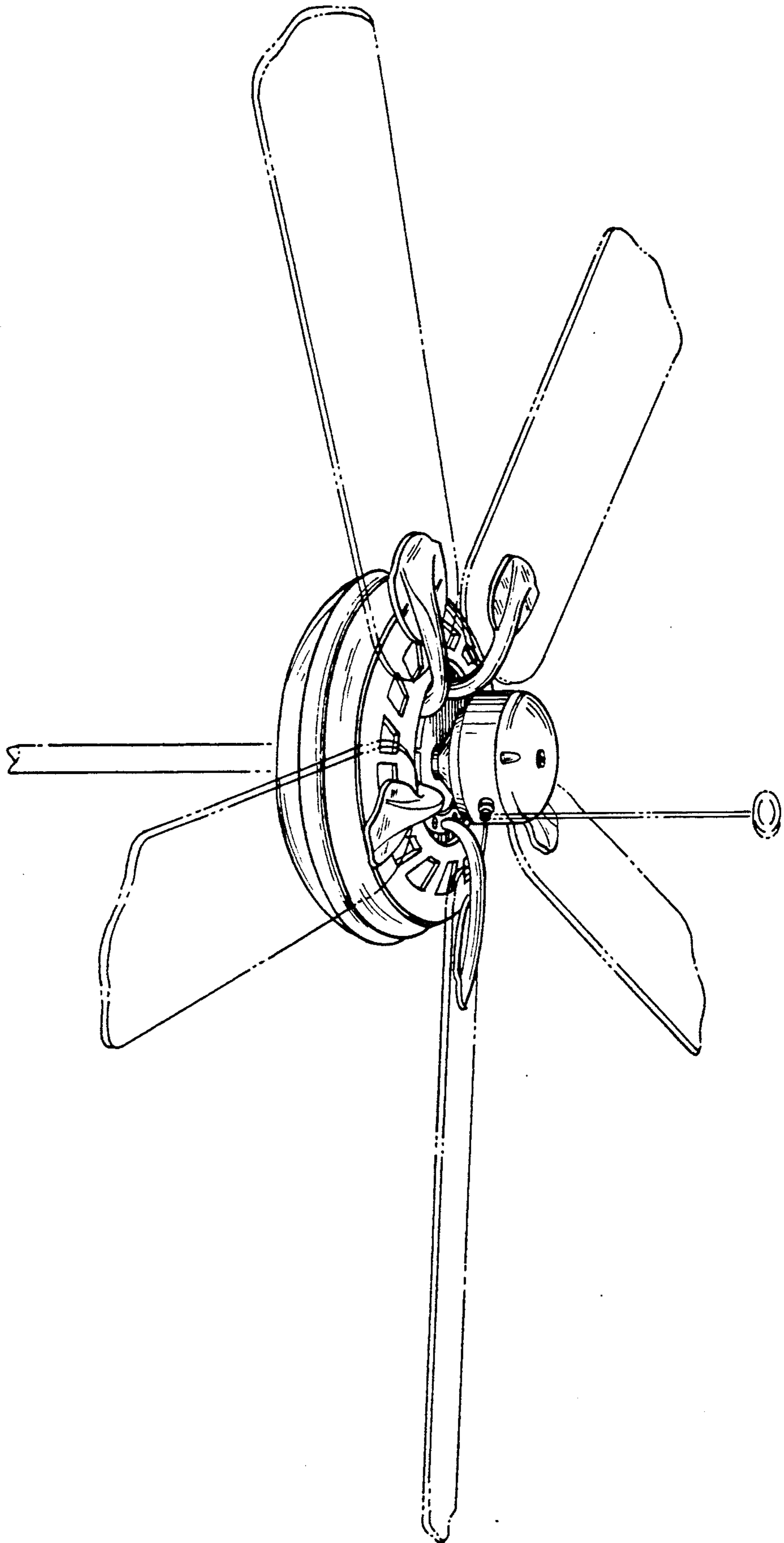


FIG. 1

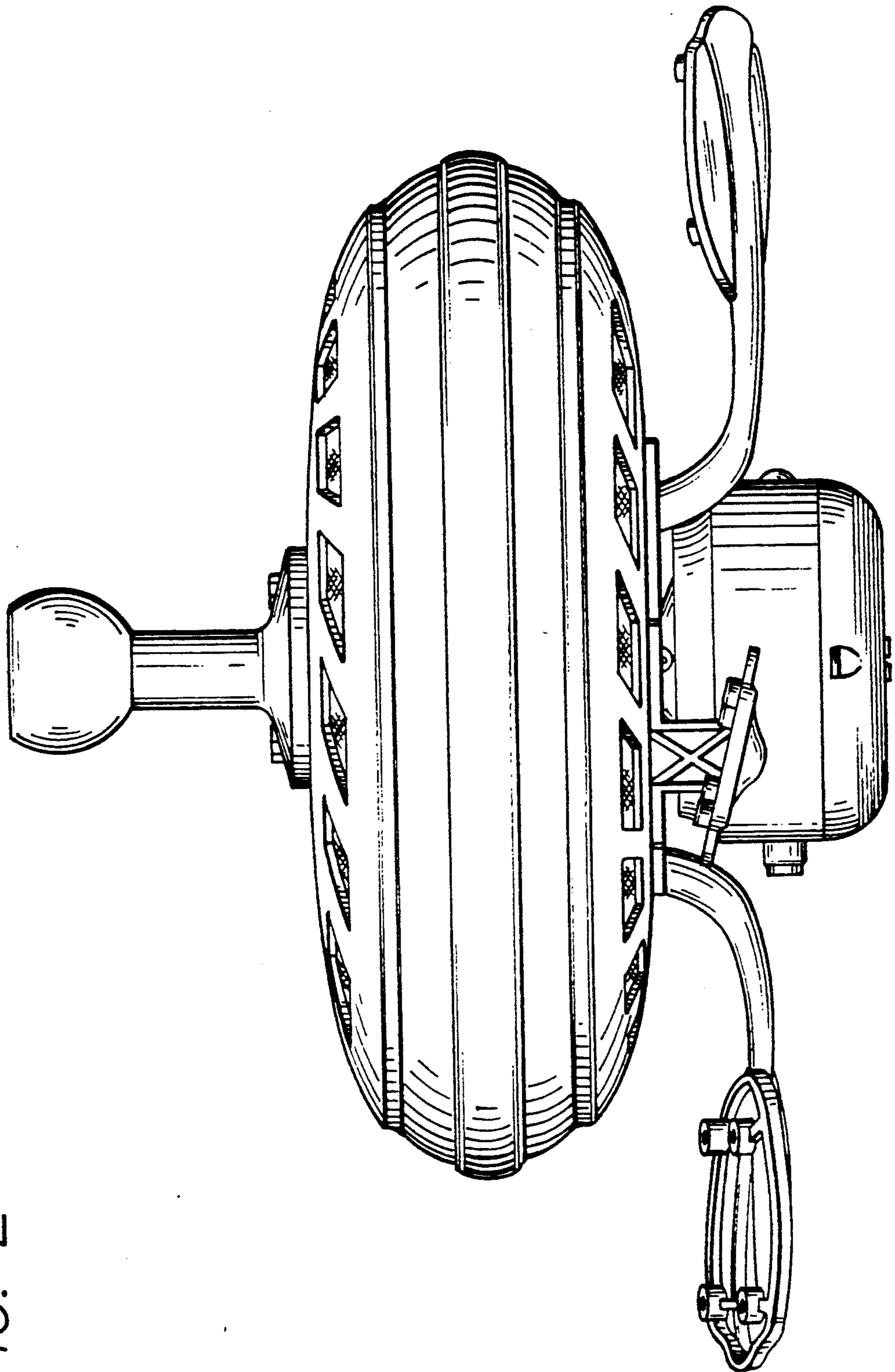


FIG. 2

FIG. 3

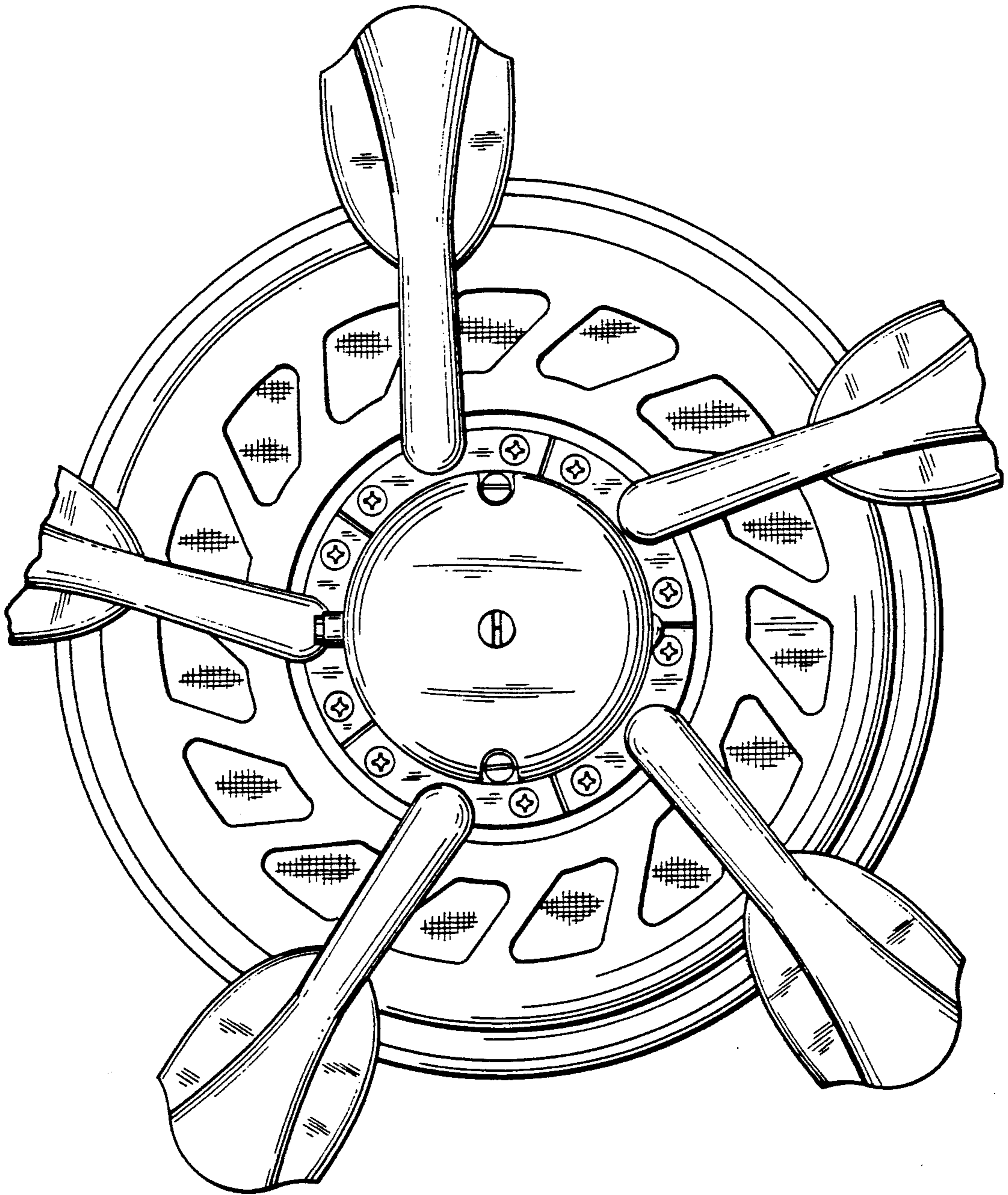


FIG. 4

