



US00D346206S

United States Patent [19]

[11] Patent Number: **Des. 346,206**

Crossley et al.

[45] Date of Patent: **** Apr. 19, 1994**

[54] **TOILET SEAT FOR A CHILD**

[75] Inventors: **David W. Crossley**, Woonsocket, R.I.; **Michael S. Bernstein**, Natick; **Michael I. Lerner**, Boston, both of Mass.

[73] Assignee: **Safety 1st, Inc.**, Chestnut Hill, Mass.

[**] Term: **14 Years**

[21] Appl. No.: **908,024**

[22] Filed: **Jul. 2, 1992**

[52] U.S. Cl. **D23/296**

[58] Field of Search 4/449, 476, 479, 483;
D23/295-301, 309-312

D. 188,454	7/1960	Zapolski	D23/296
D. 197,949	4/1964	Forsman	D23/296
D. 202,692	11/1965	Forsman	D23/296
D. 231,830	6/1974	Panicci	D23/296
D. 231,832	6/1974	Panicci	D23/296
D. 260,432	8/1981	Helkama-Ragard	D23/296
D. 320,528	10/1991	Bernstein	D6/333
2,662,229	12/1953	Wenkstern	4/476
2,719,305	10/1955	La Hue	4/483
3,343,179	9/1967	Sellars, Jr. et al.	4/476

Primary Examiner—James R. Largen
Attorney, Agent, or Firm—Wolf, Greenfield & Sacks

[57] **CLAIM**

The ornamental design for a toilet seat for a child, as shown and described.

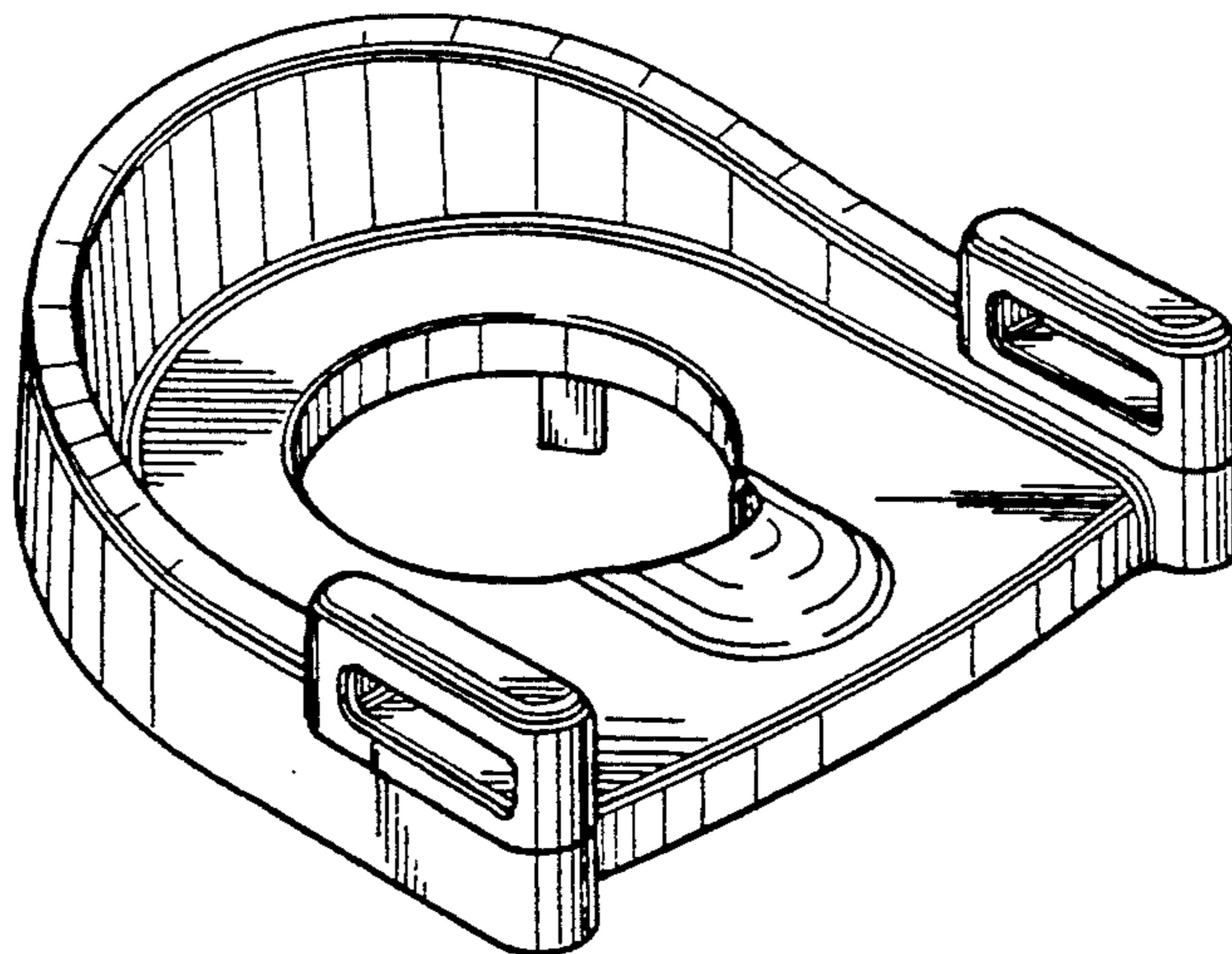
[56] **References Cited**

U.S. PATENT DOCUMENTS

D. 93,774	11/1934	Kroll et al.	D23/296
D. 144,771	5/1946	Engman et al.	D23/296
D. 155,101	9/1949	Muller	D23/296
D. 157,111	1/1950	Wenkstern	D23/296
D. 163,556	6/1951	Baldanza	D23/296
D. 168,463	12/1952	La Hue	D23/296
D. 178,940	10/1956	Waite	D23/296
D. 184,408	2/1959	Pearl	D23/296

DESCRIPTION

FIG. 1 is a top perspective view of a toilet seat for a child showing our new design;
FIG. 2 is front elevational view thereof;
FIG. 3 is a left side elevational view thereof, the right side being a mirror image of the left side;
FIG. 4 is a rear elevational view thereof;
FIG. 5 is a top plan view thereof; and,
FIG. 6 is a bottom plan view thereof.



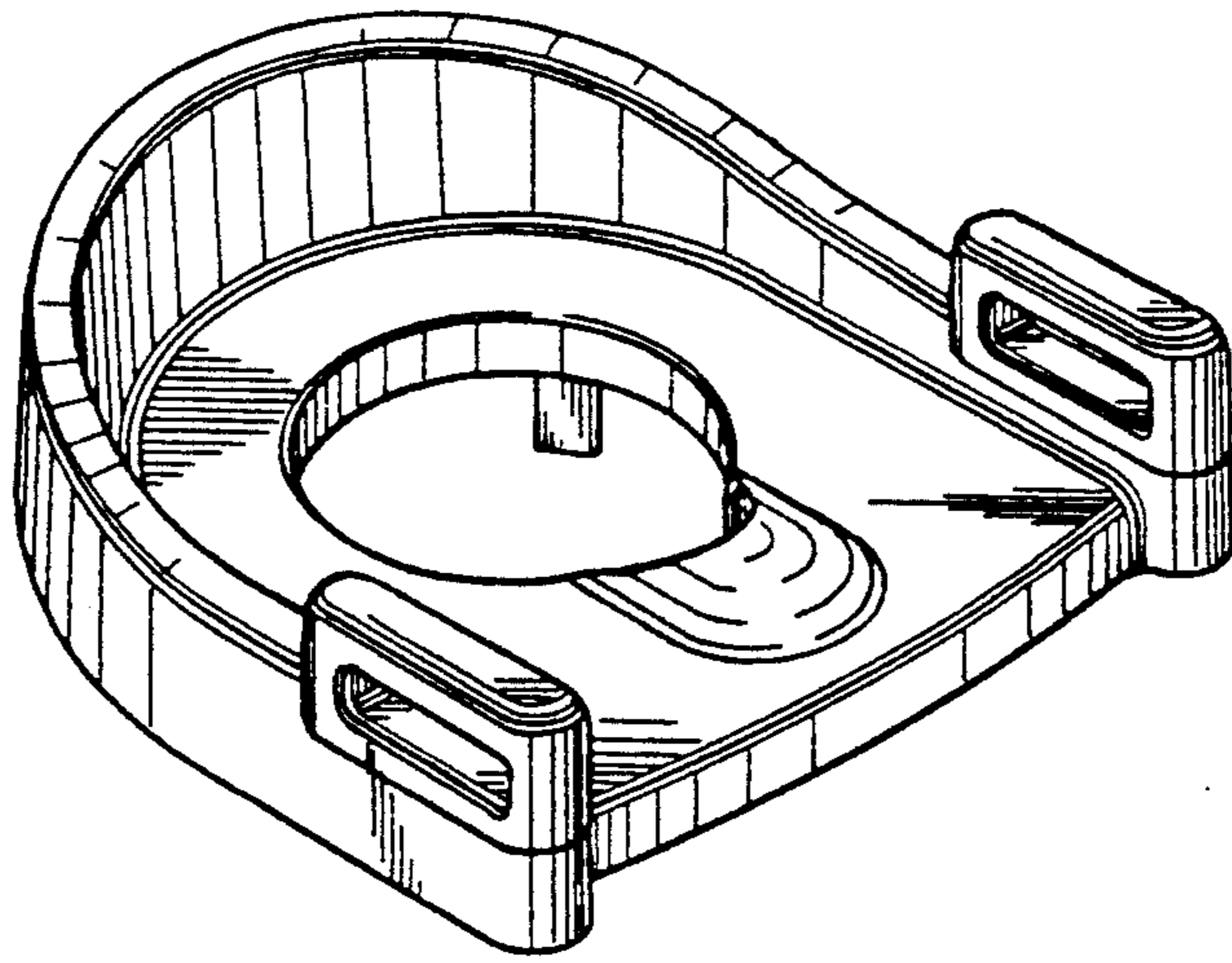


Fig. 1

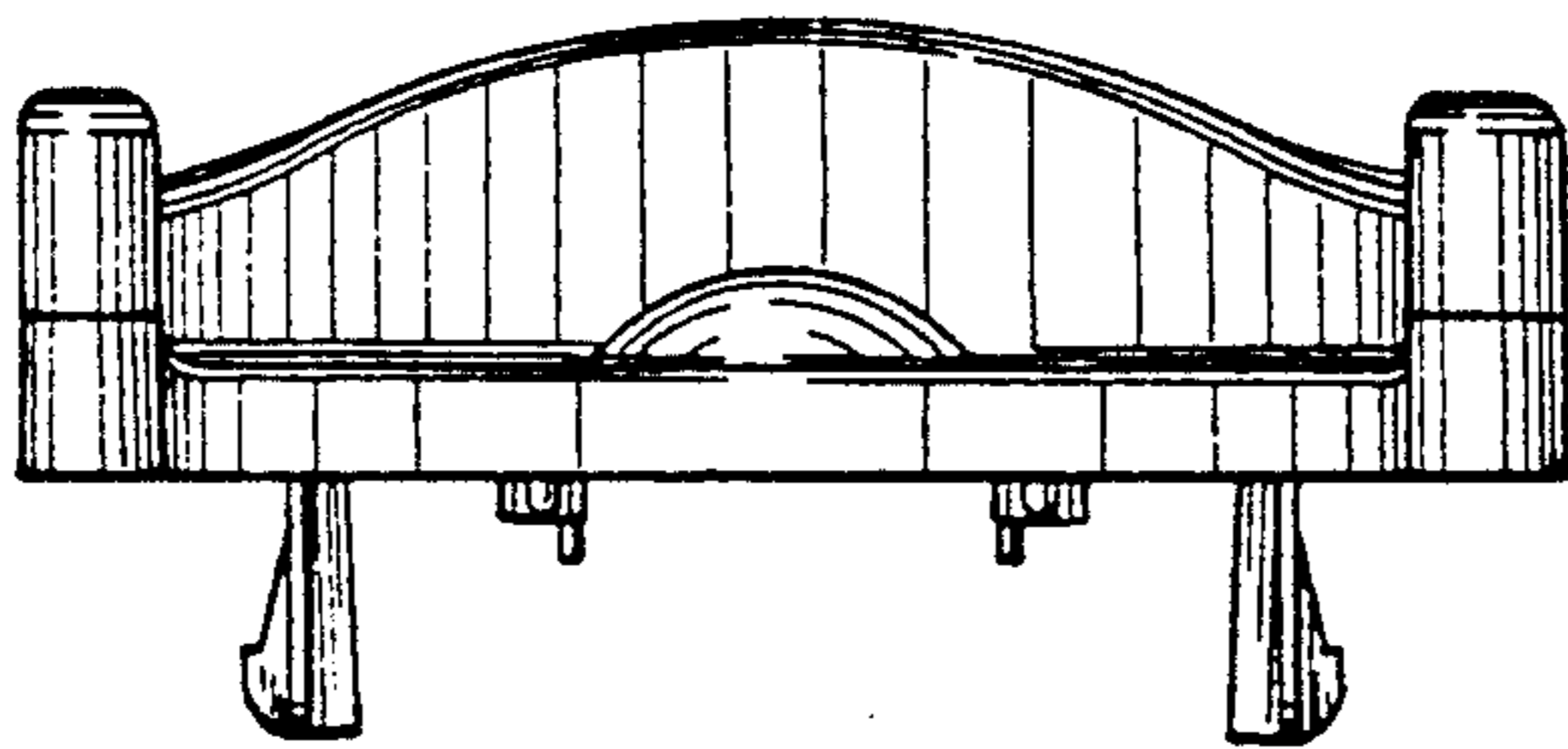


Fig. 2

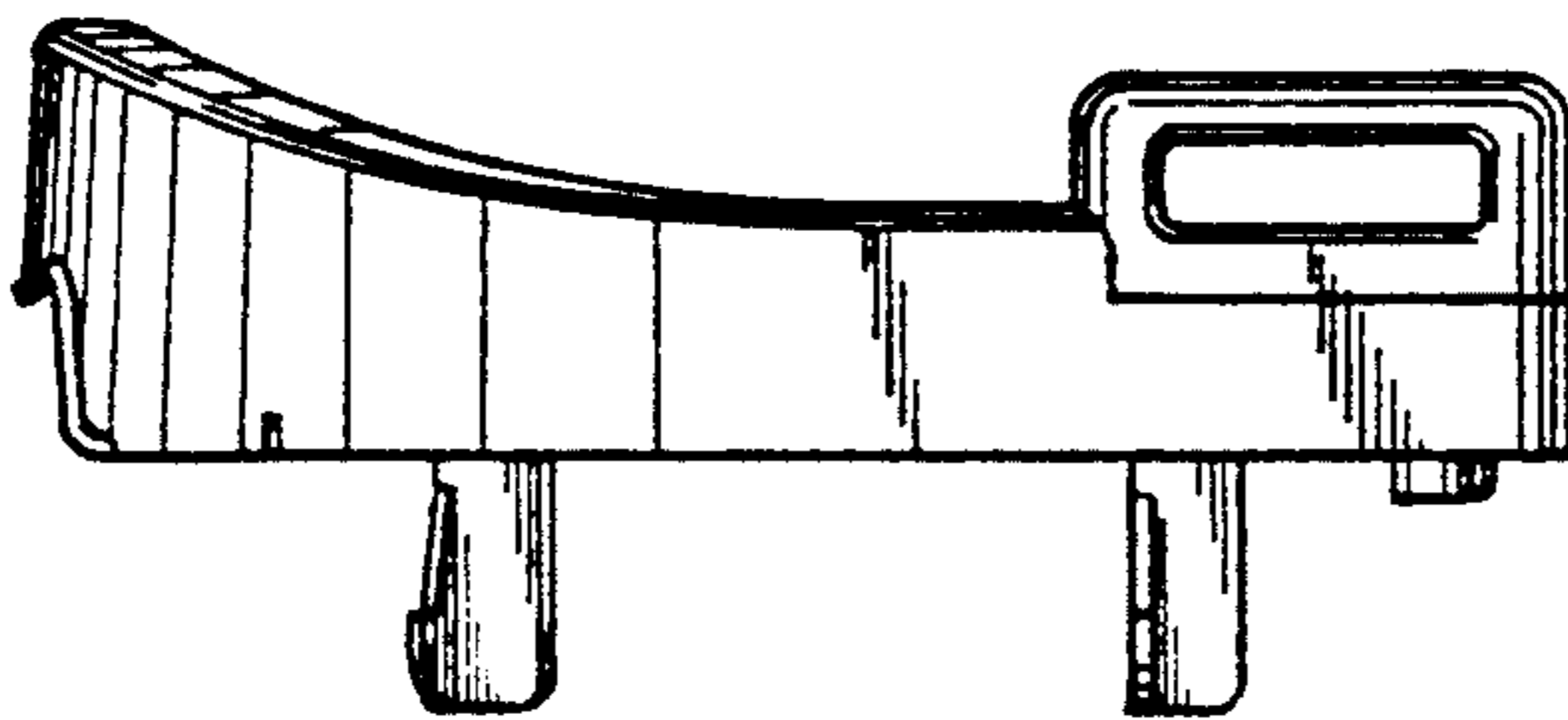


Fig. 3

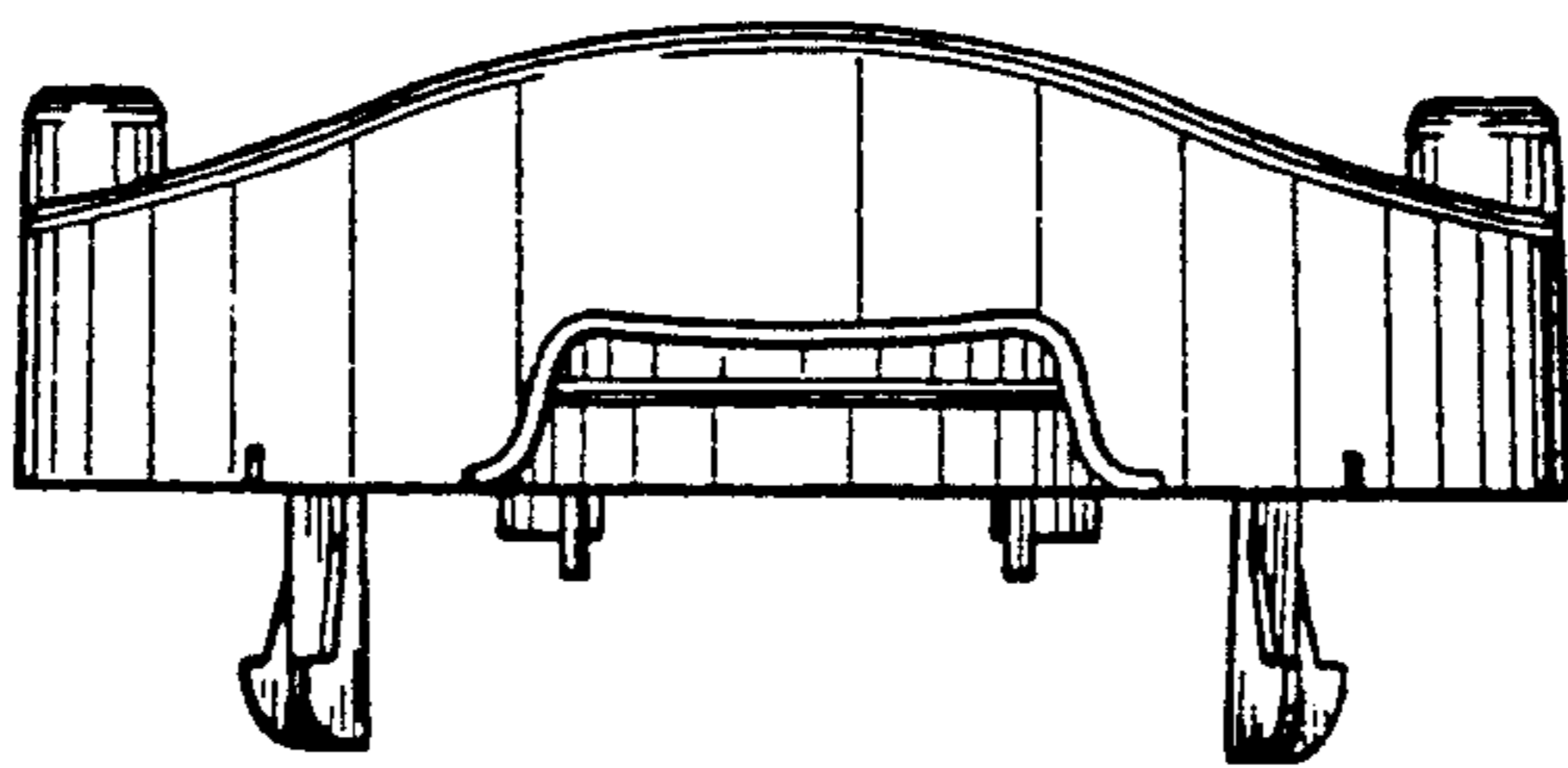


Fig. 4

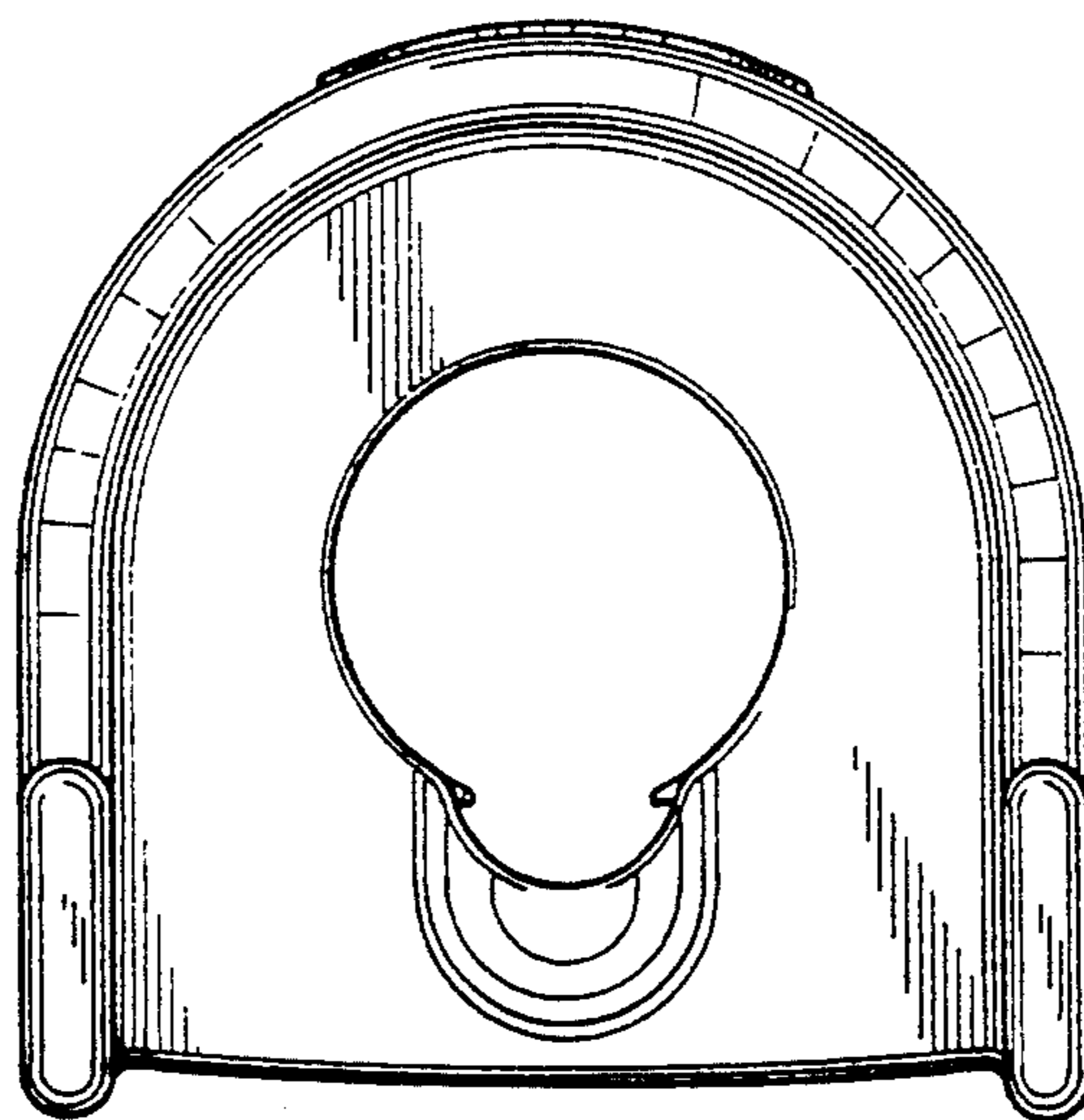


Fig. 5

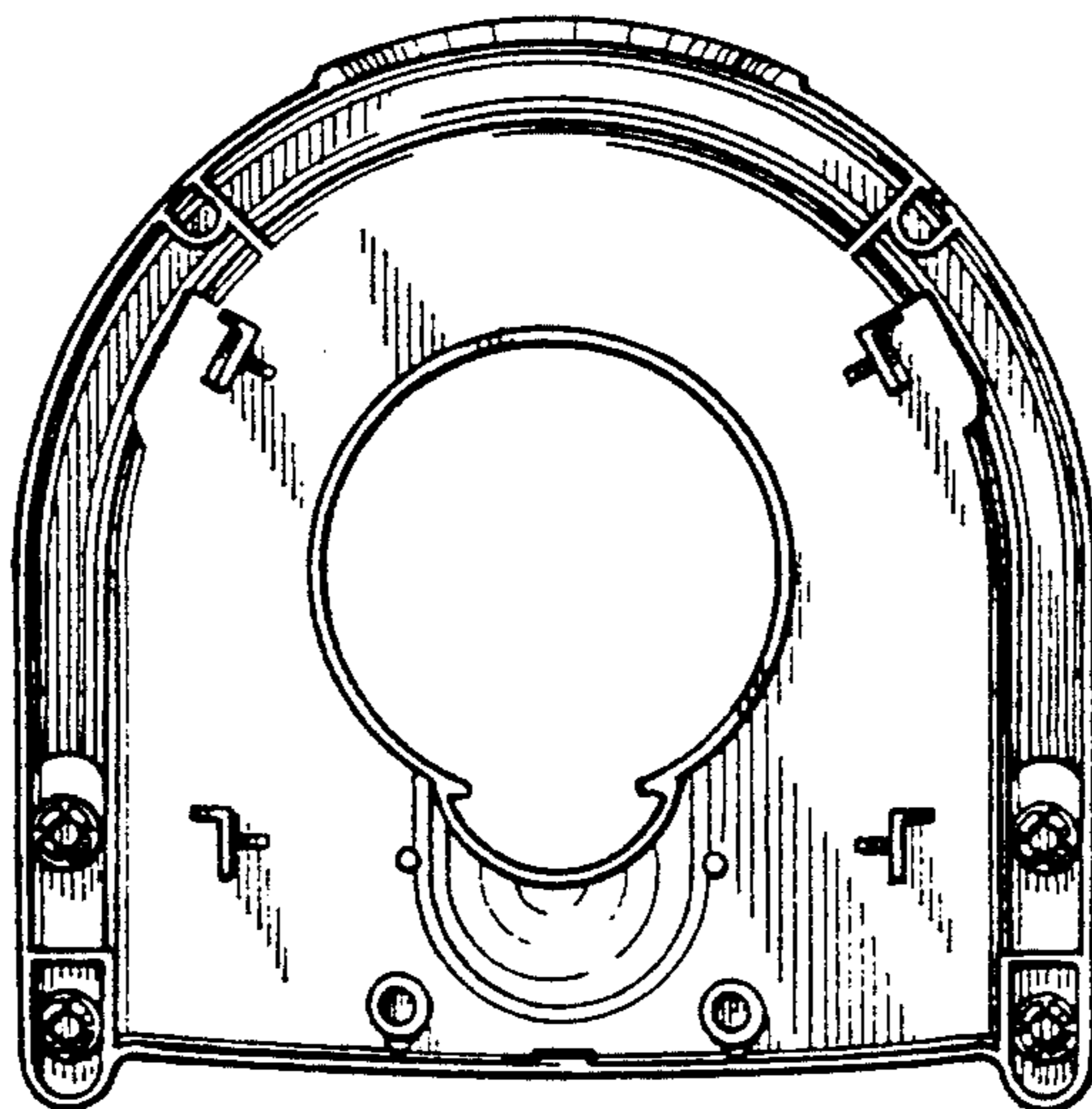


Fig. 6