



US00D346205S

United States Patent [19]

[11] Patent Number: **Des. 346,205**

Sauter et al.

[45] Date of Patent: **** Apr. 19, 1994**

[54] **HANDLE FOR A PLUMBING FIXTURE**

[75] Inventors: **Bruce M. Sauter, Elgin; Kevin G. Short, Midlothian, both of Ill.**

[73] Assignee: **Sterling Plumbing Group, Inc., Rolling Meadows, Ill.**

[**] Term: **14 Years**

[21] Appl. No.: **930,868**

[22] Filed: **Aug. 14, 1992**

[52] U.S. Cl. **D23/252; D8/308**

[58] Field of Search **D8/300, 307-312, D8/319, 320; 16/110 R, 118, 121; D23/238-243, 250-254**

D. 140,556 3/1945 Stanitz D23/252
D. 320,335 10/1991 Bergtson D8/308

OTHER PUBLICATIONS

Undated ad showing model FT-410-PL Renaissance handles (admitted prior art).
Kohler ad, admitted prior art, showing Model K15242 handles.
Undated ad of an unknown company showing handles LK-4381-F and LK-4371-F (admitted prior art).
Picture of single-handle Dorn Bracht lavatory faucet taken from May/June 1992 issue of Custom Builder.

Primary Examiner—James R. Largen
Attorney, Agent, or Firm—Quarles & Brady

[56] **References Cited**

U.S. PATENT DOCUMENTS

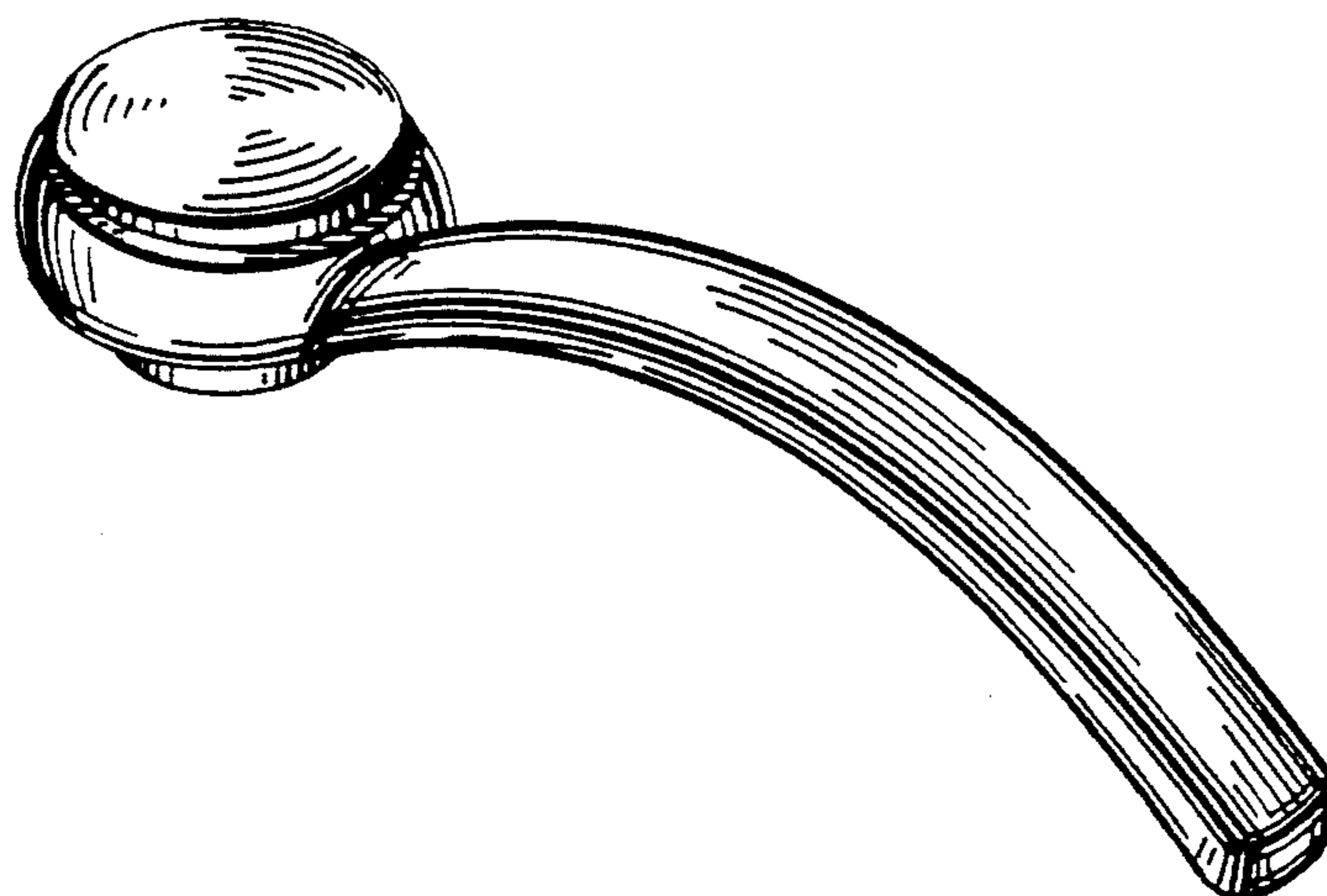
D. 76,619	5/1929	Frankenberger	D23/243
D. 81,026	4/1930	Schnell	D8/308
D. 82,968	1/1931	Bales	D8/308 X
D. 84,756	7/1931	Ruppel	D8/308
D. 84,769	7/1931	Uhlmann	D8/308
D. 85,770	12/1931	Ruppel	D8/308
D. 85,844	12/1931	Schnell	D8/308
D. 86,641	3/1932	Schnell et al.	D8/308
D. 87,328	7/1932	Brotz	D23/243
D. 87,771	9/1932	Wolters	D8/308
D. 87,830	9/1932	Ferguson	D23/252
D. 89,436	3/1933	Carlson	D8/308
D. 89,452	3/1933	Schnell	D8/308
D. 99,251	4/1936	Tjaarda	D23/252
D. 100,904	8/1936	Lemm	D8/308
D. 106,319	10/1937	Morgan	D23/243
D. 108,067	1/1938	Clemmons	D23/252
D. 115,811	7/1939	Reinecke	D23/241
D. 139,354	11/1944	Trombley	D23/241

[57] **CLAIM**

The ornamental design for a handle for a plumbing fixture, as shown and described.

DESCRIPTION

FIG. 1 is a perspective view taken from the top, front and left side of a handle for a plumbing fixture showing our new design;
FIG. 2 is a left side elevational view thereof, the right side elevational view being the mirror image of the left side;
FIG. 3 is a top plan view thereof;
FIG. 4 is a bottom plan view thereof;
FIG. 5 is a front elevational view thereof;
FIG. 6 is a rear elevational view thereof; and,
FIG. 7 is an enlarged cross sectional view taken on line 7-7 of FIG. 2.
The fragmentary broken line representations of a handle skirt in FIG. 2 is for the purpose of illustration only and form no part of the claimed design.



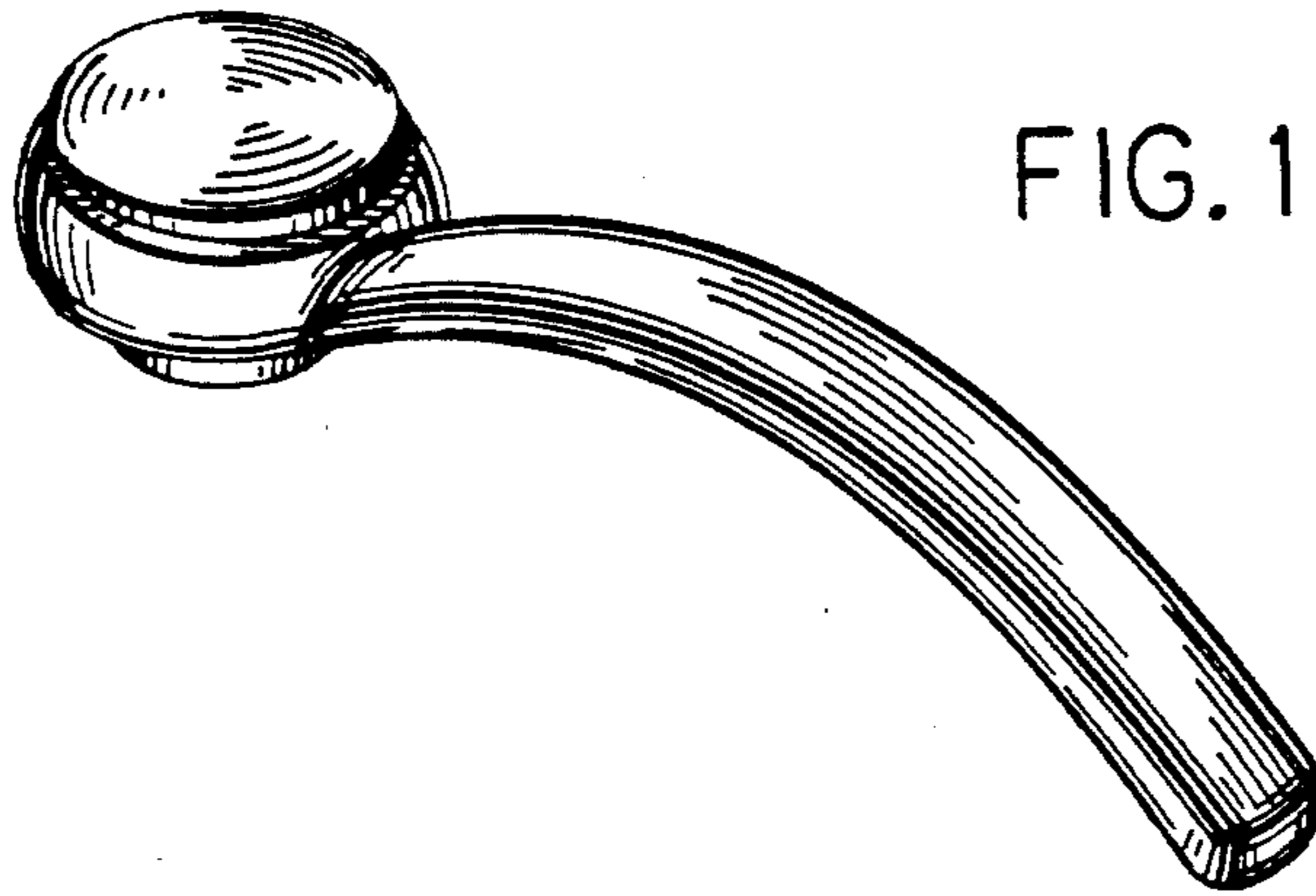


FIG. 1

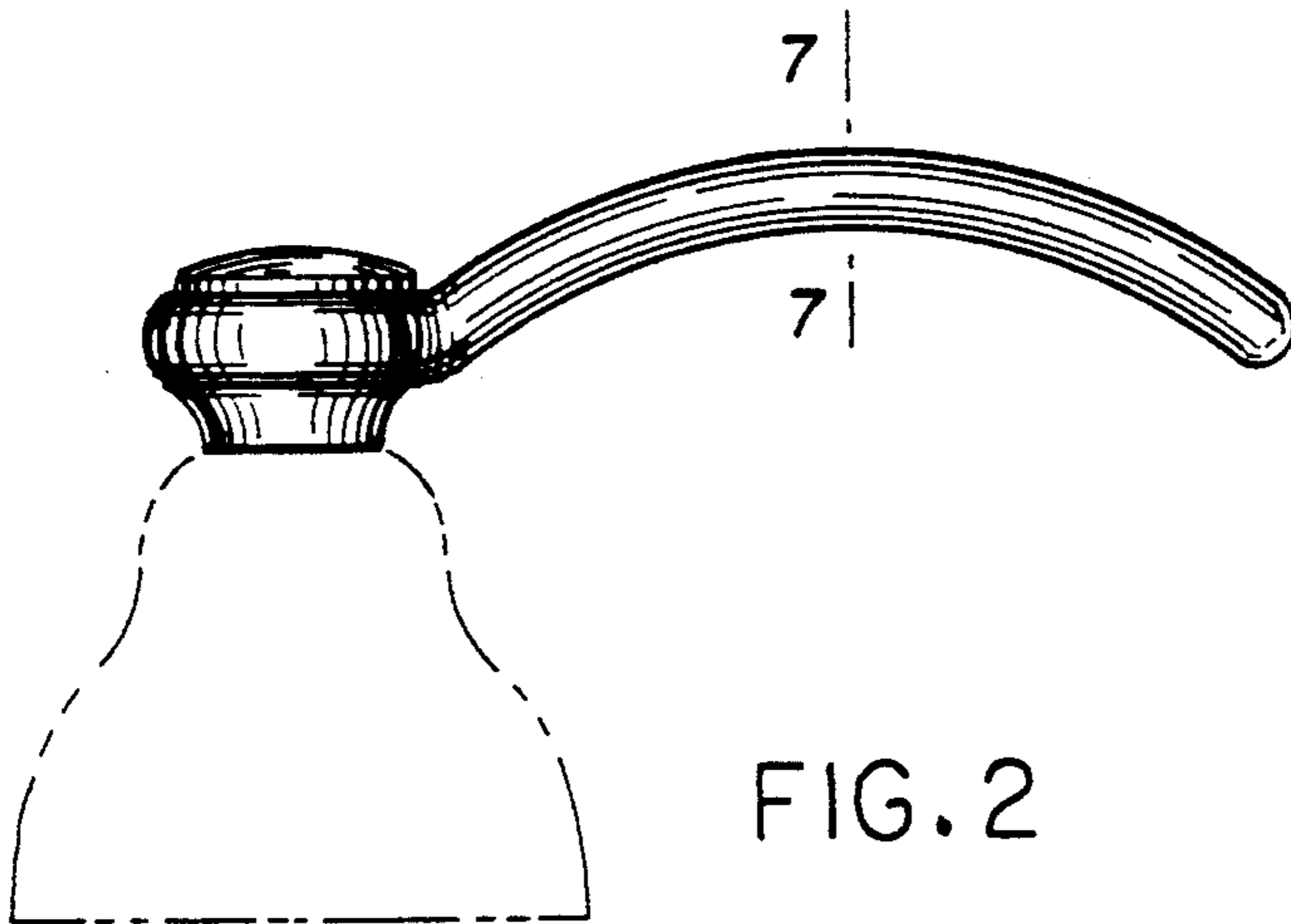


FIG. 2

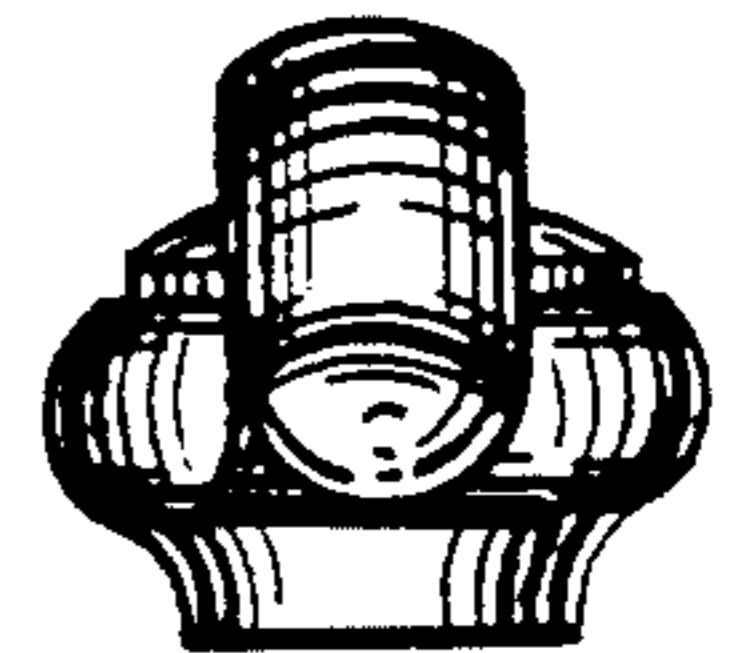


FIG. 5



FIG. 3

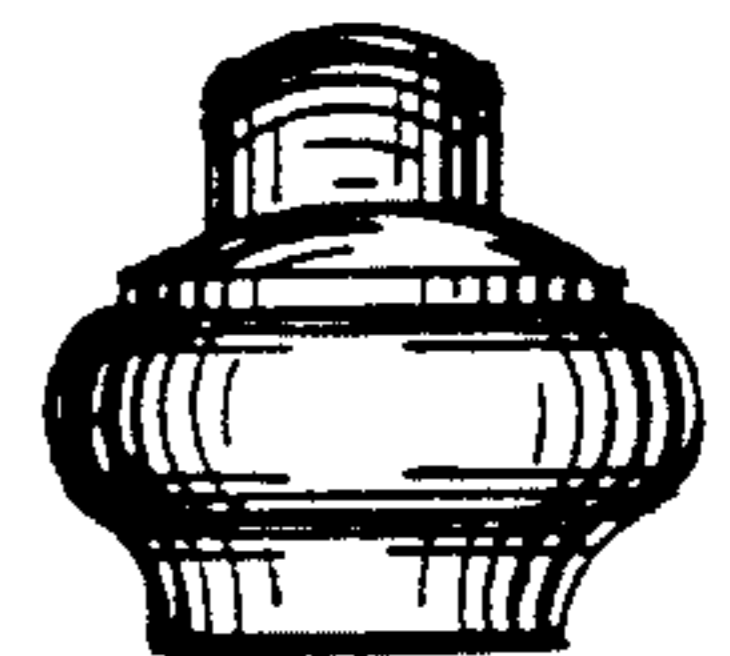


FIG. 6

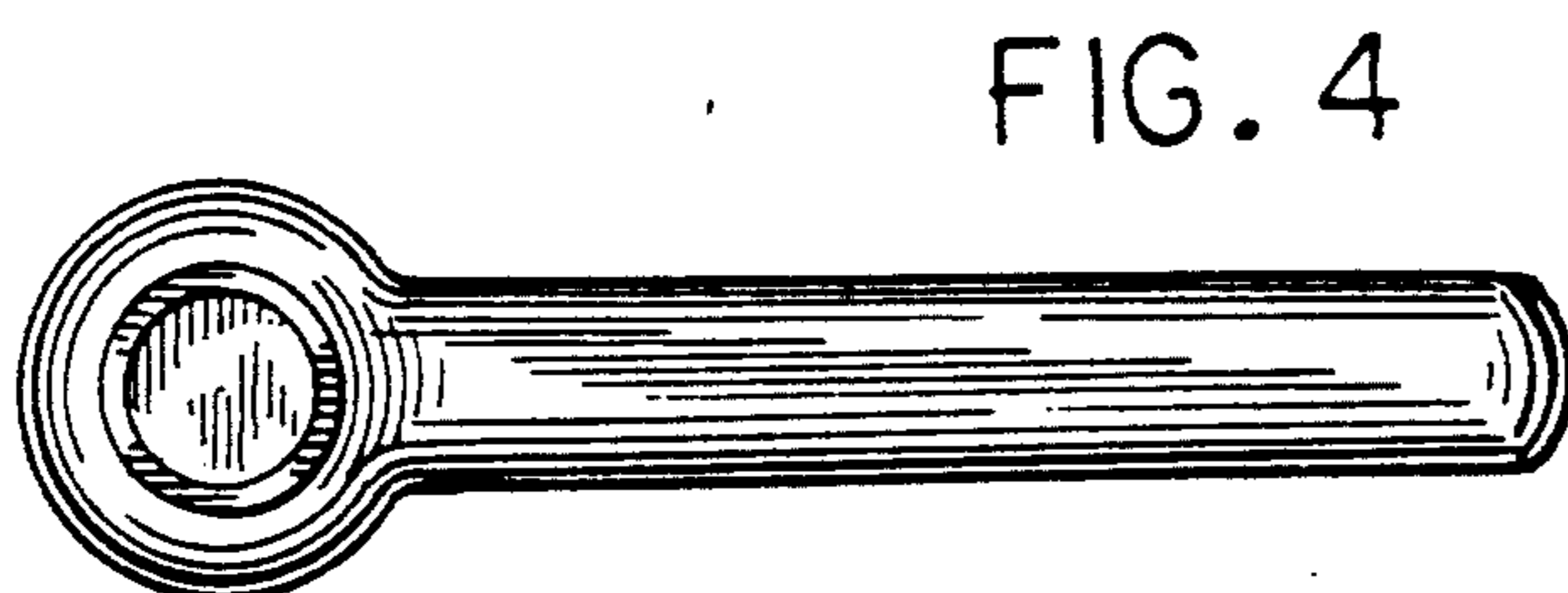


FIG. 4

FIG. 7

