



US00D346203S

United States Patent [19]

[11] Patent Number: **Des. 346,203**

Morrison

[45] Date of Patent: **** Apr. 19, 1994**

[54] AIRBRUSH

[75] Inventor: **Adam P. Morrison, Rockford, Ill.**

[73] Assignee: **The Testor Corporation, Rockford, Ill.**

[**] Term: **14 Years**

[21] Appl. No.: **917,478**

[22] Filed: **Jul. 20, 1992**

[52] U.S. Cl. **D23/225**

[58] Field of Search **239/301, 332, 373, 394, 239/532, 554, 556, DIG. 14, 301, 318; D23/213, 223-229**

[56] **References Cited**

U.S. PATENT DOCUMENTS

D. 187,439	3/1960	Ellis	D23/225
D. 242,707	12/1976	Phillips	D23/226
1,430,506	9/1922	Holton	239/301

Primary Examiner—Susan J. Lucas
Assistant Examiner—Robin Taylor
Attorney, Agent, or Firm—Fay, Sharpe, Beall, Fagan, Minnich & McKee

[57] **CLAIM**

The ornamental design for an airbrush, as shown and described.

DESCRIPTION

FIG. 1 is a perspective view of an airbrush showing my new design;

FIG. 2 is a side elevation taken from the right of FIG. 1;

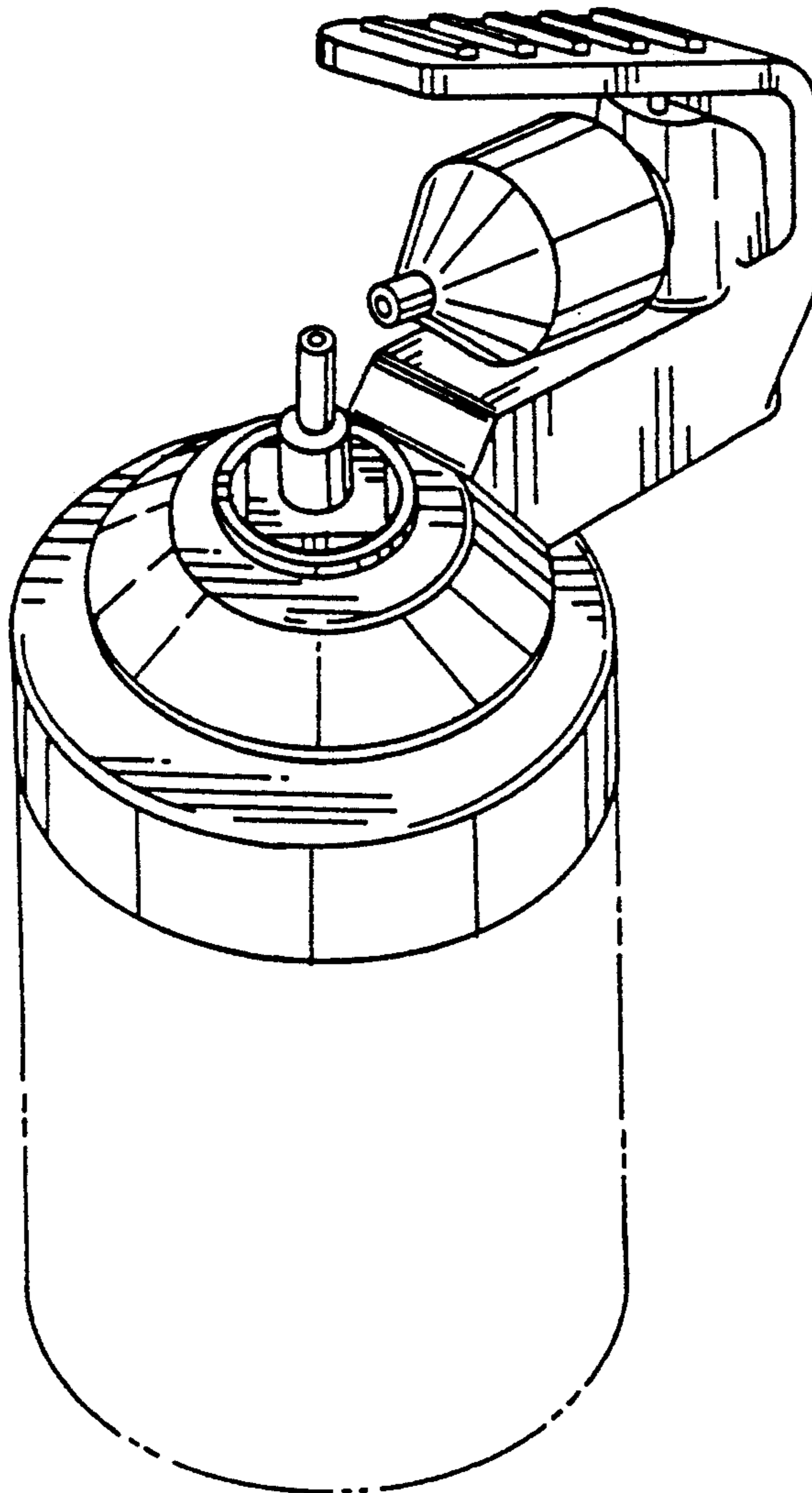
FIG. 3 is a front elevation;

FIG. 4 is a rear elevation;

FIG. 5 is a top plan view; and,

FIG. 6 is a bottom plane view.

The broken line showing of a container is for illustrative purposes only and forms no part of the claimed design.



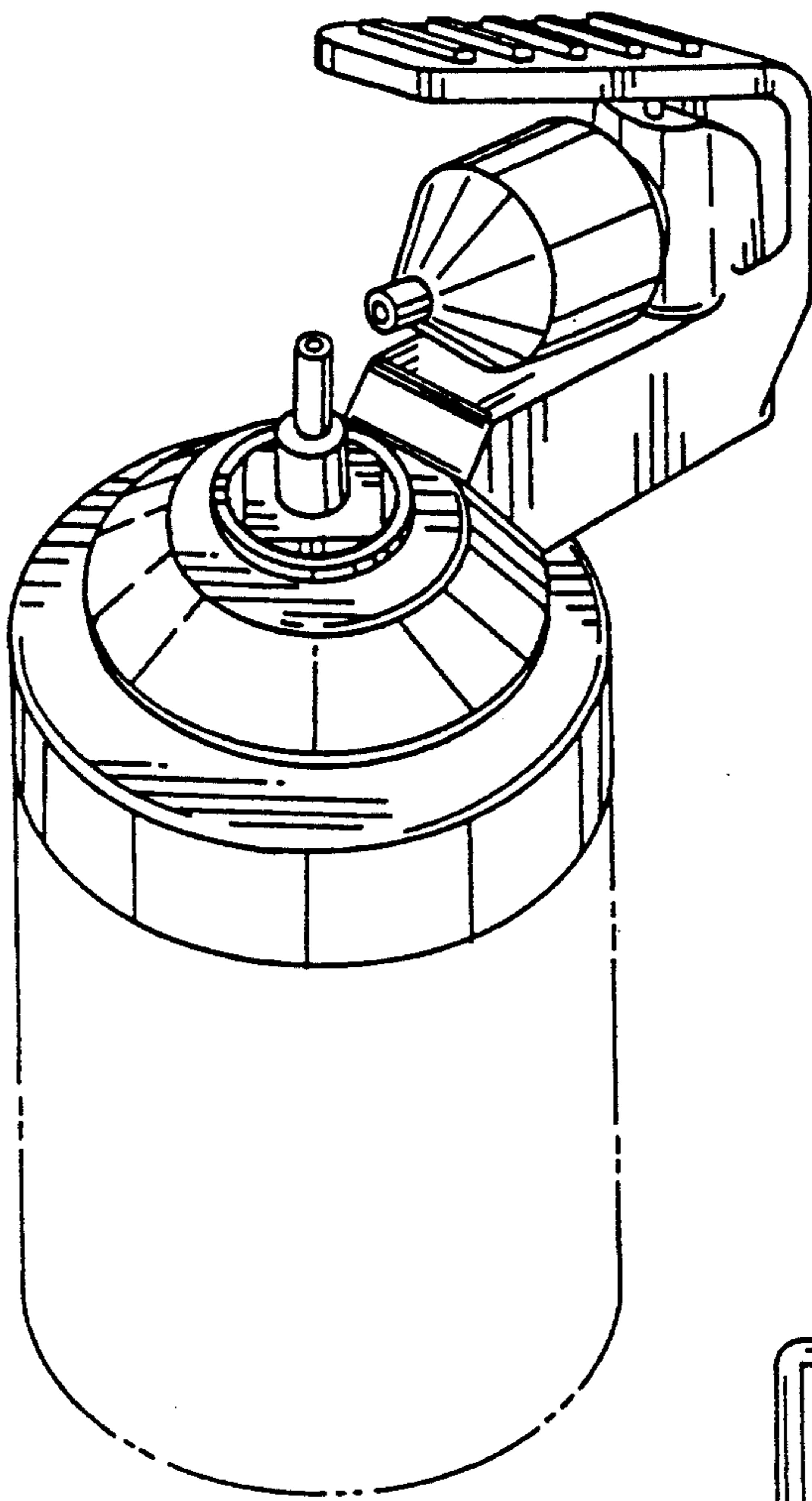


FIG. 1

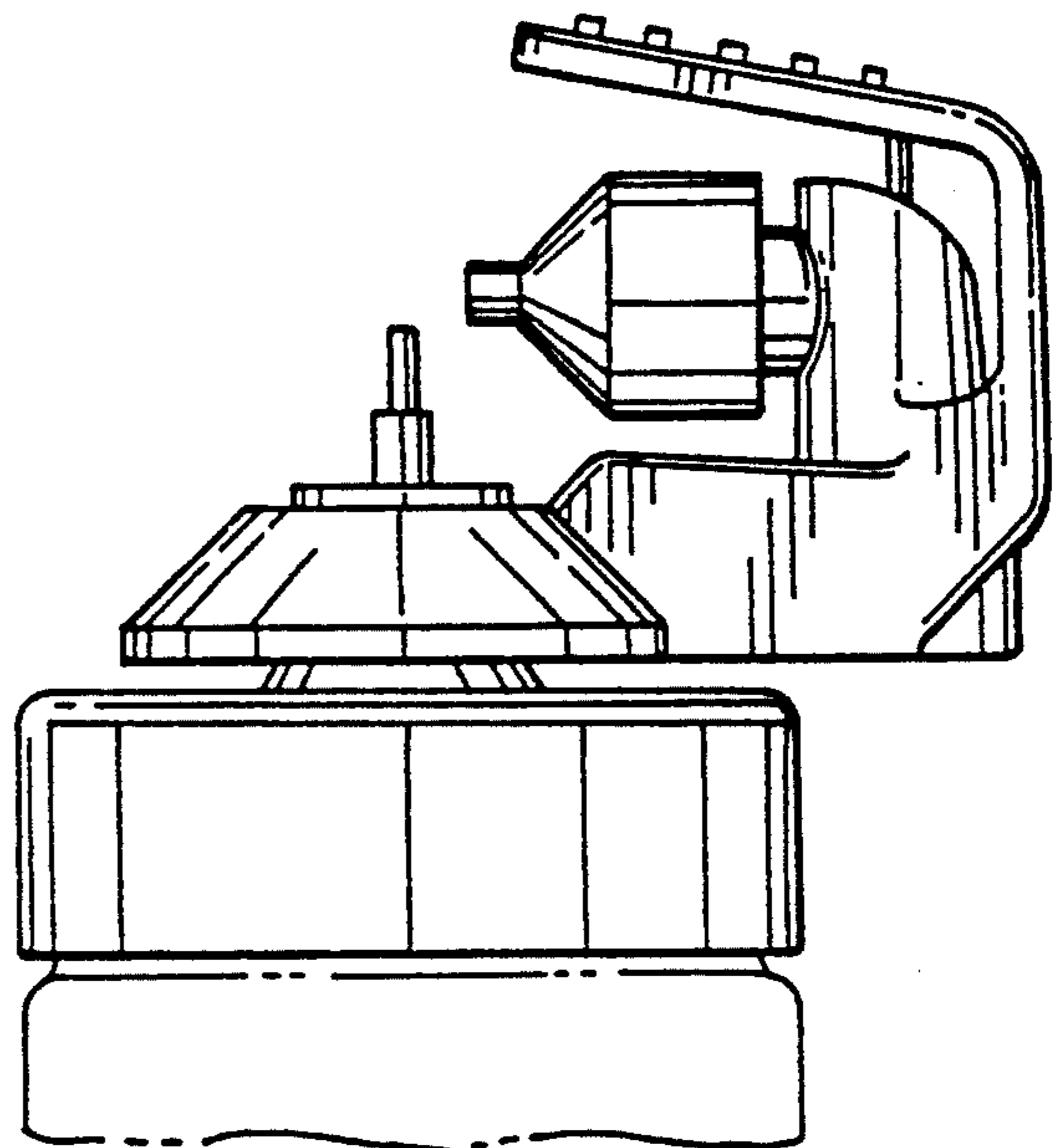


FIG. 2

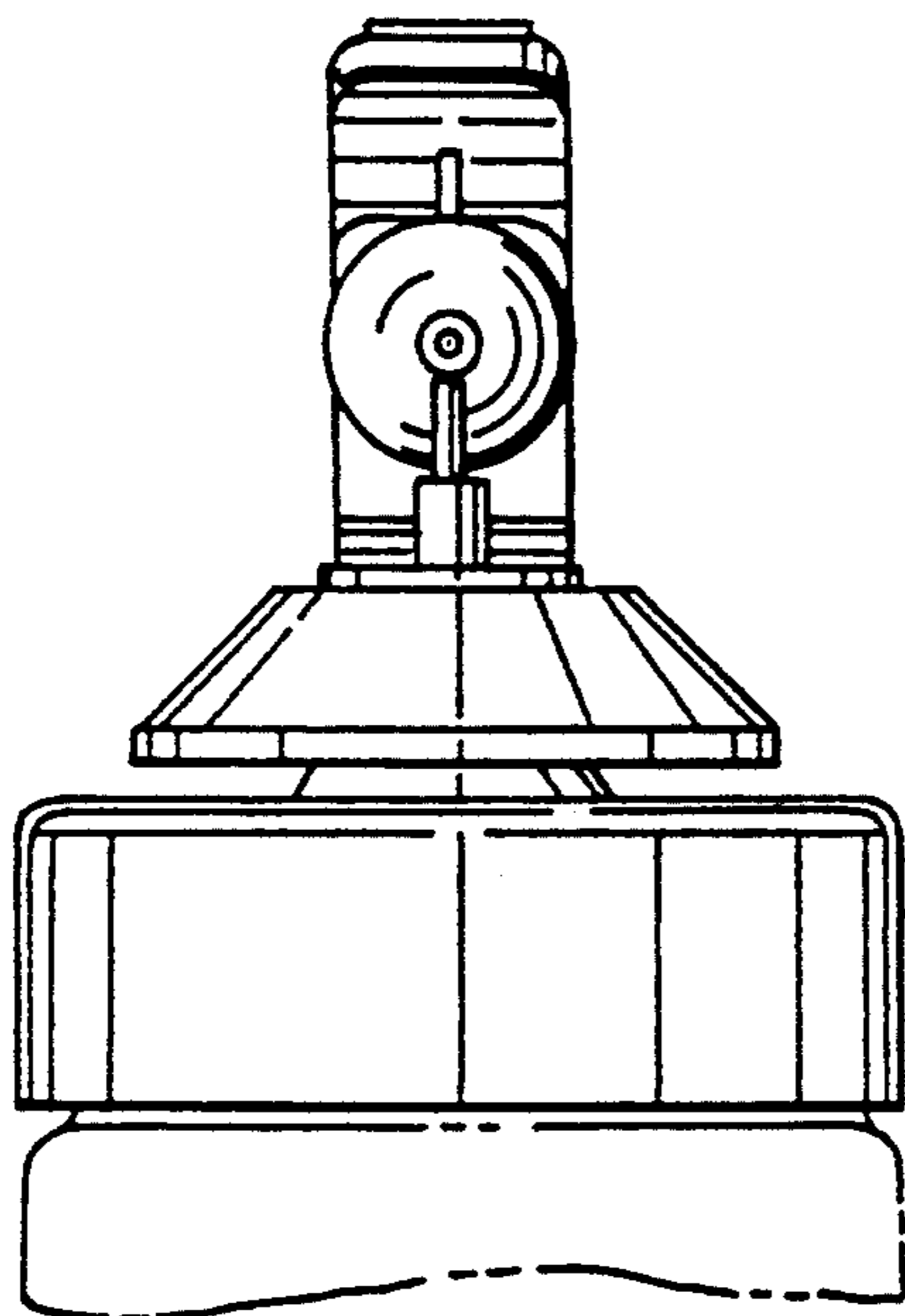


FIG. 3

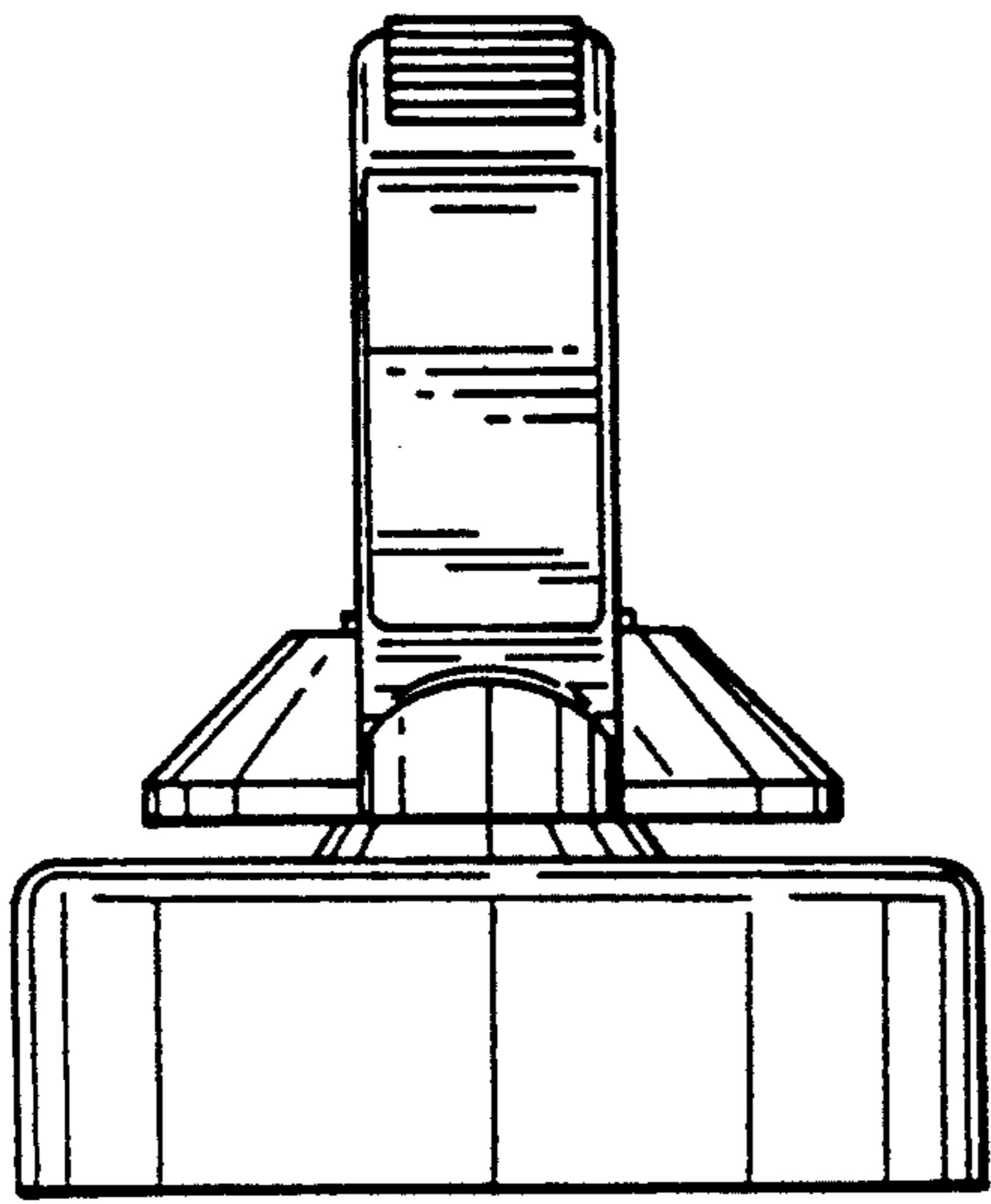


FIG. 4

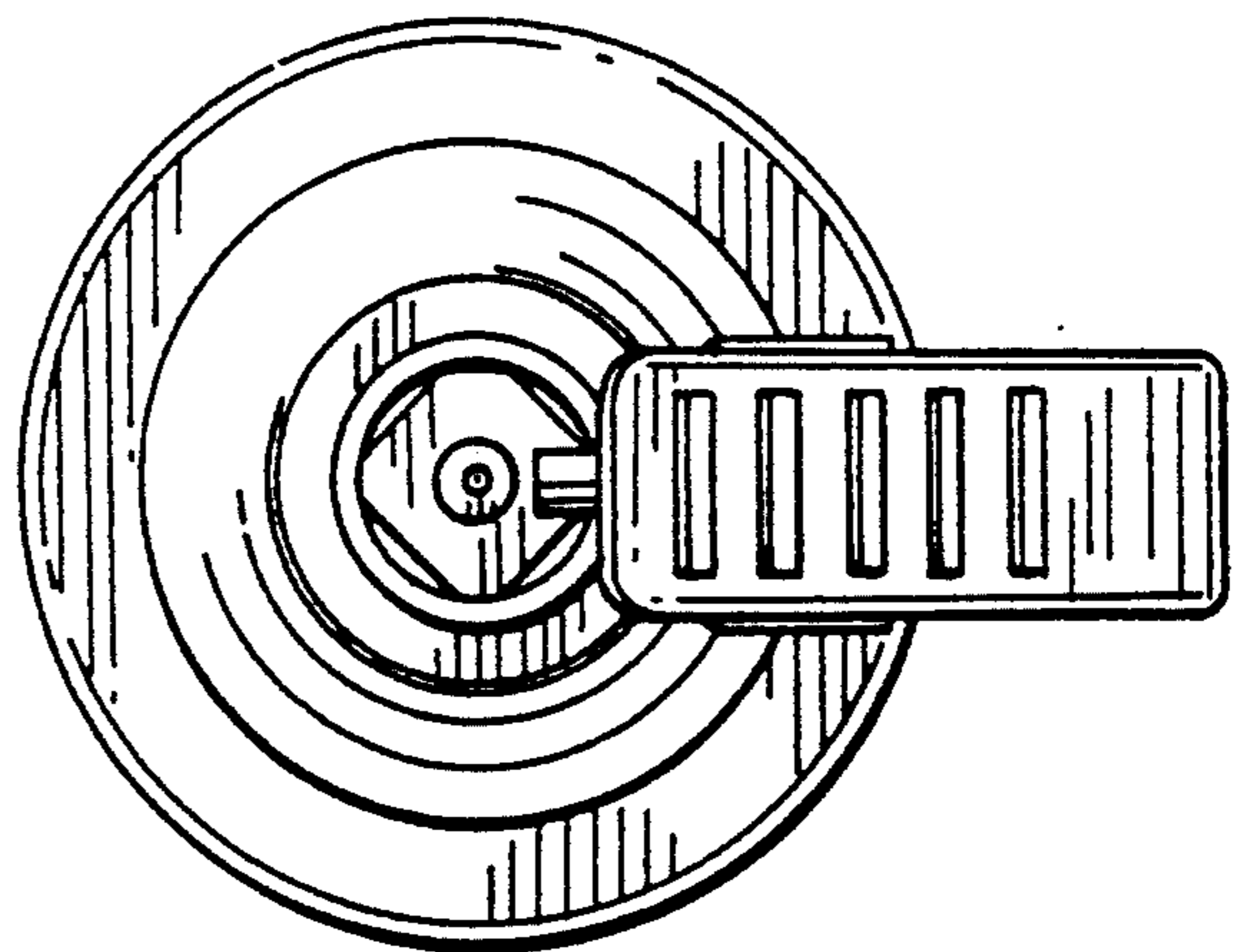


FIG. 5

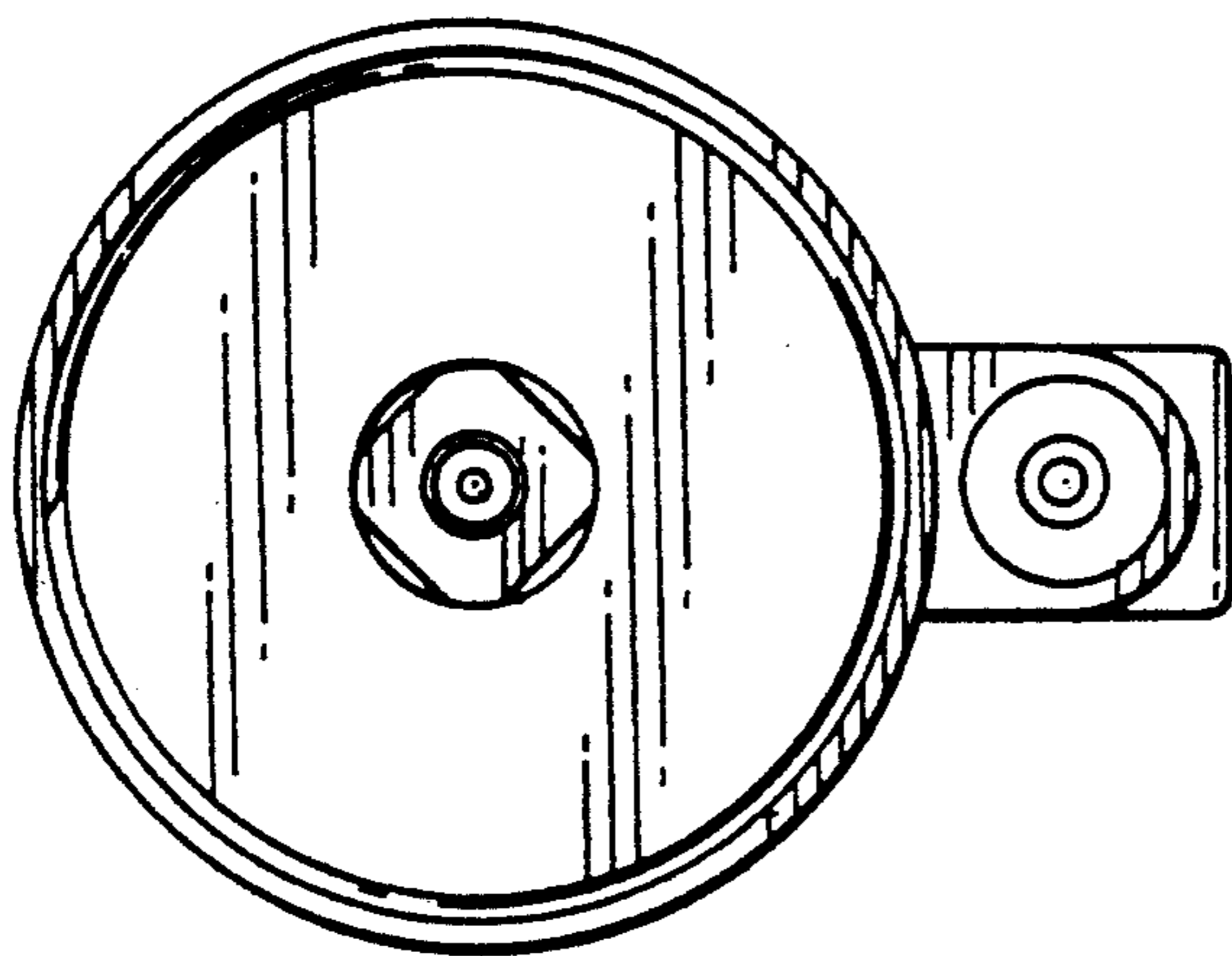


FIG. 6