



US00D346202S

United States Patent [19]

[11] Patent Number: **Des. 346,202**

Aquilina

[45] Date of Patent: **** Apr. 19, 1994**

[54] **SPRAY TUBE FOR AN OSCILLATING SPRINKLER**

[75] Inventor: **Paul C. Aquilina, Kitchener, Canada**

[73] Assignee: **Melnor Manufacturing, Ltd., Brantford, Canada**

[**] Term: **14 Years**

[21] Appl. No.: **893,699**

[22] Filed: **Jun. 5, 1992**

[52] U.S. Cl. **D23/216**

[58] Field of Search 239/200-206, 239/211, 222.11-223, 230-233, 273, 275-276, 288, 288.3, 288.5, 390-392, 443-444, 456, 468, 505, 518-524, 556-558, DIG. 1; D23/213-222

[56] **References Cited**

U.S. PATENT DOCUMENTS

D. 254,087	1/1980	Dadson	D23/216
1,204,309	11/1916	Peterson	239/280 X
2,952,413	9/1960	Jepson	239/242
3,786,991	1/1974	Ingham	239/242 X

Primary Examiner—Wallace R. Burke

Assistant Examiner—M. H. Tung
Attorney, Agent, or Firm—Heiskell, Donelson, Bearman, Adams, Williams & Caldwell

[57] **CLAIM**

The ornamental design for a spray tube for an oscillating sprinkler, as shown and described.

DESCRIPTION

FIG. 1 is a top, side perspective view of a spray tube for an oscillating sprinkler showing my new design, on a reduced scale;

FIG. 2 is a top plan view thereof;

FIG. 3 is a side elevational view thereof;

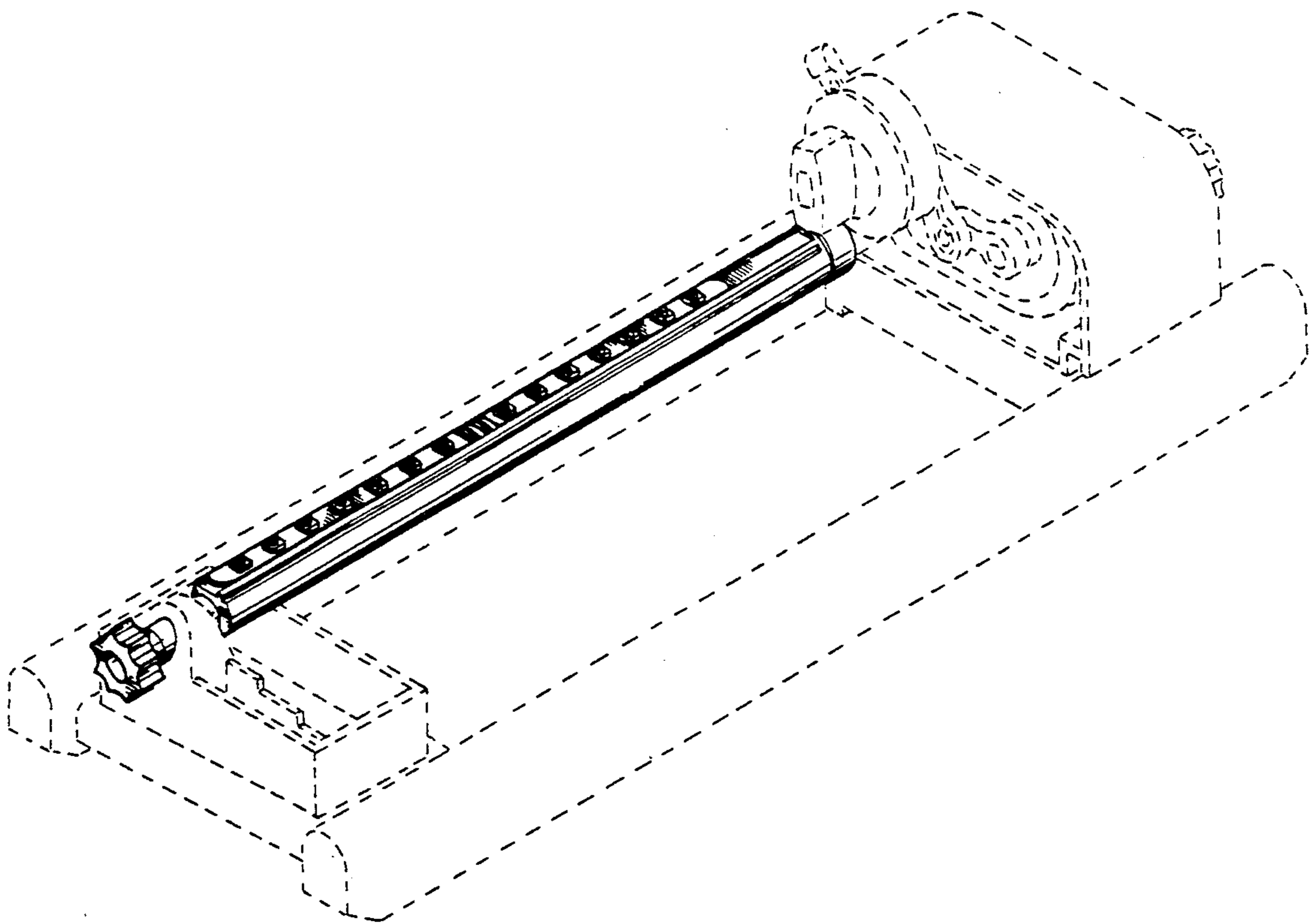
FIG. 4 is an end elevational view thereof, as seen from the left side of FIG. 2;

FIG. 5 is an end elevational view thereof, as seen from the right side of FIG. 2;

FIG. 6 is a bottom plan view thereof; and,

FIG. 7 is a top plan view of a second embodiment of my new design similar to FIG. 2, the only difference being the number of spray nozzles.

The broken line drawing of a sprinkler body and driving mechanism shown in FIG. 1 is for illustrative purposes only, and forms no part of the claimed design.



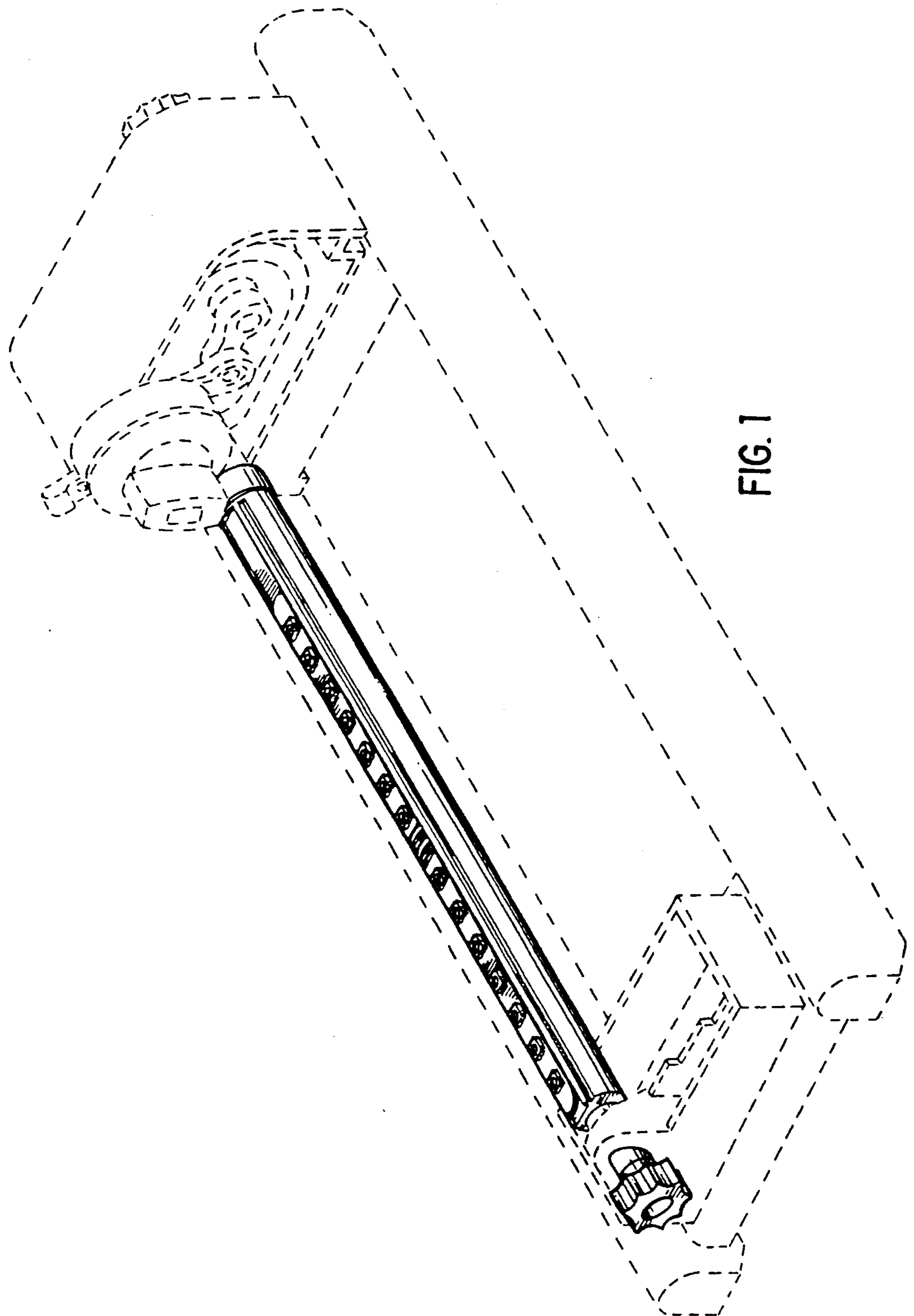


FIG. 1

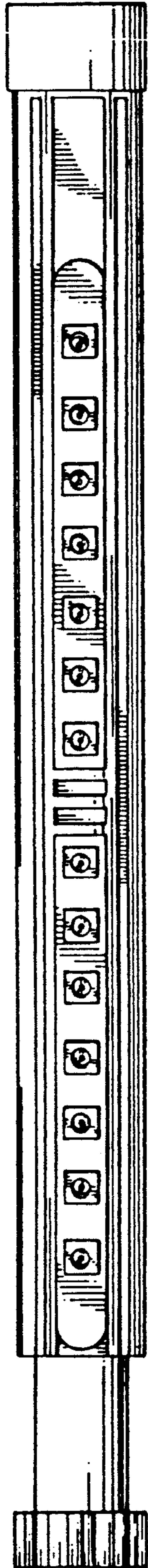


FIG. 2

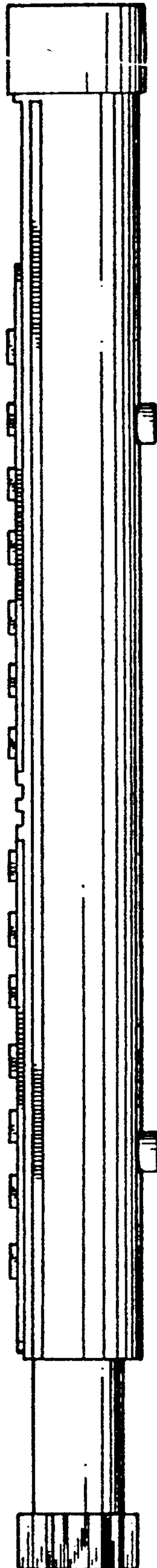


FIG. 3

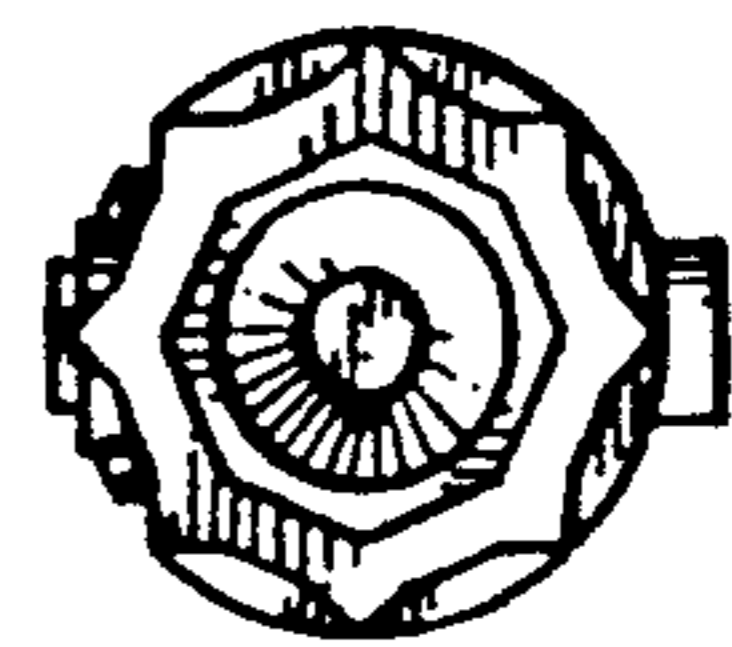


FIG. 4

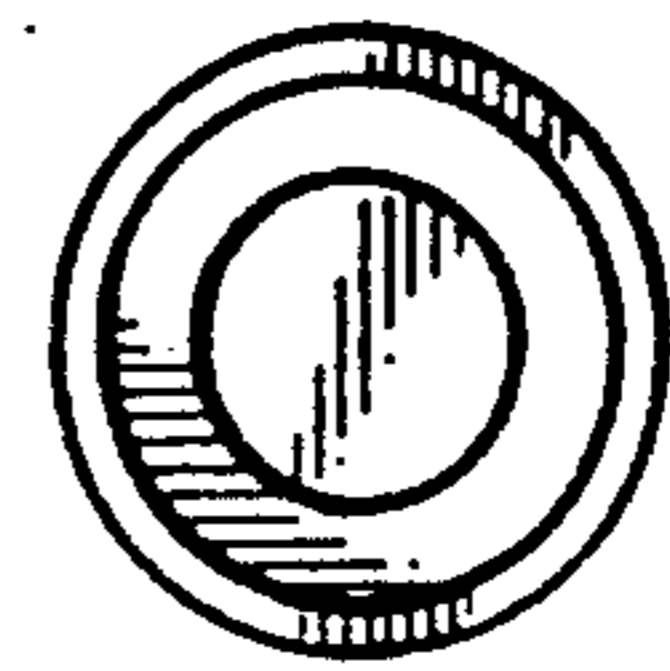


FIG. 5

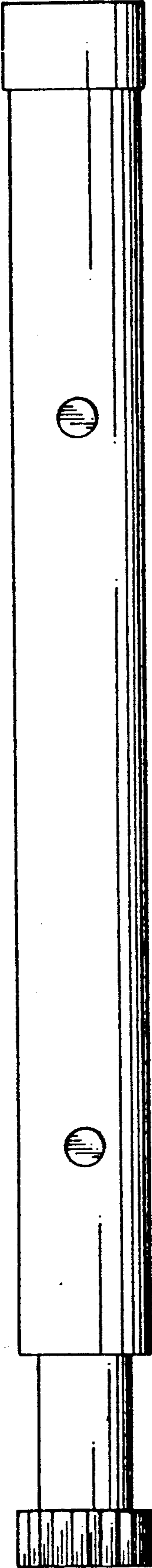


FIG. 6

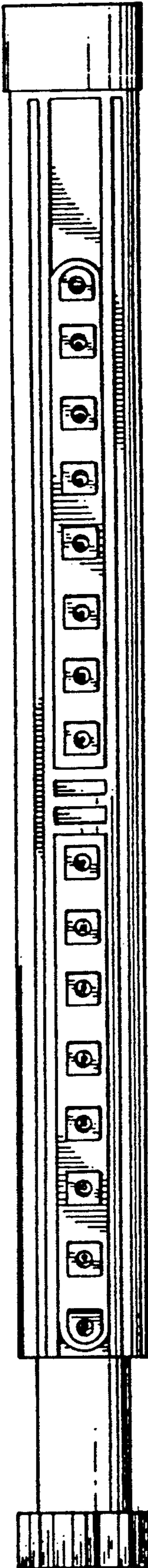


FIG. 7