



US00D346201S

United States Patent [19]

[11] Patent Number: **Des. 346,201**

Heki et al.

[45] Date of Patent: **** Apr. 19, 1994**

[54] **PORTABLE STORM DRAIN COVER**

D. 260,170	8/1981	Cornwall	D23/260
D. 266,103	9/1982	Carter	D23/200
D. 292,434	11/1987	Alberico	D23/259
D. 300,350	3/1989	Mathison	D23/260

[75] Inventors: **Craig D. Heki, Henderson; Alan J. Gaddy, Las Vegas, both of Nev.**

[73] Assignee: **Kerr-McGee Chemical Corporation, Oklahoma City, Okla.**

Primary Examiner—James R. Largen
Attorney, Agent, or Firm—Herbert M. Hanegan

[**] Term: **14 Years**

[57] **CLAIM**

[21] Appl. No.: **756,113**

The ornamental design for the portable storm drain cover, as shown.

[22] Filed: **Sep. 6, 1991**

DESCRIPTION

[52] U.S. Cl. **D23/200; D23/260**

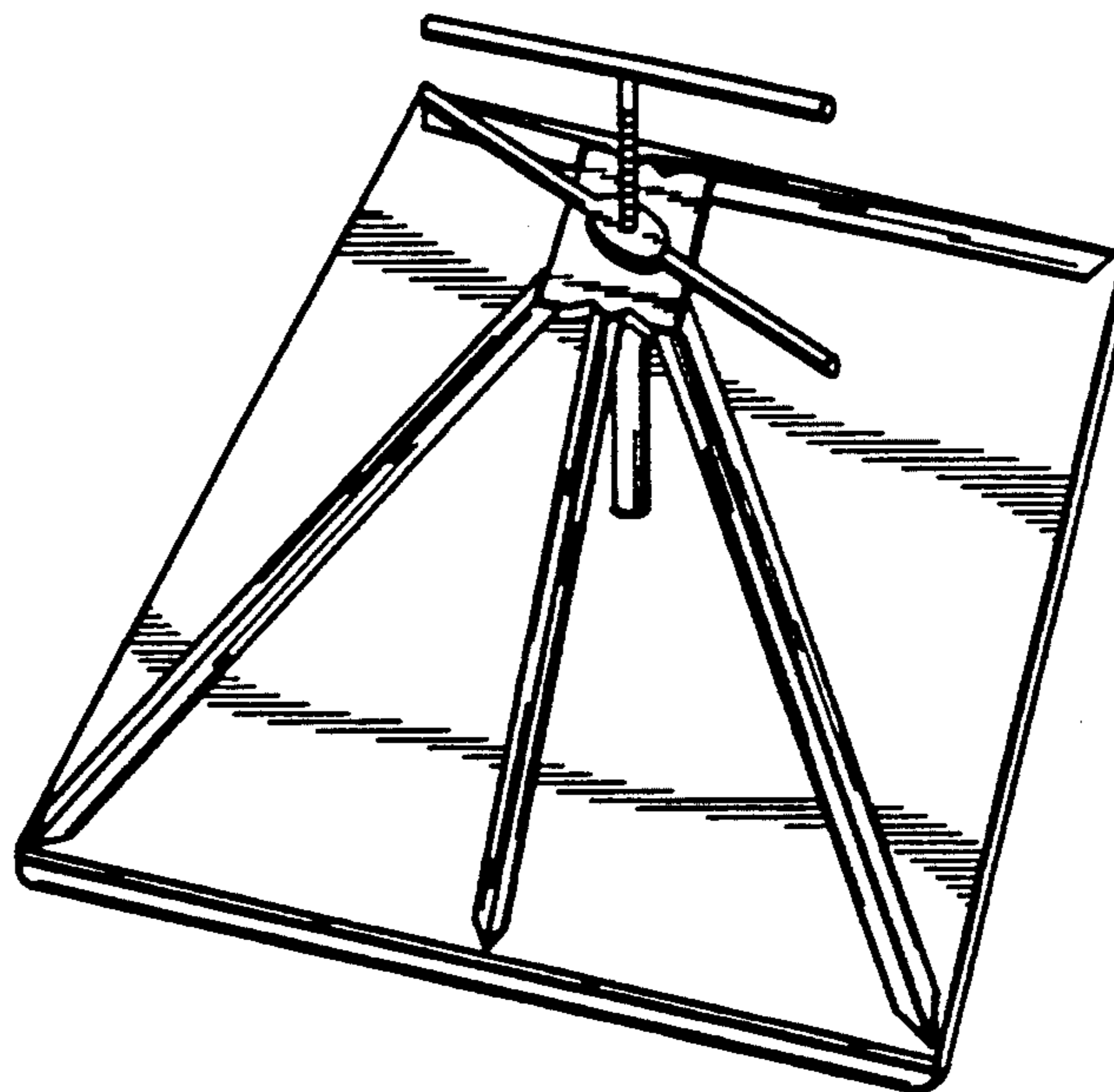
[58] Field of Search **137/800; D23/200, 233-237, D23/244-249, 259, 260**

FIG. 1 is a top perspective view of a portable storm drain cover showing our new design;
FIG. 2 is a left side elevational view thereof;
FIG. 3 is a right side elevational view thereof;
FIG. 4 is a top plan view thereof;
FIG. 5 is a bottom plan view thereof;
FIG. 6 is a front elevational view thereof; and,
FIG. 7 is a rear elevational view thereof.

[56] **References Cited**

U.S. PATENT DOCUMENTS

D. 130,325	11/1941	Heare	D23/260
D. 213,956	4/1969	Jones, Jr. et al.	D23/200



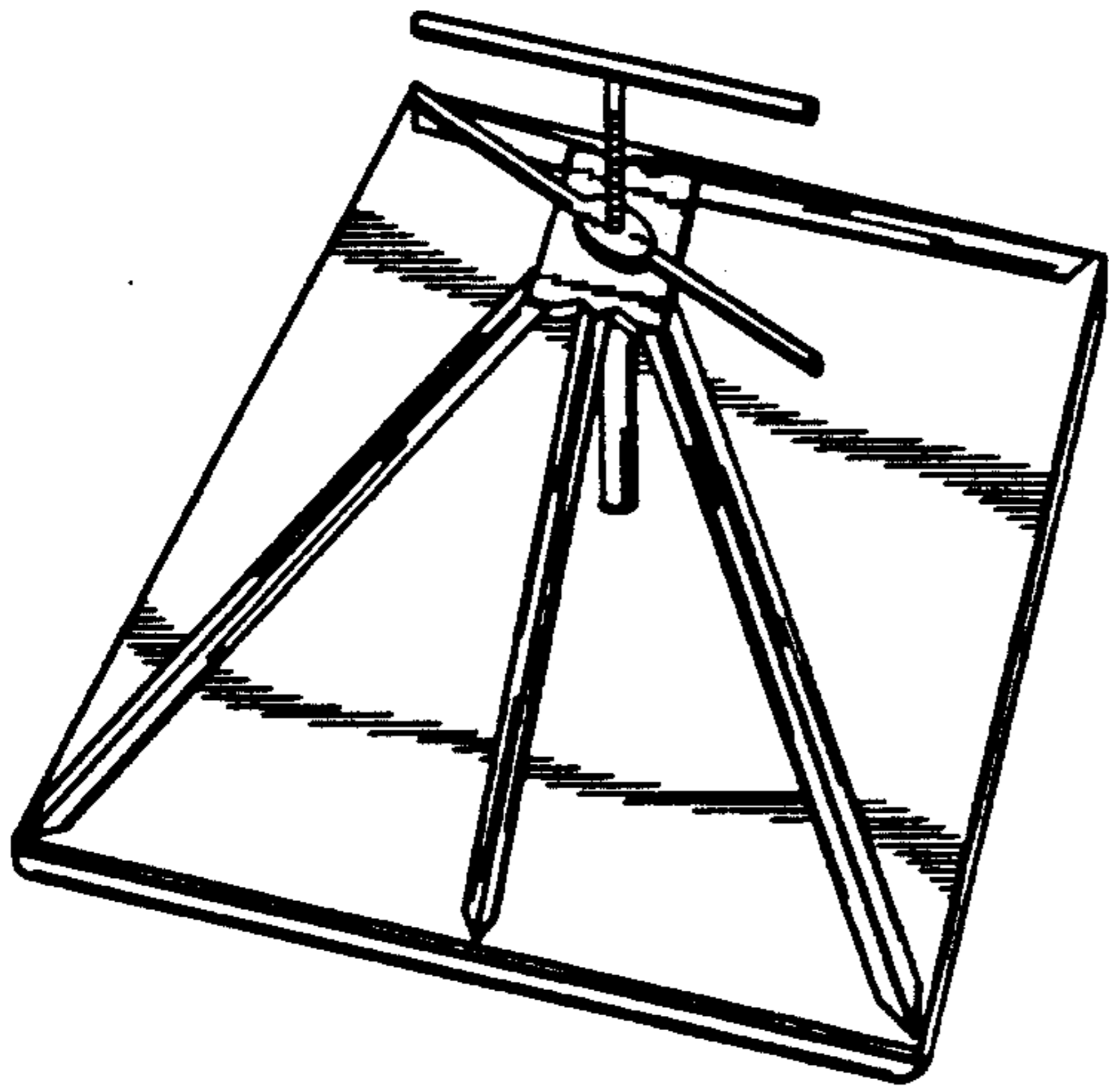


FIG. 1

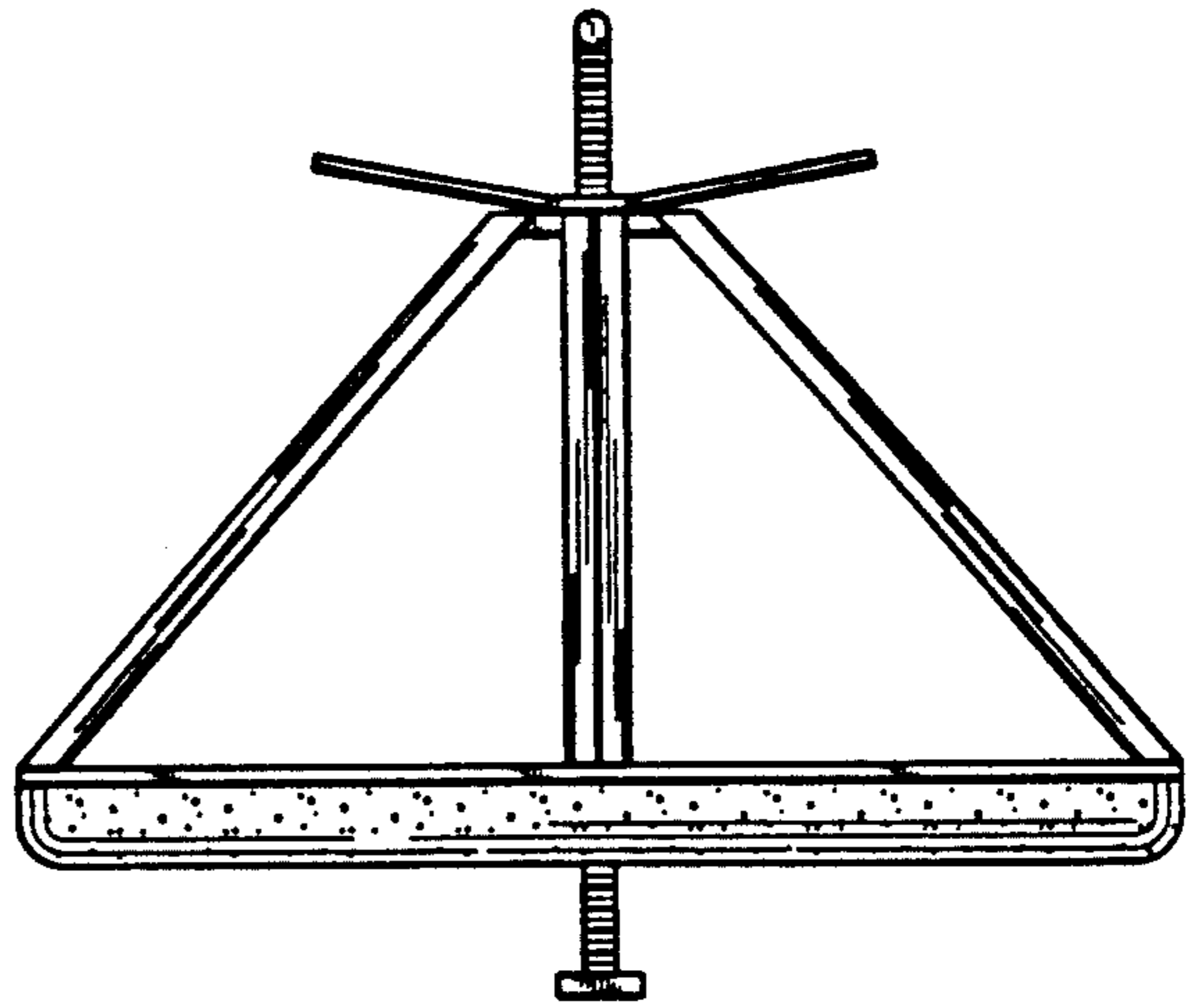


FIG. 2

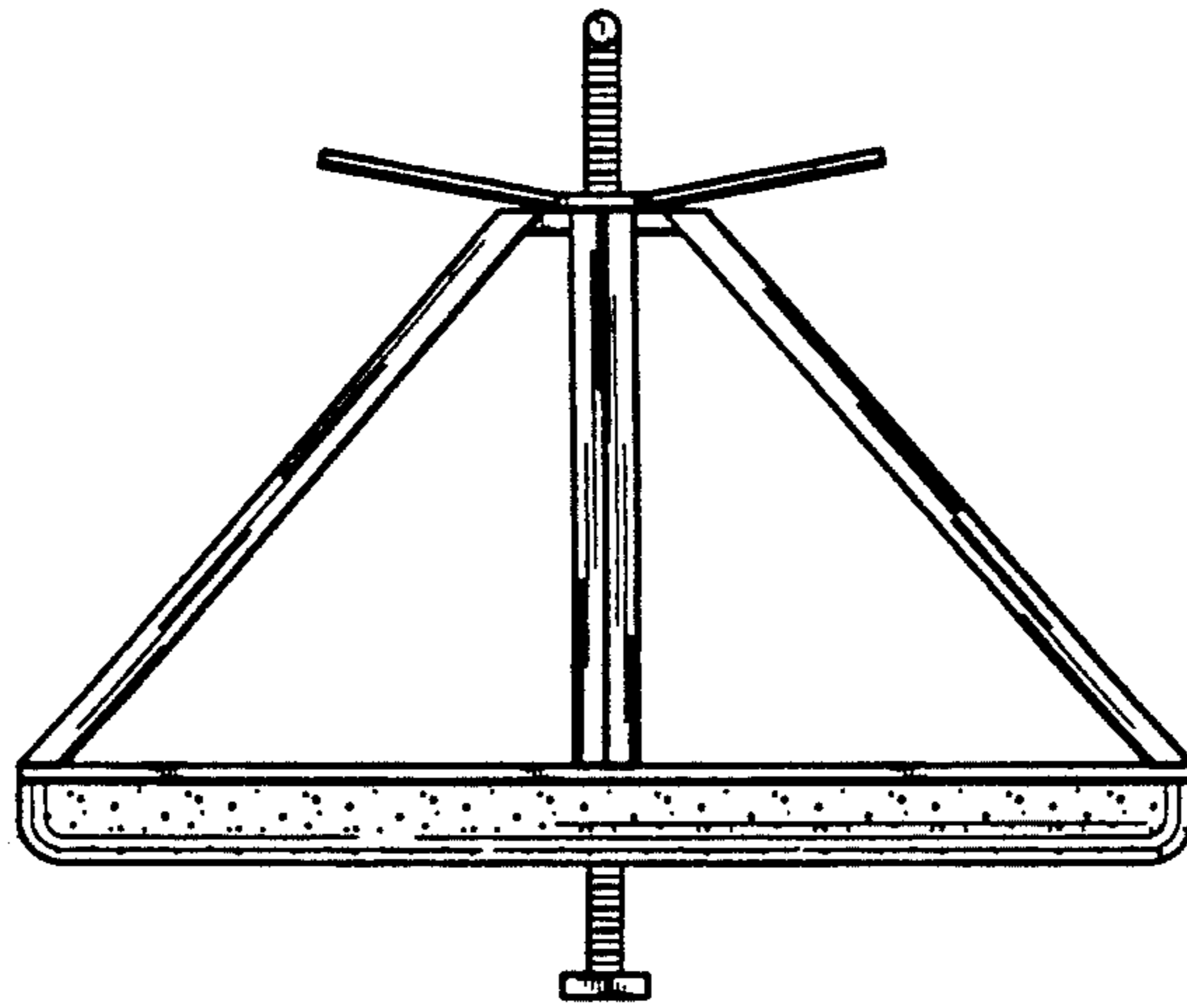


FIG. 3

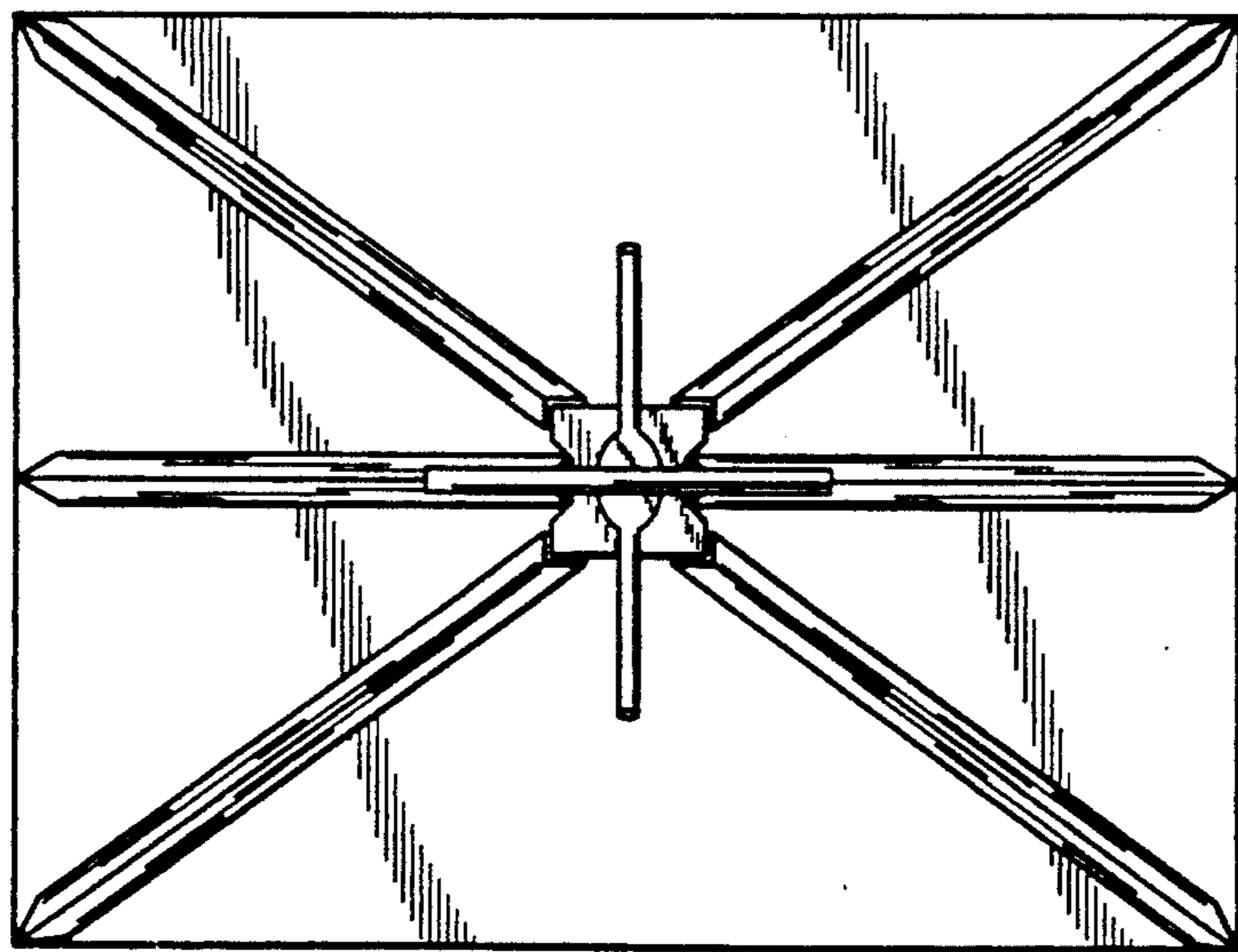


FIG. 4

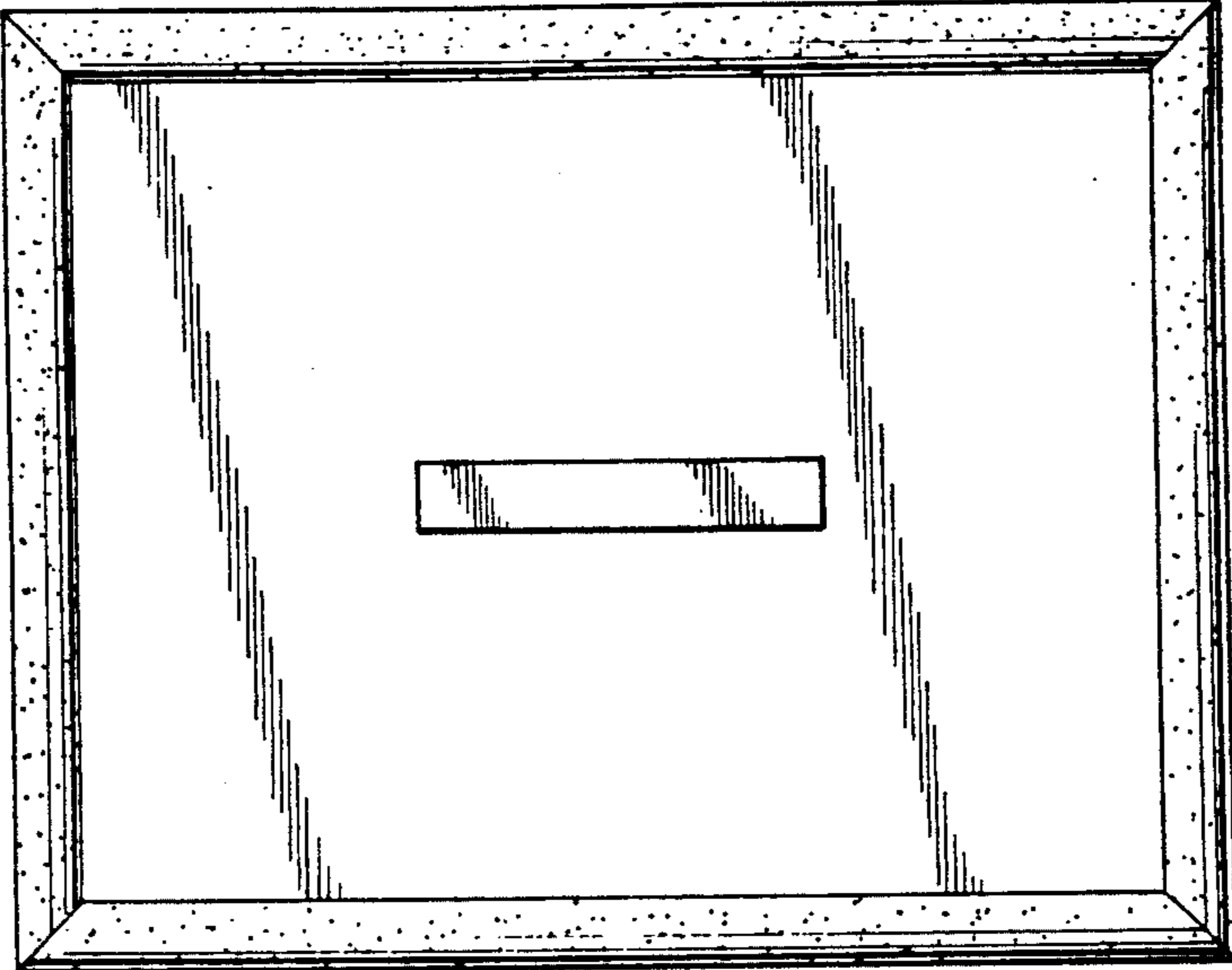


FIG. 5

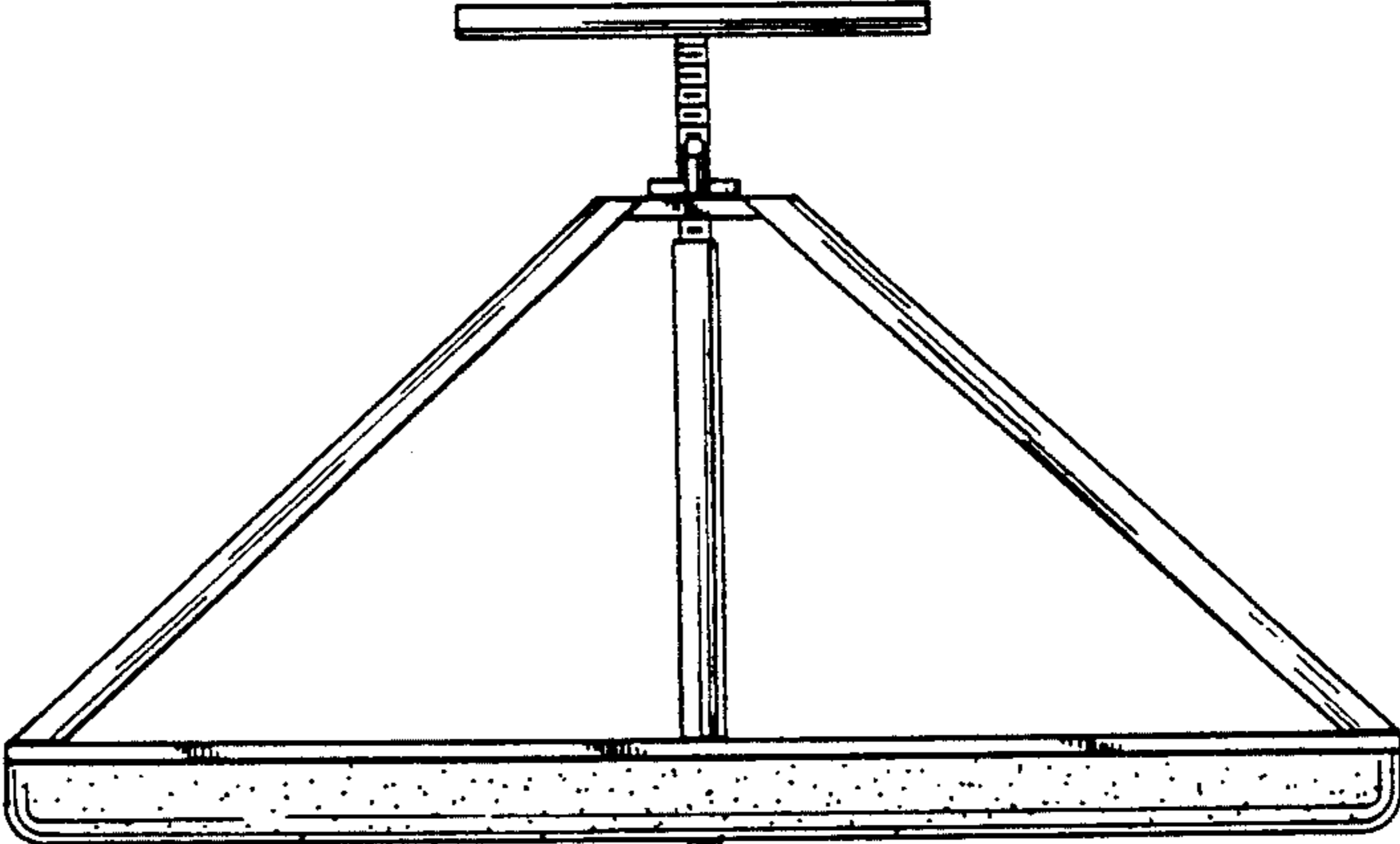


FIG. 6

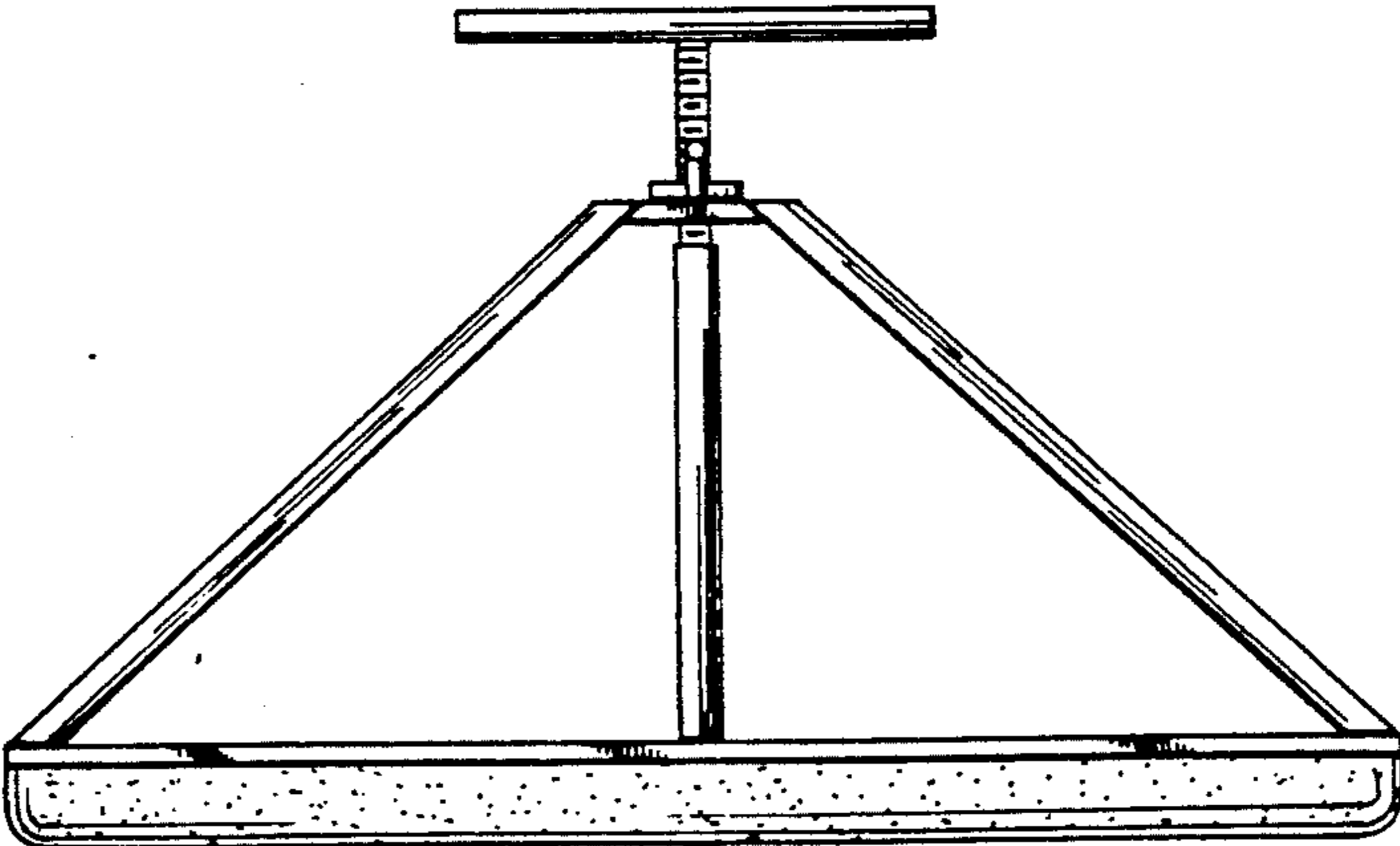


FIG. 7