



US00D346198S

# United States Patent [19]

[11] Patent Number: **Des. 346,198**

**Herringshaw**

[45] Date of Patent: **\*\* Apr. 19, 1994**

[54] MOUNT FOR GUN SCOPE

*Assistant Examiner*—R. Seifert  
*Attorney, Agent, or Firm*—Fay, Sharpe, Beall, Fagan,  
Minnich & McKee

[76] Inventor: **James H. Herringshaw**, 2405  
Somrack Dr., Willoughby Hills,  
Ohio 44094

[57] **CLAIM**

[\*\*] Term: **14 Years**

The ornamental design for a mount for gun scope, as  
shown and described.

[21] Appl. No.: **822,568**

**DESCRIPTION**

[22] Filed: **Jan. 17, 1992**

[52] U.S. Cl. .... **D22/110**

[58] Field of Search ..... 33/248, 245, 247, 250,  
33/259; 42/101; D22/110, 109

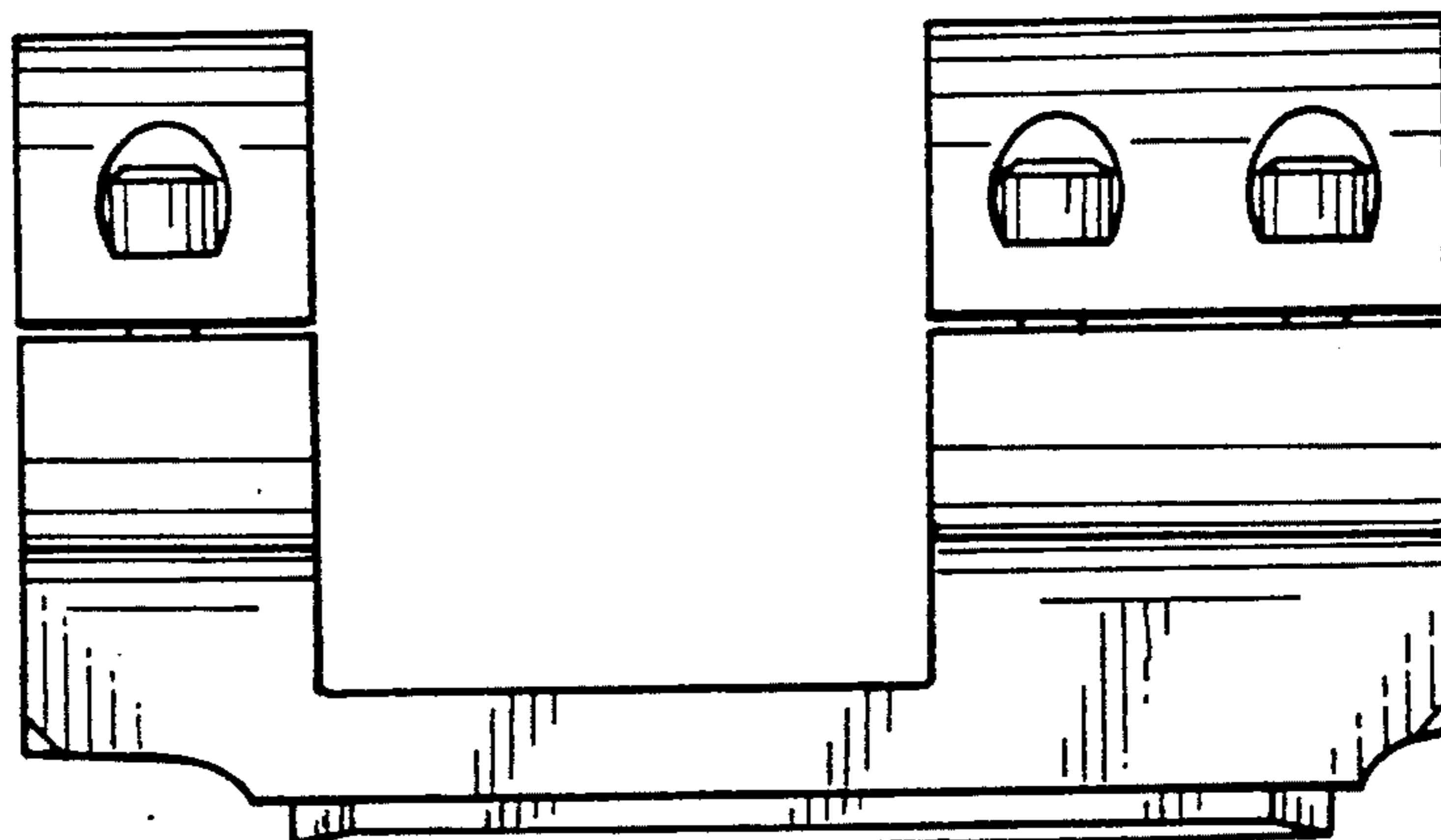
FIG. 1 is a left side elevational view of a mount for gun  
scope shown in its environment;  
FIG. 2 is a left side elevational view thereof;  
FIG. 3 is a top plan view thereof;  
FIG. 4 is a bottom plan view thereof;  
FIG. 5 is a right side elevational view thereof;  
FIG. 6 is front elevational view thereof;  
FIG. 7 is a rear elevational view thereof;  
FIG. 8 is a left side elevational view of a mount for gun  
scope showing a second embodiment of my new design;  
FIG. 9 is a top plan view thereof;  
FIG. 10 is a bottom plan view thereof;  
FIG. 11 is a right side elevational view thereof;  
FIG. 12 is a front elevational view thereof; and,  
FIG. 13 is a rear elevational view thereof.  
The broken lines shown of the gun and gun scope in  
FIG. 1 are for illustrative purposes only and form no  
part of the claimed design.

[56] **References Cited**

**U.S. PATENT DOCUMENTS**

D. 209,049	10/1967	Holden	.....	D22/110
D. 317,344	6/1991	Klumpp	.....	D22/110
2,743,526	5/1956	Ivy	.....	33/248
2,782,509	2/1957	Ivy	.....	33/248
4,509,282	4/1985	McMillon	.....	33/245
4,531,321	7/1985	Bechtel	.....	33/248
4,562,658	1/1986	Govett	.....	42/101
4,776,126	10/1988	Williams	.....	33/247
5,070,637	12/1991	French	.....	42/101

*Primary Examiner*—A. Hugo Word



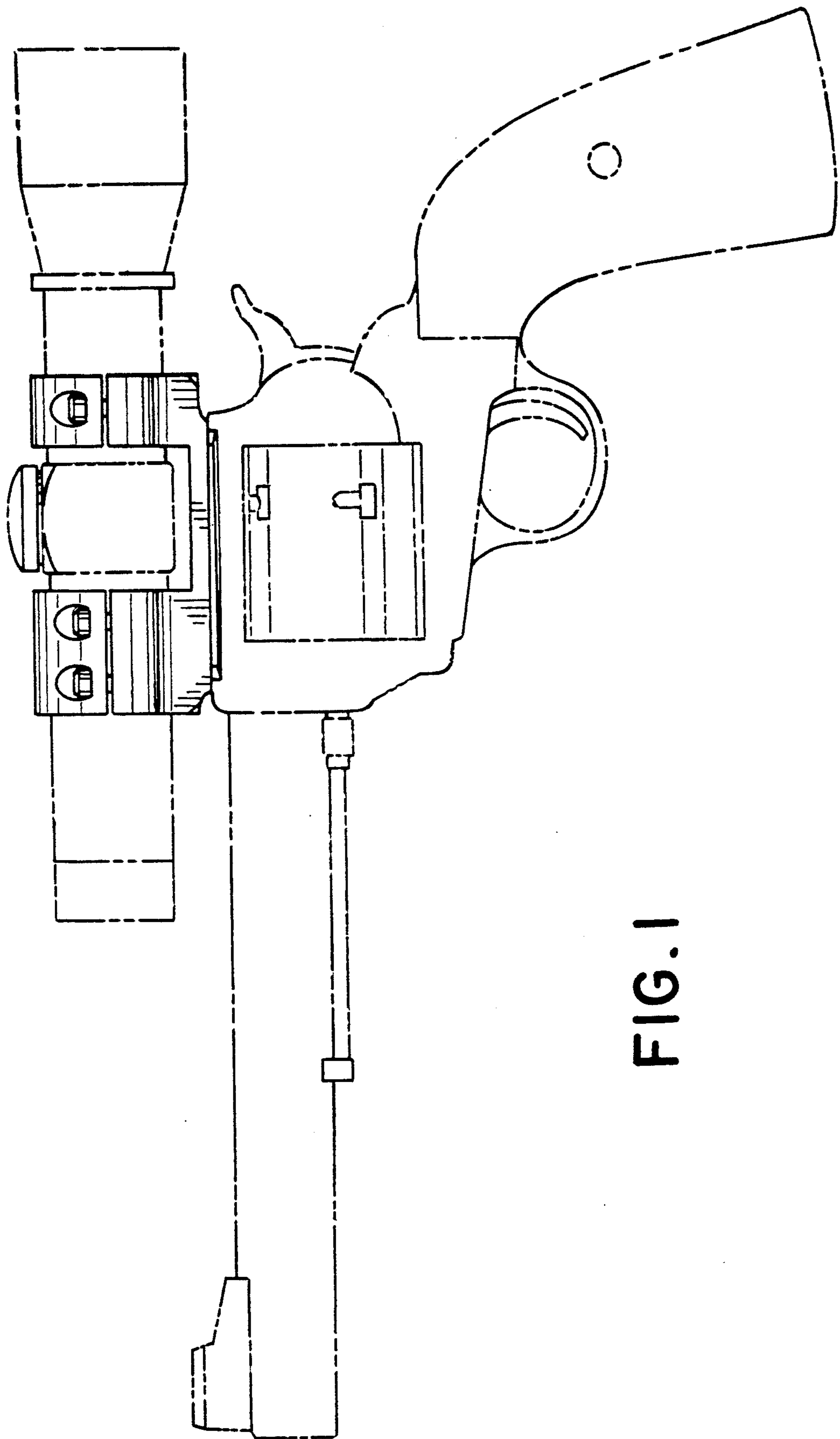


FIG. 1

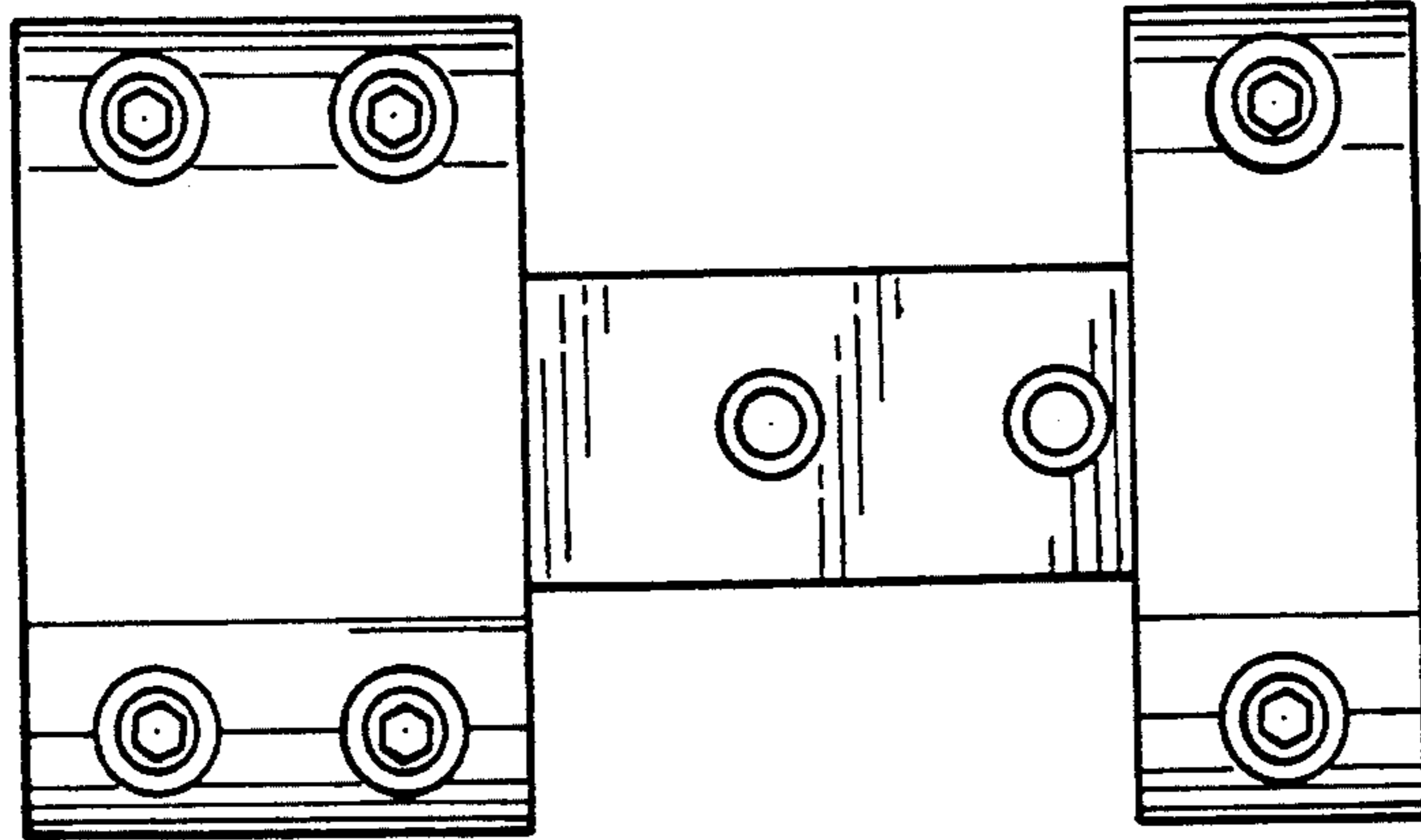


FIG. 3

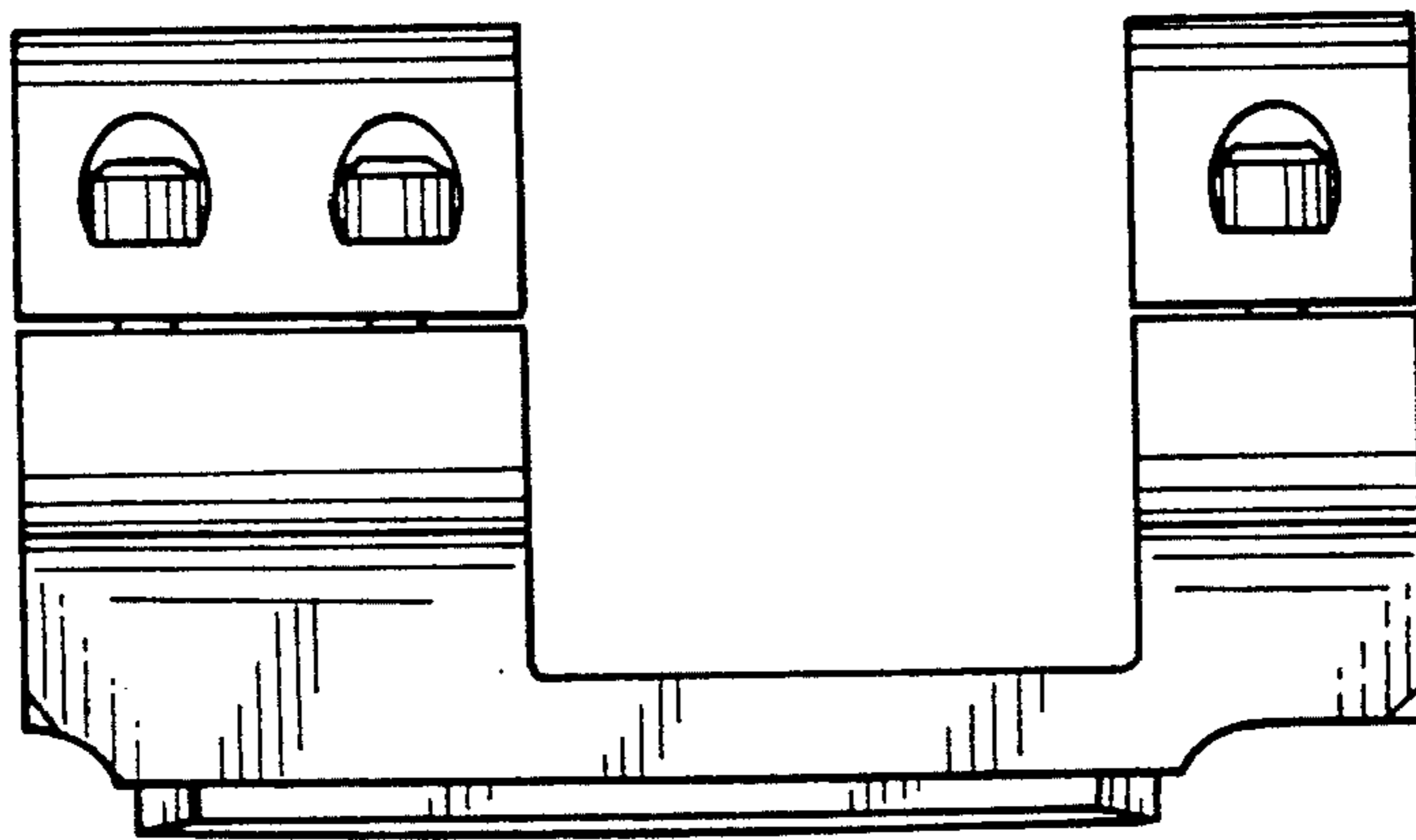


FIG. 2

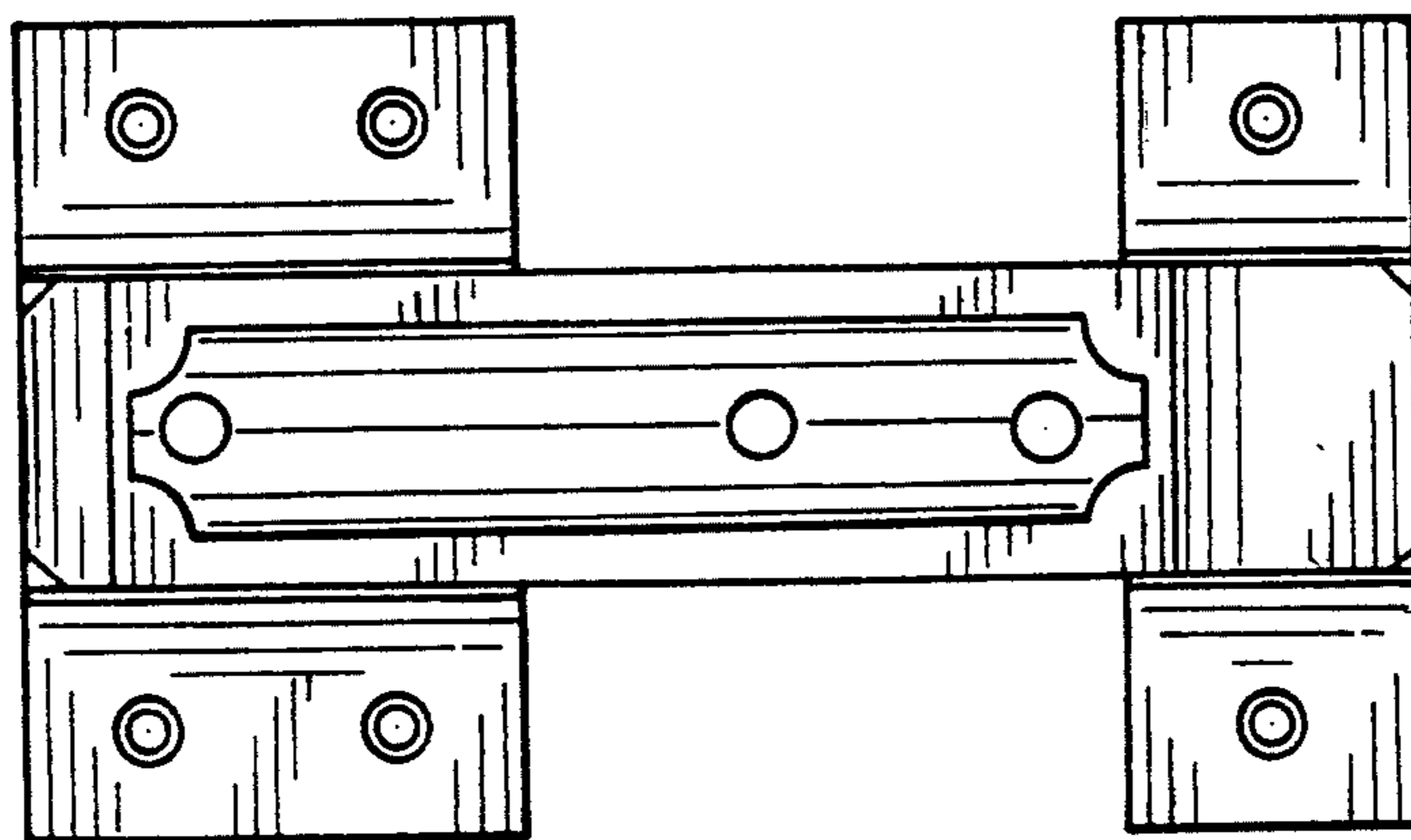


FIG. 4

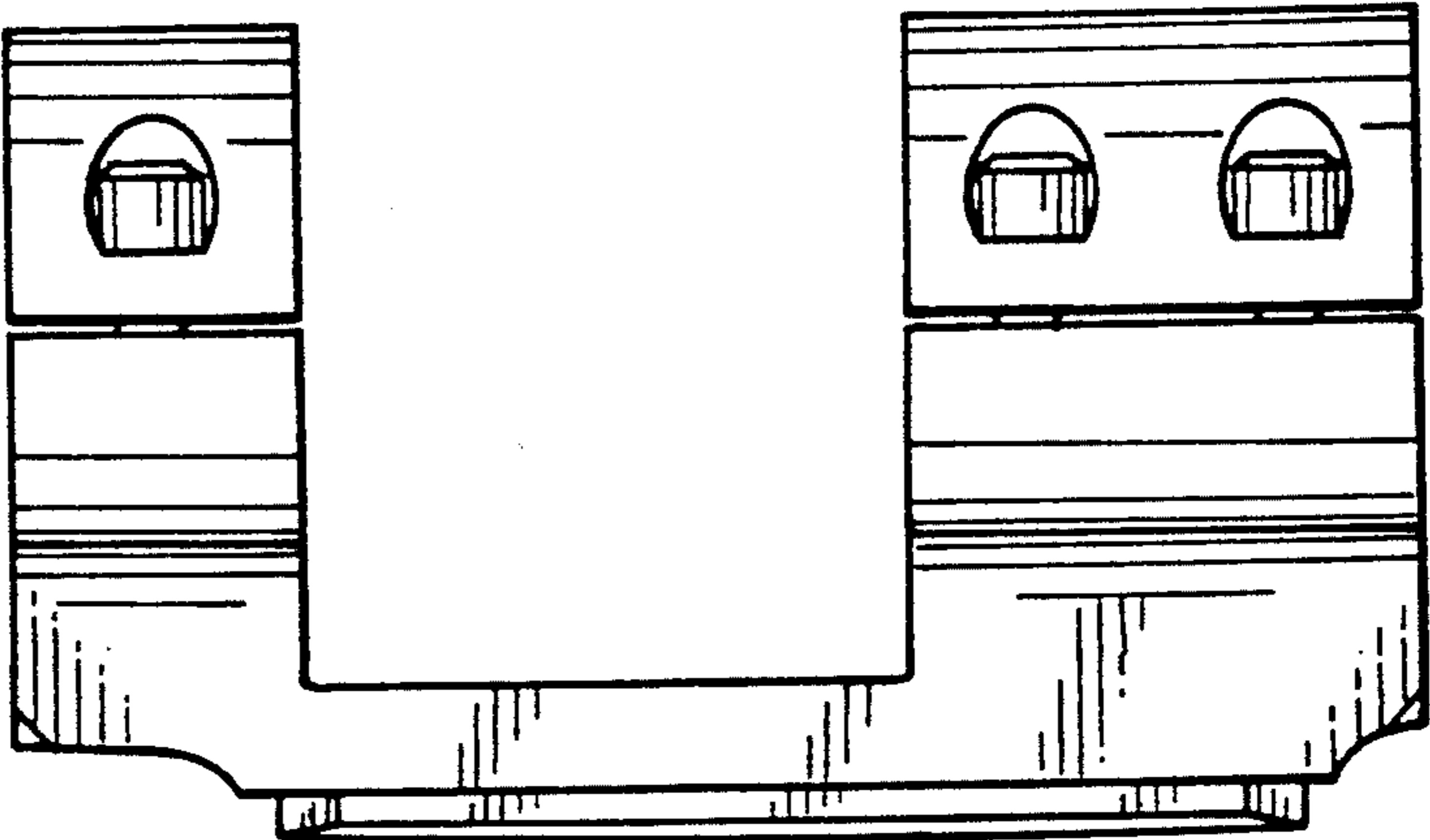


FIG. 5

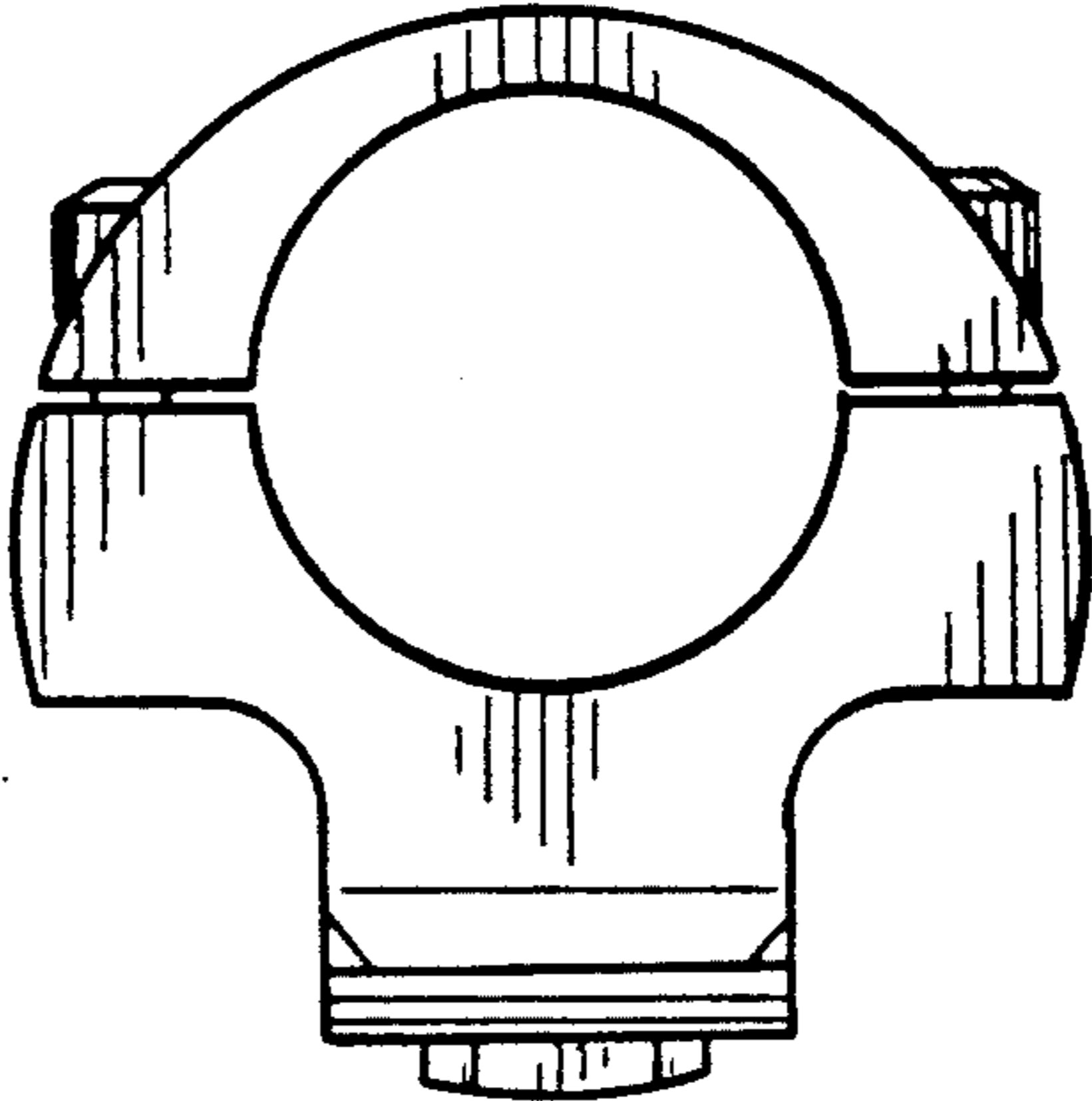


FIG. 6

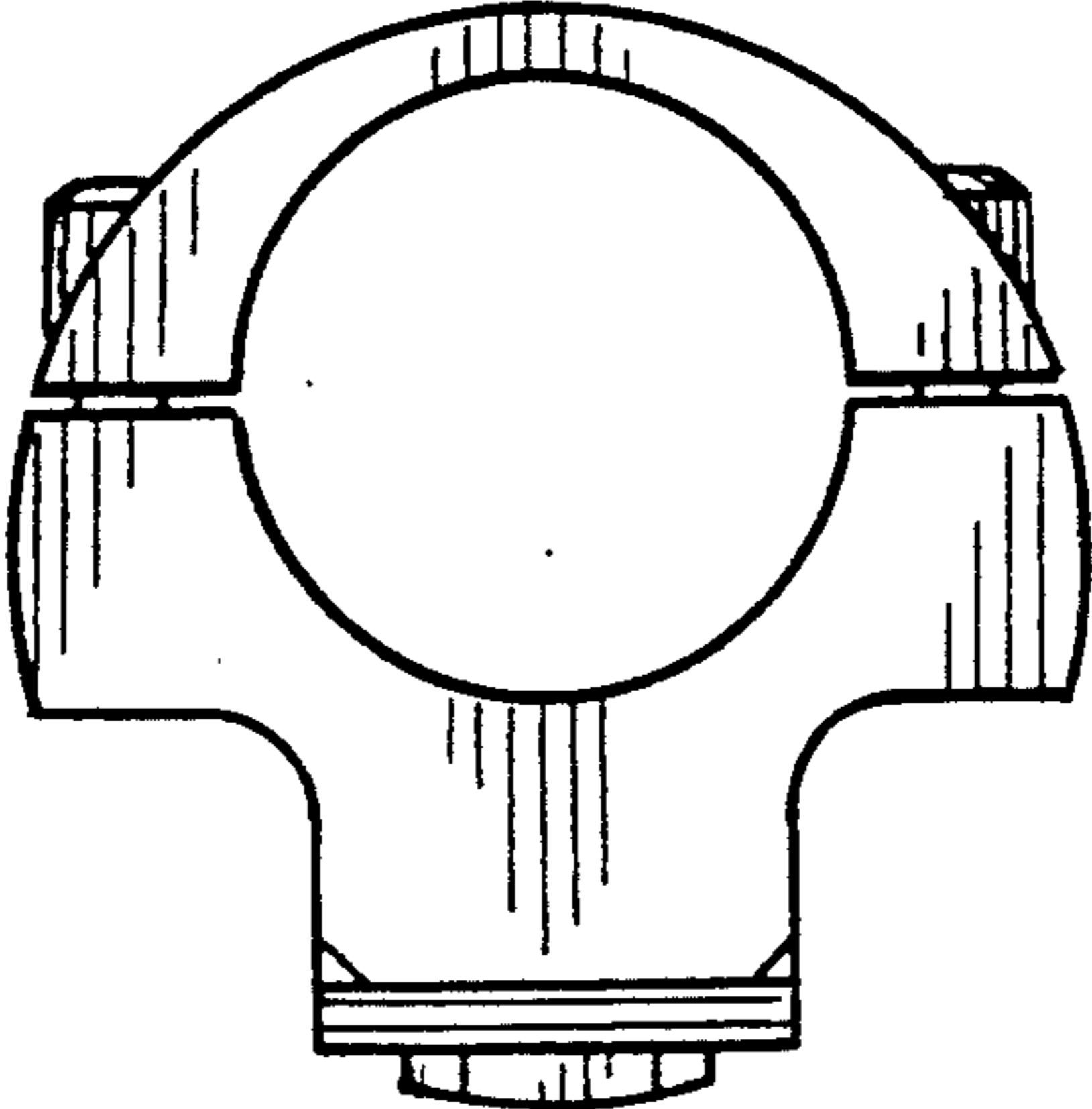


FIG. 7

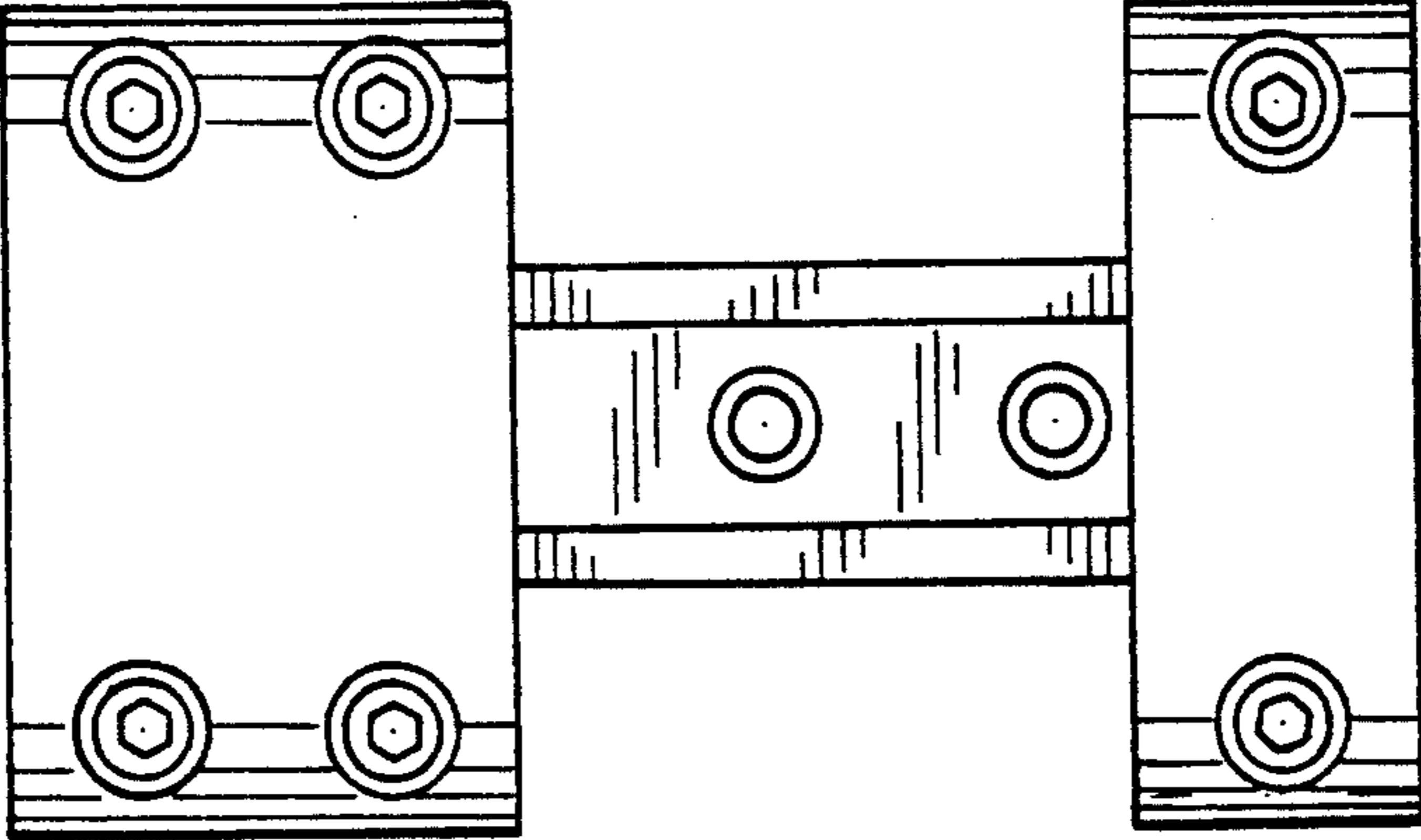


FIG. 9

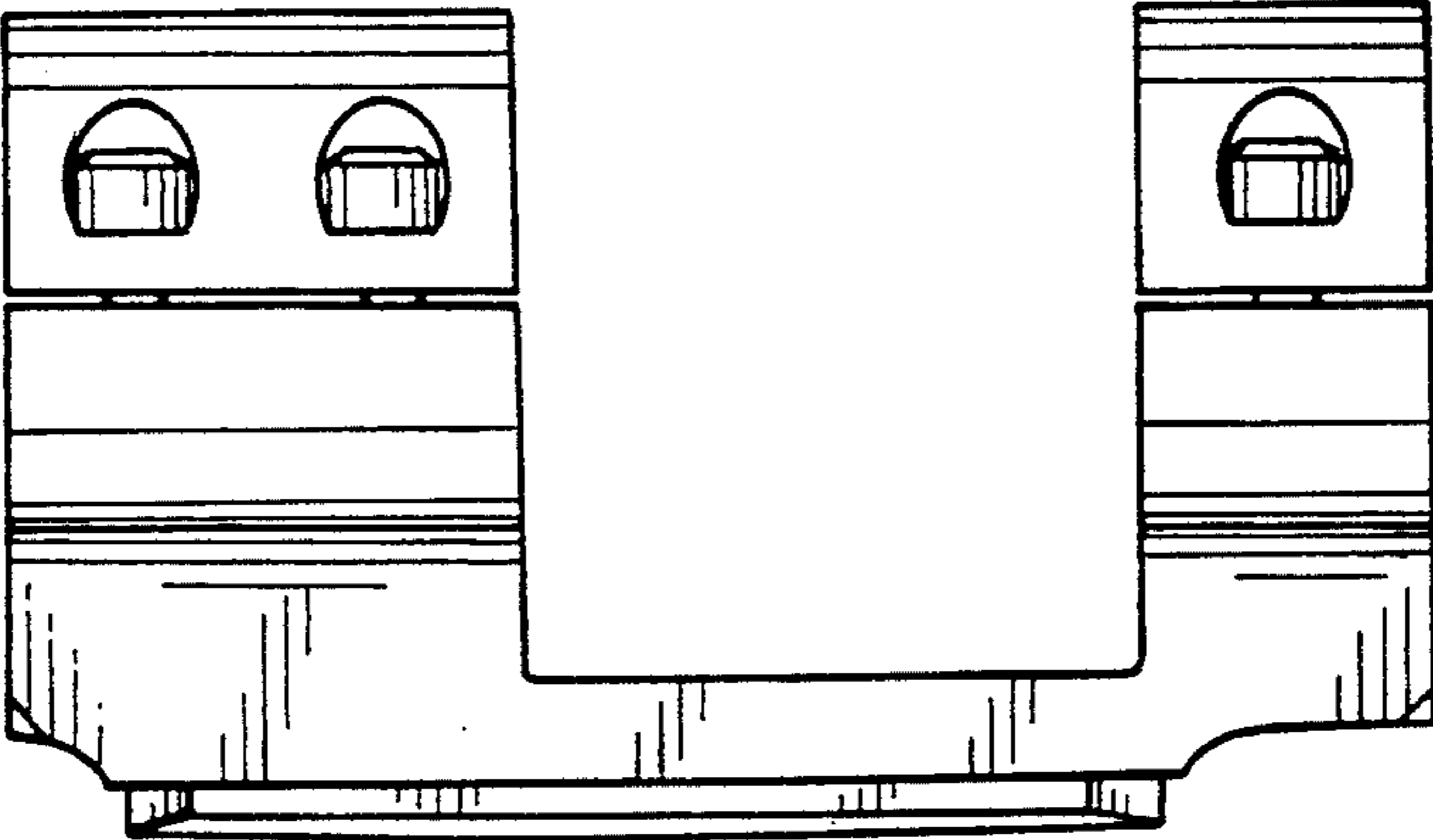


FIG. 8

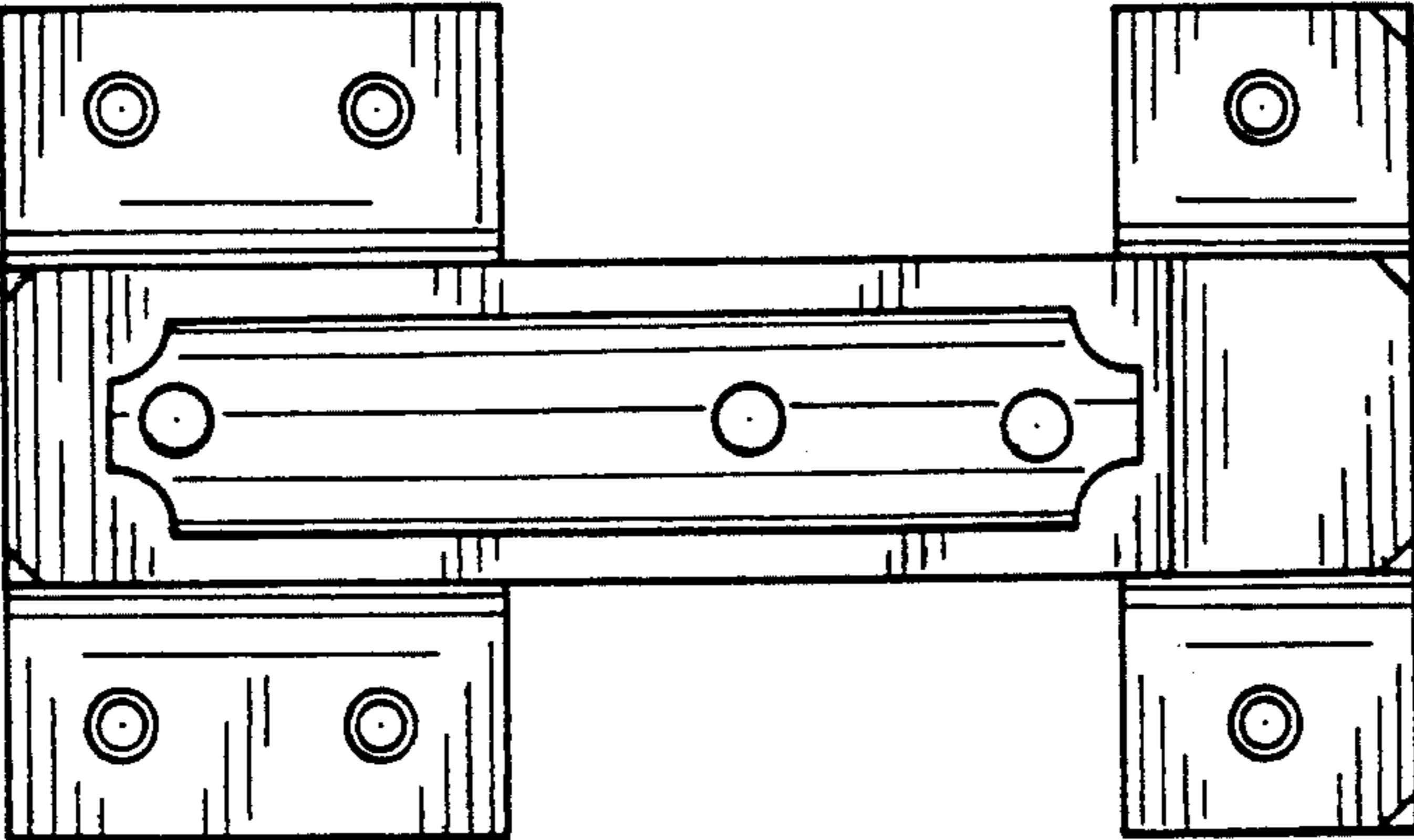


FIG. 10

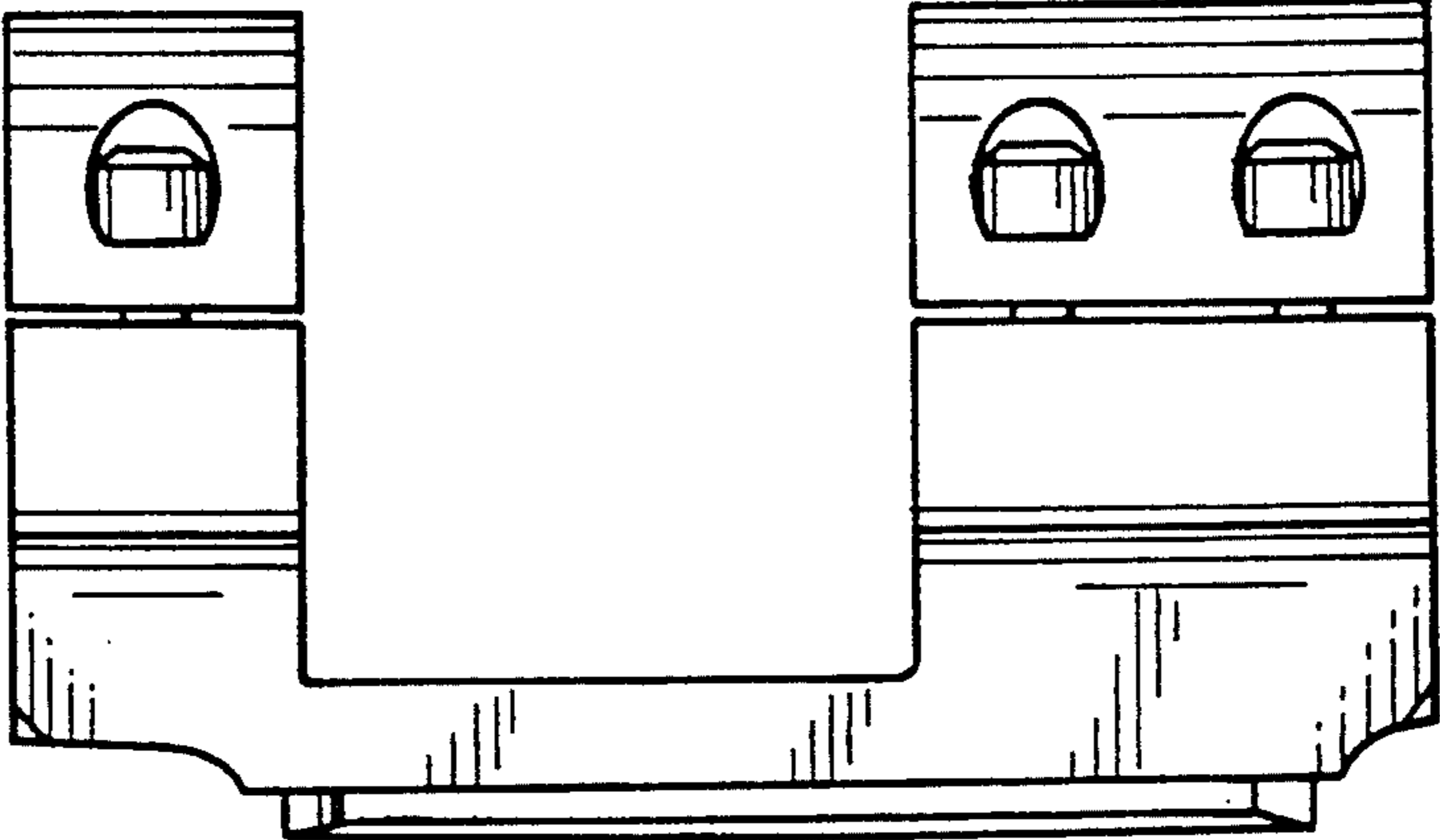


FIG. 11

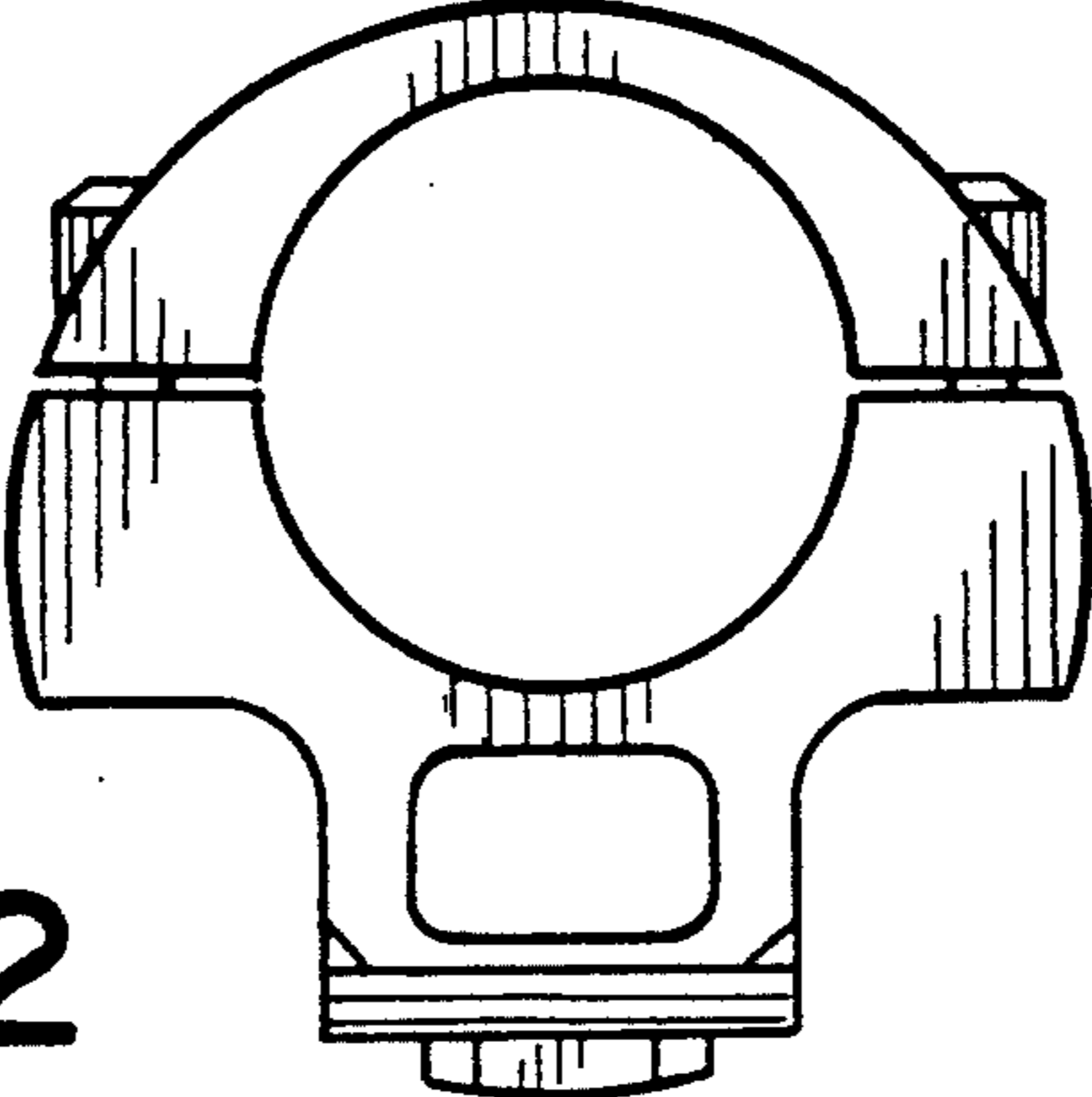


FIG. 12

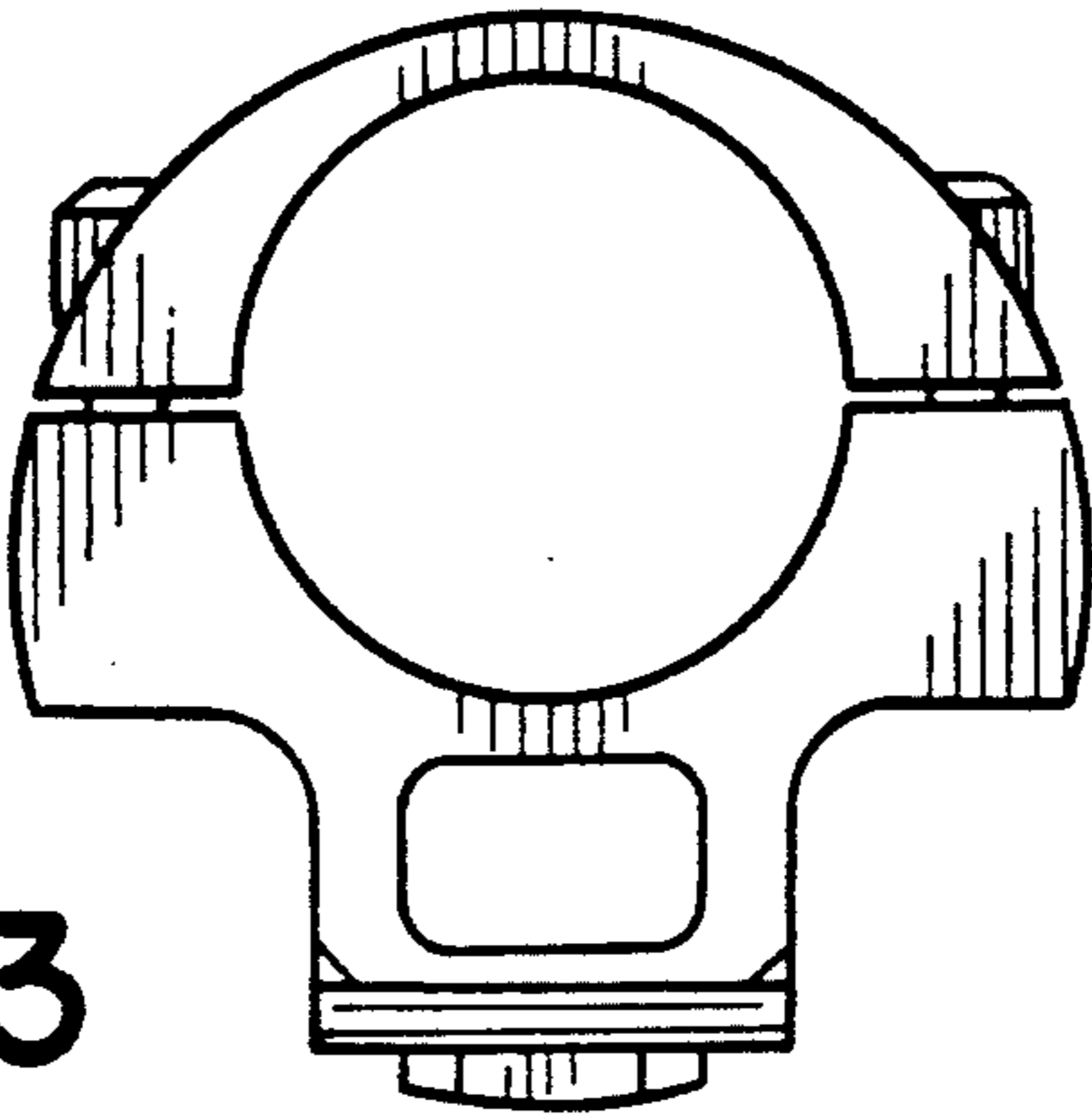


FIG. 13