



US00D346189S

United States Patent [19]

[11] Patent Number: **Des. 346,189**

Chen

[45] Date of Patent: **** Apr. 19, 1994**

[54] EXERCISE BENCH

[76] Inventor: **Ko C. Chen**, Suite 1, 11F, 95-8 Chang Ping Road, Sec. 1, Taichung, Taiwan

[**] Term: **14 Years**

[21] Appl. No.: **881,552**

[22] Filed: **May 14, 1992**

[52] U.S. Cl. **D21/191**

[58] Field of Search **D6/601, 349; 482/140, 482/142, 144, 145; D21/191**

[56] References Cited

U.S. PATENT DOCUMENTS

D. 254,562	3/1980	Pearo	D21/195
D. 262,810	1/1982	Lynn	D21/191
D. 300,337	3/1989	Brentham	D21/195
D. 317,236	6/1991	Dixon	D6/601
4,508,335	4/1985	Kelley et al.	482/140
4,546,967	10/1985	Kecala	482/97

FOREIGN PATENT DOCUMENTS

269098 6/1989 German Democratic Rep. 482/142

OTHER PUBLICATIONS

Marcy Catalog, 1982, p. 19, 11A14, Abdominal Boards.
Marcy Catalog, 1984, pp. 8 and 9, 11A14, Slant Board.

Primary Examiner—Bernard Ansher

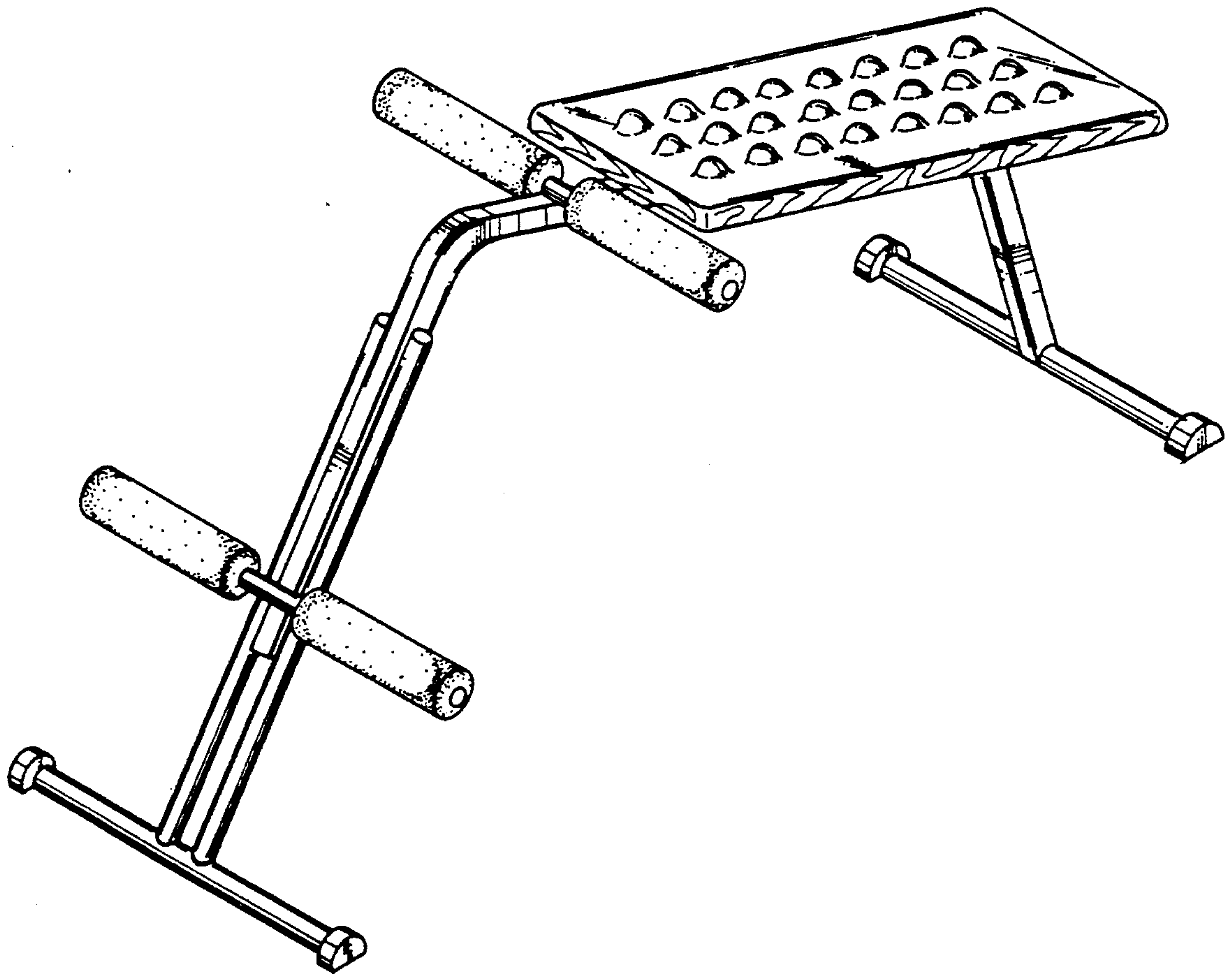
Assistant Examiner—Philip Hyder

[57] CLAIM

The ornamental design for an exercise bench, as shown.

DESCRIPTION

FIG. 1 is a perspective view of an exercise bench;
FIG. 2 is a left side view of FIG. 1;
FIG. 3 is a rear view of FIG. 1;
FIG. 4 is a front view of FIG. 1;
FIG. 5 is a top view of FIG. 1; and,
FIG. 6 is a bottom view of FIG. 1.



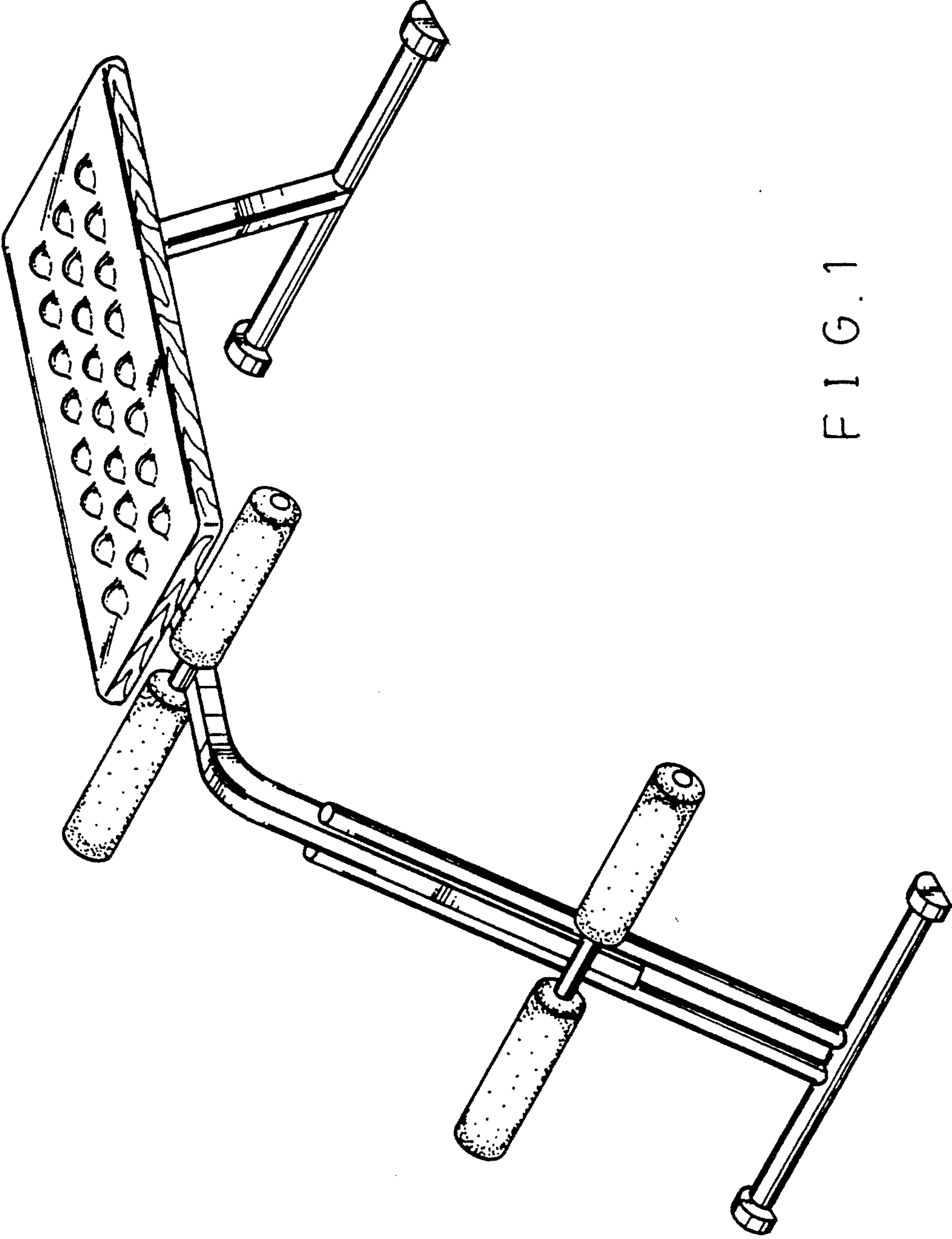


FIG. 1

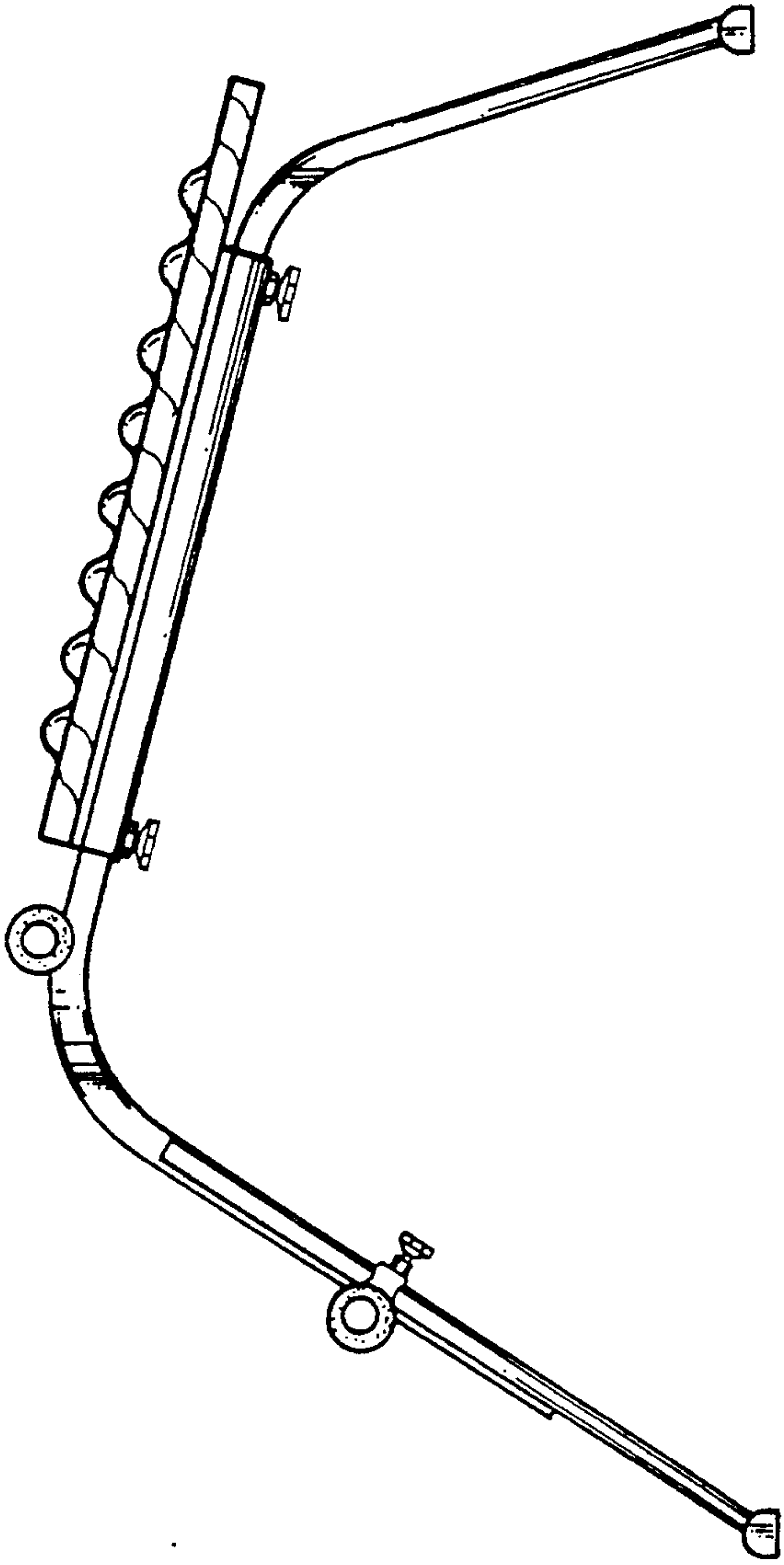


FIG. 2

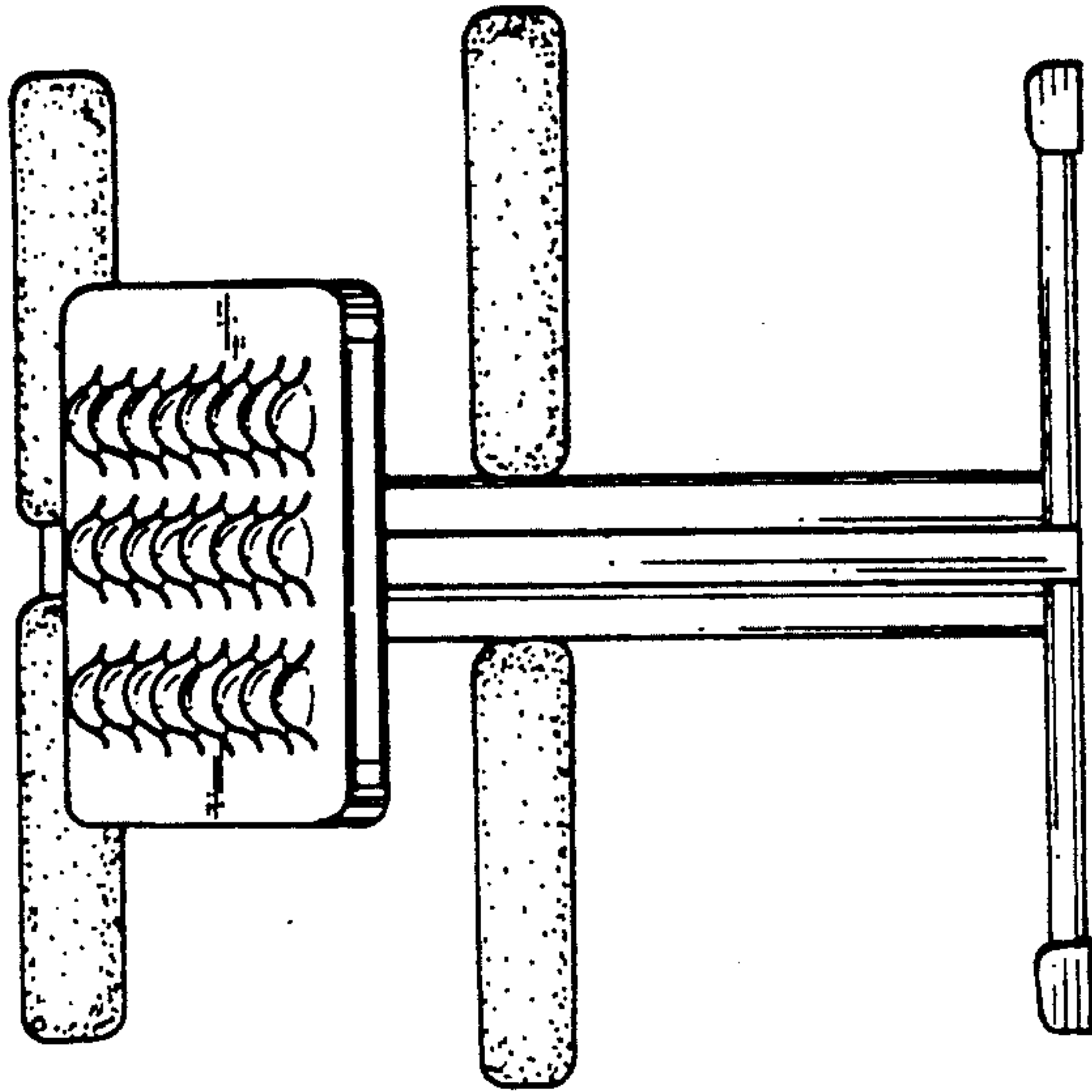


FIG. 3

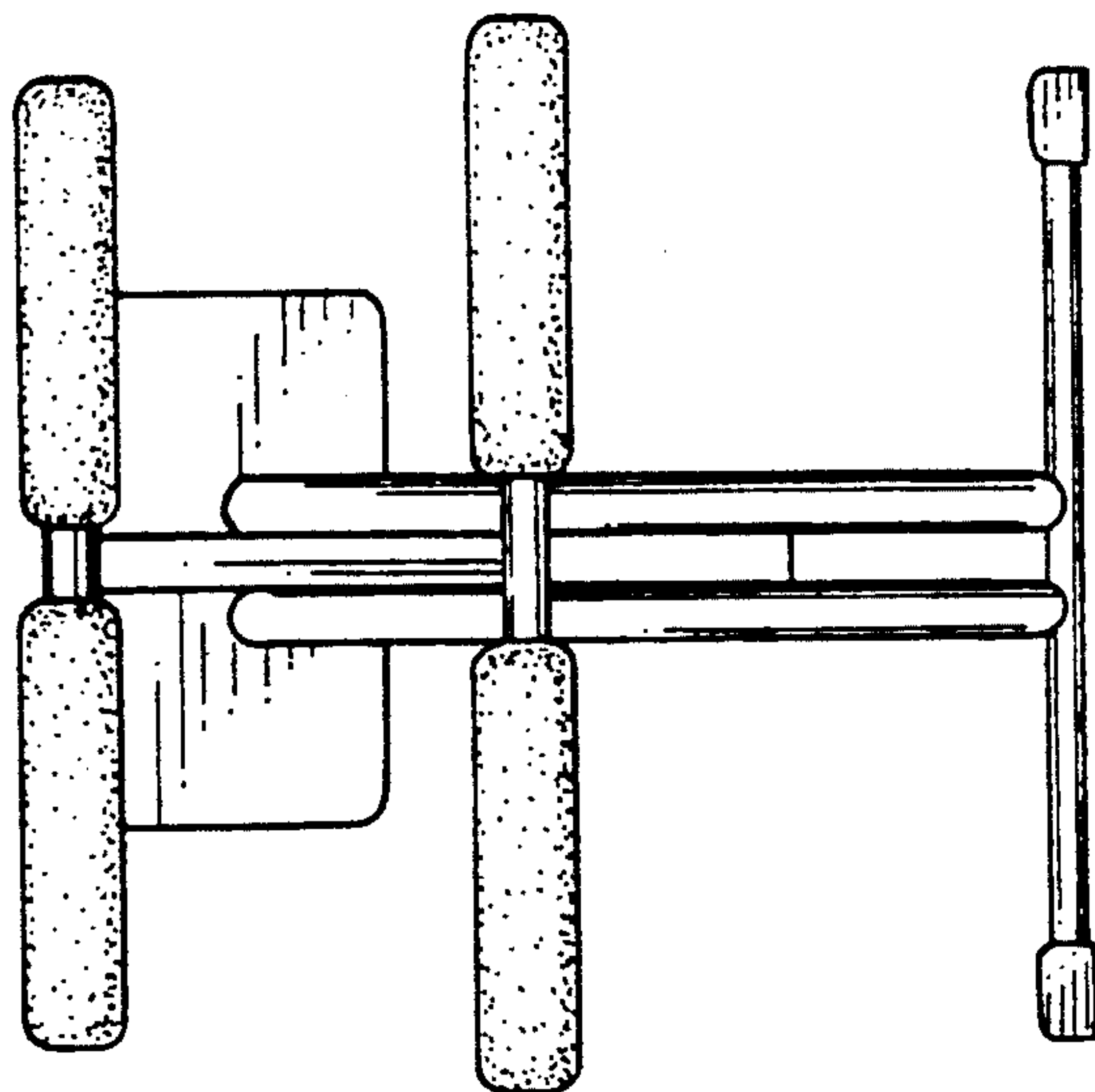


FIG. 4

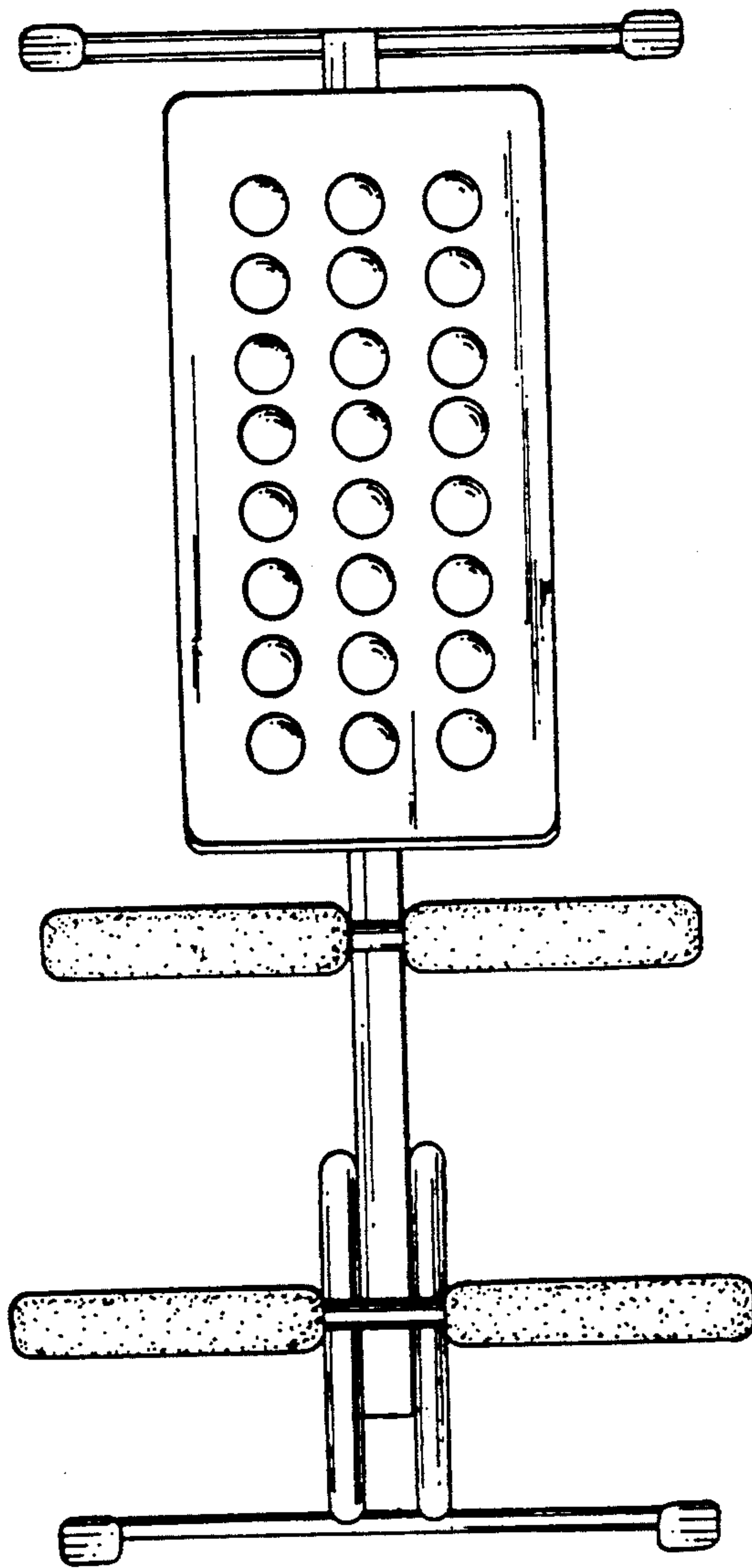


FIG. 5

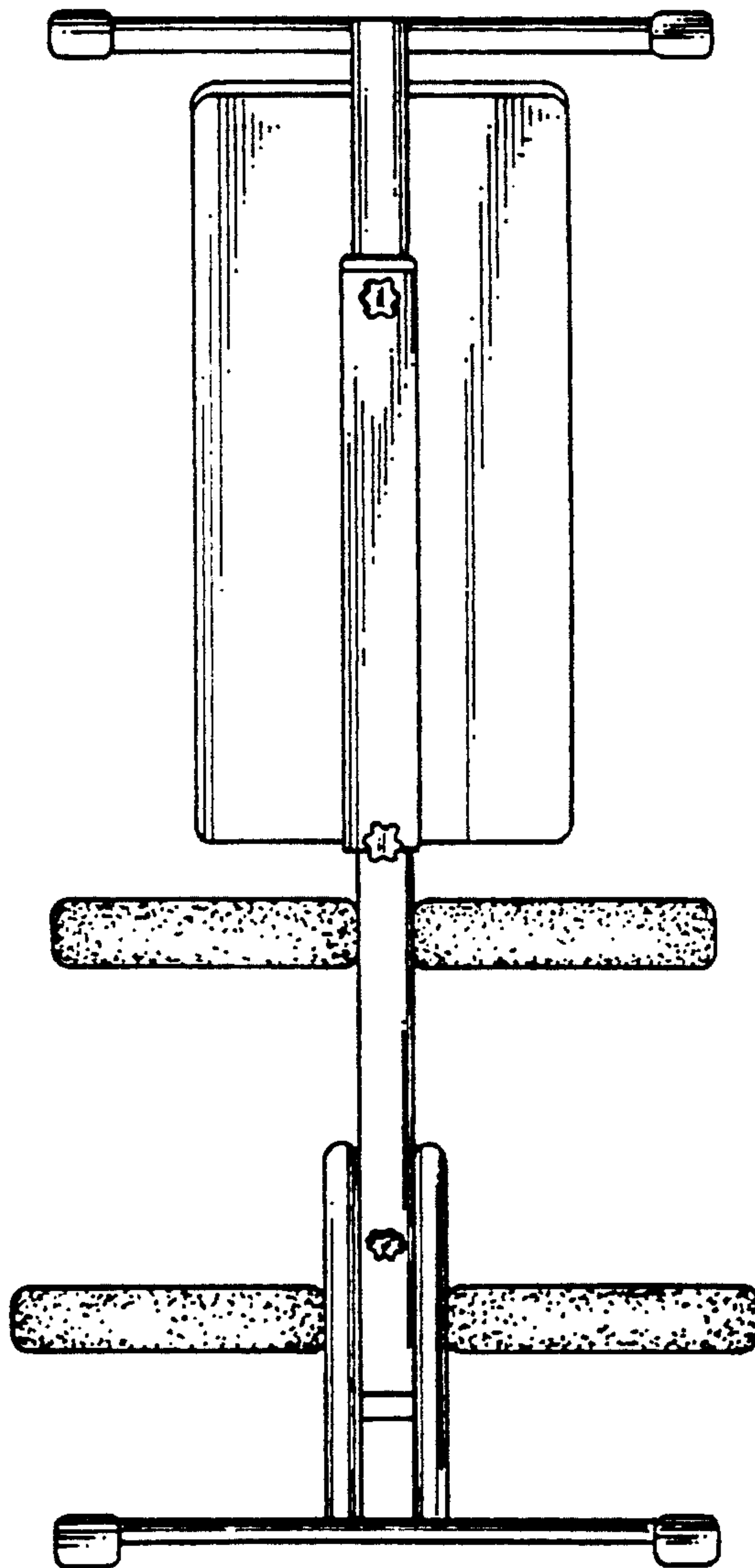


FIG. 6